

**WATER**  
**BOOK**  
Aquatech  
Edition  
2025

*Professional water filtration  
and treatment.*





*All the Shapes of Water*





# THE WORLD OF WATER

## WaterLine

WaterLine is a company in Rubiera (RE), part of the Solido Group. Thanks to a focus on technological innovation, the constant development of the range and a commercial policy aimed exclusively at professional water treatment and swimming pool operators, the company is now a major player in national and international markets. WaterLine has three divisions: Professional Water Treatment, Swimming Pools and Point of Use. The latter produces a complete line of microfiltration and ultrafiltration filters under the brand name Oceano, softeners for the Ho.re.Ca. market under the brand name Aroma, a series of reverse osmosis devices under the brand name "WateRO", and a wide range of dispensers under the brand name Bevco,

A complete offer for the Ho.re.Ca., vending, office and home markets.

The Professional Water Treatment division offers professionals a wide range of water treatment components and devices for both home and industrial applications. Filter cartridges, valves of the most established brands, pressure vessels, brine vats, RO membranes, reverse osmosis systems, ion exchange resins, filter media, softeners in pre-assembled kits.

1990



WaterLine was founded



2005



Acquisition of AMG Filters



2007



Acquisition of Brewservice



2010



Acquisition of Nuti and, following the merger with Brewservice, establishment of Bevco







**QUALITY**



**INNOVATION**



**CARE FOR  
THE CUSTOMER**



**RELIABILITY**

**2012**



**Acquisition  
of Plastik**



**2017**



**Bevco Acquires  
CEM Industries**



**2019**



**Acquisition  
of Berbex**



**2022**



**Fusion  
AMG-Plastik**



# General index

**1.0**

*Filtration for home use, professional and accessories*

8

**2.0**

*Filter cartridges and containers*

50

**3.0**

*Industrial Filters in steel*

98

**4.0**

*UV sterilizers*  
• Polyphosphate dispensers  
• Magnetic dirt separator filters  
• Condensate neutralizers

106

**9.0**

*Runxin valves*

240

**10.0**

*Canature valves*

262

**11.0**

*Pressure cylinders and distribution systems. Manual valves*

268

**12.0**

*Cabinet vats brine and softening accessories*  
• Hydropneumatic and manual valves

284

**17.0**

*Plastic fittings*

376

**18.0**

*Column softeners and filters in kits pre-assembled*

394

**19.0**

*Dispenser for domestic and professional use. Accessories*

412





**5.0**

*Clack valves*

114

**6.0**

*Autotrol valves*

184

**7.0**

*Fleck valves*

196

**8.0**

*Siata valves*

228

**13.0**

*Microfiltration •  
Osmosis systems  
reverse.  
Accessories  
and spare parts*

302

**14.0**

*Sistemi di  
dosaggio  
e analisi*

332

**15.0**

*Membranes  
RO - NF - UF,  
containers e  
accessories*

346

**16.0**

*Ion exchange  
resins, filter  
materials and  
chemicals*

366

### **General Conditions of Sale and Warranty**

*To consult the general conditions of sale and warranty, please refer to the information contained in the specific section of the website: [www.waterline.it](http://www.waterline.it)  
For more information you can contact us at [info@waterline.it](mailto:info@waterline.it)*









# 1.0










































*Filtration for domestic  
and professional use  
and accessories*

## DRINKING WATER TREATMENT FILTERS

OCEANO filters are an advanced and unique filtration system for the improvement of drinking water. OCEANO uses, on the base of different models, several filtration technologies as by precoat membrane, carbon block, melt blown, GAC and ultrafiltration with hollow fiber.

1.0

Filtration for domestic and professional use and accessories

Features		Filters		ON36	ON35	ON10 ON12	ON25 ON27	ON16 ON18	
				Precoat System 0,5µm	Precoat System 0,5µm	CBS Ag 0,3µm	CBS 0,5µm+ UF Membrane	CBS Ag 0,5µm	
Connection		BAYO							
		STEM							
		HF							
Format		S	Box 6 pcs	Pallet cm 120x80x165H n° 576 pcs					
		M	Box 6 pcs	Pallet cm 120x80x165H n° 384 pcs					
		V							
		L	Box 6 pz/pcs	Pallet cm 120x80x165H n° 288 pcs					
		Mini	Box 12 pz/pcs	Pallet cm 120x80x160H n° 1344 pcs					
		X	Box 1 pz/pcs	Pallet cm 120x80x155H n° 72 pcs					
Head		XX	Box 1 pz/pcs						
		XL	Box 1 pz/pcs	Pallet cm 120x80x155H n° 72 pcs					
		XXL	Box 1 pz/pcs	Pallet cm 120x80x155H n° 72 pcs					
		3XXL	Box 1 pz/pcs						
					<b>PPO</b>	<b>PPO</b>	<b>PPO</b>	<b>PPO</b>	<b>PPO</b>
Filter body				<b>PP</b>	<b>PP</b>	<b>PP</b>	<b>PP</b>	<b>PP</b>	
Page				<b>19</b>	<b>20</b>	<b>21</b>	<b>23</b>	<b>22</b>	





# MICROFILTRATION

## ARAGO 100

**Arago 100** Filter can be used for the preparation of hot beverages and improves the vaporization of hot beverages in ovens.

Carbonatic hardness reduction for hot beverage applications.

No pH change.

In-built mixing valve.

In-built flushing valve.

OAKIT



Prodotto conforme al DM25/2015 DM174/04



### Features


- Arago 100 adopts a filtration technology which uses special carboxylic resins able to reduce carbonate hardness, combined with a treatment with activated carbon.
- The integrated mix valve allows the adjustment of the percentage of water treated with resins, while all the water is always treated with activated carbon.
- In this way it is possible to regulate the reduction of the hardness of the water which can be modulated according to the needs of use and the characteristics of the input water.


### TECHNICAL DATA


Code	Description	Max Flow L/Min	Capacity L* L 18°f L 27°f L 36°f		
OA100X01 (X)	carbonatic hardness reduction	2,5	2.700	1.800	1.350
OA100XL01 (XL)	carbonatic hardness reduction	3	4.000	2.700	2.000
OAKIT3/8	ARAGO IN-Out connection kit with VNR 3/8" male thread	3/8			
OAKIT1/2	ARAGO IN-Out connection kit with VNR 1/2" male thread	1/2			

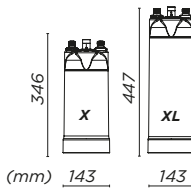
\* Capacities when used discontinuously max 0,5 l every 5 minutes. Mix Pos. 2.

Capacity and performance of the device depends highly on inlet water quality

 **Temperature**  
Min. 2 °C (35 °F) / Max 39 °C (100 °F)

 **Pressure**  
Min. 0,7 bar / Max 8,6 bar

 **Vertical & orizontal functioning**



(mm) 143      143

COMPLIANCE D.M. 25/2012  
REGULATION UE 10/2011  
REGULATION CE 1935/2004 - D.M. 174/2004





## ARAGO 110

**Arago 110 Filters** are ideal for the preparation of hot drinks and ensure optimal protection to the heating elements of professional machines.

Softening for hot and steam beverage applications.

No pH change.

High capacity.

In-built mixing valve.

OAKIT



Prodotto conforme al DM25/2015 DM174/04



### Features

- Disposable cartridges composed of mix of a cationic resins for softening combined with silver activated carbon.
- The cartridges allow to reduce the total hardness of the incoming water, preventing the formation of limescale deposits.
- The resins used, certified for the treatment of drinking water, have a high exchange capacity and do not alter the pH of the treated water
- The mix integrated in the head allows to adjust the percentage of water treated with resins, while all the water is always treated with activated carbon.
- This results in an increase in the autonomy of the appliance and a controlled and not excessive reduction in the hardness of the water which can be modulated on the needs of use and the characteristics of the incoming water.

### TECHNICAL DATA

Code	Description	Max Flow L/Min	Capacity L*		
			L 18°f	L 27°f	L 36°f
OA110X01 (X)	carbonatic hardness reduction	2,5	1.000	670	500
OA110XL01 (XL)	carbonatic hardness reduction	3	1.500	1.000	7500
OAKIT3/8	ARAGO IN-Out connection kit with VNR 3/8" male thread	3/8			
OAKIT1/2	ARAGO IN-Out connection kit with VNR 1/2" male thread	1/2			

\* Capacities when used discontinuously max 0,5 l every 5 minutes. Mix Pos. 2.

Capacity and performance of the device depends highly on inlet water quality

- Temperature**  
Min. 2 °C (35 °F) / Max 39 °C (100 °F)
- Pressure**  
Min. 0,7 bar / Max 8,6 bar
- Vertical & orizontal functioning**

COMPLIANCE D.M. 25/2012  
REGULATION UE 10/2011  
REGULATION CE 1935/2004 - D.M. 174/2004

(mm)    143      143



## ARAGO 120

**Arago 120 Filter** is suitable for demineralising water intended for technical uses.

Ideal for the electronics, galvanic and chemical industry.

Production of demineralized water for technological use.

Sediment pre-filtration.

Mixed bed resin technology.

OAKIT



Product compliant with DM25/2015 DM174/O4


### Features


- Disposable filter cartridge for the production of demineralized water.
- The special mixed bed resin removes all the salts dissolved in the inlet water.
- Demineralized water is ideal for laboratories for the correct preparation of reagents or as a rinse to clean equipment without leaving residue, as well as for the demineralization of finishing water coming from reverse osmosis or ion exchange systems and for use in steam ovens.


### TECHNICAL DATA

Code	Description	Max Flow L/Min	Capacity L*
OA120X00 (X)	Demineralizing pre-filtration	1,5	1.000
OA120XL00 (XL)	Demineralizing pre-filtration	3	1.500
OAKIT3/8	ARAGO IN-Out connection kit with VNR 3/8" male thread	3/8	
OAKIT1/2	ARAGO IN-Out connection kit with VNR 1/2" male thread	1/2	

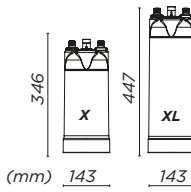
\* Capacity and performance of the device depends highly on inlet water quality (typical values at 400 µs/cm)

 **Temperature**  
Min. 2 °C (35 °F) / Max 39 °C (100 °F)

 **Pressure**  
Min. 0,7 bar / Max 8,6 bar

 **Vertical & orizontal functioning**

COMPLIANCE  
DIN EN 13060 - DIN EN 285



(mm) 143      143



## ARAGO 130

The **Arago 130** filter was designed specifically for the treatment of beverage preparation water. It allows you to eliminate chlorine odors and unpleasant tastes from your water.

Prefiltration for appliance and system.

Bacteriostatic action.

Low pressure drop.

Reduces chlorine.

Granular activated carbon (GAC) removes bad taste and odours.

Product compliant with DM25/2015 DM174/04

OAKIT



### Features

- Disposable cartridges consisting of a filter medium of granular activated carbon (GAC) treated with silver with bacteriostatic effect.
- The filter also has a nominal filtration degree for sediments of 50 µm and can therefore be used as a prefiltration stage.

### DATI TECNICI/TECHNICAL DATA

Code	Description	Max Flow L/Min	Capacity L*
QA130X00 (X)	Prefiltration	10	76.000
QA130XL00 (XL)	Prefiltration	10	114.00
OAKIT3/8	ARAGO IN-Out connection kit with VNR 3/8" male thread	3/8	
OAKIT1/2	ARAGO IN-Out connection kit with VNR 1/2" male thread	1/2	

\* Capacity and performance of the device depends highly on inlet water quality

**Temperatura/Temperature**  
Min. 2 °C (35 °F) / Max 39 °C (100 °F)

**Pressione/Pressure**  
Min. 0,7 bar / Max 8,6 bar

**Funzionamento verticale e orizzontale**  
Vertical & orizontal functioning

COMPLIANCE D.M. 25/2012  
REGULATION UE 10/2011  
REGULATION CE 1935/2004 D.M. 174/2004

(mm) 143      143



# 1.0

Filtration for domestic and professional use and accessories



# OCEANO FILTERS

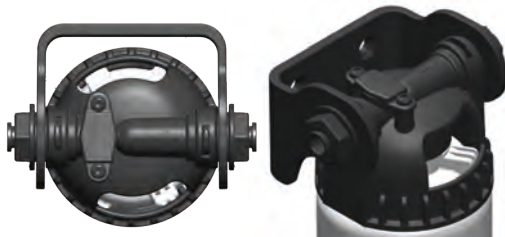
## OK03 | MINI FILTER

OCEANO  
MADE IN ITALY

Tiny filter with tilting head.

Shut-off valve inside.

Removes bad taste and odours.

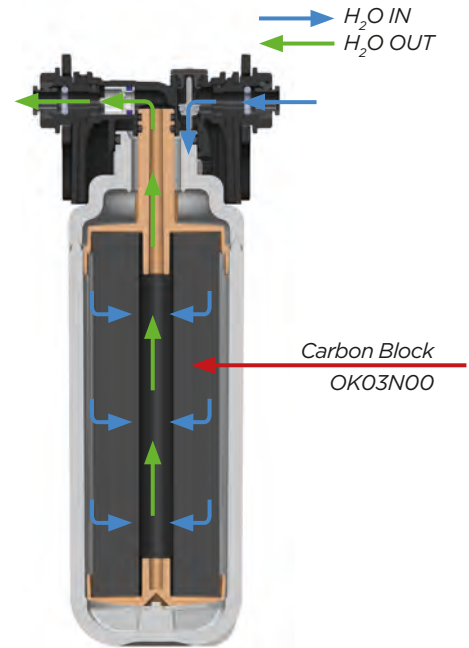


Head detail

Product compliant with  
DM25/2015 - DM174/04



MINI



### Features

- Thanks to its very small size, it is ideal for installations in confined spaces such as internal compartments of Water dispensers.
- It consists of a filter head with tilting bracket (complete with non-return valve at the outlet and automatic shut-off flow closure system) and a disposable cartridge with bayonet connection.
- The OK03 filter technology allows the dechlorination and sediment reduction of drinking water by means of a 0,5µm carbon Block element treated with silver ions for bacteriostatic action.
- IN/OUT connections with 6 mm hose quick couplings, 8 mm on request.

### OK03 BAYO

Code	Description	Max flow l/min.	Capacity l	€
OK03N00	Mini Filter CBS 0,5µm Bayo	2	3.500	
OKT3200	Filter Head Mini Ø 6 with tilting bracket	-	-	
OKT3300	Filter Head Mini Ø 8 with tilting bracket	-	-	



\* Capacity and performance of the device depends highly on inlet water quality

Temperature  
**Min. 2 °C (35 °F) / Max 39 °C (100 °F)**

Pressure  
**Min. 0,7 bar / Max 8,6 bar**

Vertical and horizontal functioning

(mm)    255    371    528

          88    88    88

**PPO**  
Head

**pp**  
Filter body

MADE IN ITALY

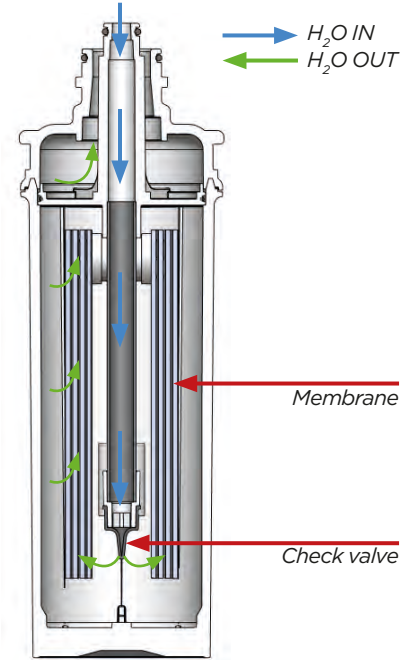
1.0 Filtration for domestic and professional use and accessories

## ON36 | ORECOAT AG 0.5µm

High filtration surface for turbid water or with chlorine.  
Removes bad taste and odours.  
Ideal for home and Ho.Re.Ca.

**NSF** Product tested and certified in compliance with NSF/ANSI 42 with specific tests on flow rate, filtration efficiency (Particulate Class I, II Reduction) and chlorine retention (Chlorine Reduction)

Product compliant with DM25/2015 - DM174/04



### Features

- Disposable cartridge with bayonet quick coupling that uses Precoat Ag 0,5µm technology.
- Thanks to the high surface membrane and powdered activated carbon, it removes turbidity from the water (nominal filtration 0,5µm) chlorine, taste and smells.
- The bacteriostatic element (granular activated carbon treated with silver) reduces microbial growth.

### ON36 BAYO

Code	Description	Max flow l/min.	Capacity l	€
ON36S00	ON36 Small Precoat System 0,5µm + Ag Bayo	3	5.000	
ON36M00	ON36 Medium Precoat System 0,5µm + Ag Bayo	6	11.000	
ON36L00	ON36 Large Precoat System 0,5µm + Ag Bayo	8	34.000	



\* Capacity and performance of the device depends highly on inlet water quality

**Temperature**  
Min. 2 °C (35 °F) / Max 39 °C (100 °F)

**Pressure**  
Min. 0,7 bar / Max 8,6 bar

Vertical and horizontal functioning

(mm)

S: 255 height, 88 width  
M: 371 height, 88 width  
L: 528 height, 88 width

**PPO**  
Head

**pp**  
Filter body

MADE IN ITALY

## ON35 | PRECOAT 0.5µm

High filtration surface for turbid water or with chlorine.

Removes bad taste and odours.

Ideal for home and Ho.Re.Ca.

**NSF** Product tested and certified in compliance with NSF/ANSI 42 with specific tests on flow rate, filtration efficiency (Particulate Class I, II Reduction) and chlorine retention (Chlorine Reduction)

Prodotto conforme al DM25/2015 - DM174/04  
Product compliant with DM25/2015 - DM174/04



SMALL

MEDIUM

LARGE

BAYO

### Features

- Disposable cartridge with bayonet quick coupling that uses Precoat 0,5µm technology.
- Thanks to the high surface membrane and powdered activated carbon, it removes turbidity from the water (nominal filtration 0,5µm) chlorine, taste and smells.
- Product tested and certified in compliance with NSF/ANSI 42 with specific tests on flow rate, filtration efficiency (Particulate Class I, II Reduction) and chlorine retention (Chlorine Reduction)

### ON35 BAYO

Code	Description	Portata max. Max flow l/min.	Autonomia Capacity l	€
ON35S00	ON35 Small Precoat System 0,5µm Bayo	3	5.000	
ON35M00	ON35 Medium Precoat System 0,5µm Bayo	6	11.000	
ON35L00	ON35 Large Precoat System 0,5µm Bayo	8	34.000	



\* Capacity and performance of the device depends highly on inlet water quality

**Temperature**  
Min. 2 °C (35 °F) / Max 39 °C (100 °F)

**Pressure**  
Min. 0,7 bar / Max 8,6 bar

Vertical and horizontal functioning

(mm)    88    88    88

**PPO**  
Head

**pp**  
Filter body

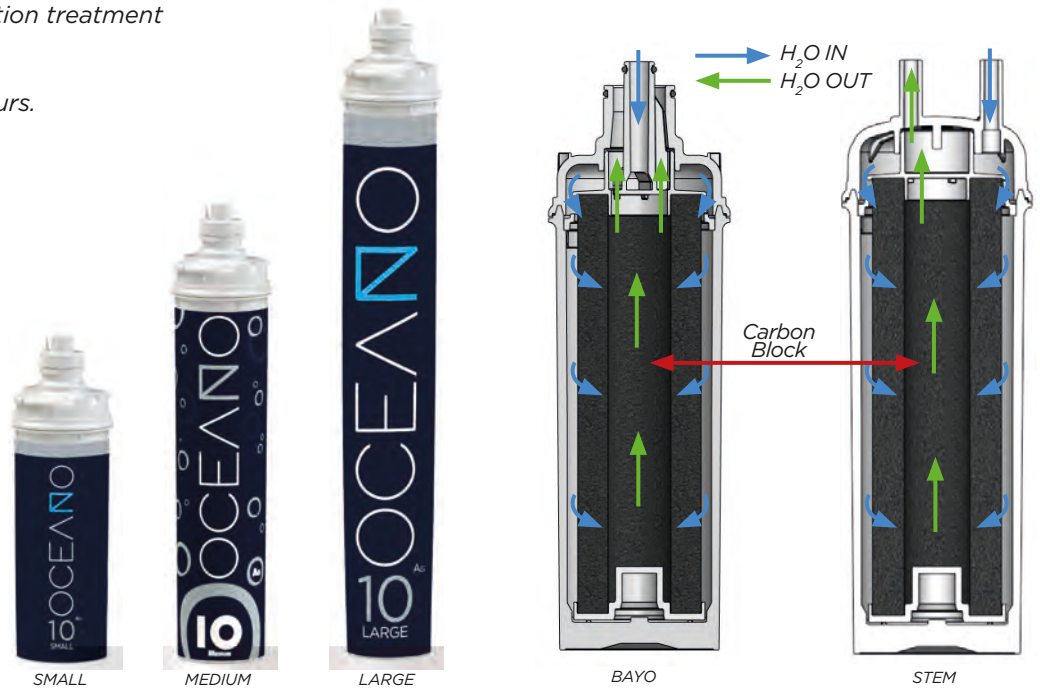
MADE IN ITALY

# ON10 ON12 | SINTERED CARBON BLOCK AG 0.3µm

Optimal grade of microfiltration treatment for drinking water.

Removes bad taste and odours.

Reduces chlorine.



Product compliant with DM25/2015 DM174/04 ACS and WRAS

### Features

- Disposable cartridges with special 0.3µm sintered Carbon Block technology.
- They remove turbidity (nominal filtration degree 0,3µm), chlorine, taste and odors from the water.
- The silver molecules present in the filter structure have a bacteriostatic action.
- The cartridges reduce organic substances and heavy metals.
- The Bayo version has a quick bayonet connection, while the Stem version has IN/OUT male connections with 10 mm tube.

### ON10 BAYO

Code	Description	Max flow	Capacity	€
		l/min.	l	
ON10S00	ON10 Small Sintered Carbon Block Ag 0,3µm Bayo	3	5.000	
ON10M00	ON10 Medium Sintered Carbon Block Ag 0,3µm Bayo	6	11.000	
ON10L00	ON10 Large Sintered Carbon Block Ag 0,3µm Bayo	8	22.000	

### ON10 HF

Code	Description	Max flow	Capacity	€
		l/min.	l	
ON10S3M	ON10 Small Sintered Carbon Block Ag 0,3µm HF	3	5.000	
ON10M3M	ON10 Medium Sintered Carbon Block Ag 0,3µm HF	6	11.000	
ON10L3M	ON10 Large Sintered Carbon Block Ag 0,3µm HF	8	22.000	

### ON12 STEM

Code	Description	Max flow	Capacity	€
		l/min.	l	
ON12S00	ON12 Small Sintered Carbon Block Ag 0,3µm Stem	3	5.000	
ON12M00	ON12 Medium Sintered Carbon Block Ag 0,3µm Stem	6	11.000	
ON12L00	ON12 Large Sintered Carbon Block Ag 0,3µm Stem	8	22.000	

\* Capacity and performance of the device depends highly on inlet water quality



**Temperature**  
Min. 2 °C (35 °F) / Max 39 °C (100 °F)

**Pressure**  
Min. 0,7 bar / Max 8,6 bar

Vertical and horizontal functioning

**PPO**  
Head

**pp**  
Filter body

MADE IN ITALY

1.0 Filtration for domestic and professional use and accessories



## ON16 ON18 | SINTERED CARBON BLOCK AG 0.5µm

Optimal grade of microfiltration treatment for drinking water.

Removes bad taste and odours.

Reduces chlorine.



Product compliant with DM25/2015  
DM174/04 - NSF/ANSI 42 - ACS e WRAS

SMALL

MEDIUM

LARGE

BAYO

STEM

### Features

- Disposable cartridges with special 0.5µm sintered Carbon Block technology.
- They remove turbidity (nominal filtration degree 0,5µm), chlorine, taste and odors from the water.
- The silver molecules present in the filter structure have a bacteriostatic action.
- The cartridges reduce organic substances and heavy metals.
- The Bayo version has a quick bayonet connection, while the Stem version has IN/OUT male connections with 10 mm tube.

### ON16 BAYO

Code	Description	Max flow l/min.	Capacity l	€
ON16S00	ON16 Small Sintered Carbon Block AG. 0,5µm Bayo	3	11.000	
ON16M00	ON16 Medium Sintered Carbon Block AG. 0,5µm Bayo	6	24.000	
ON16L00	ON16 Large Sintered Carbon Block AG. 0,5µm Bayo	8	36.000	

### ON16 HF

Code	Description	Max flow l/min.	Capacity l	€
ON16S3M	ON16 Small Sintered Carbon Block AG. 0,5µm HF	3	11.000	
ON16M3M	ON16 Medium Sintered Carbon Block AG. 0,5µm HF	6	24.000	
ON16L3M	ON16 Large Sintered Carbon Block AG. 0,5µm HF	8	36.000	

### ON18 STEM

Code	Description	Max flow l/min.	Capacity l	€
ON18S00	ON18 Small Sintered Carbon Block AG. 0,5µm Stem	3	11.000	
ON18M00	ON18 Medium Sintered Carbon Block AG. 0,5µm Stem	6	24.000	
ON18L00	ON18 Large Sintered Carbon Block AG. 0,5µm Stem	8	36.000	



\* Capacity and performance of the device depends highly on inlet water quality

**Temperature**  
Min. 2 °C (35 °F) / Max 39 °C (100 °F)

**Pressure**  
Min. 0,7 bar / Max 8,6 bar

Vertical and horizontal functioning

**PPO**  
Head  
Filter body

MADE IN ITALY

# ON25 ON27 | SINTERED CARBON BLOCK AG 0.5µm + UF MEMBRANES

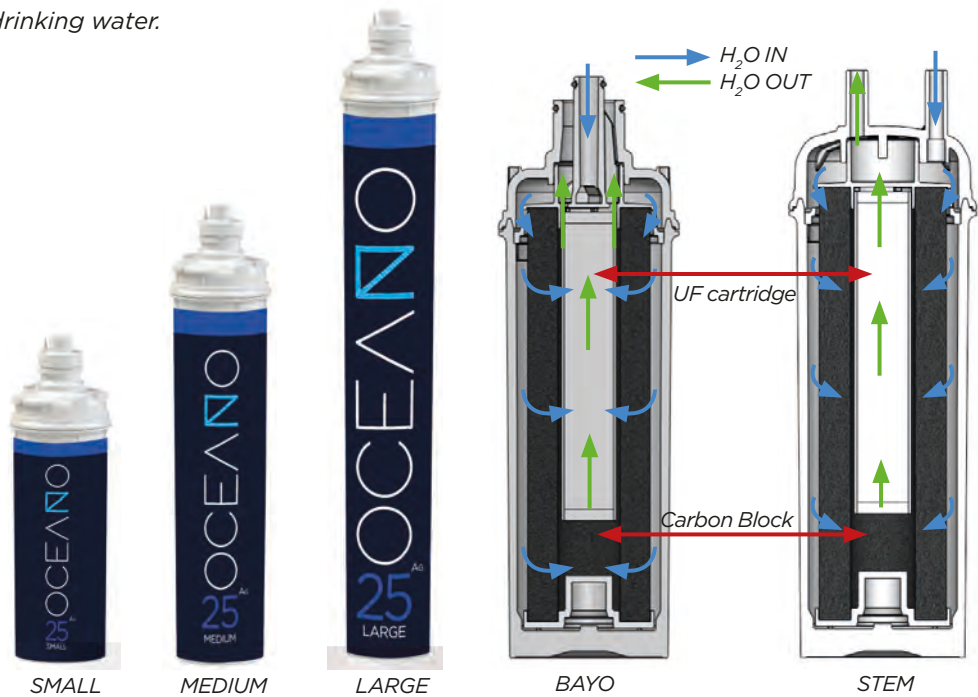
Ultrafiltration antibacterial for drinking water.

Removes bad taste and odours.

Reduces chlorine



Product compliant with DM25/2015  
DM174/04 - NSF/ANSI 42 - ACS



### Features

- Disposable cartridges that adopt a dual filtration technology: 0,5µm Ag sintered Carbon Block combined with an UltraFiltration hollow fiber membrane < 0,1µm.
- The Carbon Block element ensures dechlorination and clarification of the water, removing suspended substances, chlorine, tastes and odors.
- The subsequent UF filter element allows an effective reduction of any bacteria.
- The Bayo version is equipped with a bayonet quick coupling, while the Stem version has IN/OUT male connections with 10 mm tube.

### ON25 BAYO

Code	Description	Max flow	Capacity	€
		l/min.	l	
ON25S00	ON25 Small Sintered Carbon Block AG. 0,5µm+UF Bayo	2,5	5.500	
ON25M00	ON25 Medium Sintered Carbon Block AG. 0,5µm+UF Bayo	4,5	11.000	
ON25L00	ON25 Large Sintered Carbon Block AG. 0,5µm+UF Bayo	4,5	22.000	

### ON25 HF

Code	Description	Max flow	Capacity	€
		l/min.	l	
ON25S3M	ON25 Small Sintered Carbon Block AG. 0,5µm+UF HF	2,5	5.500	
ON25M3M	ON25 Medium Sintered Carbon Block AG. 0,5µm+UF HF	4,5	11.000	
ON25L3M	ON25 Large Sintered Carbon Block AG. 0,5µm+UF HF	4,5	22.000	

### ON27 STEM

Code	Description	Max flow	Capacity	€
		l/min.	l	
ON27S00	ON27 Small Sintered Carbon Block AG. 0,5µm+UF Stem	2,5	5.500	
ON27M00	ON27 Medium Sintered Carbon Block AG. 0,5µm+UF Stem	4,5	11.000	
ON27L00	ON27 Large Sintered Carbon Block AG. 0,5µm+UF Stem	4,5	22.000	



Capacity and performance of the device depends highly on inlet water quality

Temperature  
**Min. 2 °C (35 °F) / Max 39 °C (100 °F)**

Pressure  
**Min. 0,7 bar / Max 8,6 bar**

Vertical and horizontal functioning

**PPO**  
Head

**PP**  
Filter body

MADE IN ITALY

## ON20 ON21 | SINTERED CARBON BLOCK AG 0.5µm

Prefiltration for appliance and system.

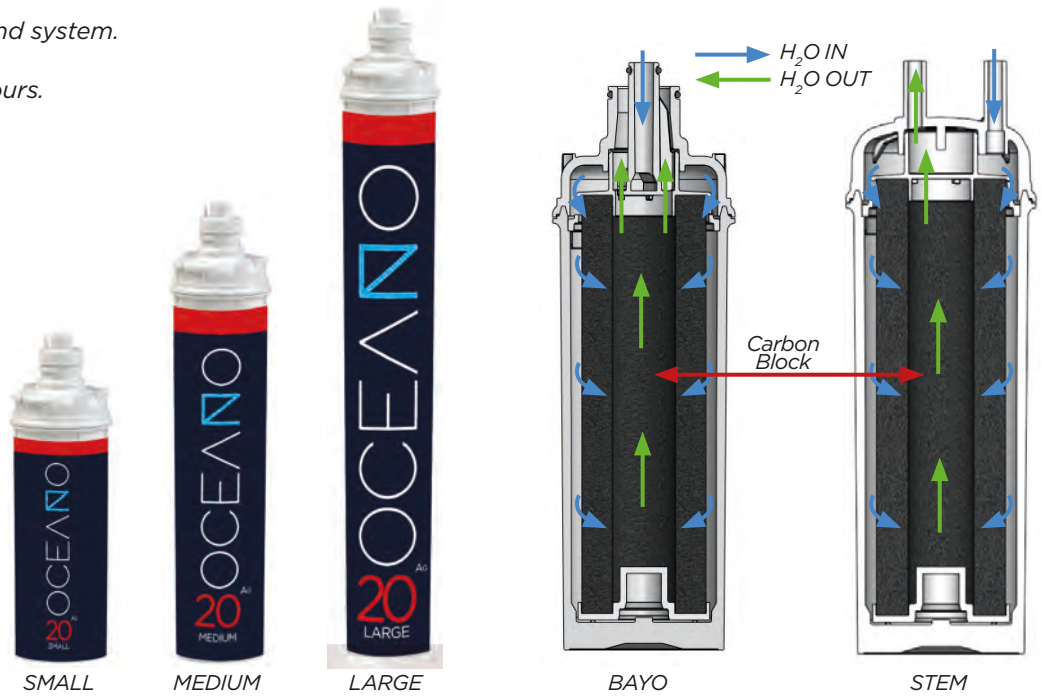
Removes bad taste and odours.

Reduces chlorine.

Low pressure drop.



Product compliant with DM25/2015  
DM174/04 - ACS e WRAS



### Features

- Disposable cartridges that adopt the special 5µm sintered Carbon Block technology.
- They remove turbidity (nominal filtration degree 5µm), chlorine, taste and odors from the water.
- The cartridge is characterized by its low pressure drop and high autonomy.
- Ideal as a prefilter for water treatment equipment.
- The Bayo version has a quick bayonet connection, while the Stem version has IN/OUT male connections with 10 mm tube.

### ON20 BAYO

Code	Description	Max flow l/min.	Capacity l	€
ON20S00	ON20 Small Sintered Carbon Block 5µm Bayo	5	14.300	
ON20M00	ON20 Medium Sintered Carbon Block 5µm Bayo	8	31.200	
ON20L00	ON20 Large Sintered Carbon Block 5µm Bayo	10	46.800	

### ON20 HF

Code	Description	Max flow l/min.	Capacity l	€
ON20S3M	ON20 Small Sintered Carbon Block 5µm HF	5	14.300	
ON20M3M	ON20 Medium Sintered Carbon Block 5µm HF	8	31.200	
ON20L3M	ON20 Large Sintered Carbon Block 5µm HF	10	46.800	

### ON21 STEM

Code	Description	Max flow l/min.	Capacity l	€
ON21S00	ON21 Small Sintered Carbon Block 5µm Stem	5	14.300	
ON21M00	ON21 Medium Sintered Carbon Block 5µm Stem	8	31.200	
ON21L00	ON21 Large Sintered Carbon Block 5µm Stem	10	46.800	



Capacity and performance of the device depends highly on inlet water quality

**Temperature**  
Min. 2 °C (35 °F) / Max 39 °C (100 °F)

**Pressure**  
Min. 0,7 bar / Max 8,6 bar

Vertical and horizontal functioning

BOX

**PPO**  
Head

**PP**  
Filter body

MADE IN ITALY



## ON30 ON31 | SEDIMENT PP 0.5µm

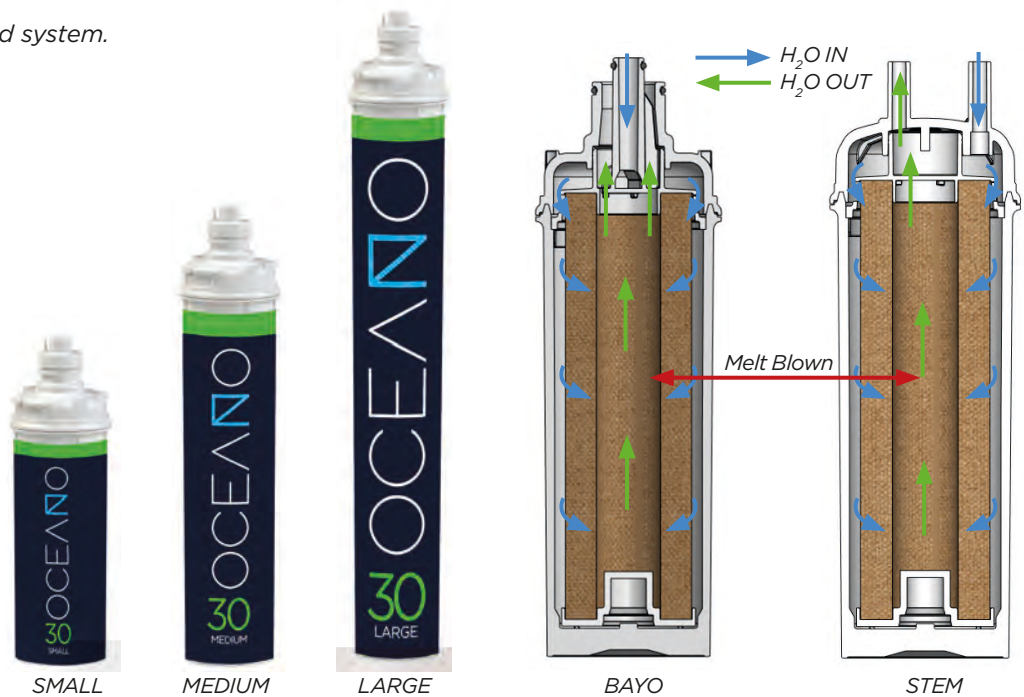
Prefiltration for appliance and system.

Reduces chlorine.

Low pressure drop.



Product compliant with DM25/2015  
DM174/04 - ACS



### Features

- Disposable cartridges that adopt the filtration technology of Melt Blown polypropylene.
- The cartridges have a nominal filtration degree of 5µm and allow the removal of suspended sediments from the water.
- They are mainly suitable as protection prefilters for domestic and industrial users, but are often installed before other filters with a higher degree of filtration.
- The Bayo version has a quick bayonet connection, while the Stem version has IN/OUT male connections with 10 mm tube.

### ON30 BAYO

Code	Description	Max flow l/min.	Capacity l	€
ON30S00	ON30 Small Sediment PP 5µm Bayo	5	14.300	
ON30M00	ON30 Medium Sediment PP 5µm Bayo	8	31.200	
ON30L00	ON30 Large Sediment PP 5µm Bayo	10	46.800	

### ON30 HF

Code	Description	Max flow l/min.	Capacity l	€
ON30S3M	ON30 Small Sediment PP 5µm HF	5	14.300	
ON30M3M	ON30 Medium Sediment PP 5µm HF	8	31.200	
ON30L3M	ON30 Large Sediment PP 5µm HF	10	46.800	

### ON31 STEM

Code	Description	Max flow l/min.	Capacity l	€
ON31S00	ON31 Small Sediment PP 5µm Stem	5	14.300	
ON31M00	ON31 Medium Sediment PP 5µm Stem	8	31.200	
ON31L00	ON31 Large Sediment PP 5µm Stem	10	46.800	



\* Capacity and performance of the device depends highly on inlet water quality

Temperature  
**Min. 2 °C (35 °F) / Max 39 °C (100 °F)**

Pressure  
**Min. 0,7 bar / Max 8,6 bar**

Vertical and horizontal functioning

**PPO**  
Head

**PP**  
Filter body

MADE IN ITALY

1.0 Filtration for domestic and professional use and accessories



## ON17 | SINTERED CARBON BLOCK AG 0.5µm +SCALE INHIBITOR

Optimal grade of microfiltration treatment for drinking water.

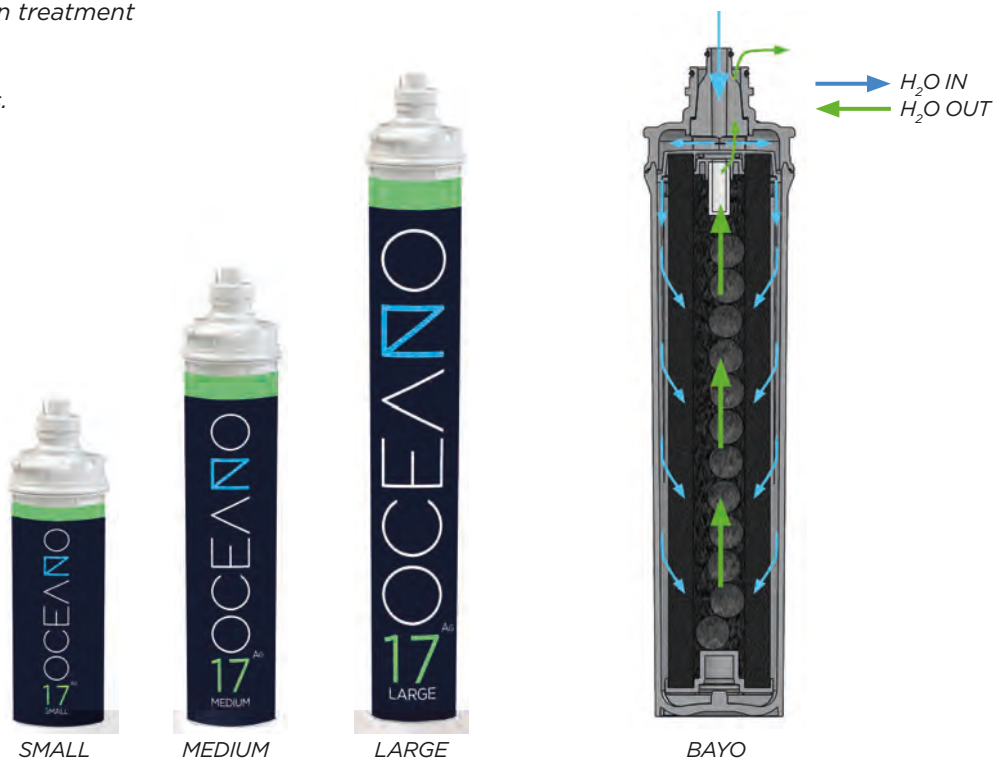
Removes bad taste and odours.

Avoid scaling and corrosion.

1.0

Filtration for domestic and professional use and accessories

Product compliant with DM25/2015 - DM174/04



### Features

- Disposable cartridges with special 0,5µm sintered Carbon Block technology with polyphosphate spheres.
- It removes turbidity (nominal filtration degree 0,5µm), chlorine, taste and odors from the water.
- The silver molecules present in the filter structure have a bacteriostatic action.
- The cartridge reduces organic substances and heavy metals, avoiding scaling and corrosion.
- The Bayo version has a quick bayonet connection, while the Stem version has IN/OUT male connections with 10 mm tube.

### ON17 BAYO

Code	Description	Max flow l/min.	Capacity l	€
ON17S00	ON17 Small CBS 0,5µm Bayo+Scale Inhibitor	3	11.000	
ON17M00	ON17 Medium CBS 0,5µm Bayo+Scale Inhibitor	6	24.000	
ON17L00	ON17 Large CBS 0,5µm Bayo+Scale Inhibitor	8	36.000	

### ON17 HF

Code	Description	Max flow l/min.	Capacity l	€
ON17S3M	ON17 Small CBS 0,5µm HF+Scale Inhibitor	3	11.000	
ON17M3M	ON17 Medium CBS 0,5µm HF+Scale Inhibitor	6	24.000	
ON17L3M	ON17 Large CBS 0,5µm HF+Scale Inhibitor	8	36.000	



\* Capacity and performance of the device depends highly on inlet water quality

**Temperature**  
Min. 2 °C (35 °F) / Max 39 °C (100 °F)

**Pressure**  
Min. 0,7 bar / Max 8,6 bar

**Vertical and horizontal functioning**

(mm)

S: 255 height, 88 width  
M: 371 height, 88 width  
L: 528 height, 88 width

**PPO**  
Head

**pp**  
Filter body

MADE IN ITALY

BOX

# ON34 | PRECOAT AG 0.5µm +SCALE INHIBITOR

High filtration surface for turbid water or with chlorine.

Removes bad taste and odours.

Ideal for home and Ho.Re.Ca.



Product tested and certified in compliance with NSF/ANSI 42 with specific tests on flow rate, filtration efficiency (Particulate Class I, II Reduction) and chlorine retention (Chlorine Reduction)

Product compliant with DM25/2015 - DM174/04



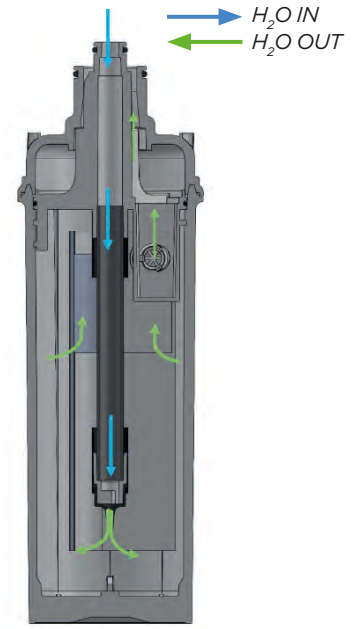
SMALL



MEDIUM



LARGE



BAYO

## Features

- Disposable cartridges that uses a consolidated technology, thanks to the high surface membrane and the activated carbon powder, removes from the water substances larger than 0,5µm from the water, smells, chlorine and derivatives, organic substances and metal compounds.
- Furthermore, the use of particular polyphosphate spheres suitable for use in foodstuffs, prevent the precipitation of calcium and magnesium carbonates, the main causes of calcareous deposits

## ON34 BAYO

Code	Description	Max flow l/min.	Capacity l	€
ON34S00	ON34 Small Precoat System 0,5µm Bayo	3	5.000	
ON34M00	ON34 Medium Precoat System 0,5µm Bayo	6	11.000	
ON34L00	ON34 Large Precoat System 0,5µm Bayo	8	34.000	



\* Capacity and performance of the device depends highly on inlet water quality

**Temperature**  
Min. 2 °C (35 °F) / Max 39 °C (100 °F)

**Pressure**  
Min. 0,7 bar / Max 8,6 bar

**Vertical and horizontal functioning**

**PPO**  
Head

**pp**  
Filter body

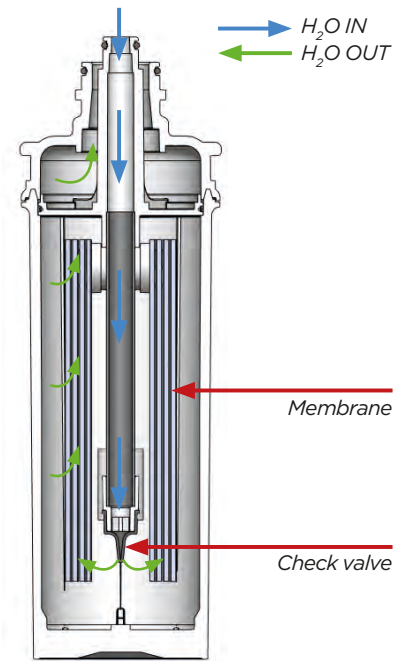
MADE IN ITALY

## OK38

High filtration surface for turbid water or with chlorine.

Removes bad taste and odours.

Reduced diameter of Ø80 mm.



SMALL

Product compliant with  
DM25/2015 - DM174/04


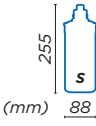



### Features

- Disposable cartridge with bayonet quick coupling that uses Precoat Ag 0,5µm technology.
- Thanks to the high surface membrane and powdered activated carbon, it removes turbidity from the water (nominal filtration 0,5µm) chlorine, taste and smells.
- The bacteriostatic element (granular activated carbon treated with silver) reduces microbial growth.
- The reduced diameter Ø80 mm makes it suitable for installation in small spaces.

Code	Description	Max flow l/min.	Capacity l	€
OK38S00	OK38 Small Precoat System 0,5µm + Ag Bayo Slim	3	5,000	



\* Capacity and performance of the device depends highly on inlet water quality

 <p>Temperature <b>Min. 2 °C (35 °F) / Max 39 °C (100 °F)</b></p>			<p><b>PPO</b> Head <b>PP</b> Filter body <b>MADE IN ITALY</b></p>
 <p>Pressure <b>Min. 0,7 bar / Max 8,6 bar</b></p>			
 <p>Vertical functioning</p>			

## ON45 ON47 / GAC AG FILTER

Low pressure drop.

Bacteriostatic action.

Granular activated carbon (GAC)

Reduces chlorine

Product compliant with DM174/04



### Features

- Disposable cartridges consisting of a filter medium of granular activated carbon (GAC) treated with silver with bacteriostatic effect.
- The filter also has a nominal filtration degree for sediments of 50µm and can therefore be used as a prefiltration stage.
- The Bayo version has a quick bayonet connection, while the Stem version has IN/OUT male connections with 10 mm tube.

### ON45 BAYO

Code	Description	Max flow l/min.	Capacity l	€
ON45S00	ON45 Small GAC Ag filter Bayo	5	19.000	
ON45M00	ON45 Medium GAC Ag filter Bayo	8	38.000	
ON45L00	ON45 Large GAC Ag filter Bayo	10	64.500	



### ON47 STEM

Code	Description	Max flow l/min.	Capacity l	€
ON47S00	ON47 Small GAC Ag filter Stem	5	19.000	
ON47M00	ON47 Medium GAC Ag filter Stem	8	38.000	
ON47L00	ON47 Large GAC Ag filter Stem	10	64.500	



\* Capacities when used discontinuously max 0,5 l every 5 minutes - Capacity and performance of the device depends highly on inlet water quality

Temperature  
**Min. 2 °C (35 °F) / Max 39 °C (100 °F)**

Pressure  
**Min. 0,7 bar / Max 8,6 bar**

Vertical functioning

(mm)

**PPO**  
Head

**pp**  
Filter body

MADE IN ITALY

BOX



## ON40 ON42 | ANTI NITRATES

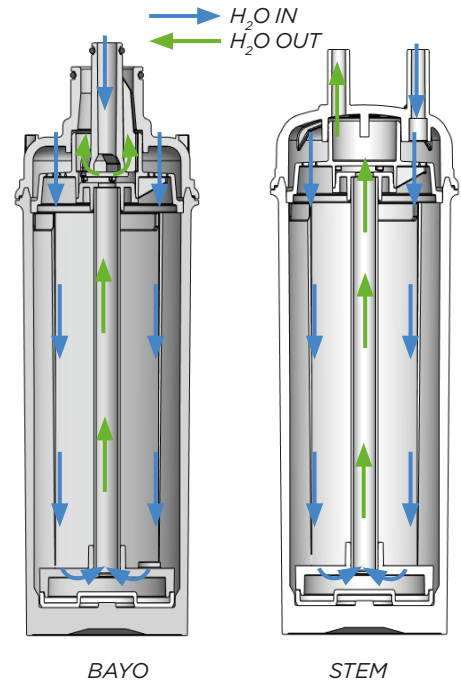
Selective nitrate removal.

Certified macroporous resin.

Low pressure drop.



Product compliant with DM174/04



### Features

- Disposable cartridges made of special ion exchange resins for the reduction of nitrates.
- The resin used allows excellent kinetic exchange, high resistance to physical, thermal and osmotic shocks as well as to organic fouling.
- Filter element to retain any suspended particles.
- The Bayo version has a quick bayonet connection, while the Stem version has IN/OUT male connections with 10 mm tube.

### ON40 BAYO

Code	Description	Max flow			Capacity	€
		l/min.	30mg/l NO <sub>3</sub>	40mg/l NO <sub>3</sub>		
ON40S00	ON40 Small Anti-Nitrates Bayo	0,7	520	390	310	
ON40M00	ON40 Medium Anti-Nitrates Bayo	1,5	1.035	775	620	
ON40L00	ON40 Large Anti-Nitrates Bayo	2,5	1.760	1.320	1.055	

### ON42 STEM

Code	Description	Max flow			Capacity	€
		l/min.	30mg/l NO <sub>3</sub>	40mg/l NO <sub>3</sub>		
ON42S00	ON42 Small Anti-Nitrates Stem	0,7	520	390	310	
ON42M00	ON42 Medium Anti-Nitrates Stem	1,5	1.035	775	620	
ON42L00	ON42 Large Anti-Nitrates Stem	2,5	1.760	1.320	1.055	



\* Capacities when used discontinuously max 0,5 l every 5 minutes - Capacity and performance of the device depends highly on inlet water quality

Temperature  
**Min. 2 °C (35 °F) / Max 39 °C (100 °F)**

Pressure  
**Min. 0,7 bar / Max 8,6 bar**

Vertical functioning

**PPO**  
Head

**pp**  
Filter body

MADE IN ITALY

1.0 Filtration for domestic and professional use and accessories

## ON46 PFAS REMOVAL

Filtration with perfluoroalkyl removal (PFAS).

Removes bad taste and odours.

Reduces chlorine.



Product compliant with DM174/04

### Features

- Disposable cartridge, a column of specific resins for the treatment of PFAS
- The resins used, certified for the treatment of drinking water, have a high exchange capacity and do not alter the pH of the treated water.
- In addition to the resins, the cartridge is complete with granular carbon capable of removing residual chlorine, odors, flavors as well as any suspended particles.
- We recommend replacing the cartridge at the end of its nominal autonomy, or if the flow is too slow.
- The cartridge must however be replaced every 6 months after its installation.
- To properly activate the cartridge, open the inlet valve and dispense for at least five minutes.

### ON46 PFAS BAYO

Code	Description	Max flow l/min.	Capacity l	€
ON46M00	ON46 PFAS Medium Filter Bayo	2	11.000	
ON46L00	ON46 PFAS Large Filter Bayo	2	16.000	



\* Autonomy with discontinuous use max 2l every 5 minutes.  
The autonomy and performance characteristics of the appliance strongly depend on the quality of the incoming water

<p>Temperature <b>Min. 2 °C (35 °F) / Max 39 °C (100 °F)</b></p>			<p><b>PPO</b> Head</p> <p><b>pp</b> Filter body</p> <p>MADE IN ITALY</p>
<p>Pressure <b>Min. 0,7 bar / Max 8,6 bar</b></p>			
<p>Vertical functioning</p>			

## ON80 | MINERALIZATION FILTER

Water remineralization with calcium and magnesium.

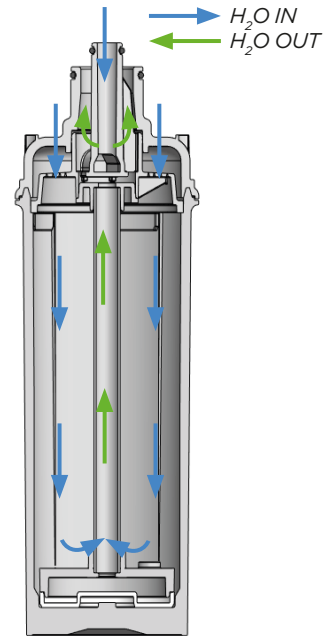
Increases pH.

Improve water taste.

Osmosis post filter.



MEDIUM



BAYO

Product compliant with DM174/04

### Features

- Disposable cartridge with a quick bayonet connection consisting of Calcium and Magnesium mineral granules combined with a filtering media for the retention of small suspended particles present in the water.
- The system allows the reduction of water acidity by neutralizing the dissolved CO<sub>2</sub> and transforming it into calcium and magnesium salts.
- The filter is mainly designed as a post-filter for reverse osmosis equipment.

### ON80 BAYO

Code	Description	Max flow l/min.	Capacity l	€
ON80M00	ON80 Medium Mineralization Filter Bayo	5	24.000	



Capacity and performance of the device depends highly on inlet water quality

<p>Temperature <b>Min. 2 °C (35 °F) / Max 39 °C (100 °F)</b></p>		<p><b>PPO</b> Head</p> <p><b>pp</b> Filter body</p> <p><b>MADE IN ITALY</b></p>
<p>Pressure <b>Min. 0,7 bar / Max 8,6 bar</b></p>		
<p>Vertical functioning</p>		

# ON455 OK57 | OMEGA PLUS - STRONG CATION

Softening for hot and steam applications.

No pH change.

High capacity.

Product compliant with DM174/O4



MEDIUM



EXTRA LARGE

## Features

- Disposable cartridges composed of a column of strong cationic resins for softening.
- The cartridges allow to reduce the total hardness of the incoming water by preventing the formation of scaling deposits.
- The resins used, certified for the treatment of drinking water, have a high exchange capacity and do not alter the pH of the treated water.
- In addition to the resins, the OK57 cartridge has a 5µm carbon block element suitable to remove residual chlorine, odors, taste as well as any suspended particles larger than 5µm.

## ON55 STEM

Code	Description	Max flow	Capacity l*			Capacity (cups) 45cc*		
			l/min.	118°F	127°F	136°F	118°F	127°F
ON55S00	ON55 Omega Small Stem	0.75	175	120	90	3.890	2.670	2.000
ON55M00	ON55 Omega Medium Stem	1.5	350	235	395	7.780	5.230	3.890
ON55L00	ON55 Omega Large Stem	2.55	595	395	300	13.230	8.780	6.670



## OK57 STEM

Code	Description	Max flow	Capacity l*			Capacity (cups) 45cc*			€
			l/min.	118°F	127°F	136°F	118°F	127°F	
OK57X00U	OK57 X Omega Plus Stem	4,0	940	625	470	20.890	13.890	10.450	
OK57XL00U	OK57 XL Omega Plus Stem	6,9	1.600	1.065	800	35.560	23.670	17.780	
OK57XX00U	OK57 XXL Omega Plus Stem	9,4	2.190	1.460	1.095	48.670	32.450	24.340	



\* Capacities when used discontinuously max 0,5 l every 5 minutes - Capacity and performance of the device depends highly on inlet water quality

Temperature  
**Min. 2 °C (35 °F) / Max 39 °C (100 °F)**

Pressure  
**Min. 0,7 bar / Max 8,6 bar**

Vertical functioning



## ON75

Carbonatic hardness reduction for hot beverage applications

Hight capacity

Optimized for vending equipment



MEDIUM



VEND

Product compliant with DM174/04

### Features

- Disposable cartridge that use a special mix of carboxylic resins to reduce the carbonate hardness (temporary) of the treated water.
- The resins used have a high exchange capacity and do not alter the pH.
- Cartridges have also fix mix inside, the models.
- The Stem version has
  - IN/OUT male connections with 10 mm tube, upflow version.
  - IN/OUT male connections with 8 mm tube, upflow version.

Code	Description	Size	Nominate flow-rate	Duration 18°F nominal
ON75S00	Oceano 75 Stem Small filter cartridge	S	0,7	1500 lt
ON75MX0	Oceano 75 Stem Medium MX filter cartridge	M	1,35	2250 lt
ON75M00	Oceano 75 Stem Medium filter cartridge	M	1,35	3100 lt
ON75V00	Oceano ON75 V VEND Stem d8 UPFLOW filter cartridge	V	2	4500 lt

\* Capacities when used discontinuously max 0,5 l every 5 minutes - Capacity and performance of the device depends highly on inlet water quality

Temperature  
**Min. 2 °C (35 °F) / Max 39 °C (100 °F)**

Pressure  
**Min. 0,7 bar / Max 8,6 bar**

Vertical functioning

**PPO**  
Head

**pp**  
Filter body

**MADE IN ITALY**

COMPLIANCE D.M. 25/2012 - REGULATION UE 10/2011 - REGULATION CE 1935/2004 - D.M. 174/2004

# ON75

Carbonatic hardness reduction  
for hot beverage applications

Hight capacity

Optimized for vending equipment

Product compliant  
with DM174/04



XX



X



XL - XXL - 3XL

### Features

- OCEANO 75 adopts a filtration technology which uses special carboxylic resins able to reduce carbonate hardness, combined with an activated carbon treatment
- The fixed mix present in the head allows an optimal reduction of water hardness.
- The Stem version has IN/OUT male connections with 10 mm tube.
- UpFlow flow

Code	Description	Size	Nominate flow-rate	Duration 18°Fr nominal
ON75X00	Oceano 75 Stem Extra filter cartridgea	X	2,5	4500 lt
ON75XL01	Oceano 75 Stem Extra-Large MX cartridgea	XX	3	5500 lt
ON75XL00	Oceano 75 Stem Extra-Large cartridgea	XX	3	7500 lt
OK75XL2U	Oceano Stem XL 6X13 MX UPFLOW filter cylinder	XL	4	8000 lt
OK75XL0U	Oceano Stem XL 6X13 UPFLOW filter cylinder	XL	4	10000 lt
OK75XX00U	Oceano Stem XXL 7X13 UPFLOW filter cylinder	XXL	6,5	14000 lt
OK753X00U	Oceano Stem XXL 8X17 UPFLOW filter cylinder	3XL	10	21000 lt

\*Capacities when used discontinuously max 0,5 l every 5 minutes - Capacity and performance of the device depends highly on inlet water quality

Temperature  
**Min. 2 °C (35 °F) / Max 39 °C (100 °F)**

Pressure  
**Min. 0,7 bar / Max 8,6 bar**

Vertical functioning

(mm)

X: 143 (dia), 346 (height)  
 XX: 143 (dia), 447 (height)  
 XL: 159 (dia), 405 (height)  
 XXL: 180 (dia), 419 (height)  
 3XL: 205 (dia), 421 (height)

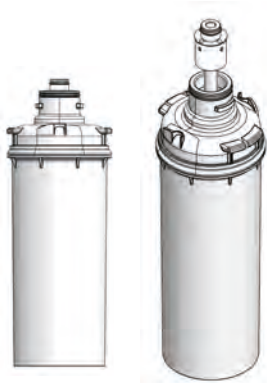
**PPO**  
Head

**pp**  
Filter body

**MADE IN ITALY**

COMPLIANCE D.M. 25/2012 - REGULATION UE 10/2011 - REGULATION CE 1935/2004 - D.M. 174/2004

## OPENABLE SANITIZING FILTER



ONS01 BAYO



ON09N BAYO



S



N

Product compliant with DM174/04

### Features

- OCEANO Sanitization is a filter that can be opened to add a product to sanitize dispensers.


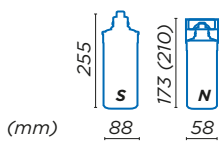
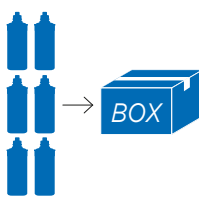


### ONS01 BAYO

Code	Description	€
ONS0100	Oceano openable cartridge Bayo	

### OK09N BAYO

Code	Description	€
OK09N00	Oceano openable cartridge Mini Bayo	

Capacity and performance of the device depends highly on inlet water quality

 <p>Temperature <b>Min. 2 °C (35 °F) / Max 39 °C (100 °F)</b></p>	 <p>(mm)</p>		<p><b>PPO</b> Head</p>
 <p>Pressure <b>Min. 0,7 bar / Max 8,6 bar</b></p>			<p><b>pp</b> Filter body</p>
 <p>Vertical functioning</p>			<p><b>MADE IN ITALY</b></p>

OCEANO  
MADE IN ITALY



Arago

OCEANO  
MADE IN ITALY

AROMA

WATER RO

are brands of *Waterline*





# DRINKIT: POTABLE WATER TREATMENT KIT

OCEANO  
MADE IN ITALY

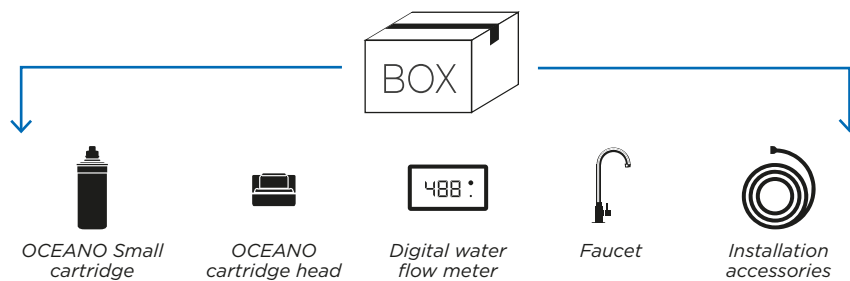
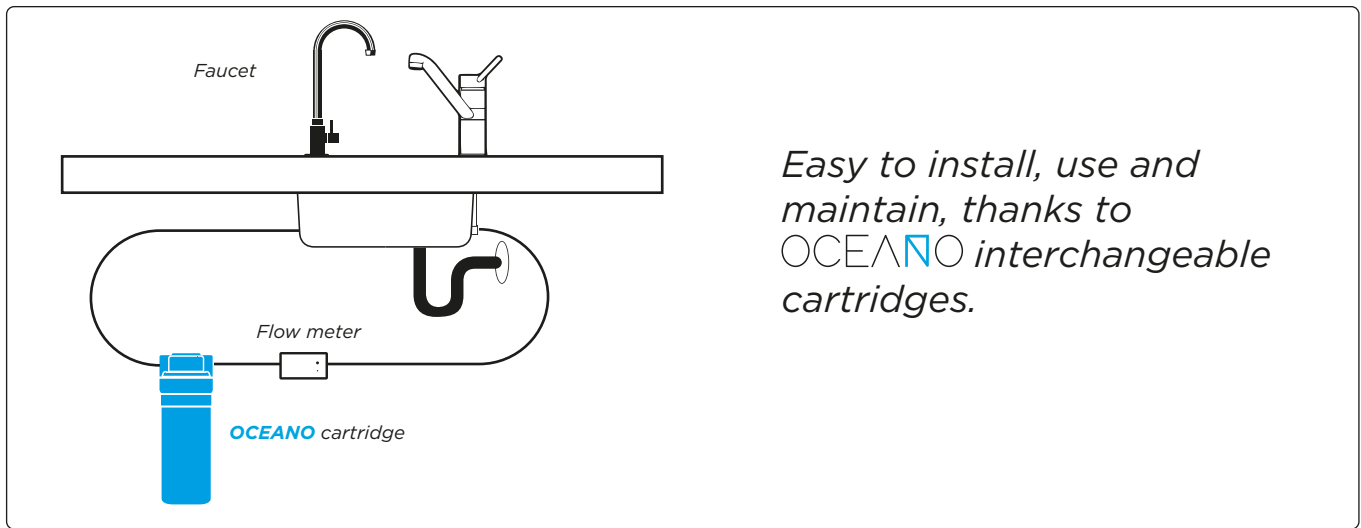
1.0

Filtration for domestic and professional use and accessories



# DRINKIT

YOUR PERSONAL WATER SOURCE



**COMPLIANCE**  
 - Dir. 98/83 Quality of water intended for human consumption  
 - 2011/65 UE, 2004/35 UE, Reg. UE 10/2011



Space saving



Money saving



Eco-friendly



Healthy



Safe

### PHYSICAL-CHEMICAL PARAMETERS MODIFIED BY DRINKIT

Parameter	Unit measure	Directive 98/83	Tap water	Filtered water OK10/OK16	Filtered water OK25	Filtered water OK36/OK38	Notes
Colony count 22°C	ufc/ml	No abn. change	< 1	< 1	< 1	< 1	
Colony count 37°C	ufc/ml	No abn. change	< 1	< 1	< 1	< 1	
<i>Pseudomonas aeruginosa</i>	ufc/250ml	0 ufc/250ml	0	0	0	0	
Total chlorine	mg/l	<0,2	1,22	0,09	0,09	0,05	After 20 liters flushing
Free chlorine	mg/l	<0,2	1,16	0,07	0,07	0,05	
Combined chlorine	mg/l	<0,2	0,06	0,02	0,02	0,01	
Silver ion	mg/l	<0,01	<0,001	0,008	0,008	0,009	

Test performed by qualified Lab Accredia n. 0231 on 2016.

### OCEANO CARTRIDGES FEATURES:



#### ON10S00

##### SINTERED CARBON BLOCK 0,3µm AG

It removes from water suspended particles larger than 0,3µm, chlorine, taste and odours. The silver molecules in filter structure have bacteriostatic action.

**TREATMENT CAPACITY: 5.000 l**



#### ON16S00 - SINTERED CARBON BLOCK 0,5µm AG

It removes from water suspended particles larger than 0,5µm, chlorine, taste and odours. The silver molecules in filter structure have bacteriostatic action.

**TREATMENT CAPACITY: 11.000 l**



#### ON25S00

##### SINTERED CARBON BLOCK 0.5µm AG+UF MEMBRANES

It removes from the water suspended particles, chlorine, taste and odours. The ultrafiltration membrane also allows an effective removal of bacteria and viruses possibly present in the water making it microbiologically pure.

**TREATMENT CAPACITY: 5.500 l**



#### µm

**OK36** removes from water suspended particles larger than 0,5µm, chlorine, taste and odor.



**OK38** removes from water suspended particles larger than 0,5µm, chlorine, taste and odor. OK38 uses active carbon with silver for bacteriostatic purpose.

**TREATMENT CAPACITY: 5.000 l**

Code	Description	€
OKKIT10S	<b>ON10S</b> Ocean filtration kit - Sintered Carbon Block AG 0.3 µm - complete with installation kit	
OKKIT16S	<b>ON16S</b> Ocean filtration kit - Sintered Carbon Block AG 0.5 µm - complete with installation kit	
OKKIT25S	<b>ON25S</b> Ocean filtration kit - Sintered Carbon Block AG 0.5 µm + UF membrane - complete with installation kit	
OKKIT36S	<b>ON36S</b> Ocean filtration kit - Precoat 0.5 µm - complete with installation kit	
OKKIT38S	<b>OK38S</b> Ocean filtration kit - Precoat AG 0.5 µm - complete with installation kit	

Capacity and performance of the device depends highly on inlet water quality

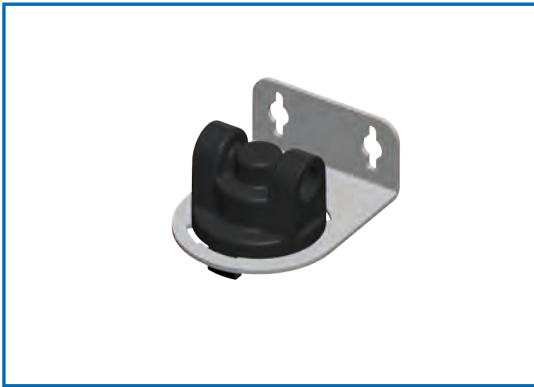
# FILTER HEADS

## OKT1000

OCEANO  
MADE IN ITALY

**PPO**  
Head

MADE IN ITALY



Product tested and certified in compliance with NSF/ANSI 42



Product compliant with DM25/2015 - DM174/04 - ACS

Code	Description	€
OKT1000	Filter head OCEANO 3/8" with bracket and screws	
OKT1100	Filter head OCEANO 3/8" with universal bracket and screws	
OKKITAL01	OKT1000/1500 connection kit 8 mm	
OKKITAL02	OKT1000/1500 connection kit 3/8"	

## OKT1500

OCEANO  
MADE IN ITALY

**PPO**  
Head

MADE IN ITALY



Product tested and certified in compliance with NSF/ANSI 42



Product compliant with DM25/2015 - DM174/04 - ACS

Code	Description	€
OKT1500	Filter head OCEANO with thread, bracket and screws	
OKKITAL01	OKT1000/1500 connection kit 8 mm	
OKKITAL02	OKT1000/1500 connection kit 3/8"	

## OKT0010

OCEANO  
MADE IN ITALY

MADE IN ITALY

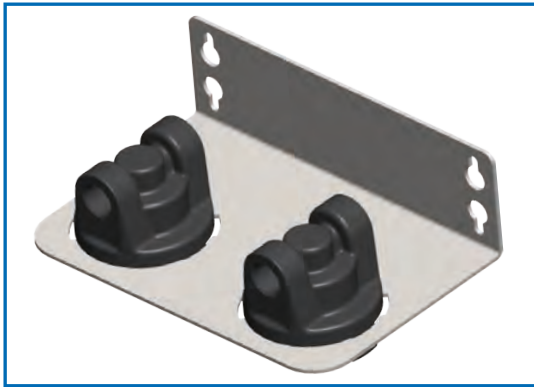


Code	Description	€
OKT0010	Blue bracket for STEM filters	

1.0

Filtration for domestic and professional use and accessories

## OKT2000



**PPO**  
Head

MADE IN ITALY

without fittings



Product tested and certified in compliance with NSF/ANSI 42



Product compliant with DM25/2015 - DM174/04 - ACS

Code	Description	€
OKT2000	Filter head OCEANO 3/8" with collar, bracket and screws	
OKKITAL03	OKT2000 connection kit 8 mm	
OKKITAL05	OKT2000 connection kit 3/8"	

## OKT2500



**PPO**  
Head

MADE IN ITALY



Product tested and certified in compliance with NSF/ANSI 42



Product compliant with DM25/2015 - DM174/04 - ACS

Code	Description	€
OKT2500	Filter head 3/8" with collar, bracket and screws	
OKKITAL04	OKT2500 connection kit 8 mm	
OKKITAL02	OKT200 connection kit 3/8"	

## QL2B



Product tested and certified in compliance with NSF/ANSI 42



Product compliant with DM25/2015 - DM174/04 - ACS

Code	Description	€
CA91510	Filter head Everpure QL2B with thread, bracket and screws	



# PROFESSIONAL FILTRATION SYSTEMS

## OCEANO BAYO HEADS

OCEANO  
MADE IN ITALY

OCEANO Bayo heads

Pressure reducer

Water meter

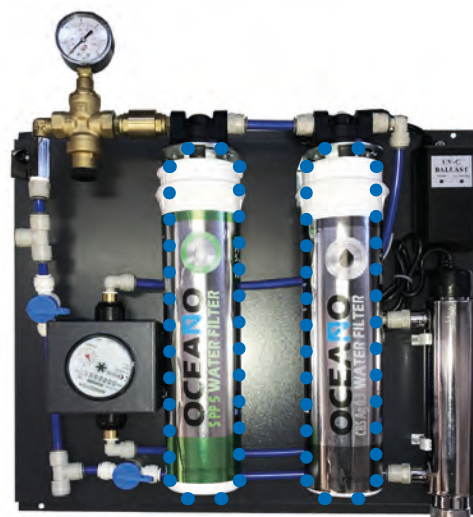
By-pass



BS040310



BS040315



BS040320

### Features

- These complete filtration systems are mounted on skin plated panels, suitable to H.Re.Ca., making controlling performance and parts replacements simple and easy.
- The flow meter is mechanical and cannot be reset.
- Designed specifically for professional use.
- Water pressure regulator included in all models.
- Available versions with or without UV sterilizers and with 1 or 2 filtration stages.
- The double filtration stage is recommended in case of high turbidity.
- The cartridges are to be ordered separately.  
Prefiltration: OK20 or OK30  
Filtration: OK10 or OK38

Code	Description	Dimensions			€
		Height mm	Width mm	Depth mm	
BS040310	Professional filtration kit OCEANO with flow meter and bypass (Oceano filter not included)	430+100	285	105	
BS040315	Professional 2 stage filtration kit OCEANO with flow meter, UV sterilizer and bypass (Oceano filter not included)	430+50	380	105	
BS040320	Professional 3 stage filtration kit OCEANO with flow meter, UV sterilizer and bypass (Oceano filters not included)	430+100	500	105	

1.0

Filtration for domestic and professional use and accessories

# OCEANO FILTERS FIR REFRIGERATORS

## MAYTAG KENMORE 46-9006/UKF8001\* MOD. N° AQF-111MT

OCEANO  
MADE IN ITALY

### Operative Conditions

<b>Capacity</b>	1.150 l ( 300 gallons)
<b>Temperature</b>	1-38 °C (34-100°F)
<b>Flow</b>	0,5 GPM (1,9 LPM)
<b>Pressure</b>	30-125 PSI (207-862 kPa)



Tested and certified by WQA against NSF/ANSI 42&53



- 99.99% Asbestos
- 76.99% Atrazine
- 97.26% Chlorine taste and smell
- 99.99% Cyst
- 99.35% Lead
- 98.72% Lindane
- 98.72% Mercury
- 98.68% Particulate
- 92.97% Toxaphene
- 97.09% Turbidity

### Features

- OCEANO Maytag Kenmore is suitable for refrigerators KENMORE, AMANA, MAYTAG, JENN-AIR, WHIRLPOOL, and Kitchen Aid with a filter located on the upper side of the refrigerator.
- Materials and components are tested and certified WQA Gold Seal against NSF/ANSI Standard 42 and Standard 53 for the removal of below substances according to Standard 42 and 53.
- This filter does not remove fluoride.

## SAMSUNG DA-97-08006A-B HAF-CIN/EXPS

### Operative Conditions

<b>Capacity</b>	1.150 l ( 300 gallons)
<b>Temperature</b>	1-38 °C (34-100°F)
<b>Flow</b>	0,5 GPM (1,9 LPM)
<b>Pressure</b>	30-125 PSI (207-862 kPa)



Tested and certified by WQA against NSF/ANSI 42&53



- 99.00% Asbestos
- 94.60% Atrazine
- 96.70% Benzene
- 97.40% Chlorine taste and smell
- 99.99% Cyst
- 99.30% Lead pH 6.5
- 99.30% Lead pH 8.5
- 99.00% Lindane
- 98.00% Particulate
- 99.10% Turbidity

### Features

- OCEANO Samsung is suitable for refrigerators SAMSUNG model DA-97-08006A-B HAF-CIN/EXP, French door and Side by side.
- Materials and components are tested and certified WQA Gold Seal against NSF/ANSI Standard 42 and Standard 53 for the removal of below substances according to Standard 42 and 53.
- This filter does not remove fluoride.

Code	Description
OK9010	OCEANO filter for refrigerators Maytag Kenmore
OK9020	OCEANO filter for refrigerators Samsung

1.0

Filtration for domestic and professional use and accessories

## WHIRLPOOL 4396508 KENMORE 46-9010, 46-9902 & 45-9908\*

### Operative Conditions

<b>Capacity</b>	1.150 l ( 300 gallons)
<b>Temperature</b>	1-38 °C (34-100°F)
<b>Flow</b>	0,5 GPM (1,9 LPM)
<b>Pressure</b>	30-125 PSI (207-862 kPa)



Tested and certified by WQA against NSF/ANSI 42&53



98.00%	Dichlorophenoxyacetic acid (2.4 D)
99.99%	Asbestos
76.99%	Atrazine
96.00%	Benzene
97.26%	Chlorine taste and smell
99.99%	Cyst
99.35%	Lead
98.72%	Lindane
98.72%	Mercury
99.00%	Dichlorobenzene
98.68%	Particulate
94.00%	Pharmacological substances
92.97%	Toxaphene
97.09%	Turbidity

### Features

- OCEANO Whirlpool Kenmore is suitable for refrigerators WHIRLPOOL, 4396508 KENMORE 46-9010, 46-9902, 46-9908\*.
- Materials and components are tested and certified WQA Gold Seal against NSF/ANSI Standard 42 and Standard 53 for the removal of below substances according to Standard 42 and 53.
- This filter does not remove fluoride.

## LG LT500P/KENMORE\* 46-9890 WF290

### Operative Conditions

<b>Capacity</b>	1.150 l ( 300 gallons)
<b>Temperature</b>	1-38 °C (34-100°F)
<b>Flow</b>	0,5 GPM (1,9 LPM)
<b>Pressure</b>	30-125 PSI (207-862 kPa)



Tested and certified by WQA against NSF/ANSI 42&53



98.00%	Acido diclorofenossiacetico (2.4 D)
99.00%	Alachlor
99.00%	Asbestos
94.00%	Atrazine
96.00%	Benzene
98.00%	Carbofuran
96.00%	Chlorine taste and odor
99.99%	Cyst
99.00%	Lead
99.00%	Lindane

### Features

- OCEANO LG Kenmore is suitable for refrigerators LG LT500P / KENMORE 46-9890 WF290.
- Materials and components are tested and certified WQA Gold Seal against NSF/ANSI Standard 42 and Standard 53 for the removal of below substances according to Standard 42 and 53.
- This filter does not remove fluoride.

Code	Description	€
OK9030	OCEANO filter for refrigerators Whirlpool Kenmore	
OK9040	OCEANO filter for refrigerators Kenmore	

# OK9060

### Operative Conditions

<b>Capacity</b>	1,150 l ( 300 gallons)
<b>Temperature</b>	1-38 °C (34-100°F)
<b>Flow</b>	0,5 GPM (1,9 LPM)
<b>Pressure</b>	30-125 PSI (207-862 kPa)

**NSF** Testato e certificato da WQA secondo NSF/ANSI 42&53  
 Tested and certified by WQA against NSF/ANSI 42&53

### Features

- OCEANO OK9060 is the compatible cartridge with 3M AP2.
- Materials and components are tested and certified against NSF/ANSI Standard 42 for chlorine, taste and odour reduction.
- Average chlorine reduction 99%, tested with influent water according standard NSF 42 with 2 mg/l inlet free chlorine



Code	Description	€
OK9060	OCEANO filter compatible with 3M AP2	



## KIT OKKITAL01

Code	Description	Quantity
PM010813E	Tube OD 8mm x 3/8 BSP, Straight Adaptor BSP	3
PM220808E	Stem OD 8 mm to 8 mm elbows	2
PEM008N	Black PE tube mm 8 x 6	3 m
615TT20022	MF 3/8" brass mini ball valve	1

## KIT OKKITAL02

Code	Description	Quantity
PI011203S	Tube OD 3/8 x 3/8 BSP Straight Adaptor	3
PI221212S	Tube OD 3/8 - 3/8 elbows	2
PEP038N	Black PE tube 3/8" x 0,25"	3 m
615TT20022	MF 3/8" brass mini ball valve	1

## KIT OKKITAL03

Code	Description	Quantity
PM010813E	Tube OD 8 mm x 3/8 BSP, Straight Adaptor BSP	1
PM220808E	Stem OD 8 mm to 8 mm elbows	2
PEM008N	Black PE tube mm 8 x 6	3 m
615TT20022	MF 3/8" brass mini ball valve	1
PI481023S	Threaded elbow 5/16" x 3/8"	4
PM0208E	8 mm equal tee	2
PM0308E	8 mm equal elbow	2

## KIT OKKITAL04

Code	Description	Quantity
PM010813E	Tube OD 8 mm x 3/8 BSP, Straight Adaptor BSP	5
PM220808E	Stem OD 8 mm to 8 mm elbows	4
PEM008N	Black PE tube mm 8 x 6	3 m
615TT20022	MF 3/8" brass mini ball valve	1
PM0208E	8 mm equal tee	2
PM0308E	8 mm equal elbow	2

## KIT OKKITAL05

Code	Description	Quantity
615TT20022	MF 3/8" brass mini ball valve	1
PI481223S	Threaded elbow 3/8" x 3/8"	4
PI011203S	Tube OD 3/8 x 3/8 BSP Straight Adaptor	1
PEP038N	Black PE tube 3/8" x 0,25"	3 m
PI0212S	3/8" equal tee	2
PI0312S	3/8" equal elbow	2

## KIT OKKITAL06

Code	Description	Quantity
615TT20022	MF 3/8" brass mini ball valve	1
PI481223S	Threaded elbow 3/8" x 3/8"	5
PI011203S	Stem OD 3/8" to 3/8" to 8 mm elbows	1
PI0212S	3/8" equal tee	2
PI0312S	13/8" equal elbow	2

# SOFTENERS FOR OCS SOFTENERS IN SUCTION



Teo 21



Teo 30



Teo 60



Teo 90



Teo 180

Code	Description	Height	Diameter	Resin	pcs.Pack
PKTEO21	Slim TEO21 suction water softener	159	22	MF300035/P Carboxylic Purolite	300
PKTEO30	WL TEO30 suction water softener d.45 h98 - Strong Cationic	98	45	MF300060/J Strong cationic	250
PKTEO60	WL TEO60 suction water softener d.45 h135 - Strong Cationic	135	45	MF300060/J Strong cationic	200
PKTEO90	WL TEO90 suction water softener d.45 h98 - Carboxylic - BLUE	98	45	MF300035/P Carboxylic Purolite	250
PKTE180	WL TEO180 suction water softener d.45 h98 - Carboxylic - BLUE	135	45	MF300035/P Carboxylic Purolite	200

Operating temperature from +5 to +40 - Softening: total hardness - Food: 12 months - CER code: 19.09.05 - Disposal: Non-hazardous special waste - Packaging: Flowpack - Compliance:174/2004

## PRESSURE SOFTENERS



Shark Filter



TeoK

**RECOMMENDED FOR OCS LAVAZZA AND CAPITANI MACHINES**

Code	Description	Height	Diameter	Resin	Capacity
F10829	TeoK	132,5 mm	41 mm	Strong cationic	45 l
F11603	Shark Filter	135,5 mm	41 mm	Carboxylic buffered	180 l

## SOFTENERS FILTER BAGS



SOFT inner envelope



\*SOFTBoxed 90



\*SOFT Boxed 75



\*SOFT Boxed 50

**CUSTOMIZABLE PACKAGING ON REQUEST**



\*EXHIBITOR SOFT Display on request for 50 - 75 - 90 models

Operating temperature from +5 to +40  
Softening: total hardness  
Food: 12 months  
CER code: 19.09.05  
Disposal: Non-hazardous special waste  
Packaging: Flowpack - Compliance:174/2004

Code	Description	Resin	Capacity	Pcs. Pack
PKSOFT50*	WL SOFT 50	MF300035/P Carboxylic Purolite	130	200
PKSOFT50/S	WL SOFT 50 in single box	Mix forte MF300035/P Carboxylic Purolite	130	150
PKSOFT75*	WL SOFT 75	MF300035/P Carboxylic Purolite	195	150
PKSOFT75/S	WL SOFT 75 in single box	MF300035/P Carboxylic Purolite	195	100
PKSOFT90*	WL SOFT 90	MF300035/P Carboxylic Purolite	240	150
PKSOFT90/S	WL SOFT 90 in single box	MF300035/P Carboxylic Purolite	240	100
PKSOFT150	WL SOFT 150	MF300035/P Carboxylic Purolite	395	100
PKSOFT200	WL SOFT 200	MF300035/P Carboxylic Purolite	530	100
PKSOFT300	WL SOFT 300	MF300035/P Carboxylic Purolite	795	50

1.0

Filtration for domestic and professional use and accessories

## INLINE FILTER SYSTEMS COMPLETE TRANSPARENT KIT

Code	Description	€
O1023030	In line filter Ø63 length 12" connections 1/4" Transparent female with Carbon Block Ag 0.3µm cartridge	
O1023130	Inline filter Ø63 length 12" connections 1/4" Transparent female with 5µm extruded Carbon Block cartridge	
O1023230	In line filter Ø63 length 12" connections 1/4" Transparent female with Melt Blown cartridge in PP 5µm	
O1023038	Remineralising/neutralising rechargeable in-line post filter	



## KIT COMPLETO BIANCO

Code	Description	€
O1023032	In line filter Ø63 length 12" connections 1/4" Female white with Carbon Block Ag 0.3µm cartridge	
O1023132	In line filter Ø63 length 12" connections 1/4" Female white with 5µm extruded Carbon Block cartridge	
O1023232	In line filter Ø63 length 12" connections 1/4" Female white with Melt Blown cartridge in PP 5µm	



## RICAMBIO CARTUCCE IN LINEA

Code	Description	€
CA90180	Carbon Block Ag Cartridge 0.3µm Ø50 1/4" Male threaded connection	
PP90180	Melt Blown Cartridge in PP 5µm Ø50 1/4" Male threaded connection	
CX90180	Extruded Carbon Block cartridge 5µm Ø50 1/4" Male threaded connection	



## CONTENITORE

Code	Description	€
O1023022	Empty transparent AS plastic container Ø50 length 10" 1/4" Female connections	
O1023024	Empty container in white PP plastic Ø50 length 10" connections 1/4" Female	
O1023026	Empty container in transparent AS plastic Ø63 length 12" 1/4" female connections for IN-LINE cartridges Ø50	
O1023028	Empty container in white PP plastic Ø63 length 12" 1/4" connections for IN-LINE cartridges Ø50	



# ULTRAFILTRATION

## ULTRAFILTRATION SSU



### Features

- Membrane material: polysulfone
- Max inlet pressure: 6 bar
- Max inlet temperature: 50°C
- Connetion: Thread 1/2"

Code	Description	Internal filtering surface m <sup>2</sup>	Flow l/h	€
O1023052	Single stage ultrafiltration M03501 SSU 28	2,8	18,0	

## UF LENGTH 10"



### Features

- Nominal Filtration: 0,08 µm
- Maximum flow: 4 l/min
- Maximum pressure: 4 bar
- Maximum temperature: 40° C
- Service life: 1500 l
- Inlet/Outlet: 1/4"
- Size: Ø 2" x 10" L

Code	Description	€
O1023044	Inline ultrafiltration system stem connection 1/4"	

## CAR9000X



### Features

- Size: 2" 1/2 x12"
- 1/4 shank In/Out connections
- Capacity: 3,8 l/min = 3 bar
- Pressure 0,7-5 bar
- Life: 2500 gal (9500 l)
- 99% bacteria reduction
- Packaging: 25 Pcs.
- Note: Vessels are not required

Code	Description	€
CAR9000X	Hollow ultrafiltration membrane 0,12 µm	



## FLOW METERS



### Features

- Liter/Time/Flow meter DigiFlow 8000T-L is equipped with LCD display.
- It can monitor from 500 to 99.500 l and from 30 to 720 days.
- It can read instantaneous flow rate.
- The LCD of the DigiFlow 8000T-L blinks and generates an audible alert when the monitoring volume capacity of the specific filter reaches the end.
- It must be installed after the filter because it is sensitive to coarse particles in the water.
- The DigiFlow 8000T-L is operated by two AAA alkaline batteries which power lasts more than one year. The last status data will be automatically memorized when the battery power is off.

Code	Description	€
DF086L	Time-Flow-Litres Meter Digiflow 8000T-L	

## SHUT OFF METER



### Features

- This unique patented system to measure the volume of water blocks automatically the flow once it reaches the set value.
- Ideal for application in systems for which the filter replacement is important for the correct functioning of the system or in respect of the laws regarding drinking water.
- Max capacity: 6000 l
- Working pressure: min 1 bar, max. 8,7 bar
- 1/4" thread connections

Code	Description	€
O1022038/C	WATERMINDER automatic block counter - CA	

## PROFESSIONAL WATER METER



### Features

- Professional mechanical water meter, not resettable, suitable for panel/wall mount, with quick fittings 3/8".

Code	Description	€
CTLCMP	Box contalitri / Water flow meter	



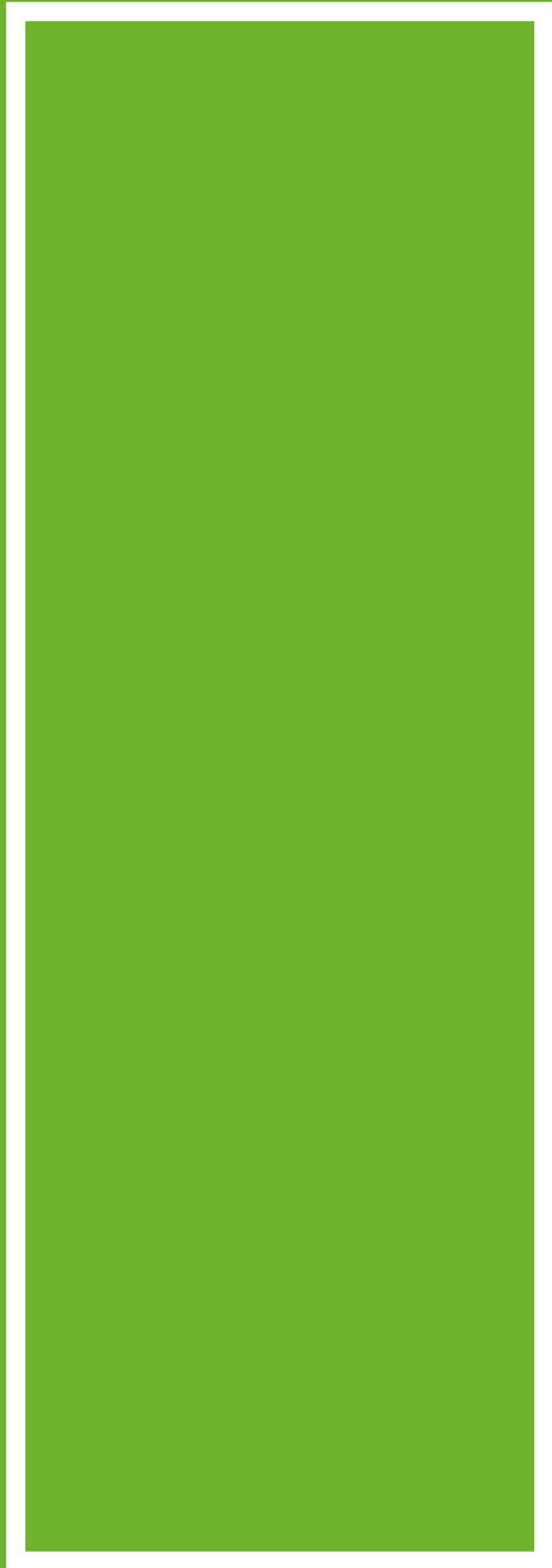




**2.0**

*Filter cartridges and  
containers*





# FILTER CARTRIDGES

## WIRE WOUND CARTRIDGES

### CNA CARTRIDGES

Cartridge for civil and industrial use for the treatment of drinking and non-drinking primary water.



#### Technical specifications:

- Standard Ø ext.61mm and Ø int.28mm
- Min/max operating temperature 0°C/60°C
- Polypropylene wire according to DM 174
- Polypropylene support in accordance with DM 174
- High flow rates with low pressure drops
- Exclusive C.M.S. winding system

#### LENGTH: 4

Code	Description	Flow rate l/h	Pieces per pack.	€/pc
A0211	CNA 4" 1 µ	270	180	
A0212	CNA 4" 5 µ	350	180	
A0213	CNA 4" 10 µ	350	180	
A0210	CNA 4" 20 µ	350	180	

#### LENGTH: 5

Code	Description	Flow rate l/h	Pieces per pack.	€/pc
A0307	CNA 5" 1 µ	280	120	
A0308	CNA 5" 5 µ	350	120	
A0309	CNA 5" 10 µ	350	120	
A0306	CNA 5" 20 µ	350	120	
A0305	CNA 5" 50 µ	350	120	

#### LENGTH: 7

Code	Description	Flow rate l/h	Pieces per pack.	€/pc
A0191	CNA 7" 1 µ	580	90	
A0192	CNA 7" 5 µ	630	90	
A0193	CNA 7" 10 µ	630	90	
A0190	CNA 7" 20 µ	630	90	
A0189	CNA 7" 50 µ	630	90	

#### LENGTH 9" 3/4

Code	Description	Flow rate l/h	Pieces per pack.	€/pc
A0181	CNA 9" 3/4 1 µ	1150	60	
A0182	CNA 9" 3/4 5 µ	1300	60	
A0183	CNA 9" 3/4 10 µ	1300	60	
A0180	CNA 9" 3/4 20 µ	1300	60	
A0184	CNA 9" 3/4 30 µ	1300	60	
A0185	CNA 9" 3/4 50 µ	1300	60	
A0186	CNA 9" 3/4 100 µ	1450	60	

2.0

Filter cartridges and containers

**LENGTH: 10**

Code	Description	Flow rate l/h	Pieces per pack.	€/pc
A0171	CNA 10" 1 μ	1150	60	
A0172	CNA 10" 5 μ	1300	60	
A0173	CNA 10" 10 μ	1300	60	
A0170	CNA 10" 20 μ	1300	60	
A0174	CNA 10" 30 μ	1300	60	
A0175	CNA 10" 50 μ	1300	60	
A0176	CNA 10" 100 μ	1450	60	

**LENGTH: 20**

Code	Description	Flow rate l/h	Pieces per pack.	€/pc
A0221	CNA 20" 1 μ	1900	30	
A0222	CNA 20" 5 μ	2200	30	
A0223	CNA 20" 10 μ	2200	30	
A0220	CNA 20" 20 μ	2200	30	
A0224	CNA 20" 30 μ	2200	30	
A0225	CNA 20" 50 μ	2200	30	
A0226	CNA 20" 100 μ	2300	30	

**LENGTH: 30**

Code	Description	Flow rate l/h	Pieces per pack.	€/pc
A0261	CNA 30" 1 μ	3100	30	
A0262	CNA 30" 5 μ	3300	30	
A0263	CNA 30" 10 μ	3300	30	
A0260	CNA 30" 20 μ	3300	30	
A0264	CNA 30" 30 μ	3300	30	
A0265	CNA 30" 50 μ	3300	30	
A0266	CNA 30" 100 μ	3500	30	

## CNA CARTRIDGES FOR AMG P300

Cartridge for civil and industrial use for the treatment of drinking and non-drinking primary water.

**Technical specifications:**

- Standard Ø ext.50mm and Ø int.28mm
- Min/max operating temperature 0°C/60°C
- FDA & DM 174 compliant polypropylene wire
- FDA & DM 174 compliant polypropylene holder
- High flow rates with low pressure drops
- Exclusive C.M.S. winding system



Code	Description	Micron	Flow rate l/h	Pieces per pack.	€/pc
OCFA05001R	FA 5" MINI 1 μ	1	280	48	
OCFA05005R	FA 5" MINI 5 μ	5	350	48	
OCFA05010R	FA 5" MINI 10 μ	10	350	48	
OCFA05025R	FA 5" MINI 25 μ	25	350	48	
OCFA05050R	FA 5" MINI 50 μ	50	350	48	

## CNA CARTRIDGES FOR WATER BIG

Cartridge for civil and industrial use for the treatment of drinking and non-drinking primary water.

### Technical specifications:

- Standard Ø ext.100mm and Ø int.28mm
- Min/max operating temperature 0°C/60°C
- FDA & DM 174 compliant polypropylene wire
- FDA & DM 174 compliant polypropylene holder
- High flow rates with low pressure drops
- Exclusive C.M.S. winding system



Code	Description	Height	Micron	Pieces per pack.	€/pc
PAWB100024	9 PAWB 5	9" 3/4	5	12	
PAWB100034	9 PAWB 25	9" 3/4	25	12	
PAWB100026	20 PAWB 5	20	5	9	
PAWB100036	20 PAWB 25	20	25	9	

## CFC CARTRIDGES

Cartridge for technological and industrial use for sediment filtration, with granular activated carbon for double filtration with removal of unpleasant odours and tastes from the water.

### Technical specifications:

- Standard Ø ext.70 mm and Ø int.50 mm
- Min/max operating temperature 0°C/60°C
- FDA & DM 174 compliant polypropylene wire
- FDA & DM 174 compliant polypropylene holder
- Combined filtration and adsorption action
- FDA & DM 174 compliant rubber seals



Code	Description	Micron	Flow rate l/h	Pieces per pack.	€/pc
A0351	CFC 4" 5 µ	5	200	60	
A0350	CFC 4" 10 µ	10	200	60	
A0352	CFC 4" 20 µ	20	200	60	
A0341	CFC 5" 5 µ	5	240	60	
A0340	CFC 5" 10 µ	10	240	60	
A0342	CFC 5" 20 µ	20	240	60	
A0331	CFC 7" 5 µ	5	360	48	
A0330	CFC 7" 10 µ	10	360	48	
A0332	CFC 7" 20 µ	20	360	48	
A0321	CFC 9" 3/4 5 µ	5	420	30	
A0320	CFC 9" 3/4 10 µ	10	420	30	
A0322	CFC 9" 3/4 20 µ	20	420	30	
A0311	CFC 10" 5 µ	5	420	30	
A0310	CFC 10" 10 µ	10	420	30	
A0312	CFC 10" 20 µ	20	420	30	

## MELT BLOWN CARTRIDGES HIGH PURE SERIES

Cartridge for technological and industrial use for treatments where a high guarantee of filtrate purity is required.



### Technical specifications:

- Standard Ø ext.63mm and Ø int.28mm
- Min/max operating temperature 0°C/60°C
- Polypropylene according to DM 174
- High flow rates with low pressure drops
- Unique coreless construction system
- Exceptional particle retention with consistent filtrate quality

Code	Description	Height mm	Micron	Flow rate l/h	Pieces per pack.	€/pc
PP100004	5 PP 5 µ	5	5	750	100	
PP100015	7 PP 5 µ	7	5	750	50	
PP100104	10 PP 1 µ	10	1	1000	50	
PP100124	10 PP 5 µ	10	5	1600	50	
PP100134	10 PP 10 µ	10	10	2000	50	
PP100144	10 PP 20 µ	10	20	2500	50	
PP100154	10 PP 50 µ	10	50	2800	50	
PP100204	20 PP 1 µ	20	1	1800	25	
PP100224	20 PP 5 µ	20	5	2800	25	
PP100234	20 PP 10 µ	20	10	3600	25	
PP100244	20 PP 20 µ	20	20	4300	25	
PP100254	20 PP 50 µ	20	50	4800	25	
PP100704	30 PP 1 µ	30	1	2700	25	
PP100724	30 PP 5 µ	30	5	4300	25	
PP100734	30 PP 10 µ	30	10	5400	25	
PP100744	30 PP 20 µ	30	20	6400	25	
PP100754	30 PP 50 µ	30	50	7300	25	
PP100824	40 PP 5 µ	40	5	4300	25	
PP100844	40 PP 20 µ	40	20	6400	25	

## HIGH PURE SERIES FOR WATER BIG

Cartridge for technological and industrial use for treatments where a high guarantee of filtrate purity is required and where fibre migration is feared.



### Technical specifications:

- Standard Ø ext.100mm and Ø int.28mm
- Min/max operating temperature 0°C/60°C
- Polypropylene according to DM 174
- High flow rates with low pressure drops
- Unique coreless construction system
- Exceptional particle retention with consistent filtrate quality

Code	Description	Height mm	Micron	Flow rate l/h	Pieces per pack.	€/pc
PP100304	10 WB PP 1	10	1	1300	25	
PP100324	10 WB PP 5	10	5	2000	25	
PP100344	10 WB PP 20	10	20	3000	25	
PP100404	20 WB PP 1	20	1	2200	25	
PP100424	20 WB PP 5	20	5	3300	25	
PP100444	20 WB PP 20	20	20	5100	25	



## PLEATED POLYESTER CARTRIDGES FOR WATER BIG

Pleated synthetic material cartridge for industrial uses and for filtering liquids in general.

### Technical specifications:

- Standard Ø ext.100mm and Ø int.28mm
- Min/max operating temperature 0°C/60°C
- FDA & DM 174 compliant polypropylene holder
- Pleated polyester filter media
- Mechanical surface filtration
- Type of maintenance: washable



# 2.0

Code	Description	Height mm	Micron	Flow rate l/h	Pieces per pack.	€/pc
PLWB100024	9 PL WB 5 µ	248	5	2300	12	
PLWB100034	9 PL WB 25 µ	248	25	2700	12	
PLWB100026	20 PL WB 5 µ	508	5	5000	9	
PLWB100036	20 PL WB 25 µ	508	25	5500	9	

# WASHABLE MESH CARTRIDGES

## MESH CARTRIDGES WASHABLE POLYESTER

Cartridge for domestic and industrial use with polyester mesh.

### GT SERIES

**Technical specifications:**

- Standard: Ø ext. 60mm Ø int. 27,5 mm
- Min/max operating temperature 0°C/60°C
- Washable polyester net
- Polypropylene support



Code	Description	Ø mm	Height mm	Micron	Flow rate l/h	Pieces per pack	€/pc
OCGMM1060	GT MINI 60 µ	50	127	50	800	198	
OCGT05060	GT 5" 60 µ	60	127	60	1200	48-96	
OCGT05150	GT 5" 150 µ	60	127	150	1800	48-96	
OCGT07060	GT 7" 60 µ	60	178	60	1700	24-72	
OCGT07150	GT 7" 150 µ	60	178	150	2000	24-72	
OCGT09060	GT 9" ¾ 60 µ	60	248	60	2500	24-48	
OCGT09150	GT 9" ¾ 150 µ	60	248	150	3000	24-48	
OCGT19060	GTL 19" 60 µ	60	478	60	4000	24	
OCGT19150	GTL 19" 150 µ	60	478	150	6000	24	
OCGT20060	GTL 20" 60 µ	60	508	60	4000	24	
OCGT20150	GTL 20" 150 µ	60	508	150	6500	24	
OCGT30060	GTL 30" 60 µ	60	762	60	7500	30	
OCGT30150	GTL 30" 150 µ	60	762	150	9000	30	

### GTS SERIES

**Technical specifications:**

- Standard: Ø ext. 60mm Ø int. 50mm
- Washable polyester net
- Max. operating temperature +60°C
- Polypropylene support
- For 1" 1/4, 1" 1/2, 2" containers



Code	Description	Ø mm	Height mm	Micron	Flow rate l/h	Pieces per pack	€/pc
OCGS05150	GTS 5" 150 µ	60	127	150	1800	48-96	
OCGS07150	GTS 7" 60 µ	60	178	60	2000	24-72	
OCGS10060	GTS 9" ¾ 60 µ	60	248	60	2500	24-48	
OCGS10150	GTS 9" ¾ 150 µ	60	248	150	2500	24-48	
OCGS19060	GTS 19" 60 µ	60	494	60	4000	24	
OCGS20060	GTS 20" 60 µ	60	515	60	4000	24	
OCGS20150	GTS 20" 150 µ	60	515	150	4000	24	

## SERIES GT/AP - GTS/AP

### Technical specifications:

- Standard: Ø ext. 60mm Ø int. 27.5 mm
- Washable polyester net
- Max. operating temperature +60°C
- Polypropylene support
- For 1/2", 3/4", 1" containers



Code	Description	Ø mm	Height mm	Micron	Flow rate l/h	Pieces per pack	€/pc
OCGP09060	GT/AP 9" 3/4 60 µ	60	256	60	2500	198	
OCGP10060	GTS/AP 9" 3/4 60 µ	60	248	60	2500	60-120	
OCGP09150	GT/AP 9" 3/4 150 µ	60	256	150	2500	60-120	
OCGP20060	GT/AP 19" 60 µ	60	488	60	4000	48-96	
OCGP19060	GTS/AP 19" 60 µ	60	494	60	2500	48-96	
OCGP20150	GT/AP 19" 150 µ	60	488	150	4000	24-72	

## PLEATED AISI 316 CARTRIDGES

Pleated AISI 316 cartridge for industrial use in critical applications, such as handling corrosive fluids or processes involving high temperatures.

### Technical specifications:

- Standard Ø ext.60mm and Ø int.28mm
- Min/max operating temperature 0°C/90°C
- Mechanical surface filtration
- Type of maintenance: washable



Code	Description	Height mm	Micron	Flow rate l/h	Pieces per pack.	€/pc
OCXPMI060	MINI XP 60 µ	122	60	1000	28	
OCXP05060	XP 5" 60 µ	127	60	1500	15 - 30	
OCXP07060	XP 7" 60 µ	178	60	2000	15	
OCXP09060	XP 9" 3/4 60 µ	248	60	3000	15 - 35	
OCXP20060	XP 20" 60 µ	508	60	4500	1	

## AISI 316 MESH CARTRIDGES

AISI 316 cartridge for industrial use in critical applications, such as handling corrosive fluids or processes involving high temperatures.

### GTX SERIES

**Technical specifications:**

- Standard: Ø ext. 60mm Ø int. 27.5 mm
- Stainless steel mesh
- Max. operating temperature +60°C
- Polypropylene holder and caps
- Resistant to cleaning



Code	Description	Ø mm	Height mm	Micron	Flow rate l/h	Pieces per pack	€/pc
OCGX05030	GTX 5" 30 µ	60	127	30	1000	48 - 60	
OCGX05060	GTX 5" 60 µ	60	127	60	1200	48 - 60	
OCGX05150	GTX 5" 150 µ	60	127	150	1800	48 - 60	
OCGX07030	GTX 7" 30 µ	60	178	30	1400	24 - 72	
OCGX07060	GTX 7" 60 µ	60	178	60	1700	24 - 72	
OCGX07150	GTX 7" 150 µ	60	178	150	2000	24 - 72	
OCGX09030	GTX 9" 3/4 30 µ	60	248	30	2100	24 - 48	
OCGX09060	GTX 9" 3/4 60 µ	60	248	60	2500	24 - 48	
OCGX09150	GTX 9" 3/4 150 µ	60	248	150	3000	24 - 48	
OCGX09500	GTX 9" 3/4 500 µ	60	248	500	5000	24 - 48	
OCGX20030	GTX 20" 30 µ	60	508	30	3500	24	
OCGX20060	GTX 20" 60 µ	60	508	60	4000	24	
OCGX20150	GTX 20" 150 µ	60	508	150	6000	24	
OCGX20500	GTX 20" 500 µ	60	508	500	9000	24	

# AISI 304 MESH CARTRIDGES

## CAL SERIES

### Technical specifications:

- Standard Ø ext.58mm and Ø int.28mm
- Min/max operating temperature 0°C/90°C
- Mesh in smooth AISI 304



Code	Description	Height mm	Micron	Flow rate l/h	Pieces per pack	€/pc
A0436	CAL 5	127	50	800	60	
A0434	CAL 7	178	50	1000	48	
A0432	CAL 9 <sup>3</sup> / <sub>4</sub>	248	50	1500	30	
A0433	CAL 10	254	50	1500	30	

# 2.0

Filter cartridges and containers



## EXTRUDED CARBON BLOCK CARTRIDGES

### EXTRUDED CARBON BLOCK CARTRIDGES

Point-of-use cartridge for optimal chlorine reduction from primary drinking water.  
For technological use in the treatment of drinking and non-drinking water.

**Technical specifications:**

- Standard Ø ext.70mm and Ø int.28mm
- Min/max operating temperature 0°C/30°C
- FDA & DM 174 compliant rubber seals
- For food use with germicidal lamp
- CX100014, 16, 24 sold in packs of 25 pcs.
- CX100224 Sold in packs of 20 pcs.



Code	Description	Height	Micron	Flow rate l/h	€/pc
CX100014	5 CX 5	5	5	180	
CX100016	7 CX 5	7	5	210	
CX100024	9 CX 5	9 <sup>3/4</sup>	5	300	
CX100224	20 CX 5	20	5	500	

### CARBON BLOCK CARTRIDGES FOR WATER BIG

Point-of-use cartridge for optimal chlorine reduction from primary drinking water.  
For technological use in the treatment of drinking and non-drinking water.

**Technical specifications:**

- Standard Ø ext.100mm and Ø int.28mm
- Min/max operating temperature 0°C/30°C
- FDA & DM 174 compliant rubber seals
- For food use with germicidal lamp



Code	Description	Height	Micron	Flow rate l/h	€/pc
CX100324	10 WB CX 5	10	5	400	
CX100424	20 WB CX 5	20	5	800	

# SINTERED ACTIVATED CARBON CARTRIDGES

## ACTIVE CARBON CARTRIDGES SILVERED 0.3 MICRON

Point-of-use cartridge for optimal chlorine reduction from primary drinking water. It performs a microfiltration function with antibacterial and bacteriostatic action as it is impregnated with silver.

### Technical specifications:

- Standard Ø ext.60mm and Ø int.28mm
- Min/max operating temperature 0°C/30°C
- FDA & DM 174 compliant rubber seals
- Type of maintenance: non-returnable



Code	Description	Ø mm	Height mm	Micron	Flow rate l/h	€/pc
CA90110	AG CAB 60.04 con Ag	60	4"	0.3	90.	
CA90120	AG CAB 60.05 con Ag	60	5	0.3	90.	
CA90130	AG CAB 60.07 con Ag	60	7	0.3	120	
CA90140	AG CAB 60.09 con Ag	60	9" 3/4	0.3	180	
CA90150	AG CAB 60.10 con Ag	60	10	0.3	180	

## ACTIVE CARBON CARTRIDGES SILVERED 1 MICRON

Point-of-use cartridge for optimal chlorine reduction from primary drinking water. Coated on the outside with non-woven fabric and protective mesh.

### Technical specifications:

- Standard Ø ext.60mm and Ø int.28mm
- Min/max operating temperature 0°C/30°C
- FDA & DM 174 compliant rubber seals
- Type of maintenance: non-returnable



Code	Description	Ø mm	Height mm	Micron	Flow rate l/h	€/pc
CA90160	CAB 60.09	60	9" 3/4	1	270	

# GRANULAR ACTIVATED CARBON CARTRIDGES

## GAC CARTRIDGES

Cartridge for civil use for optimal chlorine reduction from primary drinking water. For technological and industrial use in the treatment of drinking and non-drinking water.

### Technical specifications:

- Standard Ø ext.70mm and Ø int.28mm
- Min/max operating temperature 0°C/30°C
- FDA & DM 174 compliant rubber seals
- Vegetable-derived activated carbon
- For food use with germicidal lamp

Code	Description	Ø mm	Height mm	Flow rate l/h	Pieces per pack.	€/pc
OCCAMI	CA MINI	50	122	150	24	
OCCA05	CA 5"	70	127	200	70	
OCCA07	CA 7"	70	178	300	35	
OCCA09	CA 9" 3/4	70	248	500	35	
OCCA20	CA 20"	70	508	750	20	



Code	Description	Ø mm	Height mm	Flow rate l/h	Pieces per pack.	€/pc
CA100014	GAC 9" 3/4	70	248	200	25	
CA100013	GAC 20"	70	508	250	20	



## CRYSTALLINE POLYPHOSPHATE CARTRIDGES

Multipurpose plastic cartridges with polyphosphate crystals suitable for civil, technological and industrial uses to protect against scale and corrosion.

**Technical specifications:**

- Standard Ø ext.70mm and Ø int.28mm
- Min/max operating temperature 0°C/30°C
- Polyphosphates in food grade crystals



Code	Description	Ø mm	Height mm	Flow rate l/h	Pieces per pack.	€/pc
OCCPMI	CP MINI	50	122	500	24	
OCCP05	CP 5"	70	127	800	70	
OCCP07	CP 7"	70	178	1000	35	
OCCP09	CP 9" ¾	70	248	1500	35	
OCCP20	CP 20"	70	508	1800	20	

## RESIN CARTRIDGES

Multipurpose plastic cartridges with different resins in relation to the specific civil, technological and industrial uses.

### Technical specifications:

- Standard Ø ext.70mm and Ø int.28mm
- Min/max operating temperature 0°C/30°C
- Mixed-bed, anionic, cationic resins

### MIXED-BED RESIN CARTRIDGES

Code	Description	Ø mm	Height mm	Flow rate l/h	Pieces per pack.	€/pc
OCCRM1	CRM MINI	50	122	10	24	
OCCR05	CRM 5"	70	127	10	70	
OCCR07	CRM 7"	70	178	15	35	
OCCR09	CRM 9" 3/4	70	248	25	35	
OCCR20	CRM 20"	70	508	40	20	



### ANION RESIN CARTRIDGES FOR NITRATES

Code	Description	Ø mm	Height mm	Flow rate l/h	Pieces per pack.	€/pc
OCRAM1	CRA MINI	50	122	20	24	
OCRA05	CRA 5"	70	127	25	70	
OCRA07	CRA 7"	70	178	30	35	
OCRA09	CRA 9" 3/4	70	248	50	35	
OCRA20	CRA 20"	70	508	90	20	



### CATIONIC RESIN CARTRIDGES

Code	Description	Ø mm	Height mm	Flow rate l/h	Pieces per pack.	€/pc
OCRCM1	CRC MINI	50	122	20	24	
OCRC05	CRC 5"	70	127	25	70	
OCRC07	CRC 7"	70	178	30	35	
OCRC09	CRC 9" 3/4	70	248	50	35	
OCRC20	CRC 20"	70	508	90	20	





## EMPTY CONTAINER CARTRIDGE

Multi-purpose plastic cartridges inside which various materials can be inserted according to specific civil, technological or industrial uses.

### Technical specifications:

- Standard Ø ext.70mm and Ø int.28mm
- Min/max operating temperature 0°C/30°C



Code	Description	Ø mm	Height mm	Pieces per pack.	€/pc
OCCVMI	CV MINI	50	122	28 - 192	
OCCV05	CV 5"	70	127	70	
OCCV07	CV 7"	70	178	35	
OCCV09	CV 9" 3/4	70	248	35	
OCCV20	CV 20"	70	508	20	

## EMPTY MATTE CONTAINER EMPTY CONTAINER CARTRIDGE

### CV0014

- Empty White 9"3/4 openable cartridge
- Dimensions Ø 2.5"x 10"
  - Maximum operating temperature 50°C
  - Pack of 50 pcs

### CAR3008

- White Refill empty cartridge for minerals
- Dimensions Ø 2.5"x 10"
  - Maximum operating temperature 50°C
  - Pack of 50 pcs

### CAR3008-2

- White Refill empty cartridge for minerals
- Dimensions Ø 2.5"x 20"
  - Maximum operating temperature 50°C
  - Pack of 25 pcs



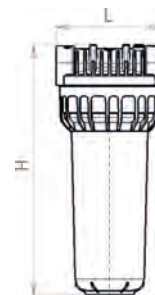
Code	Description
CV100014	Empty White 9"3/4 openable cartridge
CAR3008	Empty refillable cartridge 2½"x10" White
CAR3008-2	Empty refillable cartridge 2½"x20" White

# CARTRIDGE CASES AMG PLASTIC CONTAINERS SERIES 6

Container for domestic and technological use for the treatment of neutral pH drinking water.

### Technical specifications:

- Max. operating pressure 8 bar
- Min/max operating temperature 0°C/30°C
- Filled polypropylene head and ferrule
- SAN vase
- Installable with brackets
- All 20" vessels are supplied with 1/2" drain and cap



### WITH BRASS INSERTS - TRANSPARENT VASE

Code	Description	Connections	H Cartridge	L mm	H mm	Flow rate l/h	Pcs per pack	€/pc
OA3050311	P603 ci	1/2"	5	125	195	6000	24	
OA3070311	P603 ci	1/2"	7	125	245	6000	12	
OA3090311	P603 ci	1/2"	9" 3/4	125	307	6000	12	
OA3200311	P603 ci	1/2"	20	125	588	6000	6	
OA3050411	P603 ci	3/4"	5	125	195	6500	24	
OA3070411	P603 ci	3/4"	7	125	245	6500	12	
OA3090411	P603 ci	3/4"	9" 3/4	125	307	6500	12	
OA3200411	P603 ci	3/4"	20	125	588	6500	6	
OA3050511	P603 ci	1"	5	125	195	7000	24	
OA3070511	P603 ci	1"	7	125	245	7000	12	
OA3090511	P603 ci	1"	9" 3/4	125	307	7000	12	
OA3200511	P603 ci	1"	20	125	588	7000	6	
OA3050611	P603 ci	1" 1/4	5	125	195	13000	24	
OA3070611	P603 ci	1" 1/4	7	125	245	13000	12	
OA3090611	P603 ci	1" 1/4	9" 3/4	125	307	13000	12	
OA3050711	P603 ci	1" 1/2	5	125	195	13000	24	
OA3070711	P603 ci	1" 1/2	7	125	245	13000	12	
OA3090711	P603 ci	1" 1/2	9" 3/4	125	307	13000	12	



### WITH BRASS INSERTS - MATT VASE

Code	Description	Connections	H Cartridge	L mm	H mm	Flow rate l/h	Pcs per pack	€/pc
OA3050341	OP603 ci	1/2"	5	125	195	6000	24	
OA3070341	OP603 ci	1/2"	7	125	245	6000	12	
OA3090341	OP603 ci	1/2"	9" 3/4	125	307	6000	12	
OA3200341	OP603 ci	1/2"	20	125	588	6000	6	
OA3050441	OP603 ci	3/4"	5	125	195	6500	24	
OA3070441	OP603 ci	3/4"	7	125	245	6500	12	
OA3090441	OP603 ci	3/4"	9" 3/4	125	307	6500	12	
OA3200441	OP603 ci	3/4"	20	125	588	6500	6	
OA3050541	OP603 ci	1"	5	125	195	7000	24	
OA3070541	OP603 ci	1"	7	125	245	7000	12	
OA3090541	OP603 ci	1"	9" 3/4	125	307	7000	12	
OA3200541	OP603 ci	1"	20	125	588	7000	6	
OA3090641	OP603 ci	1" 1/4	9" 3/4	125	307	13000	12	
OA3090741	OP603 ci	1" 1/2	9" 3/4	125	307	13000	12	
OA3200741	OP603 ci	1" 1/2	20	125	588	13000	6	



**WITHOUT INSERTS - TRANSPARENT VASE**

Code	Description	Connections	H Cartridge	L mm	H mm	Flow rate l/h	Pcs per pack	€/pc
OA3050310	P603 yes	1/2"	5	125	195	6000	24	
OA3070310	P603 yes	1/2"	7	125	245	6000	12	
OA3090310	P603 yes	1/2"	9" 3/4	125	307	6000	12	
OA3200310	P603 yes	1/2"	20	125	588	6000	6	
OA3050410	P603 yes	3/4"	5	125	195	6500	24	
OA3070410	P603 yes	3/4"	7	125	245	6500	12	
OA3090410	P603 yes	3/4"	9" 3/4	125	307	6500	12	
OA3200410	P603 yes	3/4"	20	125	588	7000	6	
OA3050510	P603 yes	1"	5	125	195	7000	24	
OA3070510	P603 yes	1"	7	125	245	7000	12	
OA3090510	P603 yes	1"	9" 3/4	125	307	7000	12	
OA3200510	P603 yes	1"	20	125	588	7000	6	


**WITHOUT INSERTS - MATT VASE**

Code	Description	Connections	H Cartridge	L mm	H mm	Flow rate l/h	Pcs per pack	€/pc
OA3050340	OP603 yes	1/2"	5	125	195	6000	24	
OA3070340	OP603 yes	1/2"	7	125	245	6000	12	
OA3090340	OP603 yes	1/2"	9" 3/4	125	307	6000	12	
OA3200340	OP603 yes	1/2"	20	125	588	6000	6	
OA3050440	OP603 yes	3/4"	5	125	195	6500	24	
OA3070440	OP603 yes	3/4"	7	125	245	6500	12	
OA3090440	OP603 yes	3/4"	9" 3/4	125	307	6500	12	
OA3200440	OP603 yes	3/4"	20	125	588	7000	6	
OA3050540	OP603 yes	1"	5	125	195	7000	24	
OA3070540	OP603 yes	1"	7	125	245	7000	12	
OA3090540	OP603 yes	1"	9" 3/4	125	307	7000	12	
OA3200540	OP603 yes	1"	20	125	588	7000	6	

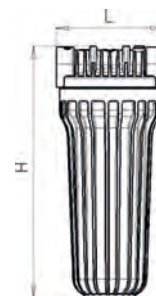


## SERIES 6

Container for domestic and technological use for the treatment of neutral pH drinking water.

### Technical specifications:

- Max. operating pressure 8 bar
- Min/max operating temperature 0°C/30°C
- Filled polypropylene head
- SAN vase
- Installable with brackets



### WITH BRASS INSERTS - TRANSPARENT VASE

Code	Description	Connections	H Cartridge	L mm	H mm	Flow rate l/h	Pcs per pack	€/pc
OA2050311	P602 ci	1/2"	5	125	195	6000	24	
OA2070311	P602 ci	1/2"	7	125	245	6000	12	
OA2090311	P602 ci	1/2"	9" 3/4	125	307	6000	12	
OA2050411	P602 ci	3/4"	5	125	195	6500	24	
OA2070411	P602 ci	3/4"	7	125	245	6500	12	
OA2090411	P602 ci	3/4"	9" 3/4	125	307	6500	12	
OA2050511	P602 ci	1"	5	125	195	7000	24	
OA2070511	P602 ci	1"	7	125	245	7000	12	
OA2090511	P602 ci	1"	9" 3/4	125	307	7000	12	
OA2090611	P602 ci	1 - 1/4	9" 3/4	125	307	13000	12	
OA2090711	P602 ci	1" 1/2	9" 3/4	125	307	13000	12	



### WITH BRASS INSERTS - MATT VASE

Code	Description	Connections	H Cartridge	L mm	H mm	Flow rate l/h	Pcs per pack	€/pc
OA2050341	OP602 ci	1/2"	5	125	195	6000	24	
OA2070341	OP602 ci	1/2"	7	125	245	6000	12	
OA2090341	OP602 ci	1/2"	9" 3/4	125	307	6000	12	
OA2050441	OP602 ci	3/4"	5	125	195	6500	24	
OA2070441	OP602 ci	3/4"	7	125	245	6500	12	
OA2090441	OP602 ci	3/4"	9" 3/4	125	307	6500	12	
OA2050541	OP602 ci	1"	5	125	195	7000	24	
OA2070541	OP602 ci	1"	7	125	245	7000	12	
OA2090541	OP602 ci	1"	9" 3/4	125	307	7000	12	



### WITHOUT INSERTS - TRANSPARENT VASE

Code	Description	Connections	H Cartridge	L mm	H mm	Flow rate l/h	Pcs per pack	€/pc
OA2050310	P602 yes	1/2"	5	125	195	6000	24	
OA2070310	P602 yes	1/2"	7	125	245	6000	12	
OA2090310	P602 yes	1/2"	9" 3/4	125	307	6000	12	
OA2050410	P602 yes	3/4"	5	125	195	6500	24	
OA2070410	P602 yes	3/4"	7	125	245	6500	12	
OA2090410	P602 yes	3/4"	9" 3/4	125	307	6500	12	
OA2050510	P602 yes	1"	5	125	195	7000	24	
OA2070510	P602 yes	1"	7	125	245	7000	12	
OA2090510	P602 yes	1"	9" 3/4	125	307	7000	12	



### WITHOUT INSERTS - TRANSPARENT VASE

Code	Description	Connections	H Cartridge	L mm	H mm	Flow rate l/h	Pcs per pack	€/pc
OA2050340	OP602 si	1/2"	5	125	195	6000	24	
OA2070340	OP602 si	1/2"	7	125	245	6000	12	
OA2090340	OP602 si	1/2"	9" 3/4	125	307	6000	12	
OA2050440	OP602 si	3/4"	5	125	195	6500	24	
OA2070440	OP602 si	3/4"	7	125	245	6500	12	
OA2090440	OP602 si	3/4"	9" 3/4	125	307	6500	12	
OA2050540	OP602 si	1"	5	125	195	7000	24	
OA2070540	OP602 si	1"	7	125	245	7000	12	
OA2090540	OP602 si	1"	9" 3/4	125	307	7000	12	

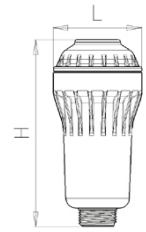


## MICRO SERIES

Container for technical use for in-line filtration.

### Technical specifications:

- 60 micron
- Max. operating pressure 6 bar
- Min/max operating temperature 0°C/40°C
- ABS header
- Transparent SAN vase
- 3/4" M/F threaded connections
- Network cartridge



### WITHOUT BRASS INSERTS - TRANSPARENT VASE

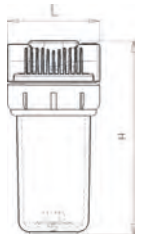
Code	Description	Connections	H Cartridge	L mm	H mm	Flow rate l/h	Pcs per pack	€/pc
OAR030310	MICRO	M/F 3/4"	5" MINI	85	125	4000	24	

## SERIE P333

Container for technical use where great flexibility of use and practicality is required.

### Technical specifications:

- Max. operating pressure 8 bar
- Min/max operating temperature 0°C/30°C
- 3-way head and loaded polypropylene ferrule
- Horizontal/vertical selection with cap and o-ring included
- Installable with brackets



### WITH BRASS INSERTS - TRANSPARENT VASE

Code	Description	Connections	H Cartridge	L mm	H mm	Flow rate l/h	Pcs per pack	€/pc
OAM5AP3131	P333 ci	1/2"	5" MINI	85	168	4500	30	11.90

### WITHOUT INSERTS - TRANSPARENT VASE

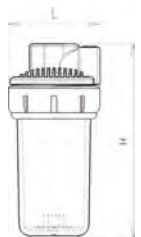
Code	Description	Connections	H Cartridge	L mm	H mm	Flow rate l/h	Pcs per pack	€/pc
OAM5AP3151	P333 yes	1/2"	5" MINI	85	168	4500	30	9.80

## SERIE P332

Container for technical use where great flexibility of use and practicality is required.

### Technical specifications:

- Max. operating pressure 8 bar
- Min/max operating temperature 0°C/30°C
- 2-way 90° IN/OUT head and loaded polypropylene ferrule
- Installable with brackets



### WITH BRASS INSERTS - TRANSPARENT VASE

Code	Description	Connections	H Cartridge	L mm	H mm	Flow rate l/h	Pcs per pack	€/pc
OAM5AP3121	P332 ci	1/2"	5" MINI	85	168	4500	30	

### WITHOUT INSERTS - TRANSPARENT VASE

Code	Description	Connections	H Cartridge	L mm	H mm	Flow rate l/h	Pcs per pack	€/pc
OAM5AP3141	P332 yes	1/2"	5" MINI	85	168	4500	30	



## P300 OR SERIES

Container for domestic and technological use for the treatment of neutral pH drinking water in general.

### Technical specifications:

- Max. operating pressure 8 bar
- Min/max operating temperature 5°C/45°C
- Reinforced technopolymer header
- Transparent plastic vase
- GAS - F swivel brass couplings



### WITH BRASS INSERTS - TRANSPARENT VASE

Code	Description	Connec- tions	H Cartridge	L mm	H mm	Flow rate l/h	Pcs per pack	€/pc
OAM5AP410	P300 OR	3/4" Gas F	4 3/4	110	234	4100	12	
OAM5AP510	P300 OR	1" Gas F	4 3/4	116	234	5800	12	
OAM5AP610	P300 OR	1" 1/4 Gas F	4 3/4	124	234	7000	12	

## P900 SERIES

Container for domestic and technological use for drinking water treatment with a maximum temperature of up to 80°C.

### Technical specifications:

- Max. operating pressure 8 bar
- Min/max operating temperature 0°C/80°C
- Filled polyamide head, pot and ferrule
- Installable with brackets



### WITHOUT INSERTS - TRANSPARENT VASE

Code	Description	Connec- tions	H Cartridge	L mm	H mm	Flow rate l/h	Pcs per pack	€/pc
OAH103470	P900HT	3/4"	9" 3/4	133	310	6000	12	
OAH103570	P900HT	1"	9" 3/4	133	310	6000	12	

## SERIE DUPLEX P600-D

Double housing, assembled with fitting and bracket, for domestic and industrial uses for treatment of drinking and no drinking water, particularly suitable where a double filtration and practicability of the product are required.

### Technical specifications:

- Max working pressure: 8 bar
- Min/max working temperature: 0°C / +40°C
- Brass inserts or without inserts
- Transparent SAN bowl
- On request white polypropylene or polyamide bowl
- Head and ring made of filled polypropylene
- Available in 2 pieces version
- Fitting with Oring
- Double bracket
- Suitable with all cartridges of our range



Code	Description	Connect	Cartr Length	L mm	H mm	Flow Rate lt/h	PC/BOX	Weight box Kg	Unit Weight Kg	Vol.M3
OL29331100	Double container P600-D series 9" 3/4 - 1/2"	1/2"	93/4"	268	358	6000	6	13,20	2,20	0,126
OL29341100	Double container P600-D series 9" 3/4 - 3/4"	3/4"	93/4"	268	358	6500	6	13,20	2,20	0,126
OL29351100	Contentitore Doppio serie P600-D 9" 3/4 - 1"	1"	93/4"	268	358	7000	6	13,20	2,20	0,126
OL22331100	Contentitore Doppio serie P600-D 20" - 1/2"	1/2"	20"	268	639	6000	2	8,40	4,20	0,022
OL22341100	Contentitore Doppio serie P600-D 20" - 3/4"	3/4"	20"	268	639	6500	2	8,40	4,20	0,022
OL22351100	Contentitore Doppio serie P600-D 20" - 1"	1"	20"	268	639	7000	2	8,40	4,20	0,022

## SERIE TRIPLEX P600-T

Triple housing, assembled with fitting and bracket, for domestic and industrial uses for treatment of drinking and no drinking water, particularly suitable where a double filtration and practicability of the product are required.

### Technical specifications:

- Max working pressure: 8 bar
- Min/max working temperature: 0°C / +40°C
- Brass inserts or without inserts
- Transparent SAN bowl
- On request white polypropylene or polyamide bowl
- Head and ring made of filled polypropylene
- Available in 3 pieces version
- Fitting with Oring
- Triple bracket
- Suitable with all cartridges of our range



Code	Description	Connect	Cartr Length	L mm	H mm	Flow Rate lt/h	PC/BOX	Weight box Kg	Unit Weight Kg	Vol.M3
OL39331100	Triple container P600-T series 9" 3/4 - 1/2"	1/2"	93/4"	403	358	6000	4	13,60	3,40	0,099
OL39341100	Triple container P600-T series 9" 3/4 - 3/4"	3/4"	93/4"	403	358	6500	4	13,60	3,40	0,099
OL39351100	Triple container P600-T series 9" 3/4 - 1"	1"	93/4"	403	358	7000	4	13,60	3,40	0,099
OL32331100	Triple container P600-T series 20" - 1/2"	1/2"	20"	403	639	6000	1	4,50	4,50	0,036
OL32341100	Triple container P600-T series 20" - 3/4"	3/4"	20"	403	639	6500	1	4,50	4,50	0,036
OL32351100	Triple container P600-T series 20" - 1"	1"	20"	403	639	7000	1	4,50	4,50	0,036

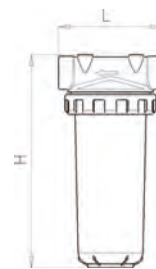
# AMG BRASS-HEADED CONTAINERS

## SERIES SP600

Container for domestic and technological, civil and industrial use for the treatment of neutral pH drinking water, with high standards of mechanical strength and durability.

### Technical specifications:

- Max. operating pressure 12 bar
- Min/max operating temperature 0°C/50°C
- Brass head and ferrule
- Provision for pressure gauges
- Pressure relief screw
- Brackable in 1/2" - 3/4" - 1" versions
- Heads with 1" 1/4 - 1" 1/2 - 2" connections fit GTS cartridges
- Installable with brackets



### POLYAMIDE TOILET - WITHOUT DRAIN

Code	Description	Connections	H Cartridge	L mm	H mm	Flow rate l/h	Pcs per pack	€/pc
OA6090330	SP600	1/2"	9" 3/4	135	337	6000	6	
OA6090430	SP600	3/4"	9" 3/4	135	337	6000	6	
OA6090530	SP600	1"	9" 3/4	135	337	6300	6	
OA6100630	SP600	1" 1/4	9" 3/4	150	355	12000	6	
OA6100730	SP600	1" 1/2	9" 3/4	150	355	13000	6	
OA6100830	SP600	2	9" 3/4	162	363	14000	6	



### POLYAMIDE TOILET - WITH 1/2" THREADED OUTLET

Code	Description	Connections	H Cartridge	L mm	H mm	Flow rate l/h	Pcs per pack	€/pc
OA6090331	SP600sc	1/2"	9" 3/4	135	337	6000	6	
OA6190331	SP600sc	1/2"	19	135	565	6000	6	
OA6090431	SP600sc	3/4"	9" 3/4	135	337	6000	6	
OA6190431	SP600sc	3/4"	19	135	565	6000	6	
OA6090531	SP600sc	1"	9" 3/4	135	337	6300	6	
OA6190531	SP600sc	1"	19	135	565	6300	6	
OA6100631	SP600sc	1" 1/4	9" 3/4	150	355	12000	6	
OA6200631	SP600sc	1" 1/4	19	150	587	12000	6	
OA6100731	SP600sc	1" 1/2	9" 3/4	150	355	13000	6	
OA6200731	SP600sc	1" 1/2	19	150	587	13000	6	
OA6100831	SP600sc	2	9" 3/4	162	363	14000	6	
OA6200831	SP600sc	2	19	162	595	14000	6	

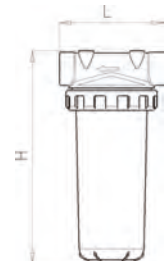


## SERIES SE600

Container for domestic and technological, civil and industrial use for the treatment of neutral pH drinking water, with high standards of mechanical strength and durability.

### Technical specifications:

- Max. operating pressure 8 bar
- Min/max operating temperature 0°C/30°C
- Brass head and ferrule
- Provision for pressure gauges
- Pressure relief screw
- Brackable in 1/2" - 3/4" - 1" versions
- Heads with 1" 1/4 - 1" 1/2 - 2" connections fit GTS cartridges



### SAN POT - WITHOUT DRAIN

Code	Description	Connections	H Cartridge	L mm	H mm	Flow rate l/h	Pcs per pack	€/pc
OA6090310	SE600	1/2"	9" 3/4	135	337	6000	6	
OA6090410	SE600	3/4"	9" 3/4	135	337	6000	6	
OA6090510	SE600	1"	9" 3/4	135	337	6300	6	
OA6100610	SE600	1" 1/4	9" 3/4	150	355	12000	6	
OA6100710	SE600	1" 1/2	9" 3/4	150	355	13000	6	
OA6100810	SE600	2	9" 3/4	162	363	14000	6	



### SAN VESSEL - WITH 1/2" THREADED OUTLET

Code	Description	Connections	H Cartridge	L mm	H mm	Flow rate l/h	Pcs per pack	€/pc
OA6090311	SE600sc	1/2"	9" 3/4	135	337	6000	6	
OA6190311	SE600sc	1/2"	19	135	565	6000	6	
OA6090411	SE600sc	3/4"	9" 3/4	135	337	6000	6	
OA6190411	SE600sc	3/4"	19	135	565	6000	6	
OA6090511	SE600sc	1"	9" 3/4	135	337	6300	6	
OA6190511	SE600sc	1"	19	135	565	6300	6	
OA6100611	SE600sc	1" 1/4	9" 3/4	150	355	12000	6	
OA6200611	SE600sc	1" 1/4	19	150	587	12000	6	
OA6100711	SE600sc	1" 1/2	9" 3/4	150	355	13000	6	
OA6200711	SE600sc	1" 1/2	19	150	587	13000	6	
OA6100811	SE600sc	2	9" 3/4	162	363	14000	6	
OA6200811	SE600sc	2	19	162	595	14000	6	



## SERIES SX600

Brass head and stainless steel vessel for industrial use with high standards of mechanical strength and reliability in high-temperature applications.

**Technical specifications:**

- Max. operating pressure 15 bar
- Min/max operating temperature 0°C/90°C
- Brass head and ferrule
- Provision for pressure gauges
- Pressure relief screw
- Brackable in 1/2" - 3/4" - 1" versions
- Heads with 1" 1/4 - 1" 1/2 - 2" connections fit GTS or XSM cartridges



**AISI 304 VESSEL - WITH 1/2" THREADED OUTLET**

Code	Description	Connec-tions	H Cartridge	L mm	H mm	Flow rate l/h	Pcs per pack	€/pc
OA6050381	SX600sc	1/2"	5	135	185	6000	12	
OA6090381	SX600sc	1/2"	9" 3/4	135	337	6000	6	
OA6200381	SX600sc	1/2"	20	135	565	6000	6	
OA6070381	SX600sc	1/2"	7	135	235	6000	6	
OA6050481	SX600sc	3/4"	5	135	185	6000	12	
OA6090481	SX600sc	3/4"	9" 3/4	135	337	6000	6	
OA6200481	SX600sc	3/4"	20	135	565	6000	6	
OA6070481	SX600sc	3/4"	7	135	235	6000	6	
OA6050581	SX600sc	1"	5	135	185	6000	12	
OA6090581	SX600sc	1"	9" 3/4	135	337	6300	6	
OA6200581	SX600sc	1"	20	135	565	6300	6	
OA6070581	SX600sc	1"	7	135	235	6000	6	
OA6100681	SX600sc	1" 1/4	9" 3/4	150	355	12000	6	
OA6200681	SX600sc	1" 1/4	20	150	587	12000	6	
OA6100781	SX600sc	1" 1/2	9" 3/4	150	355	13000	6	
OA6200781	SX600sc	1" 1/2	20	150	587	13000	6	
OA6100881	SX600sc	2	9" 3/4	162	363	14000	6	
OA6200881	SX600sc	2	20	162	595	14000	6	

## SX MINI SERIES

Container suitable for technical uses where great flexibility of use with high standards of product strength is required.

**Technical specifications:**

- Max. operating pressure 20 bar
- Min/max operating temperature 0°C/90°C
- Brass head and ferrule
- Horizontal/vertical selection with cap and o-ring included



**AISI 304 POT - WITHOUT DRAIN**

Code	Description	Connec-tions	H Cartridge	L mm	H mm	Flow rate l/h	Pcs per pack	€/pc
OAM34S38	SX mini	1/2"	MINI	85	168	4500	24	

## SP MINI SERIES

Container suitable for technical uses where great flexibility of use with high standards of product strength is required.

**Technical specifications:**

- Max. operating pressure 12 bar
- Min/max operating temperature 0°C/50°C
- Brass head and ferrule
- Horizontal/vertical selection with cap and o-ring included
- 3-way header and brass ring nut



**POLYAMIDE TOILET - WITHOUT DRAIN**

Code	Description	Connec-tions	H Cartridge	L mm	H mm	Flow rate l/h	Pcs per pack	€/pc
OAM43S33	SP mini	1/2"	MINI	85	168	4500	24	



## SE MINI SERIES

Container suitable for technical uses where great flexibility of use with high standards of product strength is required.

### Technical specifications:

- Max. operating pressure 8 bar
- Min/max operating temperature 0°C/30°C
- Brass head and ferrule
- Horizontal/vertical selection with cap and o-ring included
- 3-way header and brass ring nut



### SAN POT - WITHOUT DRAIN

Code	Description	Connections	H Cartridge	L mm	H mm	Flow rate l/h	Pcs per pack	€/pc
OAM43S31	SE mini	1/2"	MINI	85	168	4500	24	

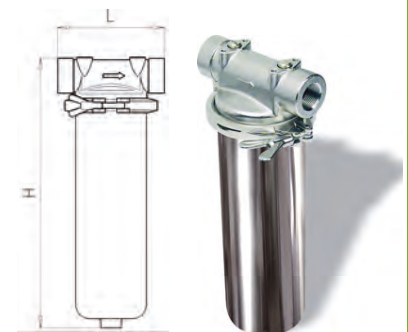
## CONTAINERS IN AISI 316 AMG

### XX800 SERIES

Completely stainless steel container for industrial and food use or chemical for the filtration of aggressive liquids.

### Technical features:

- Max working pressure 15 bar
- Min/max operating temperature 0°C/90°C
- Head, clamp and bowl in AISI 316
- M6 INOX cartridge tension rod
- Predisposition for pressure gauges
- Pressure relief screw
- Brackable



### AISI 316 VESSEL - WITH 1/2" THREADED DRAIN

Code	Description	Attacks	H Cartridge	L mm	H mm	Flow rate l/h	PCS for pack.	€/pz
OA8050401	XX800sc	3/4"	5"	134	200	6500	6	
OA8070401	XX800sc	3/4"	7"	134	250	6500	6	
OA8090401	XX800sc	3/4"	9" 3/4	134	320	6500	6	
OA8200401	XX800sc	3/4"	20"	134	585	6500	6	
OA8300401	XX800sc	3/4"	30"	134	840	6500	1	
OA8050501	XX800sc	1"	5"	134	200	7000	6	
OA8070501	XX800sc	1"	7"	134	250	7000	6	
OA8090501	XX800sc	1"	9" 3/4	134	320	7000	6	
OA8200501	XX800sc	1"	20"	134	585	7000	6	
OA8300501	XX800sc	1"	30"	134	840	7000	1	

# FILTER COMPARISON TABLE

2.0

Filter cartridges and containers

		P 602/603				SP, SE						LH	
		1/2" 3/4" 1"-H5" 7" 9"3/4	1"1/4 1"1/2"- H5" 7" 9"3/4	1/2" 3/4" 1" H 20" with 1/2" outlet	1"1/4 1"1/2" H20" with 1/2" outlet	1/2" 3/4" 1" H 9"3/4	1/2" 3/4" 1" H 9"3/4	1"1/4 1"1/2 2" H 9"3/4	1"1/4 1"1/2 2" H 9"3/4	1/2" 3/4" 1" H=20 with 1/2" outlet	1"1/4 1"1/2 2" H=20 with 1/2" outlet	3/4" 1"-H5" 7" 9" 3/4 with 1/2" outlet	3/4" 1"-H20" with 1/2" outlet
<b>CNA</b>	Wound wire	●		●	●	●				●			
<b>CFC</b>	Wound wire + GAC	●		●	●	●							
<b>PP</b>	Extruded PP	●		●	●	●				●			
<b>GT</b>	Washable PET mesh	●				●	●						
<b>GTL 19"</b>	Washable PET mesh									●			
<b>GTL 20"</b>	Washable PET mesh			●									
<b>GTS</b>	Washable PET mesh		●					●					
<b>GTS 19"</b>	Washable PET mesh										●		
<b>GTS 20"</b>	Washable PET mesh				●								
<b>GT/AP</b>	Washable PET mesh						●			●			
<b>GTS/AP</b>	Washable PET mesh							●			●		
<b>XP</b>	Folded AISI 316 mesh					●				●		●	●
<b>GTX</b>	Plain AISI 316 mesh	●		●		●				●		●	●
<b>GTSX</b>	Plain AISI 316 mesh		●		●			●	●				
<b>X</b>	Plain AISI 316 mesh	●		●		●				●			
<b>XM/AP</b>	Plain AISI 316 mesh						●					●	●
<b>XSM</b>	Plain AISI 316 mesh								●		●		
<b>CAL</b>	Plain AISI 304 mesh	●											
<b>CX</b>	Extruded carbon	●		●		●							
<b>CAB</b>	Extruded carbon	●		●									
<b>AG CAB</b>	Sintered carbon with AG	●											
<b>CV</b>	Refillable cartridge	●		●		●				●			

LH		XX		SERIES MINI	P331 P332 P333	Water Big	P900HT	AP500		AP600	
1" 1/4 1" 1/2 2" H 9" 3/4 with 1/2" outlet	1" 1/4 1" 1/2 2" H 20" with 1/2" outlet	3/4" 1"-H5" 7" 9" 3/4 with 1/2" outlet	3/4" 1"-H20"  with 1/2" outlet	Mini SP Mini SE Mini SX	1/2"  H 5"		3/4" 1" H 9"3/4	3/4" 1" H 9"3/4 20"	1" 1/4 1" 1/2 H 9"3/4 20"	3/4" 1" H 9"3/4 20"	1" 1/4 1" 1/2 2" H 9"3/4 20"
				•	•	•	•				
				•	•	•					
				•	•		•				
									•	•	
•	•								•		•
		•	•	•							
		•	•		•		•				
•	•	•	•	•							
		•	•							•	
•	•										•
							•				
					•						

# 2.0

Filter cartridges and containers

## ACCESSORIES AND SPARE PARTS FOR AMG CONTAINERS

### ACCESSORIES AND SPARE PARTS FOR PLASTIC CONTAINERS

Code	Description	€
3041100021	Single bracket mod. P600 blue plastic	
3041100041	Single bracket mod. P300 blue plastic	
3041200021	Double bracket mod. P600 blue plastic	
3041200041	Double bracket mod. P300 blue plastic	
3041300021	Triple bracket mod. P600 blue plastic	
3051000903	Key mod. P600/700 short model	
303P20520	Transparent SAN vessel 5" for P602	
303P205P0	Transparent SAN vessel 5" for P603	
303P20720	Transparent SAN vessel 7" for P602	
303P207P0	Transparent SAN vessel 7" for P603	
303P20920	SAN transparent vessel 9" 3/4 for P602	
303P209P0	SAN transparent vessel 9" 3/4 for P603	
303P219S1	SAN transparent 20" toilet with outlet for P603 and SE600	
303P2MIG0	Transparent SAN vessel for P333/P332/P331	
3K00011MI	Diffuser kit for P300 filters	
502OR03068	Gasket for P332/P333	
502OR4362	Gasket for P600	
303PE09P0	Transparent PET jar 9" 3/4	
32704	Cartridge joint	
52000003	Spare spring for Inox AP cartridges	

### ACCESSORIES AND SPARE PARTS FOR PLASTIC BRASS CONTAINERS

Code	Description	€
3042200042	Double bracket P300 and S MINI	

### ACCESSORIES AND SPARE PARTS FOR BRASS/STEEL CONTAINERS

Code	Description	€
508001	Pressure gauge 0-6 BAR radial DN40	
5030004	Drain cock 1/2"	
3042100043	Single mini stainless steel bracket	
3042100072	Single metal S600 bracket	
3042100083	Stainless steel XX800 single bracket	
3042200043	Stainless steel double bracket for MINI containers	
3051000503	Key mod. S600	
3052000100	Galvanised steel spanner for S600	
3051000603	Chiave mod. P300 & S mini	
3112100018	Plug 1/2" stainless steel 316 for vessel drainage	
3112100028	Plug 1/8" stainless steel 316	
302S1	Nickel-plated brass ring nut	
303P293P0	Transparent SAN tank 9" 3/4 for SE600 and Aquasoft	
303P319S1	Transparent polyamide 19/20" toilet with drain	
303P393P0	Polyamide tank 9" 3/4 for SP600 and COMBI	
303P393P1	Polyamide toilet 9" 3/4 with drain for SP600sc	
303X20S1	SX 20" stainless steel toilet with drain	
303X93S1	SX 9" 3/4 stainless steel tank with drain	
3K000001	Kit distr. Combi for softener	
3K000002	Kit distr. FB	
3K000004	Combi/FB drawer complete kit	
3K000005	Spring exhaust kit	
3K000006	Gasket kit	
3K000013	Automatic Exhaust Device Kit	

## PLASTIC CONTAINERS WL

### CONTAINERS 2 PIECES WL

Container for domestic and technological use for the treatment of neutral pH drinking water.



#### Technical specifications:

- Max. operating pressure 6 bar
- Min/max operating temperature 0°C/30°C
- Filled polypropylene head and ferrule
- Installable with brackets

Code	Description	Connections (NPT)	H Cartridge	€/pc
CP100010	Container CP	1/4"	5	
CP100014	Container CP	1/4"	9" 3/4	

## ACCESSORIES FOR WL CONTAINERS

Code	Description	€
CP100134	Plastic spanner for CP5	
CP100135	Plastic spanner for CP 9" 3/4	
CAR2004	Steel bracket for two filters	

## WATER SERIES CONTAINERS BIG WL

Container for domestic and technological use for the treatment of neutral pH drinking water.

#### Technical specifications:

- Max. operating pressure 8 bar
- Min/max operating temperature 0°C/30°C
- Filled polypropylene head and ferrule
- Opaque vase in filled polypropylene
- For 9"3/4 and 20" MAXI cartridges
- Installable with brackets



Code	Description	Connections (NPT)	H Cartridge	L mm	H mm	€/pc
WB100044	Water Big container	1"	9" 3/4	185	348	
WB100064	Water Big container	1" 1/2	9" 3/4	185	348	
WB100046	Water Big container	1"	20	185	608	
WB100066	Water Big container	1" 1/2	20	185	608	

## ACCESSORIES FOR WATER CONTAINERS BIG WL

Code	Description	€
CP100111	White painted single bracket for Water Big	
WB100047	Plastic spanner for WaterBig	



# POLYPHOSPHATE DISPENSERS

## CRYSTALSOFT SERIES

Dosing unit useful for safeguarding washing machines and dishwashers by reducing limescale build-up on pipes and heating elements.

**Technical specifications:**

- Max. operating pressure 4 bar
- Operating temperature: from -0°C to +30°C.
- ABS header
- Transparent SAN vase
- 3/4" M/F threaded connections

Code	Description	Connections	L mm	H mm	Flow rate l/h	PZ per pack	€
OFICS4S	SOFT S with polyphosphates	MF-3/4	60	125	500	24	
OFICS4V	SOFT V vacuum	MF-3/4	60	125	500	24	

**PACKED IN BLISTER PACKS**

Code	Description	Connections	L mm	H mm	Flow rate l/h	PZ per pack	€
OFICS4S00B	SOFT B with polyphosphates blistered	MF-3/4	60	125	500	24	



## CRYSTALSOFT B SERIES

Polyphosphate dispenser designed for use in dishwashers and water heaters.

**Technical specifications:**

- Max. operating pressure 8 bar
- Operating temperature: from -0°C to +30°C.
- 3-way header, polypropylene ring nut and cap
- Transparent SAN vase
- Preloaded with polyphosphate crystals

Code	Description	€
OFICB3	Cristalsoft B 1/2" polyphosphate dispenser	



## SERIE CRISTALSOFT MAX

Filter for industrial use for dosing polyphosphates, applicable on solar panel circuits, boilers, etc.

**Technical specifications:**

- Max. operating pressure 8 bar
- Operating temperature: from -0°C to +30°C.
- Polypropylene head and ring nut
- Transparent SAN vase
- Preloaded with polyphosphate crystals

Code	Description	Connections	L cartridge	L mm	H mm	Flow rate l/h	PZ per pack	€
OFIC5310	MAX ci	1/2"	5	123	200	6000	24	
OFIC5320	MAX ci	1/2"	7	123	260	6000	12	
OFIC5330	MAX ci	1/2"	9" 3/4	123	310	6000	12	
OFIC5410	MAX ci	3/4"	5	123	200	6500	24	
OFIC5420	MAX ci	3/4"	7	123	260	6500	12	
OFIC5430	MAX ci	3/4"	9" 3/4	123	310	6500	12	
OFIC5510	MAX ci	1"	5	123	200	7000	24	
OFIC5520	MAX ci	1"	7	123	260	7000	12	
OFIC5530	MAX ci	1"	9" 3/4	123	310	7000	12	



## ACCESSORIES AND SPARE PARTS FOR AMG POLYPHOSPHATE DISPENSERS

Code	Description	€
3K0001105	Diffuser kit for P600 5" filters	
3K0001107	P600 7" Filter Diffuser Kit	
3K0001109	Diffuser kit for P600 filters 9" 3/4	
3K0001120	P600 20" Filter Diffuser Kit	



## PROPORTIONAL POLYPHOSPHATE DISPENSERS

Proportional dosing of polyphosphates to protect systems against the action of limescale.

### SERIES DP NICKEL-PLATED BRASS

#### Technical specifications:

- Max. operating pressure 8 bar
- Operating temperature: from -5°C to +45°C.
- Swivelling 1/2" couplings
- Flow rate 1,5 m<sup>3</sup>/h

Code	Description
OF2DP2000I	Polyphosphate Dispenser DP200 1/2" F H230 L75 diam. 65 Polyphosphate refill 80g
OF2DP20I0I	Polyphosphate dosing unit with by-pass DP200 1/2" F H230 L75 diam. 65 Polyphosphate refill 80g
OF2DP2E0	Polyphosphate dispenser DP200 Easy 1/2" M H145 L75 Polyphosphate refill 80g
OF2DP2E1	Polyphosphate dosing unit with by-pass DP200 Easy 1/2" M H145 L75 Polyphosphate refill 80g



### SERIES DP BRASS PLASTIC

#### Technical specifications:

- Max. operating pressure 8 bar
- Operating temperature: from -5°C to +45°C.
- Swivelling 1/2" couplings
- Flow rate 2 m<sup>3</sup>/h-

Code	Description
OF2DP2EP	Polyphosphate dispenser DP200 EASY PLUS 1/2" F H145 L75 Polyphosphate refill 80g



### DP300 OR

Proportional high-flow polyphosphate dosing unit.

#### Technical specifications:

- Max. operating pressure 8 bar
- Operating temperature: from -5°C to +45°C.
- Reinforced technopolymer header
- Transparent plastic vase
- Swivelling GAS-F couplings with brass swivel fittings
- No. 1 polyphosphate refill included

Code	Description
OF2DPO40	Polyphosphate dispenser DP300 OR 3/4" F H321 L110 Polyphosphate refill 500g
OF2DPO50	Polyphosphate dispenser DP300 OR 1" F H321 L116 Polyphosphate refill 500g
OF2DPO60	Polyphosphate dispenser DP300 OR 1" 1/4" F H321 L187 Polyphosphate refill 500g



**ACCESSORIES**

Code	Description	€
3051000103	Wrench	
3K000101	Pack of 6 ready-to-use polyphosphate anti-crease and anti-corrosion refills	
32531001N	Extension 1/2" to distance dosing unit from boiler	
3K000114	0.5 kg pack of polyphosphate anti-scale and anticorrosive powder	

**PROPORTIONAL DOSING SPARE PARTS**

**POLYPHOSPHATE REFILLS**

Code	Description	€
DP100013	Pre-hardened polyphosphate salt refill for DP DX 6-pack	
DP100014	DP MAX pre-hardened powder polyphosphate salt refill pack of 2.	
DP100020	Polyphosphate powder for feeders, in 1 kg packages	

**BOILER PROTECTION SYSTEMS  
FILTER SLUDGE REMOVAL UNIT EASY**

The sludge removal unit is a special filter for closed circuits of heating systems, designed to remove impurities such as sand, sludge and ferrous residues. The operating principle is both magnetic filtration, with a neodymium magnet housed in the centre of the filter, and mechanical filtration with a 500 micron stainless steel filtering mesh. Its special design allows it to be installed in-line, upside-down and with a 90° inlet-outlet. In the free connection it is possible to install a drain valve for rinsing, or (if positioned at the top) a manual or automatic venting device, or to prepare the connection for the loading of chemicals into the system by means of a pump.

**Technical specifications:**

- Compatible fluid: Water with glycol Max 30%
- Maximum pressure 3 bar 300 kPa
- Temperature: min./max.= +5/+90 °c
- Degree of filtration 500 µm
- Magnet power 3000 Gauss
- Diameter 83 mm
- Length 143 mm
- Connections F 3/4 G
- Boiler output up to 25kW

Code	Description	€
ONEA001	EASY 3/4" F deflector filter	

**ACCESSORIES**

Code	Description	€
3041100042	Wall bracket for mod. Easy	
305100603	Wrench	



## MICRO SLUDGE REMOVAL UNIT FILTER

The sludge removal unit is a special filter for closed circuits of heating systems, designed to remove impurities such as sand, sludge and ferrous residues. The operating principle is both magnetic filtration, with a neodymium magnet housed in the centre of the filter, and mechanical filtration with a 500 micron stainless steel filtering mesh. Its special design allows it to be installed in-line, upside-down and with a 90° inlet-outlet.

### Technical specifications:

- Min.-Max. operating temperature: 5°C-90°C
- Maximum working pressure 8 bars
- Degree of filtration: 500 µm
- Compatible fluid: Water with glycol max. 30%.
- Magnet power: up to 12000 Gauss
- Boiler power: 25 kW
- Reinforced technopolymer header and vase
- Vertical and horizontal installation with in-line or 90° connections
- Shut-off valve and vent valve as standard
- Provision for loading/unloading chemical agents
- Quick cleaning without disassembly

Code	Description	€
ONMI001	MICRO 3-way deflector filter 3/4" F	

### ACCESSORIES

Code	Description	€
3041100062	Wall bracket for mod. Micro	
3051001003	Wrench	



## DEFLECTOR FILTER OR

The sludge removal unit is a special filter for closed circuits of heating systems, designed to remove impurities such as sand, sludge and ferrous residues. The operating principle is both magnetic filtration, with a neodymium magnet housed in the centre of the filter, and mechanical filtration with a 500 micron stainless steel filtering mesh. Its special design allows it to be installed in-line, upside-down and with a 90° inlet-outlet.

### Technical specifications:

- Compatible fluid: Water with glycol Max 30%
- Maximum pressure 12 bar
- Temperature: min./max.= +5/+90 °c
- Degree of filtration 500 µm
- Magnet power 12000 Gauss
- GAS-F swivel brass couplings
- Boiler output 35kW

Code	Description	€
ONMO401	Mud filter OR 3/4" F	
ONMO501	Mud filter OR 1" F	
ONMO601	Mud filter OR 1" 1/4" F	

### ACCESSORIES

Code	Description	€
3051000603	Wrench	



## CONDENSATE NEUTRALISERS

### NEUTRA V MICRO

The NEUTRA V Micro is a device designed for easy installation on the condensate outlet of new condensing boilers. The NEUTRA V Micro can solve the problem of acidic wastewater destined for the sewerage system.

Environmental regulations in many countries (in Italy UNI7129-5:2015), require water with a pH value between 5.5 and 9.5 in sewage. The operating principle consists of flowing the acidic condensate through the mineral in anti-clogging spheres, which slowly dissolves and neutralises the acidity.

#### Technical specifications:

- Compatible fluid: Boiler condensate drain
- Maximum pressure 3 bar 300 kPa
- Temperature: min./max.= +5/+55 °c
- Max. flow rate 3 l/h
- Mineral capacity 110 g
- Diameter 45 mm
- Length 240 mm
- 3/4" G+Hose connections d. 12
- Boiler output up to 25kW

Complete with :

- Alkaline granular in anti-clogging spheres
- N 3 Hose Couplings



Code	Description	€
0F724C41	Neutral V Micro d.12	
0F724C411	Neutral V Micro d.20	

#### ACCESSORIES

Code	Description	€
3k000125	0.50 kg alkaline granular beads	
3k000126	Alkaline granular filler 6 pcs. x 90 gr.	
3041100062	White Micro Bracket for Neutra V Micro	

## NEUTRA V

The NEUTRA V is a device designed for easy installation on the condensate outlet of new condensing boilers. NEUTRA V is able to solve the problem of acidic waste water destined for the sewerage system. Environmental regulations in many countries (in Italy UNI7129-5:2015), require water with a pH value between 5.5 and 9.5 in sewage. The operating principle consists of flowing the acidic condensate through the mineral in anti-clogging spheres, which slowly dissolves and neutralises the acidity.

### Technical specifications:

- Compatible fluid: Boiler condensate drain
- Maximum pressure 3 bar 300 kPa
- Temperature: min./max.= +5/+55 °c
- Max. flow rate 3 l/h
- Mineral capacity 220 g
- Diameter 85 mm
- Length: 215 mm
- Connections 1/2" G+Hose connections d. 16
- Boiler output up to 35kW

Complete with :

- Alkaline granular in anti-clogging spheres
- N 2 Hose Couplings
- N 1 Wall bracket included

Code	Description	€
OF713M41	Neutral V	



### ACCESSORIES

Code	Description	€
3k000125	0.50 kg alkaline granular beads	
3k000126	Alkaline granular filler 6 pcs. x 90 gr.	
3041100042	Mini white bracket for Neutra V	



# SELF-CLEANING FILTERS

## AMG CLEANING FILTER SERIES



### AP 300

Self-cleaning filter housing by shaking, for domestic and technological use. suitable for treatment of drinking water with neutral ph, for removal of suspended particles and sediments.

**Technical specifications:**

- Max. working pressure 8 bar
- Min/max. working temperature 0°C / +30°C
- Three ways head and ring made of filled polypropylene
- Choice of horizontal or vertical way-out by means of thread plug + OR
- Transparent SAN bowl with discharge brass insert 1/2"
- Waste pipe faucet
- Cartridge with washable polyester net 50 micron (included)
- Possibility to equip with wall bracket



Code	Description	Connections	H Cartridge	L mm	H mm	Flow rate m³/h	Pcs/Box	Weight Box Kg	Unit Weight Kg	Vol M3
OB3MI3303	AP 300 Mini5"	1/2"	5"MINI	85	290	4.500	30	15,90	0,53	0,098

### AP MINI

**Technical specifications:**

- Max. working pressure 8 bar
- Min/max. working temperature 0°C / +30°C
- Nickel plated brass head three ways and ring
- Choice of horizontal or vertical way-out by means of thread plug + OR
- Transparent SAN bowl with discharge brass insert 1/2"
- Waste pipe faucet
- Cartridge with washable polyester net 50 micron (included)
- Possibility to equip with wall bracket



Code	Description	Connections	H Cartridge	L mm	H mm	Flow rate m³/h	Pcs/Box	Weight Box Kg	Unit Weight Kg	Vol M3
OB7MI3303	Cleaning filter AP 300 Mini5" brass head	1/2"	5"MINI	85	290	4.500	30	30,00	1,00	0,098

# AMG CLEANING FILTER SERIES

## AP300 OR

### Technical specifications:

- Max. operating pressure 8 bar
- Min/max operating temperature 5°C/45°C
- GAS - F swivel brass couplings
- Reinforced technopolymer head
- Transparent plastic toilet with 1/2" brass outlet
- Drain cock with hose connector
- Washable 60 micron polyester mesh cartridge (included)

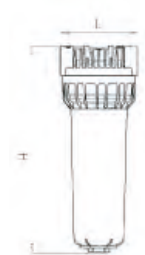


Code	Description	Connections	H Cartridge	L mm	H mm	Flow rate m <sup>3</sup> /h
OBOMI3400	AP300 OR	3/4" GAS F	4"3/4	110	321	4.1
OBOMI3500	AP300 OR	1" GAS F	4"3/4	116	321	5.8
OBOMI3600	AP300 OR	1" 1/4 GAS F	4"3/4	124	321	7.0

## AP 500

### Technical specifications:

- Max. operating pressure 8 bar
- Min/max operating temperature 0°C/30°C
- Brass inserts
- Filled polypropylene head and ferrule
- Transparent SAN toilet with 1/2" brass outlet
- Drain cock with hose connector
- Washable 60 micron polyester mesh cartridge (included)
- Installable with brackets
- Heads with 1"1/4, 1"1/2, 2" connections fit GTS/AP cartridges



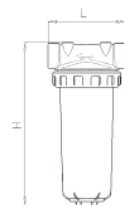
Code	Description	Connections	H Cartridge	L mm	H mm	Flow rate m <sup>3</sup> /h
OB109140	AP500	3/4"	9"3/4	123	418	6.5
OB120140	AP500	3/4"	20	123	668	6.5
OB109150	AP500	1"	9"3/4	123	418	7.0
OB120150	AP500	1"	20	123	668	7.0
OB109160	AP500	1"1/4	9"3/4	123	418	13.0
OB120160	AP500	1"1/4	20	123	668	13.0
OB109170	AP500	1"1/2	9"3/4	123	418	13.0
OB120170	AP500	1"1/2	20	123	668	13.0



## AP 600

### Technical specifications:

- Max. operating pressure 12 bar
- Min/max operating temperature 0°C/50°C
- Brass head and ferrule
- Transparent polyamide toilet with 1/2" brass outlet
- Drain cock with hose connector
- Washable stainless steel cartridge 60 microns (included)
- Predisposition for Manometer
- Installable with brackets
- Heads with 1"1/4, 1"1/2, 2" connections fit XSM cartridges



Code	Description	Connections	H Cartridge	L mm	H mm	Flow rate m <sup>3</sup> /h	€/pc
OB209141	AP600	3/4"	9"3/4	135	397	6,5	
OB219141	AP600	3/4"	20	135	565	6,5	
OB209151	AP600	1"	9"3/4	135	397	7.0	
OB219151	AP600	1"	20	135	565	7.0	
OB210161	AP600	1"1/4	9"3/4	150	415	13.0	
OB220161	AP600	1"1/4	20	150	565	13.0	
OB210171	AP600	1"1/2	9"3/4	150	415	13.0	
OB220271	AP600	1"1/2	20	150	565	13.0	
OB210181	AP600	2	9"3/4	162	423	14,0	
OB220281	AP600	2	20	162	603	14,0	



## FILTER WITH BUILT-IN BY-PASS SYSTEM

### BY-PASS

### Technical specifications:

- Filter with built-in BY-PASS system
- Maximum pressure: 8 bars
- Operating temperature: 0°C to 30°C
- 3/4 or 1" GAS brass connections
- Filled polypropylene header and ring nut
- Transparent SAN vase
- Vent plug
- Internal by-pass selector in POM
- Installable with brackets

Code	Description	Connections	H Cartridge	L mm	H mm	Flow rate m <sup>3</sup> /h	€/pc
OAY090411	BY-PASS CI 3/4" 9" 3/4	3/4"	9" 3/4	133	418	6500	
OAY090511	BY-PASS CI 1" 9" 3/4	1"	9" 3/4	133	418	7000	



## AP BY-PASS

### Technical specifications:

- Filter with built-in BY-PASS system
- Maximum pressure: 8 bars
- Operating temperature: 0°C to 30°C
- 3/4 or 1" GAS brass connections
- Filled polypropylene header and ring nut
- Transparent SAN vase
- Drain cock with hose connector
- Vent plug
- Internal by-pass selector in POM
- Washable 60 micron polyester mesh cartridge (included)
- Installable with brackets

Code	Description	Connections	H Cartridge	L mm	H mm	Flow rate m <sup>3</sup> /h	€/pc
OBY0914	AP BY-PASS CI 3/4" 9" 3/4	3/4"	9"3/4	133	307	6500	
OBY0915	AP BY-PASS CI 1" 9" 3/4	1"	9" 3/4	133	307	7000	
OBY2014	AP BY-PASS CI 3/4" 20"	3/4"	20	133	668	6500	
OBY2015	AP BY-PASS CI 1" 20"	1"	20	133	668	7000	



## S-CLEAN PRE-FILTER

### PROTECTS THE ENTIRE INSTALLATION

- It protects your domestic plant from substances such as rust particles, sand and other deposits.
- The high-quality brass head gives a robust, designer look for durable use.
- The filter housing is made of reinforced material, which can withstand freezing down to •30°C.
- Burst•tested with pressures above 50 bar and over 150,000 cycles at 12 bar.
- The filter housing is transparent for easy visual inspection.
- The filter mesh is made of high-precision SS316L up to 40 µm, made of food-grade stainless steel.
- No extra cost for filter replacement and maintenance.
- Forged connections in eco-friendly brass, safe to use.



- Sediment can damage the entire plumbing system, especially valves, nozzles, coils, appliances.

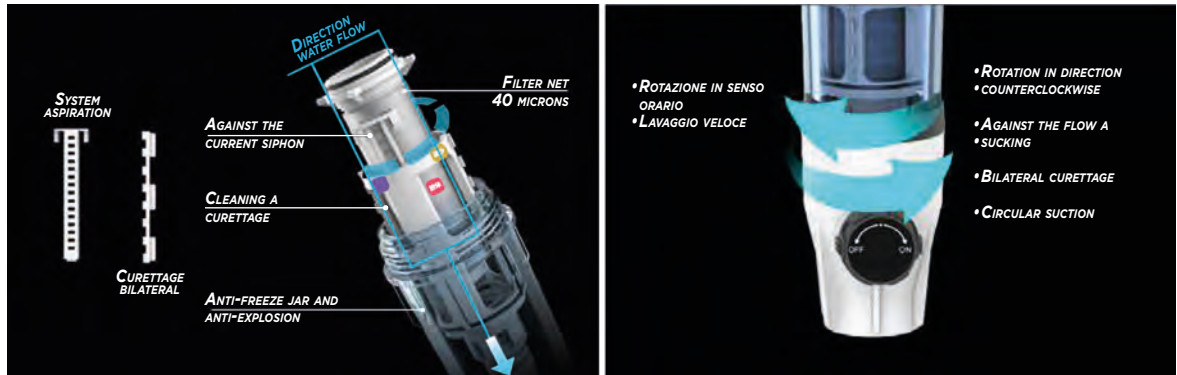
They can also cause corrosion of pipes.

- ONE-BODY DESIGN
- SELF-CLEANING TECHNOLOGY
- BPA FREE FILTER HOUSING
- ANTI-FREEZE AND ANTI-BURST

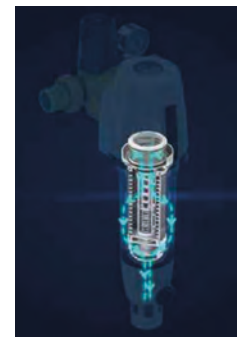


## S-CLEAN ECO

- Highly effective patented rinsing technology. Rotating the part clockwise, the particles can flow towards the drain.
- Suction cup array siphon cleaning technology, rotating the part counterclockwise, the siphon effect is increased to remove clean the particles trapped in the holes of the filter mesh.
- Double-sided cleaning technology, the brushes are made of rubber close to the filter mesh allowing for thorough cleaning with a simple rotary movement
- Patented 360° semi-automatic self-cleaning technology, the filter mesh it is washed in countercurrent with a jet of pressurized and filtered water.
- One-step filter cleaning, just turn the knob to start the hydrodynamic cleaning cycle.



- Patented 360° semi-automatic self-cleaning technology, the filter mesh is washed in countercurrent with a jet of pressurized and filtered water.
- Cleaning the filter with a single step, just rotate the knob to start the hydrodynamic cleaning cycle.



### BACKWASHING WITH FILTERED WATER

#### MANUAL SELF-CLEANERS

Code	Description	Flow rate	Filter mesh	Operating pressure	Connections	Room temperature	€/pc
FACPF3E	Self-cleaning filter S-CLEAN ECO 3 m <sup>3</sup> /h coupl. 3/4" - 1"	3m <sup>3</sup> /h	40µm	0.1MPa-1MPa	3/4" F/M 1" F/M	5°C - 40°C	
FACPF4E	Self-cleaning filter S-CLEAN ECO 4 m <sup>3</sup> /h coupl. 3/4" - 1"	4m <sup>3</sup> /h	40µm	0.1MPa-1MPa	3/4" F/M 1" F/M	5°C - 40°C	
FACPF8E	Self-cleaning filter S-CLEAN ECO 8 m <sup>3</sup> /h coupl. 1" - 1 1/4"	8m <sup>3</sup> /h	40µm	0.1MPa-1MPa	1" F/M 1.25" F/M	5°C - 40°C	



## S-CLEAN STD

- Carefully designed cover, with built-in pressure gauge and display of the water pressure.
- Equipped with a handy maintenance reminder ring that helps to keep clean the prefilter regularly.
- 360° universal connection design, rotatable flange for installation vertical and horizontal.
- All 8 m<sup>3</sup>/h prefilters can be equipped with a module automatic control in seconds.
- Designed with a high flow rate of 8 m<sup>3</sup>/h to meet demand of water use throughout the house.



- All 8 m<sup>3</sup>/h prefilters can be equipped with an automatic control module within seconds.
- Designed with a high flow rate of 8 m<sup>3</sup>/h to meet the water usage demand of the whole house.



### MANUAL SELF-CLEANERS

Code	Description	Flow rate	Filter mesh	Operating pressure	Connections	Room temperature	€/pc
FACPE3M	Self-cleaning filter S-CLEAN STD 3 m <sup>3</sup> /h coupl.3/4" - 1"	3m <sup>3</sup> /h	40µm	0.1MPa-1MPa	3/4" F/M 1" F/M	5°C - 40°C	
FACPE4M	Self-cleaning filter S-CLEAN STD 4 m <sup>3</sup> /h coupl.3/4" - 1"	4m <sup>3</sup> /h	40µm	0.1MPa-1MPa	3/4" F/M 1" F/M	5°C - 40°C	
FACPE8M	Self-cleaning filter S-CLEAN STD 8 m <sup>3</sup> /h coupl.1" - 1"1/4	8m <sup>3</sup> /h	40µm	0.1MPa-1MPa	1" F/M 1.25" F/M	5°C - 40°C	

## S-CLEAN ACCESSORIES

Code	Description	€/pc
FACPF8A	Automatic cleaning system for S-CLEAN filter	

## S-CLEAN SPARE PARTS

Codice	Descrizione	€/pc
FACP0028	Replacement cartridge for S-CLEAN 3-E / M / L self-cleaning	
FACP0029	Replacement cartridge for self-cleaning S-CLEAN 3-E/M/L 90 micro	
FACP0034	Replacement cartridge for S-CLEAN 4-E/M/L self-cleaning	
FACP0025	Replacement cartridge for self-cleaning S-CLEAN 4-E/M/L 90 micro	
FACP0040	Replacement cartridge for S-CLEAN 8-E/M/L self-cleaning	
FACP0041	Replacement cartridge for self-cleaning S-CLEAN 8-E/M/L 90 micro	





## S-CLEAN PRO

- Built-in third-generation pressure reducer with innovative design.
- Automatic pressure regulation within 4 bar to ensure the operation of downstream equipment within certain safety levels.
- Double-action pressure regulating cylinder, wide adjustment range, more accurate control.
- The pressure reducer components are made of forged brass, which increases performance by 10 times compared to traditional diaphragm systems.
- Intelligent touch screen control module.
- Automatic washing: interval days and washing duration can be set manually as required for thorough washing.
- The module has a low power consumption and can be operated with a battery or from the mains.
- Control module design with valve opening and closing function for self-inspection.
- Automatic error alarm. Complete elimination of the risk of losses.
- Modular construction for convenient after-sales service.
- The double pressure gauge shows the inlet pressure and the stabilised pressure after adjustment.

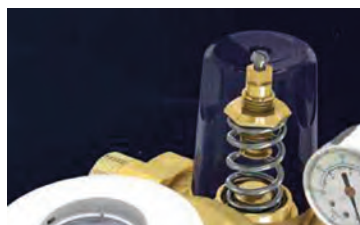


2.0

Filter cartridges and containers



- Intelligent touch screen control module.
- Automatic Washing: Interval days and washing duration can be set manually as needed for thorough washing.
- The module has low energy consumption and can work with a battery or mains electricity.
- Control module design with self-inspection valve opening and closing function.
- Automatic error alarm. Complete elimination of the risk of leaks.
- Modular construction for convenient after-sales service.
- The double pressure gauge shows the inlet pressure and the stabilized pressure after adjustment.



### MANUAL SELF-CLEANERS

Code	Description	Flow rate	Filter mesh	Operating pressure	Connections	Room temperature	€/pc
FACPE3L	Self-cleaning filter S-CLEAN PRO 3 m <sup>3</sup> /h coupl.3/4" - 1"	3m <sup>3</sup> /h	40µm	0.1MPa-1MPa	3/4" F/M 1" F/M	5°C - 40°C	
FACPE4L	Self-cleaning filter S-CLEAN PRO 4 m <sup>3</sup> /h coupl.3/4" - 1"	4m <sup>3</sup> /h	40µm	0.1MPa-1MPa	3/4" F/M 1" F/M	5°C - 40°C	
FACPE8L	Self-cleaning filter S-CLEAN PRO 8 m <sup>3</sup> /h coupl.1" - 1 1/4"	8m <sup>3</sup> /h	40µm	0.1MPa-1MPa	1" F/M 1.25" F/M	5°C - 40°C	

# SPEEDY AND PROFI SERIES

## SPEEDY JSY

Automatic, time-controlled self-cleaning filter with backwash for water up to 30°C according to DIN 19632.

Cleaning the sock with brushes and backwashing by removing dirt at the drain.

The automatism operates the cleaning brushes and opens the drain valve.

The filter cap is made of synthetic Rilsan PN 16; the flange is made of brass with a fixed connection for installation on horizontal pipes; the threaded connection complies with DIN 2999.

The sock is made of stainless steel; the average filter capacity is 100 µm.

The ceramic exhaust valve provides better wear resistance.

The canopy is equipped with a washing reminder calendar.

Exhaust connection in accordance with DIN 1988.

The filter is prepared for the installation of an automatic timed cleaning system.

Compared to manual models in the automatic version, cleaning takes place independently through an operating regulation with four possible schedules: daily, weekly, monthly and bi-monthly.

The backwash is driven by a 9-volt electric motor; the system is equipped with a buffer battery to complete the backwash in the event of a power failure.



# 2.0

Filter cartridges and containers

### MANUAL SELF-CLEANERS

Code	Description	Connections	dp bar	L attachments	Flow rate m <sup>3</sup> /h	€/pc
8070568	SPEEDY JSY - LF	3/4"	0,2	180	3,3	
8070569	SPEEDY JSY - LF	1"	0,2	195	4,5	
8070570	SPEEDY JSY - LF	1 1/4"	0,2	230	5,5	
8070558	SPEEDY JSY - LF	1 1/2"	0,2	252	13,0	
8070559	SPEEDY JSY - LF	2"	0,2	280	17,0	

### TIMED AUTOMATIC SELF-CLEANERS

Code	Description	Connections	dp bar	L attachments	Flow rate m <sup>3</sup> /h	€/pc
8070571	SPEEDYMAT JSY-LF A/T	3/4"	0,2	180	3,3	
8070572	SPEEDYMAT JSY-LF A/T	1"	0,2	195	4,5	
8070573	SPEEDYMAT JSY-LF A/T	1 1/4"	0,2	230	5,5	
8070566	SPEEDYMAT JSY-LF A/T	1 1/2"	0,2	252	13,0	
8070567	SPEEDYMAT JSY-LF A/T	2"	0,2	280	17,0	

## PROFI

Automatic self-cleaning filter with backwash for water up to 30°C according to DIN 19632.

The filter cap is made of Rilsan PN 16 synthetic material; the flange is made of brass with a 360° rotatable screw connection for installation on both vertical and horizontal piping; the threaded connection complies with DIN 2999; the sock is made of stainless steel with a silver bath to reduce bacterial growth; the average filter capacity is 100 µm.

Backwashing is performed by the 9V electric motor acting on the unique point rotation system for simultaneous cleaning of the filter element and inspection glass.

During backwashing, a flow velocity of 5.5 m/s develops, which speeds up the process while consuming less water than conventional systems.

The ceramic exhaust valve provides better wear resistance.

Exhaust connection in accordance with DIN 1988. Cleaning takes place independently with an adjustment: hourly, daily, weekly and monthly (for T versions) and via an adjustable differential pressure switch (for TP versions).

Socks with different filter capacities are available on request.



### MANUAL SELF-CLEANERS

Code	Description	Connections	dp bar	L attachments	Flow rate m <sup>3</sup> /h	€/pc
8010072	PROFI PLUS JPF+	3/4"	0,2	180	4.1	
8010073	PROFI PLUS JPF+	1"	0,2	195	4.7	
8010074	PROFI PLUS JPF+	1"1/4	0,2	230	5,3	
8107012	PROFI PLUS JPF+	1"1/2"	0,2	252	13.0	
8107013	PROFI PLUS JPF+	2	0,2	280	16.0	

### SELF-CLEANING AUTOMATIC TIMED

Code	Description	Connections	dp bar	L attachments	Flow rate m <sup>3</sup> /h	€/pc
8020104	PROFIMAT PLUS JPF+A T	3/4"	0,2	180	4.1	
8020105	PROFIMAT PLUS JPF+A T	1"	0,2	195	4.7	
8020106	PROFIMAT PLUS JPF+A T	1"1/4	0,2	230	5,3	
8307012	PROFIMAT PLUS JPF+A T	1"1/2"	0,2	252	13.0	
8307013	PROFIMAT PLUS JPF+A T	2	0,2	280	16.0	

### SELF-CLEANING AUTOMATIC PRESSURE DIFFERENCE

Code	Description	Connections	dp bar	L attachments	Flow rate m <sup>3</sup> /h	€/pc
8020107	PROFIMAT PLUS JPF+A TP	3/4"	0,2	180	4.1	
8020108	PROFIMAT PLUS JPF+A TP	1"	0,2	195	4.7	
8020109	PROFIMAT PLUS JPF+A TP	1"1/4	0,2	230	5,3	
8020069	PROFIMAT PLUS JPF+A TP	1"1/2"	0,2	252	13.0	
8020073	PROFIMAT PLUS JPF+A TP	2	0,2	280	16.0	

## PROFI FLANGED HIGH FLOW

Manual or automatic self-cleaning filter with backwash for water up to 30°C according to DIN 19632.

The filter cap is made of Rilsan PN 16 synthetic material; the flange is made of brass with a 360° rotatable screw connection for installation on both vertical and horizontal piping; the threaded connection complies with DIN 2999; the sock is made of stainless steel with a silver bath to reduce bacterial growth; the average filter capacity is 100 µm.

Backwashing is performed by the 9V electric motor acting on the unique point rotation system for simultaneous cleaning of the filter element and inspection glass.

During backwashing, a flow velocity of 5.5 m/s develops, which speeds up the process while consuming less water than conventional systems.

The ceramic exhaust valve provides better wear resistance.

Exhaust connection in accordance with DIN 1988.

The DN65 to DN100 models have one filter bag, the DN125 model has 2 filter bags, the DN 150 model has 3 filter bags and the DN 200 model has 4 filter bags.

Cleaning takes place independently with an adjustment: hourly, daily, weekly and monthly (for T versions) and via an adjustable differential pressure switch (for TP versions).



### MANUAL SELF-CLEANERS

Code	Description	Connections	dp bar	L attachments	Flow rate m <sup>3</sup> /h	€/pc
8107014	PROFI JPF	DN 65	0,2	240	25	
8010033	PROFI JPF	DN 80	0,2	320	50	
8010034	PROFI JPF	DN 100	0,2	320	60	
8010035	PROFI JPF	DN 125	0,2	560	100	
8010036	PROFI JPF	DN 150	0,2	560	150	
8010037	PROFI JPF	DN 200	0,2	600	200	

### SELF-CLEANING AUTOMATIC TIMED

Code	Description	Connections	dp bar	L attachments	Flow rate m <sup>3</sup> /h	€/pc
8307014	PROFIMAT JPF-A T	DN 65	0,2	240	25	
8020033	PROFIMAT JPF-A T	DN 80	0,2	320	50	
8020034	PROFIMAT JPF-A T	DN 100	0,2	320	60	

### SELF-CLEANING AUTOMATIC PRESSURE DIFFERENCE

Code	Description	Connections	dp bar	L attachments	Flow rate m <sup>3</sup> /h	€/pc
8020038	PROFIMAT JPF-A TP	DN 65	0,2	240	25	
8020039	PROFIMAT JPF-A TP	DN 80	0,2	320	50	
8020040	PROFIMAT JPF-A TP	DN 100	0,2	320	60	
8020035	PROFIMAT JPF-A TP	DN 125	0,2	560	100	
8020036	PROFIMAT JPF-A TP	DN 150	0,2	560	150	
8020037	PROFIMAT JPF-A TP	DN 200	0,2	600	200	

# 2.0

Filter cartridges and containers





**3.0**

***Industrial steel filters***





# INDUSTRIAL STEEL FILTERS

## AISI 316 L

Fully stainless steel multi-cartridge container for industrial use in liquid filtration.

### Technical specifications:

- Max. operating pressure 8 bar
- Max. operating temperature 40°C at 8 bar and 80°C at 1 bar
- Clamp closure
- Provision for 1/2" pressure gauges
- Exhaust sleeve



Code	Description	Connections	Ø mm	Height mm	Cartridges	€/pc
FM14-0320	Multicartridge Filter - 0320	2" M	168	1125	3 X 20	
FM14-0320F	Multicartridge Filter - 0320F	DN50	168	1125	3 X 20	
FM14-0330	Multicartridge Filter - 0330	2" M	168	1380	3 X 30	
FM14-0330F	Multicartridge Filter - 0330F	DN50	168	1380	3 X 30	
FM14-0340	Multicartridge Filter - 0340	2" M	168	1630	3 X 40	
FM14-0340F	Multicartridge Filter - 0340F	DN50	168	1630	3 X 40	
FM14-0720	Multicartridge Filter - 0720F	2" 1/2	219	1130	7 X 20	
FM14-0720F	Multicartridge Filter - 0720	DN65	219	1130	7 X 20	
FM14-0730	Multicartridge Filter - 0730	2" 1/2	219	1385	7 X 30	
FM14-0730F	Multicartridge Filter - 0730F	DN65	219	1385	7 X 30	
FM14-0740	Multicartridge Filter - 0740	2" 1/2	219	1635	7 X 40	
FM14-0740F	Multicartridge Filter - 0740F	DN65	219	1635	7 X 40	
FM14-0920	Multicartridge Filter - 0920	3"	273	1245	9 X 20	
FM14-0920F	Multicartridge Filter - 0920F	DN80	273	1245	9 X 20	
FM14-0930	Multicartridge Filter - 0930	3"	273	1498	9 X 30"	
FM14-0930F	Multicartridge Filter - 0930F	DN80	273	1498	9 X 30	
FM14-0940	Multicartridge Filter - 0940	3"	273	1748	9 X 40	
FM14-0940F	Multicartridge Filter - 0940F	DN80	273	1748	9 X 40	
FM14-1540F	Multicartridge Filter - 1540F	DN100	324	1700	15 X 40	
FM14-2240F	Multicartridge Filter - 2240F	DN150	456	1715	22 X 40	
FM14-4040F	Multicartridge Filter - 4040F	DN150	600	2650	40 X 40	
FM14-6040F	Multicartridge Filter - 6040F	DN200	660	2680	60 X 40	
FM14-9040F	Multicartridge Filter - 9040F	DN200	812	2700	90 X 40	

## AISI BAG FILTERS

Bag filters are particularly suitable for filtering liquids with a high percentage of suspended solids and can contain filter bags with a Ø 180 in Nylon and Polyethylene with different degrees of filtration.

### Technical specifications:

- Outer coating: AISI 304-316
- Inner basket: AISI 316
- Basket drilling: Ø 3 mm
- Air vent Ø 1/2"
- Max. pressure 6 ate



### AISI 316

Code	Description	Connections	€/pc
FS140440	Bag filter AISI 316 - with basket Ø180 - h.510 2"	2"	
FS140450	Bag filter AISI 316 - with basket Ø180 - h.900 2"	2"	
FS140460	Bag filter AISI 316 - with basket Ø180 - h.510 DN 65	DN 65	
FS140470	Bag filter AISI 316 - with basket Ø180 - h.900 DN 65	DN 65	

## SPARE PARTS BAG FILTERS

Code	Description	€/pc
FS150110	Polypropylene bag Ø 180x430 PP/W 1 µ	
FS150101	Polypropylene bag Ø 180x430 PP/W 5 µ	
FS150102	Polypropylene bag Ø 180x430 PP/W 15 µ	
FS150103	Polypropylene bag Ø 180x430 PP/W 25 µ	
FS150104	Polypropylene bag Ø 180x430 PP/W 50 µ	
FS150105	Polypropylene bag Ø 180x430 PP/W 100 µ	
FS150130	Polypropylene bag Ø 180x430 PE/W 1 µ	
FS150141	Polypropylene bag Ø 180x430 PE/W 5 µ	
FS150142	Polypropylene bag Ø 180x430 PE/W 15 µ	
FS150143	Polypropylene bag Ø 180x430 PE/W 25 µ	
FS150144	Polypropylene bag Ø 180x430 PE/W 50 µ	
FS150145	Polypropylene bag Ø 180x430 PE/W 100 µ	
FS150180	Polypropylene bag Ø 180x430 NY/W 1 µ	
FS150191	Polypropylene bag Ø 180x430 NY/W 5 µ	
FS150192	Polypropylene bag Ø 180x430 NY/W 15 µ	
FS150193	Polypropylene bag Ø 180x430 NY/W 25 µ	
FS150194	Polypropylene bag Ø 180x430 NY/W 50 µ	
FS150195	Polypropylene bag Ø 180x430 NY/W 100 µ	
FS150230	Polypropylene bag Ø 180x820 PP/W 1 µ	
FS150221	Polypropylene bag Ø 180x820 PP/W 5 µ	
FS150222	Polypropylene bag Ø 180x820 PP/W 15 µ	
FS150223	Polypropylene bag Ø 180x820 PP/W 25 µ	
FS150224	Polypropylene bag Ø 180x820 PP/W 50 µ	
FS150225	Polypropylene bag Ø 180x820 PP/W 100 µ	
FS150250	Polypropylene bag Ø 180x820 PE/W 1 µ	
FS150261	Polypropylene bag Ø 180x820 PE/W 5 µ	
FS150262	Polypropylene bag Ø 180x820 PE/W 15 µ	
FS150263	Polypropylene bag Ø 180x820 PE/W 25 µ	
FS150264	Polypropylene bag Ø 180x820 PE/W 50 µ	
FS150265	Polypropylene bag Ø 180x820 PE/W 100 µ	
FS150300	Polypropylene bag Ø 180x820 NY/W 1 µ	
FS150311	Polypropylene bag Ø 180x820 NY/W 5 µ	
FS150312	Polypropylene bag Ø 180x820 NY/W 15 µ	
FS150313	Polypropylene bag Ø 180x820 NY/W 25 µ	
FS150314	Polypropylene bag Ø 180x820 NY/W 50 µ	
FS150315	Polypropylene bag Ø 180x820 NY/W 100 µ	

# 3.0

Industrial steel filters

# AMG X SERIES CARTRIDGES

## SERIE X

**Technical specifications:**

- Mechanical surface filtration
- Smooth INOX 316 steel
- Max. operating temperature +90°C
- For 1/2", 3/4", 1" containers



Code	Description	Ø mm	Height mm	Micron	Flow rate l/h	Pieces per pack	€/pc
OCLXM1060	MINI X 60 µ	50	122	60	800	28	
OCLX05060	X 5" 60 µ	70	127	60	1200	15-30	
OCLX07060	X 7" 60 µ	70	178	60	1700	15	
OCLX09060	X 9" ¾ 60 µ	70	248	60	2500	15-35	
OCLX20060	X 20" 60 µ	70	508	60	4000	1	

## XM/AP SERIES

**Technical specifications:**

- Ø ext.60mm Ø int.27,5mm
- Mechanical surface filtration
- Smooth INOX 316 steel
- Food-grade rubber seals
- Max. operating temperature +90°C
- For 1/2", 3/4", 1" containers



Code	Description	Ø mm	Height mm	Micron	Flow rate l/h	Pieces per pack	€/pc
OCXM08060	XM/AP 9" ¾ 60 µ	70	204	60	2500	15-30	
OCXM18060	XM/AP 18" 60 µ	70	457	60	4000	15	

## XSM SERIES

**Technical specifications:**

- Mechanical surface filtration
- Smooth INOX 316 steel
- NBR food-grade rubber seals
- Max. operating temperature +90°C
- For 1" ¼, 1" ½, 2" containers



Code	Description	Ø mm	Height mm	Micron	Flow rate l/h	Pieces per pack	€/pc
OCXS10060	XSM 9" ¾	70	254	60	2500	15	
OCXS20060	XSM 20"	70	508	60	4000	15	/

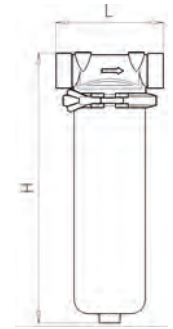
# AISI 316 AMG CONTAINERS

## SERIES XX800

Fully stainless steel container for industrial, food or chemical use for the filtration of aggressive liquids.

### Technical specifications:

- Max. operating pressure 15 bar
- Min/max operating temperature 0°C/90°C
- Head, Clamp and Vessel in AISI 316
- Cartridge tensioning tie rod INOX M6
- Provision for pressure gauges
- Pressure relief screw
- Installable with brackets



### AISI 316 VESSEL - WITH 1/2" THREADED OUTLET

Code	Description	Connections	H Cartridge	L mm	H mm	Flow rate l/h	Pcs per pack	€/pc
0A8050401	XX800sc	3/4"	5	134	200	6500	6	
0A8090401	XX800sc	3/4"	9" 3/4	134	320	6500	6	
0A8200401	XX800sc	3/4"	20	134	585	6500	6	
0A8300401	XX800sc	3/4"	30	134	840	6500	1	
0A8050501	XX800sc	1"	5	134	200	7000	6	
0A8090501	XX800sc	1"	9" 3/4	134	320	7000	6	
0A8200501	XX800sc	1"	20	134	585	7000	6	
0A8300501	XX800sc	1"	30	134	840	7000	1	



# 3.0

Industrial steel filters







# 4.0

*UV sterilisers  
Polyphosphate feeders  
Magnetic deflector  
filters  
Condensate neutralisers*

# ULTRAVIOLET STERILISERS

## STERILISERS AISI 304

### WL SERIES

Ultraviolet sterilisation plants of the WL Technology series constructed with an AISI 304 stainless steel body equipped with a visual lamp exhaustion/malfunction alarm system and an operating hour counter timer only starting with model WL-UV110W-M.

Maximum execution pressure:

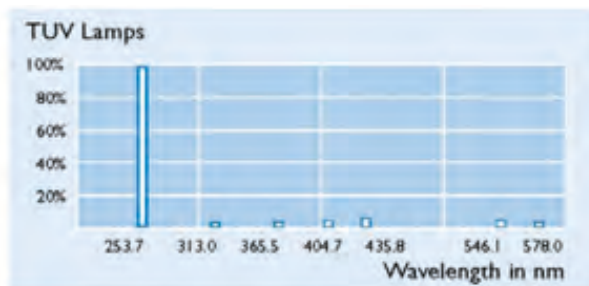
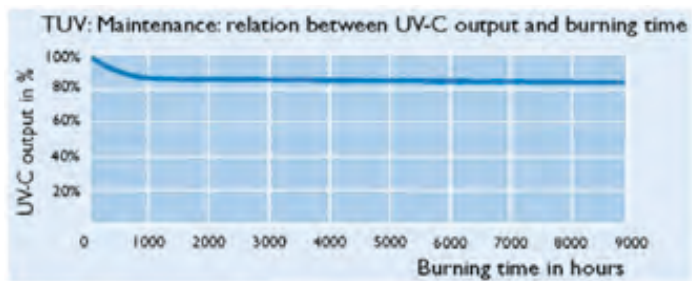
WL-UV4W - WL-UV16W: 6 bar

WL-UV25W - WL-UV880W: 6 bar

Power supply voltage: 220 V - 50 Hz

Lamp service life: 8.000h

Ultraviolet radiation dosage: 30.000 wW/cm<sup>2</sup>



#### 4W - 6W - 11W - 16W

Code	Description	€
WLUV4W	WL Inox 4 W steriliser	
WLUV6W	WL Inox 6 W steriliser	
WLUV11W	WL Inox 11 W steriliser	
WLUV16W	WL Inox 16 W steriliser	



#### 25W - 30W - 55W

Code	Description	€
WLUV25W	WL Inox 25 W steriliser	
WLUV30W	WL Inox 30 W steriliser	
WLUV55W	WL Inox 55 W steriliser	



#### 110W to 220W

Code	Description	€
WLUV110W	WL Inox steriliser 110 W	
WLUV165W	WL Inox steriliser 165 W*	
WLUV220W	WL Inox 220 W steriliser	



\*Not managed in stock.



**REPLACEMENT BALLAST**

Code	Description	€
WLUVBA4/6	Replacement ballast for sterilisers 4-6 W	
WLUVBA11	Replacement ballast for sterilisers 11 W	
WLUVBA16	Replacement ballast for sterilisers 16W	
WLUVBA25	Replacement ballast for sterilisers 25 W	
WLUVBA30	Replacement ballast for sterilisers 30W	
WLUVBA55	Replacement ballast for sterilisers 55 W	
WLUVBA110	Card 55 W for Ballast 110/220 W	



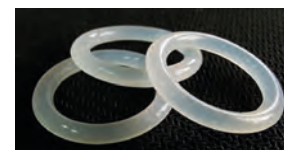
**QUARTZ PIPES**

Code	Description	€
WLUVTUB4	Replacement quartz tube for sterilisers 4 W	
WLUVTUB6/11	Replacement quartz tube for sterilisers 6/11 W	
WLUVTUB16	Replacement quartz tube for sterilisers 16 W	
WLUVTUB25	Replacement quartz tube for sterilisers 25 W	
WLUVTUB30/55	Replacement quartz tube for sterilisers 30-55 W	



**O-RING**

Code	Description	€
WLUVOR4/25	O-ring for UV steriliser 4-6-11-16-25 W	
WLUVOR30/55	O-ring for UV30/55 W steriliser	



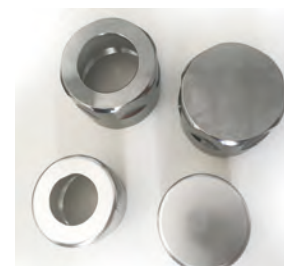
**CONNECTION CABLES;**

Code	Description	€
WLUVCC4W	Connection cable for WLUV4W sterilisers	
WLUVCC6/11	Connection cable for WLUV6/11W sterilisers	
WLUVCC16	Connection cable for WLUV16W sterilisers	
WLUVCC25	Connection cable for WLUV25W sterilisers	
WLUVCC30/55	Connection cable for WLUV30/55W sterilisers	



**NUTS**

Code	Description	€
WLUVTA4/16	Open cap for WLUV4-6-11-16W sterilisers	
WLUVTC4/16	Closed cap for WLUV4-6-11-16W sterilisers	
WLUVTA25/55	Open cap for WLUV25-30-55W sterilisers	
WLUVTC25/55	Closed cap for WLUV25-30-55W sterilisers	





## AISI 316 STERILISERS UVS SERIES

Code	Description	€
UV1S00	UV1S steriliser	
UV2S00	UV2S steriliser	
UV4S00	UV4S steriliser	
UV6S00	UV6S steriliser	
UV8S00	UV8S steriliser	



Code	IN/OUT connectors	Lamp (W)	H <sub>2</sub> O flow rate (l/h)
UV1000S	3/4"	1 x 20	1.000
UV1S00	1"	1 x 40	2.500
UV2S00	1"	2 x 40	5.000
UV4S00	1" 1/2	4 x 40	10,000
UV6S00	2"	6 x 40	15.000
UV8S00	DN 50	8 x 40	20,000

## UVL SERIES

Code	Description	€
UV4L00	UV4L steriliser	
UV6L00	UV6L steriliser	
UV8L00	UV8L steriliser	
UV10L0	UV10L steriliser	
UV12L0	UV12L steriliser	
UV16L0	UV16L steriliser	
UV20L0	UV20L steriliser	
UV24L0	UV24L steriliser	
UV32L0	UV32L steriliser	
UV40L0	UV40L steriliser	
UV48L0	UV48L steriliser	

Code	IN/OUT connectors	Lamp (W)	H <sub>2</sub> O flow rate (l/h)
UV4L00	DN 50	4 x 65	20.000
UV6L00	DN 80	6 x 65	30.000
UV8L00	DN 80	8 x 65	40.000
UV10L0	DN 100	10 x 65	50.000
UV12L0	DN 100	12 x 65	60.000
UV16L0	DN 100	16 x 65	80.000
UV20L0	DN 125	20 x 65	100.000
UV24L0	DN 125	24 x 65	120.000
UV32L0	DN 150	32 x 65	160.000
UV40L0	DN 150	40 x 65	200.000
UV48L0	DN 150	48 x 65	240.000

# 4.0

UV sterilizers • Polyphosphate dispensers • Magnetic dirt separator filters • Condensate neutralizers



## UVO STERILISER SPARE PARTS

Code	Description	€
CUVO	Control unit for UVO	
UV0001	11 W replacement lamp for UVO Series steriliser	
UV0002	Replacement quartz tube for UVO series steriliser	

## UVS AND UVL STERILISER SPARE PARTS

Code	Description	€
UV1S02	Replacement lamp 20 W for S Series	
UV1S01	Replacement lamp 40 W for S Series	
UV4L06	Replacement lamp 65 W for L Series	
UV4L07	Replacement quartz tube for 40 W S Series lamps	
UV4L08	Replacement quartz tube for 65 W L Series lamps	
CUV1S	Control unit for UV1S	
CUV2S	Control unit for UV2S	
UV4S10	Switch cabinet for UV4S	
UVSUV1S	Card for UV1S control unit (post 2009)	
UVSUV2S	Board for UV2S control unit (post 2009)	
UVSUV4S	Board for UV4S control unit (post 2009)	
TPI12S	Lower o-ring premium cap for UV1S & UV2S	
TPS12S	Upper o-ring premium cap for UV1S and UV2S	
OR12S	O-ring for quartz tube for UV1S & UV2S	
CUV12S	Complete lamp cable for UV1S & UV2S	
OR4L	O-ring for quartz tube UVL series	
UV4L02	UV - METER for industrial plants	
UV4L03	Thermostat	
UV4L04	Diaphragm Turbulator	
UV4L05	Sightglass	

## UVS STERILISER SPARE PARTS FOR HOT WATER

Code	Description	€
UV1S01HO	110W replacement lamp for HO Series sterilisers	

# LED UV STERILISERS

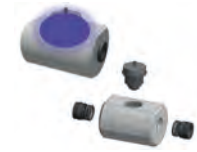
## UV LED SERIES

### HI POWER

Code	Description	€
------	-------------	---

UVHILEDCF	HI POWER LED UV steriliser with flow switch and Plexiglass T	
-----------	--------------------------------------------------------------	--

043470	UV-LED Back Protector (TRANSFORMER A1142CE EXCLUDED)	
--------	------------------------------------------------------	--



## UV LED SPARE PARTS

### LAMPS

Code	Description	€
------	-------------	---

UVHILED/1	HI POWER LED UV steriliser replacement lamp	
-----------	---------------------------------------------	--



### POWER SUPPLY UNITS

Code	Description	€
------	-------------	---

UVHILEDCF/2	POWER LED FLUX UV LED steriliser power supply unit	
-------------	----------------------------------------------------	--



### VARIOUS

Code	Description	€
------	-------------	---

UVHILED/3	Plexiglass housing for UV LEDs / HIGH POWER LEDs	
-----------	--------------------------------------------------	--



UVHILEDCF/1	Flowmeter for UV LED HIGH POWER	
-------------	---------------------------------	--



# 4.0

UV sterilizers • Polyphosphate dispensers • Magnetic dirt separator filters • Condensate neutralizers







5.0

Clack Valves

# AUTOMATIC CLACK VALVES

## VALVES CM

They are programmable with dry vat or std, UF or DF regeneration system (depending on the type of version used).

If dry vat UF is programmed, proportional regeneration can be set.

The display is backlit. The language is in Italian.

A time alarm for maintenance (quarter-year interval) can be set.

The name and telephone number of the system manufacturer can be entered, which also appears on the display when the maintenance alarm is activated.

The display can be set to energy-saving, it switches off after 5' if no button is pressed.

It has a relay that can be activated in several ways:

- After X amount of time from the start of regeneration it can be activated for X amount of time
- After X l in service it can be activated for X time
- After X l in service and bypass during regeneration it can be activated for X amount of time
- After X volume of water passed



### WS1CM VALVES. FOR TECHNICAL SPECIFICATIONS AND ACCESSORIES, SEE WS1 CI VALVE

Code	Description	€
CL100043	Valv. Clack WS1 CM 1600 1" volume DF complete with accessories	
CL100045	Valv. Clack WS1 CM 1700 1" volume DF complete with accessories	
CL100047	Valv. Clack WS1 CM 1600 1" volume UF complete with accessories	
CL100049	Valv. Clack WS1 CM 1700 1" volume UF complete with accessories	

### VALVES WS1.25 CM. FOR TECHNICAL SPECIFICATIONS AND ACCESSORIES, SEE WS1.25 CI VALVE

Code	Description	€
CL125043	Valv Clack WS1.25 CM 1600 1 1/4 volume DF complete with accessories	
CL125045	Valv Clack WS1.25 CM 1700 1 1/4 volume DF complete with accessories	
CL125047	Valv Clack WS1.25 CM 1600 1 1/4 volume UF complete with accessories	
CL125049	Valv Clack WS1.25 CM 1700 1 1/4 volume UF complete with accessories	

### VALVES WS1.5 CM. FOR TECHNICAL SPECIFICATIONS AND ACCESSORIES, SEE WS1.5 CI VALVE

Code	Description	€
CL100143	Valv. Clack WS1.5 CM 1600 1 1/2 volume DF complete with accessories	
CL100145	Valv. Clack WS1.5 CM 1700 1 1/2 volume DF complete with accessories	
CL100107	Valv. Clack WS1.5P CM 1600 volume PLT complete	
CL100108	Valv. Clack WS1.5P CM 1700 volume PLT complete	

### WS2 CM VALVES. FOR TECHNICAL SPECIFICATIONS AND ACCESSORIES, SEE WS2 CI VALVE

Code	Description	€
CL220143	Valv. Clack WS2 CM 1600 2" volume DF complete with accessories	
CL220145	Valv. Clack WS2 CM 1700 2" volume DF complete with accessories	
CL220151	Clack valve WS2CM PLT electronic. 1600 volume 2" with accessories	
CL220153	Clack valve WS2CM PLT electronic. 1700 volume 2" with accessories	
CL220147	Valv. Clack WS2 CM 1600 2" volume UF complete with accessories	
CL220149	Valv. Clack WS2 CM 1700 2" volume UF complete with accessories	

### WS2 CM/QC VALVES. FOR TECHNICAL SPECIFICATIONS AND ACCESSORIES, SEE WS2 CI/QC VALVE

Code	Description	€
CL220245	Clack valve WS2 CM QC 1700 Volume 2" DF complete TOP	
CL220243	Clack valve WS2 CM QC 1700 Volume 2" DF complete SIDE	
CL220151	Clack valve WS2 CM PLT elettron 1600 Volume 2" with accessories	
CL220153	Clack valve WS2 CM PLT elettron 1700 Volume 2" with accessories	



## WS1CI VALVES

Electronic 1" valve with regeneration start by time and volume can be used for both filtration and softening.

The operating parameters are fully programmable so as to optimise the system in all respects.

Up to 9 steps per regeneration cycle can be set and the hardness is programmable in both ppm and °F.

All operating data and service history are stored in a non-volatile memory and can be recalled at any time for system analysis.

### Technical specifications:

- Operating flow rate 1bar dP - 6.12 m<sup>3</sup>/h
- Backwash flow rate 1.7 bar dP - 6.12 m<sup>3</sup>/h
- Connections Inlet/outlet 1" on request 3/4", 1" 1/4
- Operating pressure min 1.4 bar - max 8.6 bar
- Operating temperature min 4°C - max 43°C
- Supply voltage 230 VAC
- Power supply frequency 50 Hz
- Valve body material Noryl®
- Softening cylinder 6"-16" (1600) - 18"-21" (1700)
- Filter cylinder 9"-12" (DLFC 3/4") - 13"-21" (DLFC 1")

### ACCESSORIES INCLUDED

#### IN THE SOFTENING VERSION:

- Upper filter - Code D1203
- Lower Filter - Code D1236
- Distributor Hose Ø 27 - Code ARI00364
- Transformer - Code V3186EU
- Exhaust nut - Code V3192
- Insert for drain connection - Part No. PKP10TS8-BULK
- DLFC (for Version 1600) - Code V3162-XXX
- DLFC (for Version 1700) - Code V3190-XXX
- Air Check 3/8" - Code FLA18168 (Version 1600)
- Air Check 1/2" - Code FLA18979 (Version 1700)
- 1" drain connection - Code V3008-02 (version 1700)
- Adapter for Air check 1/2" - Code H4924(Version 1700)
- 3/8" Elbow Intermediate - Code PI0312S (Version 1600)
- Fitting Kit 1" Male BSP - Code V3007-06

#### ACCESSORIES INCLUDED IN THE FILTER VERSION:

- Upper filter - Code D1203
- Lower Filter - Code D1236
- Distributor Hose Ø 27 - Code ARI00364
- Insert for 3/4" drain connection - Code PKP10TS8-BULK
- Drain nut 3/4" - Code V3192
- DLFC (for 3/4" version) - Code V3162-XXX
- DLFC (for Version 1") - Code V3190-XXX
- 1" drain connection - Code V3008-02
- Fitting Kit 1" Male BSP - Code V3007-06
- Transformer - Code V3186EU

### VALVES WITH ACCESSORIES

Code	Description	€
CL100001	Clack WS1CI 1600 electronic volume valve with accessories	
CL100002	Clack WS1CI 1700 electronic volume valve with accessories	
CL100003	Clack valve WS1CI 1600 electronic volume UF with accessories	
CL100004	Clack valve WS1CI 1700 electronic volume UF with accessories	
CL100011	Clack valve WS1CI 1600 electronic time with accessories	
CL100012	Clack valve WS1CI 1700 electronic time with accessories	
CL100013	Clack valve WS1CI 1600 electronic UF time with accessories	
CL100014	Clack valve WS1CI 1700 electronic time UF with accessories	
CL100021	Clack valve WS1CI DLFC 3/4" electronic filter with accessories	
CL100022	Clack valve WS1CI DLFC 1" electronic filter with accessories	





## WS1EI VALVES

Electronic 1" valve with regeneration start by time and volume can be used for both filtration and softening.

The operating parameters are fully programmable so as to optimise the system in all respects.

Up to 6 phases can be set per regenerative cycle.

### Technical specifications:

- Operating flow rate 1 bar dP - 6.12 m<sup>3</sup>/h
- Backwash flow rate 1.7 bar dP - 6.12 m<sup>3</sup>/h
- Connections Inlet/outlet 1" on request 3/4", 1"1/4
- Operating pressure min 1.4 bar - max 8.6 bar
- Operating temperature min 4°C - max 43°C
- Supply voltage 230 VAC
- Power supply frequency 50 Hz
- Valve body material Noryl®
- Softening cylinder 6"-16" (1600) - 18"-21" (1700)
- Filter cylinder 9"-12" (DLFC 3/4") - 13"-21" (DLFC 1")



### ACCESSORIES INCLUDED IN THE SOFTENING VERSION:

- Upper filter - Code D1203
- Lower Filter - Code D1236
- Distributor Hose Ø 27 - Code ARI00364
- Transformer - Code V3186EU
- Exhaust nut - Code V3192
- Insert for drain connection - Part No. PKP10TS8-BULK
- DLFC (for Version 1600) - Code V3162-XXX
- DLFC (for Version 1700) - Code V3190-XXX
- Air Check 3/8" - Code FLA18168 (Version 1600)
- Air Check 1/2" - Code FLA18979 (Version 1700)
- 1" drain connection - Code V3008-02 (version 1700)
- Adapter for Air check 1/2" - Code H4924 Version 1700)
- 3/8" Elbow Intermediate - Code PI0312S
- Fitting Kit 1" Male BSP - Code V3007-06

### ACCESSORIES INCLUDED IN THE FILTER VERSION:

- Upper filter - Code D1203
- Lower Filter - Code D1236
- Distributor Hose Ø 27 - Code ARI00364
- Insert for 3/4" drain connection  
Code PKP10TS8-BULK
- Drain nut 3/4" - Code V3192
- DLFC (for 3/4" version) - Code V3162-XXX
- DLFC (for Version 1") - Code V3190-XXX
- 1" drain connection - Code V3008-02
- Fitting Kit 1" Male BSP - Code V3007-06
- Transformer - Code V3186EU

### VALVES WITH ACCESSORIES

Code	Description	€
CL100071	Clack WS1EI 1600 electronic volume valve with accessories	
CL100072	Clack WS1EI 1700 electronic volume valve with accessories	
CL100081	Clack valve WS1EI 1600 electronic time with accessories	
CL100082	Clack valve WS1EI 1700 electronic time with accessories	

## WS1CG VALVES

Electronic 1" valve with regeneration start by time and volume can be used for both filtration and softening.

The operating parameters are fully programmable so as to optimise the system in all respects.

Up to 6 phases can be set per regenerative cycle.

### Technical specifications:

- Operating flow rate 1 bar dP - 6.12 m<sup>3</sup>/h
- Backwash flow rate 1.7 bar dP - 6.12 m<sup>3</sup>/h
- Connections Inlet/outlet 1" on request 3/4", 1"1/4
- Operating pressure min 1.4 bar - max 8.6 bar
- Operating temperature min 4°C - max 43°C
- Supply voltage 230 VAC
- Power supply frequency 50 Hz
- Valve body material Noryl®
- Softening cylinder 6"-16" (1600) - 18"-21" (1700)
- Filter cylinder 9"-12" (DLFC 3/4") - 13"-21" (DLFC 1")



### ACCESSORIES INCLUDED

#### IN THE SOFTENING VERSION:

- Upper filter - Code D1203
- Lower Filter - Code D1236
- Distributor Hose Ø 27 - Code ARI00364
- Transformer - Code V3186EU
- Exhaust nut - Code V3192
- Insert for drain connection - Part No. PKP10TS8-BULK
- DLFC (for Version 1600) - Code V3162-XXX
- DLFC (for Version 1700) - Code V3190-XXX
- Air Check 3/8" - Code FLA18168 (Version 1600)
- Air Check 1/2" - Code FLA18979 (Version 1700)
- 1" drain connection - Code V3008-02 (version 1700)
- Adapter for Air check 1/2" - Code H4924 Version 1700)
- 3/8" Elbow Intermediate - Code PI0312S
- Fitting Kit 1" Male BSP - Code V3007-06

#### ACCESSORIES INCLUDED IN THE FILTER VERSION:

- Upper filter - Code D1203
- Lower Filter - Code D1236
- Distributor Hose Ø 27 - Code ARI00364
- Insert for 3/4" drain connection  
Code PKP10TS8-BULK
- Drain nut 3/4" - Code V3192
- DLFC (for 3/4" version) - Code V3162-XXX
- DLFC (for Version 1") - Code V3190-XXX
- 1" drain connection - Code V3008-02
- Fitting Kit 1" Male BSP - Code V3007-06
- Transformer - Code V3186EU

### VALVES WITH ACCESSORIES

Code	Description	€
CL100095	Clack valve WS1CG 1600 DF volume complete platinum cover	
CL100094	Clack valve WS1CG 1700 DF volume complete platinum cover	

## WS1TC VALVES

Simplified 1" electronic valve, with timed regeneration start for Filtration and Softening.

In this version of electronics, pre-programmed cycles can be selected without being able to vary the parameter individually. The only setting that can always be changed is the brine filling time so that, in the case of softening applications, the correct amount of brine is available for the regeneration cycle.

### Technical specifications:

- Operating flow rate 1 bar dP - 6.12 m<sup>3</sup>/h
- Backwash flow rate 1.7 bar dP - 6.12 m<sup>3</sup>/h
- Connections Inlet/outlet 1" on request 3/4", 1"1/4
- Operating pressure min 1.4 bar - max 8.6 bar
- Operating temperature min 4°C - max 43°C
- Supply voltage 230 VAC
- Power supply frequency 50 Hz
- Valve body material Noryl®
- Softening cylinder 6"-16" (1600) - 18"-21" (1700)
- Filter cylinder 9"-12" (DLFC 3/4") - 13"-21" (DLFC 1")



### ACCESSORIES INCLUDED IN THE SOFTENING VERSION:

- Upper filter - Code D1203
- Lower Filter - Code D1236
- Distributor Hose Ø 27 - Code ARI00364
- Transformer - Code V3186EU
- Exhaust nut - Code V3192
- Insert for drain connection - Part No. PKP10TS8-BULK
- DLFC (for Version 1600) - Code V3162-XXX
- DLFC (for Version 1700) - Code V3190-XXX
- Air Check 3/8" - Code FLA18168 (Version 1600)
- Air Check 1/2" - Code FLA18979 (Version 1700)
- 1" drain connection - Code V3008-02 (version 1700)
- Adapter for Air check 1/2" - Code H4924 (Version 1700)
- 3/8" Elbow Intermediate - Code PI0312S
- Fitting Kit 1" Male BSP - Code V3007-06

### ACCESSORIES INCLUDED IN THE FILTER VERSION:

- Upper filter - Code D1203
- Lower Filter - Code D1236
- Distributor Hose Ø 27 - Code ARI00364
- Insert for 3/4" drain connection - Code PKP10TS8-BULK
- Drain nut 3/4" - Code V3192
- DLFC (for 3/4" version) - Code V3162-XXX
- DLFC (for Version 1") - Code V3190-XXX
- 1" drain connection - Code V3008-02
- Fitting Kit 1" Male BSP - Code V3007-06

### VALVES WITH ACCESSORIES

Code	Description	€
CL100051	Clack valve WS1TC 1600 electronic simplified time with accessories	
CL100052	Clack valve WS1TC 1700 electronic simplified time with accessories	
CL100061	Clack valve WS1TC DLFC 3/4" electronic simplified filter with accessories	
CL100062	Clack valve WS1TC DLFC 1" electronic simplified filter with accessories	

## WS1.25CI VALVES

Electronic 1" 1/4 valve with regeneration start by time and volume can be used for both filtration and softening.

The operating parameters are fully programmable so as to optimise the system in all respects.

Up to 9 steps per regeneration cycle can be set and the hardness is programmable in both ppm and °F.

All operating data and service history are stored in a non-volatile memory and can be recalled at any time for system analysis.

### Technical specifications:

- Operating flow rate 1 bar dP - 7.7 m<sup>3</sup>/h
- Backwash flow rate 1.7 bar dP - 7.3 m<sup>3</sup>/h
- Input/output connections : 1" 1/4 Male
- Operating pressure min 1.4 bar - max 8.6 bar
- Operating temperature min 4°C - max 43°C
- Supply voltage 230 VAC
- Power supply frequency 50 Hz
- Valve body material Noryl®
- Softening cylinder 10"-16" (1600) - 18"-21" (1700)
- Filter cylinder 9"-12" (DLFC 3/4") - 13"-21" (DLFC 1")



### ACCESSORIES INCLUDED IN THE SOFTENING VERSION:

- Upper filter - Code D1203-03
- Lower Filter - Code D1238
- Dispenser Pipe Ø 32 x 1500 mm - Code ARI00362
- Transformer - Code V3186EU
- Exhaust nut - Code V3192
- Insert for drain connection - Part No. PKP10TS8-BULK
- DLFC (for Version 1600) - Code V3162-XXX
- DLFC (for Version 1700) - Code V3190-XXX
- Air Check 3/8" - Code FLA18168 (Version 1600)
- Air Check 1/2" - Code FLA18979 (Version 1700)
- 1" drain connection - Code V3008-02 (version 1700)
- Adapter for Air check 1/2" - Code H4924 (Version 1700)
- 3/8" Elbow Intermediate - Code PI0312S
- Connector Kit 1" 1/4 Male BSP - Code V3007-05

### ACCESSORIES INCLUDED IN THE FILTER VERSION:

- Upper filter - Code D1203-03
- Lower Filter - Code D1238
- Dispenser Pipe Ø 32 x 1500 mm - Code ARI00362
- Insert for 3/4" drain connection - Code PKP10TS8-BULK
- Drain nut 3/4" - Code V3192
- DLFC (for 3/4" version) - Code V3162-XXX
- DLFC (for Version 1") - Code V3190-XXX
- 1" drain connection - Code V3008-02
- Connector Kit 1" 1/4 Male BSP - Code V3007-05
- Transformer - Code V3186EU

### VALVES WITH ACCESSORIES

Code	Description	€
CL125001	Clack valve WS1.25CI 1600 electronic volume with accessories	
CL125002	Clack valve WS1.25CI 1700 electronic volume control with accessories	
CL125011	Clack valve WS1.25CI 1600 electronic time with accessories	
CL125012	Clack valve WS1.25CI 1700 electronic time with accessories	
CL125021	Clack valve WS1.25CI DLFC 3/4" electronic filter with accessories	
CL125022	Clack valve WS1.25CI DLFC 1" electronic filter with accessories	

## WS1.5CI PLT VALVES

Electronic 1" 1/2 valve with time and volume regeneration start that can be used for both filtration and softening.

The operating parameters are fully programmable so as to optimise the system in all respects.

Up to 9 steps per regeneration cycle can be set and the hardness is programmable in both ppm and °F.

All operating data and service history are stored in a non-volatile memory and can be recalled at any time for system analysis.

### Technical specifications:

- Operating flow rate 1.0 bar dP - 13.6 m<sup>3</sup>/h
- Backwash flow rate 1.7 bar dP - 9.8 m<sup>3</sup>/h
- Input/output connections: 1" 1/2 BSPT
- Operating pressure min 1.4 bar - max 8.6 bar
- Operating temperature min 4°C - max 43°C
- Supply voltage 230 VAC
- Power supply frequency 50/60 Hz
- Valve body material: glass-fibre reinforced plastic material
- Softening cylinder 12"-16" (1600) - 18"-24" (1700)
- Cylinder Filtration 12" up to 24"
- Cylinder Thread: 4" 8UN

### ACCESSORIES INCLUDED

#### IN THE SOFTENING VERSION:

- V3162-xx DLFC for discharge 3/4
- FLA18396 Lower diffuser Ø 50 mm
- D1199-11 Upper d.50 SNAP x Clack Valve WS1.5 PLT
- H4924 Fitting Elbow Kit 494 Air Check 1/2" Polytube Connection (vers. 1700)
- PI0312S 3/8 elbow intermediate (1600 vers.)
- FLA18979 Air Checks 900 1.88 m 1700 & 1800 (1700 vers.)
- FLA18168 Air Checks 500A 915 mm (36") 1600 & 1650 (1600 vers.)
- V3192 Exhaust nut
- PKP10TS8-BULK Insert for 3/4" drain connection
- V3186EU Transformer for Clack valve
- ARI00369 Rigid PVC pipe d.50 L= 195 cm
- V4430-02 WS15P Fitting Assembly QC to BSPT (vers.1700)
- V4144-01 Elbow coupling 3/8" complete with BLFC (vers. 1600)
- JCPG-6PBLK Ring nut for 3/8" pipe
- JCP-P-6 Tube Insert 3/8"
- V3163 O ring drain connection brine connection
- V3165-01 Complete BLFC holder cage
- V4430-02 WS15P Fitting Assembly QC to BSPT

### VALVES WITH ACCESSORIES

Code	Description	€
CL100103	Clack valve WS1.5CI PLT 1600 electronic volume 1" 1/2 with accessories	
CL100104	Clack valve WS1.5CI PLT 1700 electronic volume 1" 1/2 with accessories	
CL100113	Clack valve WS1.5CI PLT 1600 electronic time 1" 1/2 with accessories	
CL100114	Clack valve WS1.5CI PLT 1700 electronic time 1" 1/2 with accessories	
CL100121	Clack valve WS1.5CI PLT DLFC 1" electronic filter 1" 1/2 with accessories	



### ACCESSORIES INCLUDED IN THE FILTER VERSION:

- V3162-075 DLFC 7.5 GPM for discharge 3/4
- FLA18396 Lower diffuser Ø 50 mm
- D1199-11 Upper d.50 SNAP x Clack Valve WS1.5 PLT
- V3186EU Transformer for Clack valve
- V4430-02 WS15P Fitting Assembly QC to BSPT
- ARI00369 Rigid PVC pipe d.50 L= 195 cm



## WS1.5CI VALVES

Electronic 1" 1/2 valve with time and volume regeneration start that can be used for both filtration and softening. The operating parameters are fully programmable so as to optimise the system in all respects.

Up to 9 steps per regeneration cycle can be set and the hardness is programmable in both ppm and °F.

All operating data and service history are stored in a non-volatile memory and can be recalled at any time for system analysis.

### Technical specifications:

- Operating flow rate 1 bar dP - 13.6 m<sup>3</sup>/h
- Backwash flow rate 1.7 bar dP - 11.4 m<sup>3</sup>/h
- Input/output connections: 1" 1/2 BSPT
- Operating pressure min 1.4 bar - max 8.6 bar
- Operating temperature min 4°C - max 43°C
- Supply voltage 230 VAC
- Power supply frequency 50 Hz
- Valve body material: Bronze
- Softening cylinder 14"-16" (1600) - 18"-24" (1700)
- Cylinder Filtration 14" up to 30"
- Cylinder Thread: 4" 8UN

### ACCESSORIES INCLUDED

#### IN THE SOFTENING VERSION:

- Upper Filter Subvalve - Code KIT8
- Dispenser Pipe Ø50 x 1820 mm - Code FLA18404
- Transformer - Code V3186EU
- Exhaust nut - Code V3192
- Insert for drain connection - Part No. PKP10TS8-BULK
- DLFC (for Version 1600) - Code V3162-XXX
- DLFC (for Version 1700) - Code V3190-XXX
- Air Check 3/8" - Code FLA18168 (Version 1600)
- Air Check 1/2" - Code FLA18979 (Version 1700)
- 1" drain connection - Code V3008-02 (version 1700)
- Adapter for Air check 1/2" - Code H4924 (Version 1700)
- 3/8" Elbow Intermediate - Code PI0312S (Version 1600)

#### ACCESSORIES INCLUDED IN THE FILTER VERSION:

- Upper Filter Subvalve - Code KIT8
- Dispenser Pipe Ø50 x 1820 mm - Code FLA18404
- DLFC (for Version 1") - Code V3190-XXX
- 1" drain connection - Code V3008-02
- Transformer - Code V3186EU



### VALVES WITH ACCESSORIES

Code	Description	€
CL100101	Clack valve WS1.5CI 1600 electronic volume 1" 1/2 with accessories	
CL100102	Clack valve WS1.5CI 1700 electronic volume 1" 1/2 with accessories	
CL100111	Clack valve WS1.5CI 1600 electronic time 1" 1/2 with accessories	
CL100112	Clack valve WS1.5CI 1700 electronic time 1" 1/2 with accessories	
CL100120	Clack valve WS1.5CI DLFC 1" electronic filter 1" 1/2 with accessories	
CL100109	Clack valve WS1.5CI 1600 PLT METER with accessories	
CL100110	Clack valve WS1.5CI 1700 PLT METER with accessories	





5.0

Clack valves

## WS2CI PLT VALVES

2" Electronic Valve with timed and volume regeneration start usable for both filtration and softening.

The operating parameters are completely programmable in order to optimize the system from all points of view.

Up to 9 phases can be set for each regenerative cycle and the hardness can be programmed both in ppm and in °F.

All operating data and service history are stored in a non-volatile memory and can be recalled at any time for system analysis.

### Technical features:

- Operating flow rate 1 bar dP - 26.1 m<sup>3</sup>/h
- Backwash flow rate 1.7 bar dP - 18.2 m<sup>3</sup>/h
- Inlet/outlet connections 2" BSPT
- Operating pressure min 1.4 bar - max 8.6 bar
- Operating temperature min 4°C - max 43°C
- Power supply voltage 230 VAC
- Power frequency 50 Hz
- Valve body material: NORYL
- Softening cylinder 14"-16" (1600) - 18"-48" (1700)
- Filtration cylinder 14" up to 36"
- Cylinder thread: 4" 8UN



### ACCESSORIES INCLUDED IN THE SOFTENING VERSION:

- Upper filter Undervalve - Code D1199-11
- Distributor tube Ø50 x 1820 mm - Code FLA18404
- Transformer - Code V3186EU
- Air Check 3/8" - Code FLA18168 (Version 1600)
- Air Check 1/2" - Code FLA18979 (Version 1700)
- 2" Connection V4460-02 - V4460-03
- Counter V3048QC (Volume version)
- Air check 1/2" Adapter - Code H4924 (Version 1700)
- 3/8" Elbow Intermediate - Code PI0312S (Version 1600)
- Transformer - Code V3186EU

### ACCESSORIES INCLUDED IN THE FILTER VERSION:

- Upper Filter Under Valve - Code D1199-11
- Distributor Tube Ø50 x 1820 mm - Code FLA18404
- DLFC - Code V3162-XXX
- Transformer - Code V3186EU

### VALVES WITH ACCESSORIES WS2CI PLT

Code	Description	€
CL220007	Clack valve WS2CI PLT electronic. 1600 volume 2" with accessories	
CL220008	Clack valve WS2CI PLT electronic. 1700 volume 2" with accessories	
CL220013	Clack valve WS2CI PLT electronic. 1600 tempo 2" with accessories	
CL220014	Clack valve WS2CI PLT electronic. 1700 tempo 2" with accessories	
CL220023	Clack valve WS2CI PLT electronic. 2" DLFC 1"/2 FILTER with accessories	

## WS2CI VALVES

2" electronic valve with time and volume regeneration start that can be used for both filtration and softening. The operating parameters are fully programmable so as to optimise the system in all respects.

Up to 9 steps per regeneration cycle can be set and the hardness is programmable in both ppm and °F.

All operating data and service history are stored in a non-volatile memory and can be recalled at any time for system analysis.

### Technical specifications:

- Operating flow rate 1 bar dP - 26.1 m<sup>3</sup>/h
- Backwash flow rate 1.7 bar dP - 18.2 m<sup>3</sup>/h
- Inlet/outlet connections 2" BSPT
- Operating pressure min 1.4 bar - max 8.6 bar
- Operating temperature min 4°C - max 43°C
- Supply voltage 230 VAC
- Power supply frequency 50 Hz
- Valve body material: Bronze
- Softening cylinder 14"-16" (1600) - 18"-48" (1700)
- Filtration cylinder 14" up to 36"
- Cylinder Thread: 4" 8UN
- Filter cylinder 9"-12" (DLFC 3/4") - 13"-21" (DLFC 1")



### ACCESSORIES INCLUDED IN THE SOFTENING VERSION:

- Upper Filter Subvalve - Code KIT8
- Dispenser Pipe Ø50 x 1820 mm - Code FLA18404
- Transformer - Code V3186EU
- Exhaust nut - Code V3192
- Insert for drain connection - Part No. PKP10TS8-BULK
- DLFC (for Version 1600) - Code V3162-XXX
- DLFC (for Version 1700) - Code V3190-XXX
- Air Check 3/8" - Code FLA18168 (Version 1600)
- Air Check 1/2" - Code FLA18979 (Version 1700)
- 3/4" drain fitting - Code V3158-01 (1600 version)
- Exhaust fitting 1 1/2" - Code V3080BSPT (1700 version)
- Adapter for Air check 1/2" - Code H4924 (Version 1700)
- 3/8" Elbow Union - Code PI0312S (Version 1600)
- Transformer - code V3186EU

### ACCESSORIES INCLUDED IN THE FILTER VERSION:

- Upper Filter Subvalve - Code KIT8
- Dispenser Pipe Ø50 x 1820 mm - Code FLA18404
- DLFC - Code V3162-XXX
- 3/4" Drain fitting - Code V3158-01 (version 1600)
- Exhaust fitting 1 1/2" - Code V3080BSPT (version 1700)
- Transformer - Code V3186EU

### VALVES WITH ACCESSORIES

Code	Description	€
CL220001	Clack valve WS2CI 1600 electronic volume 2" with accessories	
CL220002	Clack valve WS2CI 1700 electronic volume 2" with accessories	
CL220011	Clack valve WS2CI 1600 electronic time 2" with accessories	
CL220012	Clack valve WS2CI 1700 electronic time 2" with accessories	
CL220022	Clack valve WS2CI DLFC 1" 1/2 electronic filter 2" with accessories	
CL220003	Clack valve WS2CI 1600 volume METER PLT electr 2" with accessories	
CL220004	Clack valve WS2CI 1700 volume METER PLT electr 2" with accessories	

## WS2CI/QC VALVES

2" electronic valve with time and volume regeneration start that can be used for both filtration and softening.

The operating parameters are fully programmable so as to optimise the system in all respects.

Up to 9 steps per regeneration cycle can be set and the hardness is programmable in both ppm and °F.

All operating data and service history are stored in a non-volatile memory and can be recalled at any time for system analysis.

The valve has clamp-type connections for the main connections.

This exists in a head-mounted or side-mounted version.



### Technical specifications:

- Operating flow rate 1bar dP - 28.4 m<sup>3</sup>/h
- Backwash flow rate 1.7 bar dP - 19.3 m<sup>3</sup>/h
- Inlet/outlet connections 2" BSPT
- Operating pressure min 1.4 bar - max 8.6 bar
- Operating temperature min 4°C - max 43°C
- Supply voltage 230 VAC
- Power supply frequency 50 Hz
- Valve body material: Bronze
- Softening cylinder 16"-48" (1700)
- Cylinder Filtration 16" up to 36"
- Cylinder attachment: 6" Flanged Top/ Side Mounting

### ACCESSORIES INCLUDED

#### IN THE SOFTENING VERSION:

- Head Mounting Adapter 6" Flanged - Code V3055 (distributor pipe connection Ø 63)
- Side mounting adapter 2 "BSPT
- Part no. V3260BSPT-02
- Transformer - Code V3186EU
- DLFC (for Version 1700) - Code V3190-XXX
- Air Check 1/2" - Code FLA18979 (Version 1700)
- 1" drain connection - Code V3008-05 (version 1700)
- Adapter for Air check 1/2" - Code H4924 (Version 1700)

#### ACCESSORIES INCLUDED IN THE FILTER VERSION:

- Head Mounting Adapter 6" Flanged - Code V3055 (distributor pipe connection Ø 63)
- Side mounting adapter 2 "BSPT
- Part no. V3260BSPT-02
- DLFC (for Version 1") - Code V3162-XXX
- Drain fitting 1" 1/2 - Code V3080BSPT
- Transformer - Code V3186EU

### VALVES WITH ACCESSORIES

Code	Description	€
CL220048	Clack valve WS2CI/QC 1700 electronic volume 2" TOP mounting with accessories	
CL220049	Clack valve WS2CI/QC 1700 electronic volume 2" SIDE mounting with accessories	
CL220038	Clack valve WS2CI/QC 1700 electronic time 2" TOP mounting with accessories	
CL220039	Clack valve WS2CI/QC 1700 electronic time 2" SIDE mounting with accessories	
CL220058	Clack valve WS2CI/QC electronic filter 2" TOP mounting with accessories	
CL220059	Clack valve WS2CI/QC electronic filter 2" SIDE mounting with accessories	

## WS3 VALVES H

3" electronic valve with time and volume regeneration start for Softening and Filtration.

The operating parameters are fully programmable so as to optimise the system in all respects.

This valve exists in several configurations so that it can be mounted on both single-hole flanged 6" cylinders (Top Mount) and double-hole cylinders (Side Mount).



### Technical specifications:

- Operating flow rate 1 bar dP - 56.8 m<sup>3</sup>/h
- Backwash flow rate 1.7 bar dP - 50 m<sup>3</sup>/h
- Input/output connections: 3"
- Operating pressure min 1.4 bar - max 8.6 bar
- Operating temperature min 4°C - max 43°C
- Supply voltage 230 VAC
- Power supply frequency 50 Hz
- Valve body material: Bronze
- Softening cylinder up to 79"
- Cylinder Filtration up to 63"
- Cylinder attachment: 6" Flanged Top/ Side Mounting

### ACCESSORIES INCLUDED IN THE SOFTENING VERSION:

- Transformer - Code V3461EU-02
- Head Mounting Adapter 6" Flanged - Code V3090
- Side mounting adapter 3" BSPT- Part no. V3674BSPT-02
- 3" BSP Drain Connector Kit - Code V3764BSPT
- DLFC - Code V3190-XXX
- DLFC - Code V3162-XXX
- 3" meter with cable (for volumetric version) - Code V3075BSPT

### ACCESSORIES INCLUDED IN THE FILTER VERSION:

- Transformer - Code V3461EU-02
- Head Mounting Adapter 6" Flanged - Code V3090
- Side mounting adapter 3" BSPT- Part no. V3674BSPT-02
- 3" BSP Drain Connector Kit - Code V3764BSPT
- DLFC - Code V3190-XXX
- DLFC - Code V3162-XXX

### VALVES WITH ACCESSORIES

Code	Description	€
CL300001	Clack valve WS3 electronic volume 3" TOP mounting with accessories	
CL300004	Clack valve WS3 electronic volume 3" SIDE mounting with accessories	
CL300010	Clack valve WS3 electronic time 3" TOP assembly with accessories	
CL300012	Clack valve WS3 electronic time 3" SIDE mounting with accessories	
CL300022	Clack valve WS3 electronic filter 3" TOP mounting with accessories	
CL300024	Clack valve WS3 electronic filter 3" SIDE mounting with accessories	

## VALVES VTT1CI - VTT1CM TWIN

1" Electronic Duplex Valve with time and volume regeneration start that can be used for softening.

The operating parameters are fully programmable so as to optimise the system in all respects.

Up to 9 steps per regeneration cycle can be set and the hardness is programmable in both ppm and °F.

All operating data and service history are stored in a non-volatile memory and can be recalled at any time for system analysis.



### Technical specifications:

- Operating flow rate 1 bar dP - 6.12 m<sup>3</sup>/h
- Backwash flow rate 1.7 bar dP - 3.4 m<sup>3</sup>/h
- Connections Inlet/outlet 1" on request 3/4", 1" 1/4
- Operating pressure min 1.4 bar - max 8.6 bar
- Operating temperature min 4°C - max 43°C
- Supply voltage 230 VAC
- Power supply frequency 50 Hz
- Valve body material Noryl®
- Softening cylinder 6"-16" (1600) - 18"-21" (1700)
- Filter cylinder 9"-12" (DLFC 3/4") - 13"-21" (DLFC 1")

### ACCESSORIES INCLUDED:

Upper filter - Code D1203

Lower Filter - Code D1236

Distributor Hose Ø 27 - Code ARI00364

Transformer - Code V3186EU

Exhaust nut - Code V3192

Insert for drain connection - Part No. PKP10TS8-BULK

DLFC (for Version 1600) - Code V3162-XXX

DLFC (for Version 1700) - Code V3190-XXX

Air Check 3/8" - Code FLA18168 (Version 1600)

Air Check 1/2" - Code FLA18979 (Version 1700)

1" drain connection - Code V3008-02 (version 1700)

Adapter for Air check 1/2" - Code H4924 (Version 1700)

3/8" Elbow Intermediate - Code PI0312S (Version 1600)

Fitting Kit 1" Male BSP - Code V3007-06

Pipe diameter 1" 1/4 L=20" no. 2 pcs Code V4052 (1700 version)

K it fitting 1" 1/4 glue no. 2 pcs Part No. V3007-07 (1700 version)

### VALVES WITH ACCESSORIES

Code	Description	€
CL100030	Clack VTT1CI 1600 Twin valve with accessories	
CL100032	Clack VTT1CI 1700 Twin valve with accessories	
CL100031	Clack VTT1CM 1600 Twin valve with accessories	
CL100033	Clack valve VTT1CM 1700 Twin with accessories	



## VALVOLE VTT1.5CI-CM TWIN

1"1/2 Electronic Duplex Valve with timed regeneration start and volume usable for softening.

The operating parameters are completely programmable in order to optimize the system from all points of view.

Up to 9 phases can be set for each regenerative cycle and the hardness can be programmed both in ppm and in °F.

All the operating data and the service history are stored in a non-volatile memory and can be recalled at any time for a system analysis.



### Technical features:

- Operating flow rate 1.0 bar dP - 13.6 m<sup>3</sup>/h
- Backwash flow rate 1.7 bar dP - 9.8 m<sup>3</sup>/h
- Inlet/outlet connections: 1" 1/2 BSPT
- Operating pressure min 1.4 bar - max 8.6 bar
- Operating temperature min 4°C - max 43°C
- Power supply voltage 230 VAC
- Power frequency 50/60 Hz
- Valve body material: glass fibre reinforced plastic material
- Softening cylinder 14"-16" (1600) - 18"-24" (1700)
- Filtration cylinder 14" up to 24"
- Cylinder thread: 4" 8UN
- Filettatura Bombola: 4" 8UN

### ACCESSORIES INCLUDED:

Upper filter - Code D1199-11

Lower filter - Code FLA18396

Distributor tube Ø 50 - Code ARI00369

Transformer - Code V3186EU

DLFC (for Version 1600-1700) - Code V3162-OXX

Air Check 3/8" - Code FLA18168 (Version 1600)

Air Check 1/2" - Code FLA18979 (Version 1700)

Intermediate elbow 3/8" P10312S (Version 1600)

Intermediate elbow 1/2" H4924 (Version 1700)

Connection fitting between valves V4430-02

Connection tubes excluded

### VALVES WITH ACCESSORIES

Code	Description	€
CL100130	Clack VTT15CI 1600 Twin Duplex PLT valve complete with black cover	
CL100132	Clack VTT15CI 1700 Twin Duplex PLT valve complete with black cover	
CL100131	Clack VTT15CM 1600 Twin Duplex PLT valve complete with black cover	
CL100133	Clack VTT15CM 1700 Twin Duplex PLT valve complete with black cover	



## WS1CI - WS1CM DF DUPLEX VALVE SYSTEM

Duplex systems consist of two WS1CI valves plus a 3-way valve for line alternation in service. In particular, they are systems where one column is always in service and the other is in regeneration or stand-by.

Regeneration starts via the valve-built-in turbine. Version 1600 - 3-way valve model V3069MM including Elbow Fitting Kit - Code V3191-01 Version 1700 - 3-Way Valve Model V3069FF including 1" Male Fitting Kit - Code V3007-06

### ACCESSORIES INCLUDED IN THE SOFTENING VERSION:

- Upper filter - Code D1203
- Lower Filter - Code D1236
- Distributor Hose Ø 27 - Code ARI00364
- Transformer - Code V3186EU
- Exhaust nut - Code V3192
- Insert for drain connection - Part No. PKP10TS8-BULK
- DLFC (for Vers. 1600) - Code V3162-XXX
- DLFC (for Vers. 1700) - Code V3190-XXX
- Air Check 3/8" - Code FLA18168 (Vers. 1600)
- Air Check 1/2" - Code FLA18979 (Vers. 1700)
- 1" drain connection - Code V3008-02 (vers. 1700)
- Adapter for Air check 1/2" - Code H4924 (Vers. 1700)
- 3/8" Elbow Intermediate - Code PI0312S (Vers. 1600)
- Fitting Kit 1" Male BSP - Code V3007-06



### VALVES WITH ACCESSORIES

Code	Description	€
CL100301	Duplex 1" WS1CI 1600 system complete with two valves and motorised 3-way valve	
CL100311	Duplex 1" WS1CI 1700 system complete with two valves and motorised 3-way valve	
CL100302	Duplex 1" WS1CM DF 1600 system complete with two valves and motorised 3-way valve	
CL100312	Duplex 1" WS1CM DF 1700 system complete with two valves and motorised 3-way valve	

## DUPLEX VALVE SYSTEM WS1.25CI - WS1.25 CM DF

Duplex systems consist of two WS1.25CI valves plus a 3-way valve for line alternation in service. In particular, they are systems where one column is always in service and the other is in regeneration or stand-by. Regeneration starts via the valve-built-in turbine.

Version 1600 - 3-way valve model V3069MM including Elbow Fitting Kit - Code V3191-01 Version 1700 - 3-Way Valve Model V3069FF including 1" Male Fitting Kit - Code V3007-06

### ACCESSORIES INCLUDED IN THE SOFTENING VERSION:

- Upper filter - Code D1203-03
- Lower Filter - Code D1238
- Dispenser Pipe Ø 32 x 1500 mm - Code ARI00362
- Transformer - Code V3186EU
- Exhaust nut - Code V3192
- Insert for drain connection - Part No. PKP10TS8-BULK
- DLFC (for Vers.1600) - Code V3162-XXX
- DLFC (for Vers. 1700) - Code V3190-XXX
- Air Check 3/8" - Code FLA18168 (Vers. 1600)
- Air Check 1/2" - Code FLA18979 (Vers. 1700)
- 1" drain connection - Code V3008-02 (Vers. 1700)
- Adapter for Air check 1/2" - Code H4924 (Vers. 1700)
- 3/8" Elbow Intermediate - Code PI0312S (Vers. 1600)
- Connector Kit 1" 1/4 Male BSP - Code V3007-05



### VALVES WITH ACCESSORIES

Code	Description	€
CL100321	Duplex system 1" 1/4 WS1.25CI 1600 complete with two valves and motorised 3-way valve	
CL100331	Duplex system 1" 1/4 WS1.25CI 1700 complete with two valves and motorised 3-way valve	
CL100322	Duplex system 1" 1/4 WS1.25CM DF 1600 complete with two valves and motorised 3-way valve	
CL100332	Duplex 1" 1/4 WS1.25CCM DF 1700 system complete with two valves and 3-way motorised valve	

## WS1.5PCI DUPLEX VALVE SYSTEM

Duplex systems consist of two WS1.5PCI valves, plus a 3-way valve for line alternation in service, in particular they are systems where one column is always in service and the other is in regeneration or stand-by. The start of regeneration is via a volumetric counter positioned after the 3-way valve. Delivery includes a 3-way valve model V3034.

### ACCESSORIES INCLUDED IN THE SOFTENING VERSION:

- V3162-xx DLFC for discharge 3/4
- FLA18396 Lower diffuser Ø 50 mm
- D1199-11 Upper d.50 SNAP x Clack Valve WS1.5 PLT
- H4924 Fitting Elbow Kit 494 Air Check 1/2" Polytube Connection (vers. 1700)
- PI0312S 3/8 elbow intermediate (1600 vers.)
- FLA18979 Air Checks 900 1.88 m 1700 & 1800 (1700 vers.)
- FLA18168 Air Checks 500A 915 mm (36") 1600 & 1650 (1600 vers.)
- V3192 Exhaust nut
- PKP10TS8-BULK Insert for 3/4" drain connection
- V3186EU Transformer for Clack valve
- ARI00369 Rigid PVC pipe d.50 L= 195 cm
- V4430-02 WS15P Fitting Assembly QC to BSPT (vers. 1700)
- V4144-01 Elbow coupling 3/8" complete with BLFC (vers. 600)
- JCPG-6PBLK Ring nut for 3/8" pipe
- JCP-P-6 Tube Insert 3/8"
- V3163 O ring drain connection brine connection
- V3165-01 Complete BLFC holder cage
- V4430-02 WS15P Fitting Assembly QC to BSPT
- 1" 1/2 meter with 4.5 m cable - Code V3045BSPT-15



### VALVES WITH ACCESSORIES

Code	Description	€
CL100343	Duplex system 1" 1/2 WS1.5PCI 1600 complete with two valves and motorised 3-way valve	
CL100344	Duplex 1" 1/2 WS1.5PCI 1700 system complete with two valves and motorised 3-way valve	

## DUPLEX VALVE SYSTEM WS1.5CI - WS1.5CM DF

Duplex systems consist of two WS1.5CI valves, plus a 3-way valve for line alternation in service, in particular they are systems where one column is always in service and the other is in regeneration or stand-by. The start of regeneration is via a volumetric counter positioned after the 3-way valve. The scope of delivery includes a 3-way valve model V3071BSPT 1" 1/2 female.

### ACCESSORIES INCLUDED IN THE SOFTENING VERSION:

- Upper Filter Subvalve - Code KIT8
- Dispenser Pipe Ø50 x 1820 mm - Code FLA18404
- Transformer - Code V3186EU
- Exhaust nut - Code V3192
- Insert for drain connection - Part No. PKP10TS8-BULK
- DLFC (for Vers. 1600) - Code V3162-XXX
- DLFC (for Vers. 1700) - Code V3190-XXX
- Air Check 3/8" - Code FLA18168 (Vers. 1600)
- Air Check 1/2" - Code FLA18979 (Vers. 1700)
- 1" drain connection - Code V3008-02 (vers. 1700)
- Adapter for Air check 1/2" - Code H4924 (Vers. 700)
- 3/8" Elbow Intermediate - Code PI0312S (Vers. 600)
- Meter 1" 1/2 with 4 m cable - Code V3040BSPT-15



### VALVES WITH ACCESSORIES

Code	Description	€
CL100341	Duplex system 1" 1/2 WS1.5CI 1600 complete with two valves and motorised 3-way valve	
CL100351	Duplex system 1" 1/2 WS1.5CI 1700 complete with two valves and motorised 3-way valve	
CL100342	Duplex system 1" 1/2 WS1.5CM DF 1600 complete with two valves and motorised 3-way valve	
CL100352	Duplex system 1" 1/2 WS1.5CM DF 1700 complete with two valves and 3-way motorised valve	

## WS2CI - WS2CM DF DUPLEX VALVE SYSTEM

Duplex systems consist of two 2" valves plus a 3-way valve for line alternation in service. In particular, they are systems where one column is always in service and the other is in regeneration or stand-by. The start of regeneration takes place via a volumetric counter in series positioned after the 3-way valve.

Delivery includes a 3-way valve model V3076BSPT 2" female.

### ACCESSORIES INCLUDED IN THE SOFTENING VERSION:

- Upper Filter Subvalve - Code KIT8
- Dispenser Pipe Ø50 x 1820 mm - Code FLA18404
- Transformer - Code V3186EU
- Exhaust nut - Code V3192
- Insert for drain connection - Part No. PKP10TS8-BULK
- DLFC (for Vers. 1600) - Code V3162-XXX
- DLFC (for Vers. 1700) - Code V3190-XXX
- Air Check 3/8" - Code FLA18168 (Vers. 1600)
- Air Check 1/2" - Code FLA18979 (Vers. 700)
- 1" drain connection - Code V3008-05 (vers. 1700)
- Adapter for Air check 1/2" - Code H4924 (Vers. 1700)
- 3/8" Elbow Intermediate - Code PI0312S (Vers. 1600)
- 2" meter with 4m cable - Code V3094BSPT-15

**Note: for 36"-42"-48" tank add no. 2 W3080BSPT**



### VALVES WITH ACCESSORIES

Code	Description	€
CL100381	2" duplex system WS2CI 1600 complete with two valves and motorised three-way valve	
CL100391	2" duplex system WS2CI 1700 complete with two valves and motorised three-way valve	
CL100382	Duplex system 2" WS2CM DF 1600 complete with two valves and motorised three-way valve	
CL100392	2" duplex system WS2CIM DF 1700 complete with two valves and motorised three-way valve	

## DUPLEX VALVE SYSTEM WS2CI QC - WS2CM QC DF

Duplex systems consist of two 2" valves plus a 3-way valve for line alternation in service. In particular, they are systems where one column is always in service and the other is in regeneration or stand-by. The start of regeneration takes place via a volumetric counter in series positioned after the 3-way valve.

Delivery includes a 3-way valve model V3076BSPT 2" female.

The valve has clamp-type connections for the main connections.

This exists in a head-mounted or side-mounted version.

### ACCESSORIES INCLUDED IN THE SOFTENING VERSION:

- WS2H/2QC Head Mounting Adapter 6" Flanged Part No. V3055 (distributor tube Ø 63)
- WS2H/2 QC Side Mounting Adapter 2" BSPT- Part No. V3260BSPT-02
- Transformer - Code V3186EU
- DLFC - Codice V3080BSPT
- Air Check 1/2" - Codice FLA18979
- 1" drain connection - Code V3008-05
- Adapter for Air check 1/2" - Code H4924
- 2" meter with 4m cable - Code V3094BSPT-15



### VALVES WITH ACCESSORIES

Code	Description	€
CL100385	Duplex system 2" WS2CI QC 1700 TOP mount complete with two valves, motorised three-way valve and accessories	
CL100395	Duplex system 2" WS2CI QC 1700 SIDE mounting complete with two valves, three-way motorised valve and accessories	
CL100386	Duplex system 2" WS2CM QC 1700 TOP mount complete with two valves, three-way motorised valve and accessories	
CL100396	Duplex system 2" WS2CM QC 1700 SIDE mount complete with two valves, three-way motorised valve and accessories	

## DUPLEX SYSTEM WS2CI PLT VALVES

Duplex systems are composed of two 2" valves plus a 3-way valve to alternate the line in service. In particular, they are systems in which one column is always in service and the other is in regeneration or stand-by. Regeneration begins via a volumetric counter in series positioned after the 3-way valve. The supply includes a 3-way valve model V3036 2" female

### ACCESSORIES INCLUDED

#### WATER SOFTENER VERSION::

- Upper filter Under valve - Code D1199-11
- Distributor tube Ø50 x 1820 mm - Code FLA18404
- Transformer - Code V3186EU
- Air Check 3/8" - Code FLA18168 (Vers. 1600)
- Air Check 1/2" - Code FLA18979 (Vers.1700)
- 2" connection V4460-02 - V4460-03
- Meter V3048QC
- Adapter for Air check 1/2"
- Code H4924 (Vers. 1700)
- Intermediate elbow 3/8"
- Code PI0312S (Vers. 1600)



### VALVES WITH ACCESSORIES

Code	Description	€
CL100388	2" WS2CI PLT 1600 duplex system with 2 valves and 3-way motorized valve	
CL100389	2" WS2CI PLT 1700 duplex system with 2 valves and 3-way motorized valve	



## WS3 DUPLEX VALVE SYSTEM

Duplex systems consist of two WS3 valves plus a 3-way valve for line alternation in service. In particular, they are systems where one column is always in service and the other is in regeneration or stand-b. The start of regeneration takes place via a volumetric counter in series positioned after the 3-way valve. These valves can be mounted on both single-hole cylinders (Top mounting) and double-hole cylinders (Side mounting). The scope of delivery includes a 3-way valve model V3083BSPT 3" female.

### ACCESSORIES INCLUDED IN THE SOFTENING VERSION:

- Transformer - Code V3461EU
- Head Mounting Adapter 6" Flanged - Code V3090
- Side mounting adapter 3" BSPT- Part no. V3674BSPT-02
- 3" BSP Drain Connector Kit - Code V3764BSPT
- DLFC - Code V3190-XXX
- DLFC - Code V3162-XXX
- 3" meter with 4.5 m cable - Code V3075BSPT



### VALVES WITH ACCESSORIES

Code	Description	€
CL300130	3" WS3 duplex system complete with two TOP-mounted valves and motorised three-way valve	
CL300135	3" WS3 duplex system complete with two SIDE-mounted valves and motorised three-way valve	

## MULTIVALVE CONTROL UNIT

The control unit allows the control of up to 6 Clack valves from 1" to 2" simultaneously with different programming solutions. With this system, the manufacturer can design customised systems according to the needs of the end user. Below are the various management possibilities:

**Progressive flow** Each valve in the system requires its own meter. In a progressive flow system, a flow ADD-POINT must be set. This ADD-POINT is the flow quantity at which one or more units are put into service to achieve the required flow quantity. The units will be put into service after the flow exceeds this previously set ADD-POINT and will maintain this flow for 30 seconds. If the flow increase quickly exceeds the ADD-POINT by 120%, the unit will be put into service immediately to achieve the required flow. Units are taken out of service when the flow demand decreases by 90 per cent of the individual unit's ADD-POINT for 1 minute.

**Alternating flow** Each valve in the system requires its own meter. In an alternating system, one unit will always be in WAIT or REGENERATION with all others in SERVICE. The alternating system has a unique logic that staggers the valves based solely on capacity so that there is always sufficient capacity even with a valve in regeneration.

**Random** Each valve in the system requires its own counter. All units are in service until a unit starts regenerating. Regeneration is only possible to one valve at a time. Each individual valve is allowed to regenerate when necessary.

**Series** Each valve in the system requires its own meter or it is also possible to use a single meter at the outlet of the system connected directly to the control unit. All units are in service until a unit starts regenerating. Regeneration is only possible to one valve at a time. If one of the valves indicates regeneration, that valve will be the first to go into regeneration followed by all the other valves in series.

### Technical specifications:

- The control unit can control from 2 to 6 units. 1.0", 1.25", 1.5" or 2" Clack valves can be used
- All valves are electrically powered directly from the centreline.
- All operating and diagnostic data can be uploaded to a standard USB drive
- The control unit is equipped with two relays
- The volume of each individual unit can be programmed.
- A lithium battery maintains the time in the event of a power failure
- Microprocessor with user-friendly front programming
- The front display shows the time of day, day of the week, days until the next regeneration, current flow and total volume used by the system
- Panel LEDs indicate the status of the system Online, Standby and in regeneration



Code	Description	€
V3030-01	Multivalve control unit	
V4276-36	Control unit/valve power cable L. 11 mt	

## MOTORIZED 3-WAY VALVES

Code	Description	€
V3069FF	3-way motorised valve FF for alternating duplex WS1CI and WS1.25CI	
V3069MM	3-way motorised valve MM for alternating duplex WS1CI and WS1.25CI	
V3034	Motorised 3-way 1.5" plastic valve for duplex alternating WS1.5PCI	
V3071BSPT	3-way motorised valve for alternating duplex WS1.5CI	
V3076BSPT	3-way motorised valve for alternating duplex WS2CI	
V3083BSPT	3-way motorised valve for alternating duplex WS3	
V3036	3-way motorised valve for alternating duplex WS2PCL	<b>NEW</b>
Code	Description	€
V3070FM	2-way motorised valve FM no by-pass for WS1CI and WS1.25CI valves	
V3070FF	2-way motorised valve FF no by-pass for WS1CI and WS1.25CI valves	
V3035	2-way motorised valve PLT no by-pass valve WS1.5PCI	
V3097BSPT	Two-way motorised valve no by-pass for WS1.5CI valve	
V3098BSPT	Two-way motorised valve no by-pass for WS2CI valve	
V3037	Two-way motorised valve no by-pass for WS2PCL valve	<b>NEW</b>
V3099BSPT	Two-way motorised valve no by-pass for WS3 valve	



5.0

Clack valves



## CLACK ACCESSORIES COUNTERS

Code	Description	
V3040BSPT	Counter 1" 1/2 MF for WS1.5CI	
V3040BSPT-15	Counter 1" 1/2 MF cable L. 4.5 metres for WS1.5CI	
V3094BSPT	2" MF counter for WS2CI	
V3094BSPT-15	Counter 2" MF cable L. 4.5 metres for WS2CI	
V3095BSPT	3" MF counter for WS3	
V3095BSPT-15	Counter 3" MF cable L. 4.5 metres for WS3	
V3039	WS1 in-line meter 1" plastic	
V3039-15	WS1 in-line meter 1" plastic cable L 4.5 m	
V3045BSPT	Inline meter 1.5" plastic	
V3045BSPT-15	Inline meter 1.5" plastic cable L. 4.5 m	
V3045QC-15	1.5" quick connect plastic counter	
V3048BSPT	2" PLT counter for WS2P	<b>NEW</b>
V3048BSPT-15	2" PLT meter for WS2P cable 4.5 m long	
V304QC	PLT QC-QC counter for WS2P	<b>NEW</b>
V304QC-15	PLT QC-QC meter for WS2P cable L. 4.5 m	
V3003-05	WS1 Meter Assembly	<b>NEW</b>
V4055	Twin tank meter asy	
V3221	Remote meter cable L. 4.5 m	



## FLOW CONTROL

Code	Description	
V3008-02	Complete 1" outlet fitting for WS1/WS1.25 valves	
V3008-05	Complete 1" exhaust connection for valves WS2CI	
V3079BSPT	Outlet connection 1" 1/4 BSPT for WS1.5 valves	
V3080BSPT	Outlet connection 1" 1/2 for valves WS2CI and WS3	
V3051BSPT	Outlet connection 2" BSPT for WS2CI and WS3 valves	
V3764BSPT	Outlet connection 3" BSPT for WS3 valves	



## FITTINGS KIT

Code	Description	€
V3007-16	In/out fitting kit 1" Male BSPT elbow	
V3007-08	1" 1/4 M straight fitting kit for WS1CI & WS1TC valves	
V3007-06	1" M straight in/out fitting kit	
V3007-14	3/4" M straight in/out fitting kit	
V3007-07	1 1/4" glue fitting kit	
V4052	Pipe diameter 1"1/4 L=20"	
V4430-03	WS15P QC fitting kit at Qcm28.00	
V4430-02	WS15P quick connect fitting kit	
V4430-08	WS15P FTG ASY QC TO BSPT ELBOW	<b>NEW</b>
V4430-09	WS15P FTG ASY QC TO QC ELBOW	<b>NEW</b>
V4430-12	WS15P 1.5" stainless steel BSPT straight assembly	<b>NEW</b>
V4460-02	PLT 2" fittings - QC WS2P - BSPT	
V44060-03	QCxQC WS2P plastic joint	<b>NEW</b>
V4460-12	2" QC - WSP - BSPT steel fittings	
V4460-05	QC Elbow x2" Plastic Elbow - BSPT	<b>NEW</b>
V4460-06	QC Elbow x QC Plastic Elbow	<b>NEW</b>
V4430-12	Steel fittings 1 « 1/2 - QC WS1.5P - BSPT	<b>NEW</b>



5.0

Clack valves

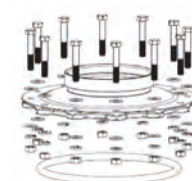
## BY-PASS - MIXING

Code	Description	€
V3006	By-pass for WS1CI, WS1TC & WS1.25CI valves	
V3191-01	Elbow adaptors for by-pass V3006	
V4099	Inline-mounted external mixing valve	
V3467	WS1 Inline adapter fittings for bypass	



## SIDE/TOP MOUNTING ADAPTERS

Code	Description	€
V3055	Overhead mounting adapter - 6" flange for WS2	
V3090	Overhead mounting adapter - 6" flange for WS3	
V3260BSPT-02	Side-mounting adapter 2" BSPT	
V3674BSPT-02	Side-mounting adapter 3" BSPT	



## CONNECTION CABLES

Code	Description	€
V3340	Interconnecting cable for WS1/1.25/1.5 cascade regeneration	
V3474	Interconnection cable kit for duplex WS1/1.25/1.5/2 L. 2 m	
V3475-12	WS2/3 3.65 m communication cable	
V3475-24	WS2/3 7.3 m communication cable	
V3475-36	WS2/3 Communication cable 10.90 m	

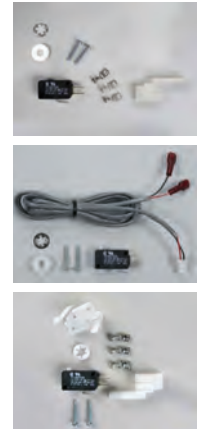
## DIFFUSORS

Code	Description	€
D1196-09	Bottom diffuser d.50 x WS1.5 clack valve	
D1197-09	Bottom diffuser d.50 x WS2 clack valve	
D1199-04	Upper crepine d.50 x WS1.5 clack valve	
D1199-05	Upper crepine d.63 x WS2 Q clack valve	
D1199-11	Upper crepine d.50 SNAP x WS1.5"/2" PLT clack valve	
D1203	Upper collector/basket	
D1203-03	Top distributor for ws125 d.32	
D1236	Lower collector/basket	
D1238	Bottom Distributor For Ws125 D.32	
D1300	Top Baffle Diffuser 1"12/50mm	
D1300-01	Undervalue diffuser for WS2 valve	



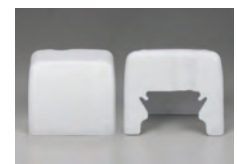
## AUXILIARY MICROSWITCH KIT

Code	Description	€
V3009	Microswitch kit for WS1/1.25/1.5 for ongoing regeneration signal	
V3014	Microswitch kit complete with cable for WS1/1.25/1.5 for series regeneration	
V3017	Kit microswitch per WS2	



## VARIOUS

Code	Description	€
V3175WC-A	Ivory splash guard cover WS1CI, WS1TC & WS1.25CI	
V3974WC-A	Ivory splash guard cover WS1.5CI	
V3783WC-A	Ivory splash guard cover WS2CI	
V4051WC	Splash guard cover WS3H	
V3193-02	Key WS1	
V3022	WS1 Spacer extractor	
V3022-15	WS1.25/1.5 Extractor for spacers	
ARI00572	Chlorine generator	

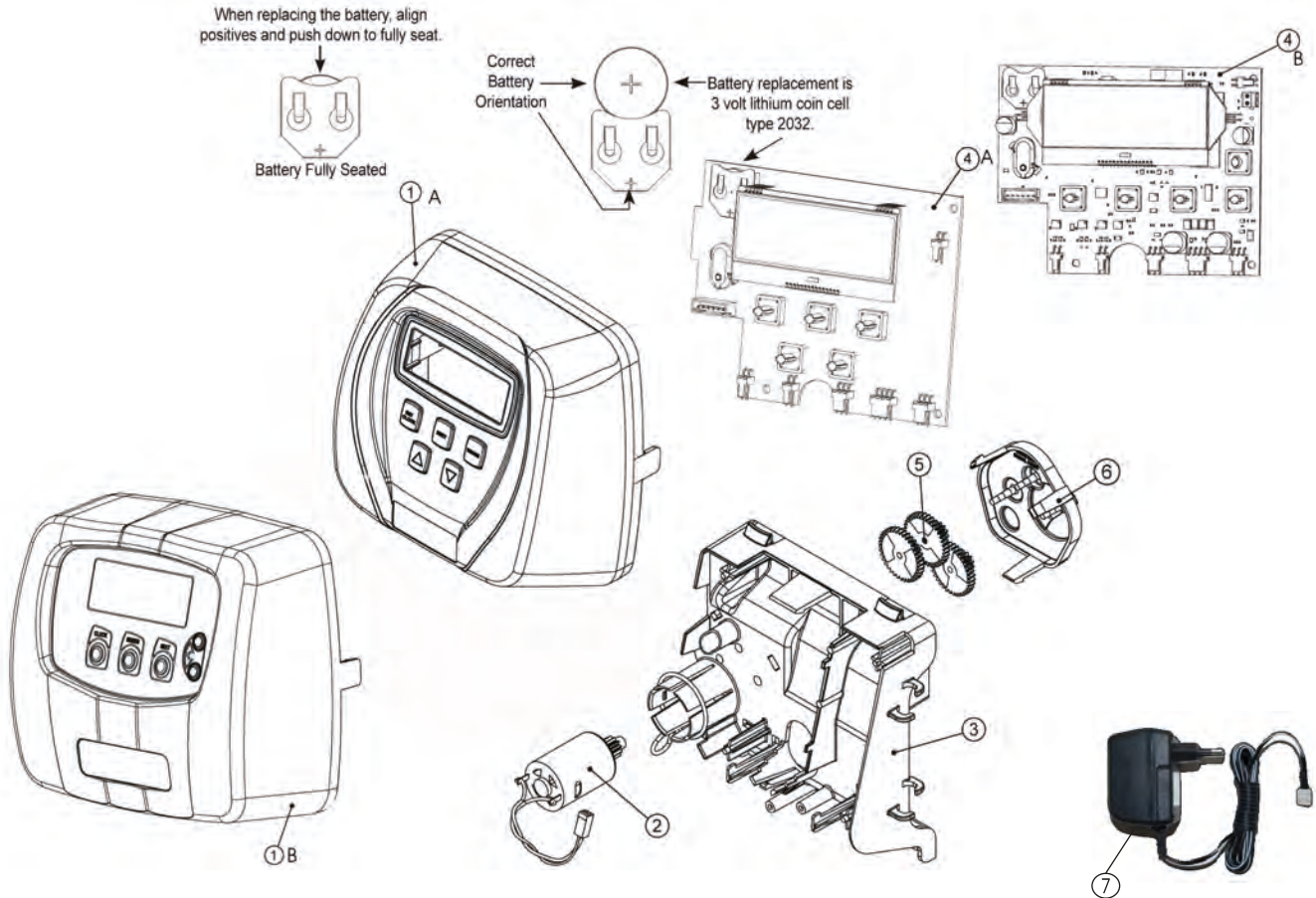


# CLACK SPARE PARTS AND EXPLODED VIEWS



## SPARE PARTS TIMER CI - CM - TWIN

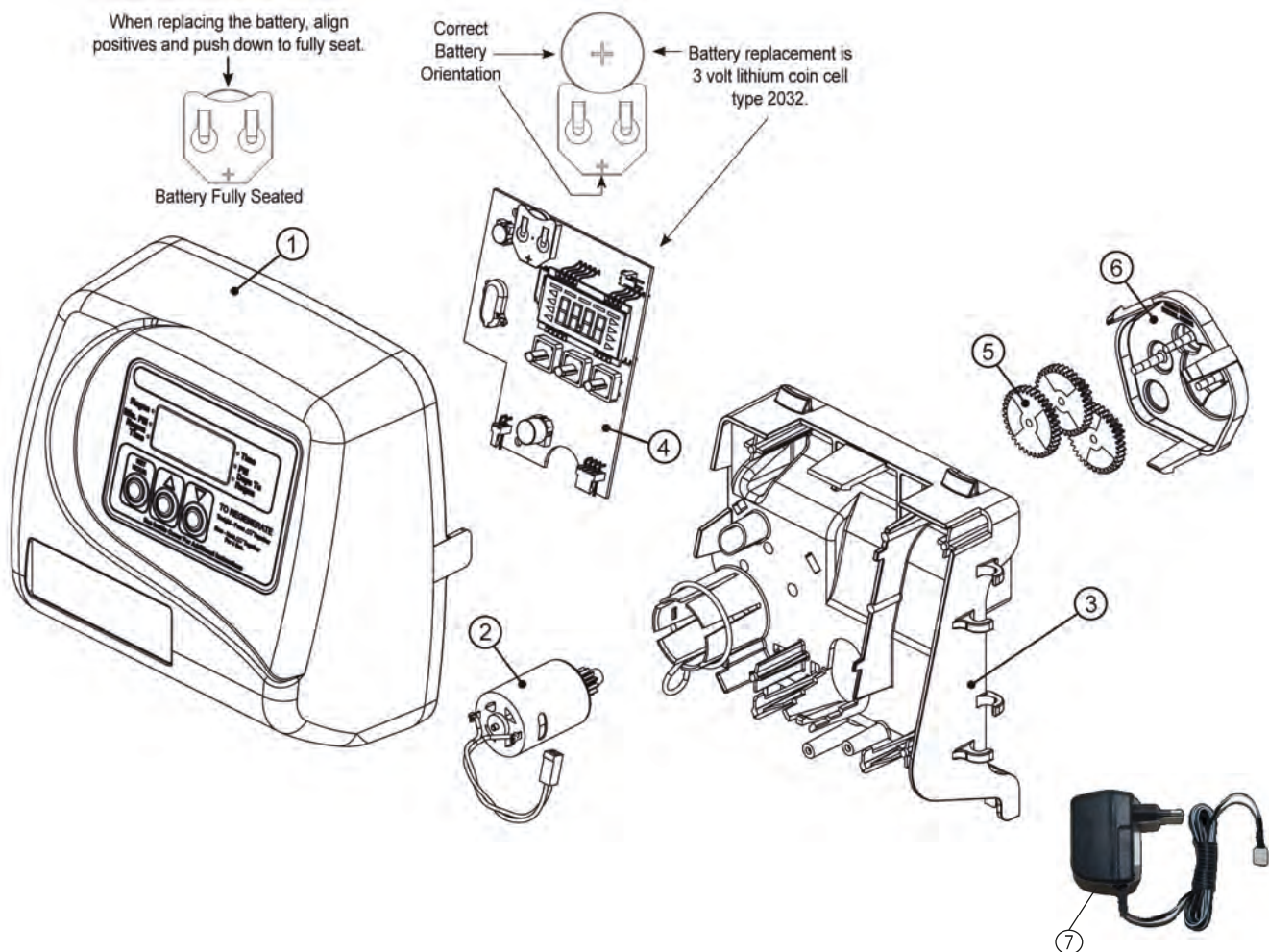
5.0  
Clack valves



Ref.	Code	Description	€
1	V3175CI-01	WS1CI Front Cover Assembly	
1	V3998-01	WS Cm Front Cover Assembly	
1	V3175CI-01A	WS1CI Front Cover Assy Almond	
2	V3107-01	WS1 Motor	
3-5-6	V3002-A	WS1 Drive Bracket & Spring Clip	
4	V3108CI-03-BOARD	WS1 Thru 2 CI Pcb Xmega Repl	
4	V4070CM-BOARD	WS1 Thru 2 CM Pcb Xmega Repl For CM	
5	V3110	WS1 Drive Reducing Gear 12X36	
6	V3109	WS1 Drive Gear Cover	
NS	V3946	WS Wide Back Plate Cm	
NS	V3178	WS1 Drive Backplate	
7	V3186-06	Clack valve transformer 110-220V - 15DC - USA PLUG	
7	V3186EU-06	Clack valve transformer 100-240V - 15DC	



## TC TIMER SPARE PARTS

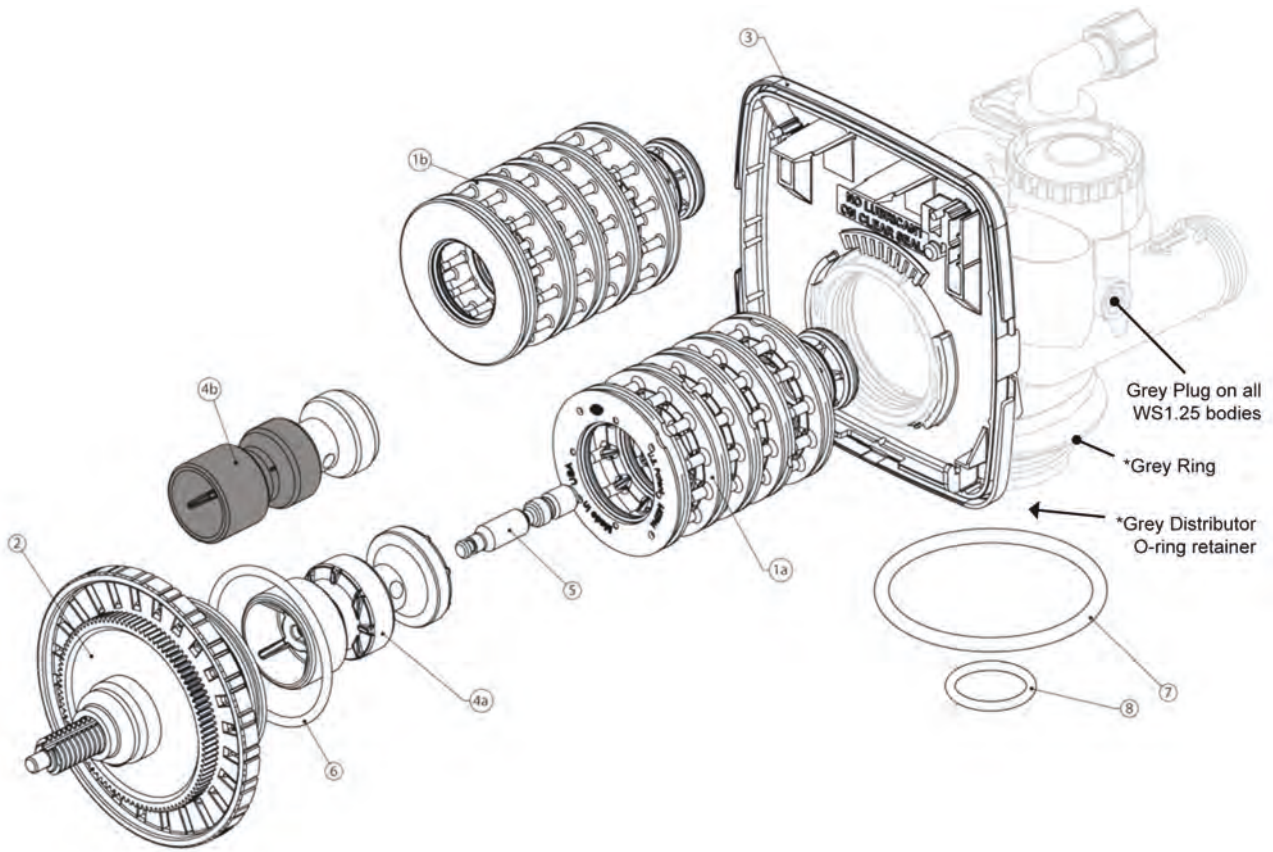


Ref.	Code	Description	€
1	V3175TC-01A	WS1Tc Front Cover Asy Almond	
1	V3175TC-01	WS1Tc Front Cover Asy Black	
2	V3107-01	WS1 Motor Asy	
3-5-6	V3200-A	WS1 Drive Bracket & Spring Clip	
4	V3818TC-BOARD	WS1Tc Pc Board 4-Digit	
5	V3110	WS1 Drive Reducing Gear 12 X 36	
6	V3109	WS1 Drive Gear Cover	
7	V3186-06	Clack valve transformer 110-220V - 15DC - USA PLUG	
7	V3186EU-06	Clack valve transformer 100-240V - 15DC	
NS	V3178	WS1 Drive Backplate	

## SPARE PARTS VALVE BODY 1" - 1"1/4 CI - CM

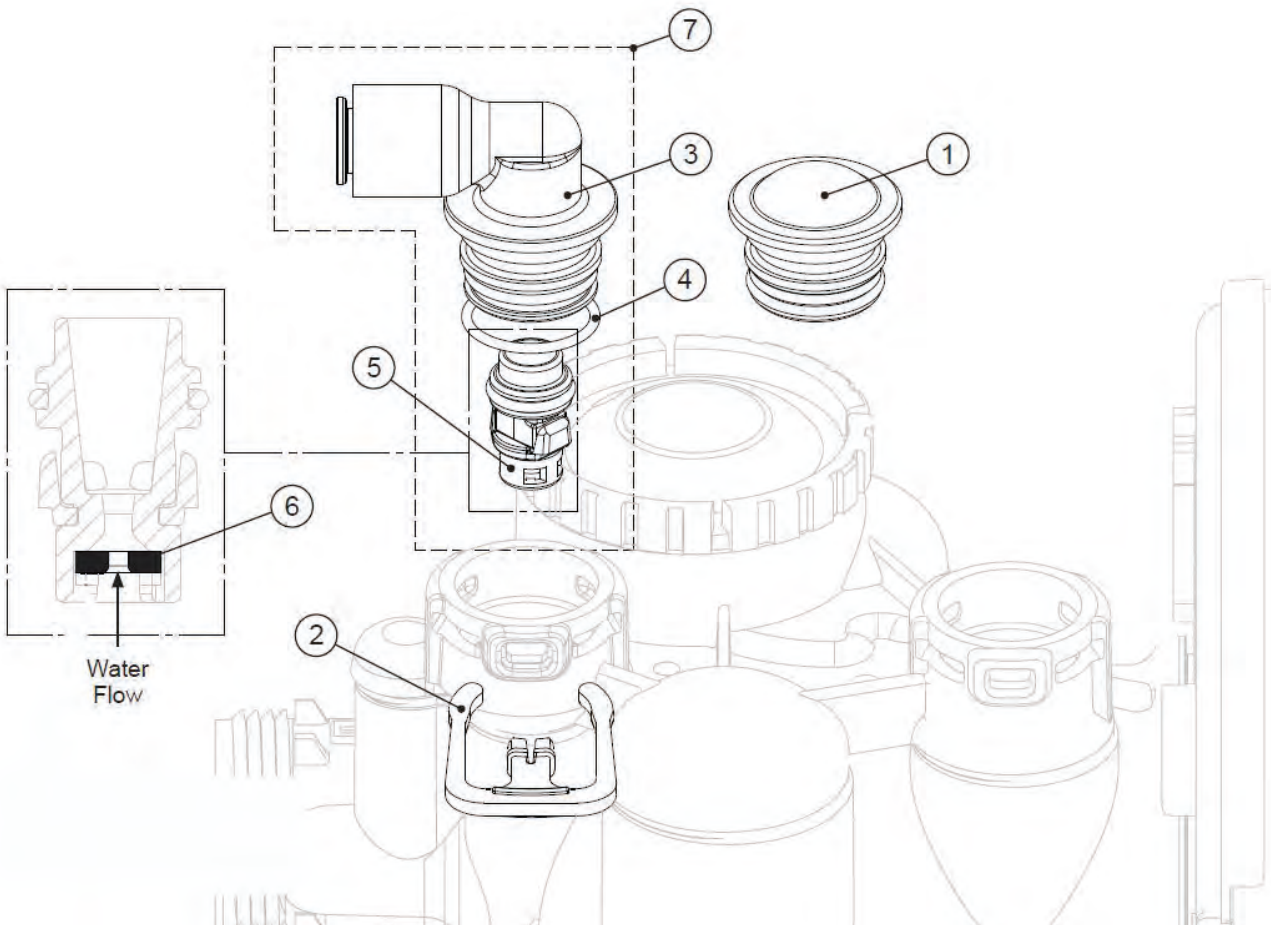
5.0

Clack valves



Ref.	Code	Description	€
1b	V3005	WS1 Spacer Stack Assembly	
1a	V3430	WS1.5 Spacer Stack Assembly	
2	V3004	Drive Cap Asy	
3	V3178	WS1 Drive Backplate	
3	V3946	WS1 Drive Back Plate Cm	
4a	V3407	WS125/15 Piston Downfl Ow Asy (Amber)	
4a	V3011	WS1 Piston Downfl Ow Asy	
4b	V3011-01	WS1 Piston Upfl Ow Asy	
4b	V4042	WS125/15 Piston Upfl Ow Asy (Black In Color)	
5	V3174	WS1 Regenerant Piston	
6	V3135	O-ring 228	
7	V3180	O-ring 337	
8	V3357	O-ring 218 (Distributor Tube Opening 32Mm)	
8	V3105	O-ring 215 (Distributor Tube)	

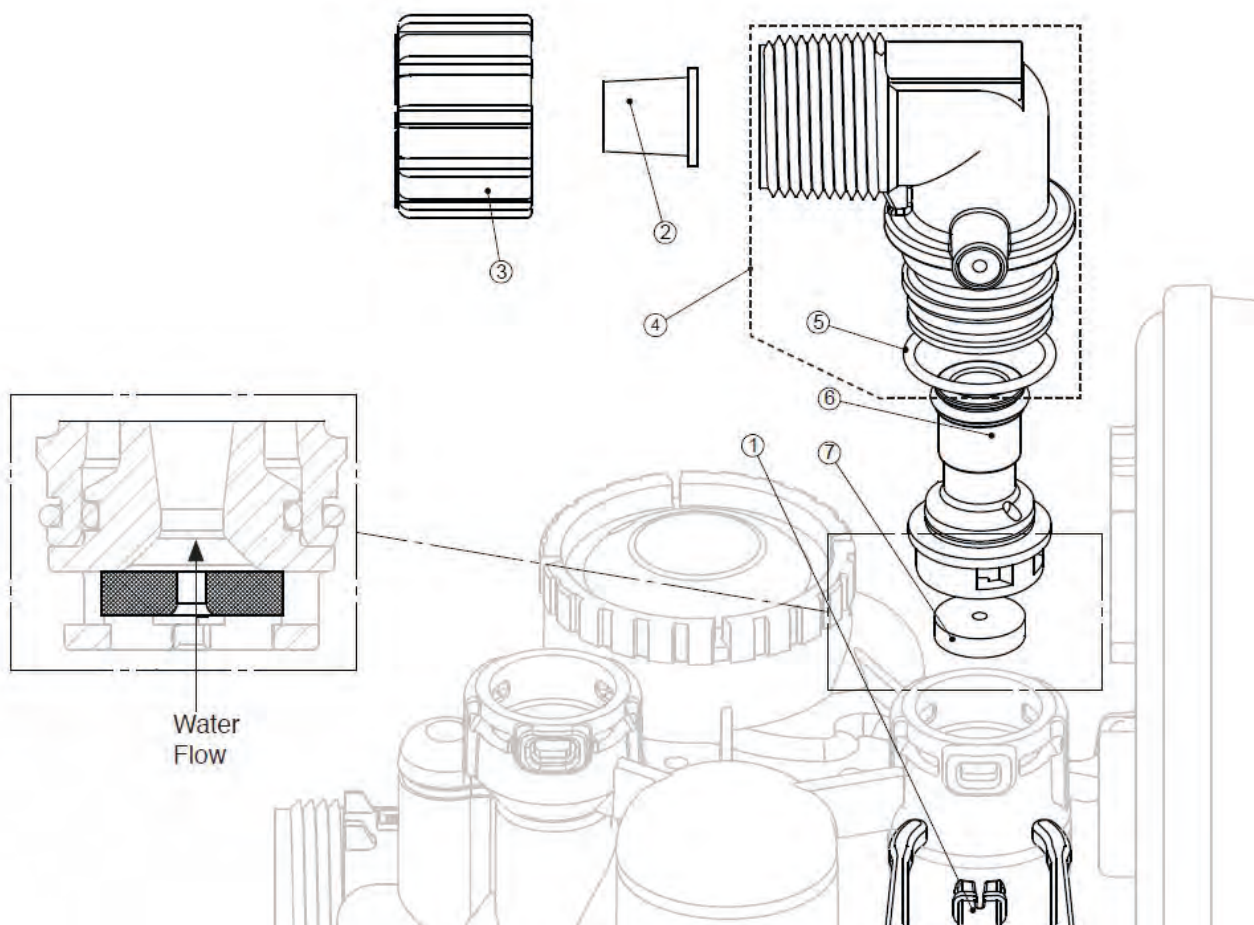
## SPARE PARTS INLET VALVE FITTING 1" - 1"1/4 CI - CM



Ref.	Code	Description	€
1	V3195-01	WS1 Refill Port Plug Asy	
2	H4615	Elbow Locking Clip	
3	H4628	Elbow 3/8" Liquifit	
4	V3163	O-ring 019	
5	V3165-01*	WS1 RFC Retainer Asy (0.5 gpm)	
6	V3182	BLFC 0,5 GMP	
7	V4144-01	Elbow 3/8", pl, Liquifit Asy w/RFC	
NS	V3552	WS1 Brine Elbow Asy w/RFC	

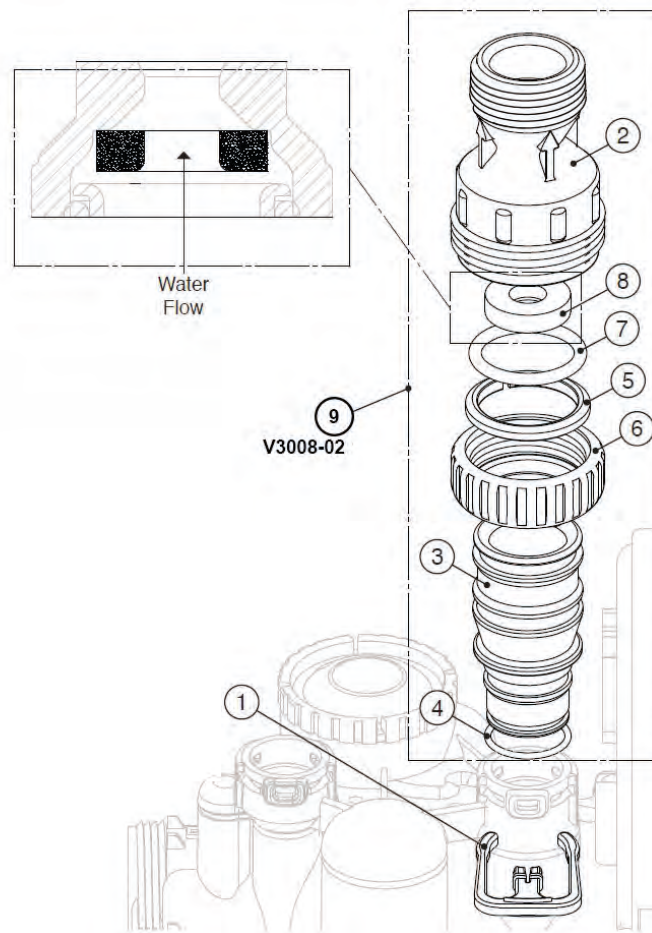


## SPARE PARTS 3/4" EXHAUST UNIT FOR VALVE 1" - 1" 1/4 CI - CM



Ref.	Code	Description	€
1	H4615	Elbow Locking Clip	
2	PKP10TS8-BULK	Polytube insert 5/8	
3	V3192	WS1 Nut 3/4 Drain Elbow	
4	V3158-01	WS1 Drain Elbow 3/4 Male No Silencer	
5	V3163	O-ring 019	
6	V3159-01	WS1 DLFC Retainer ASY	
	V3162-007	WS1 DLFC 0.7 gpm for 3/4	
	V3162-010	WS1 DLFC 1.0 gpm for 3/4	
	V3162-013	WS1 DLFC 1.3 gpm for 3/4	
	V3162-017	WS1 DLFC 1.7 gpm for 3/4	
	V3162-022	WS1 DLFC 2.2 gpm for 3/4	
	V3162-027	WS1 DLFC 2.7 gpm for 3/4	
7	V3162-032	WS1 DLFC 3.2 gpm for 3/4	
	V3162-042	WS1 DLFC 4.2 gpm for 3/4	
	V3162-053	WS1 DLFC 5.3 gpm for 3/4	
	V3162-065	WS1 DLFC 6.5 gpm for 3/4	
	V3162-075	WS1 DLFC 7.5 gpm for 3/4	
	V3162-090	WS1 DLFC 9.0 gpm for 3/4	
	V3162-100	WS1 DLFC 10.0 gpm for 3/4	

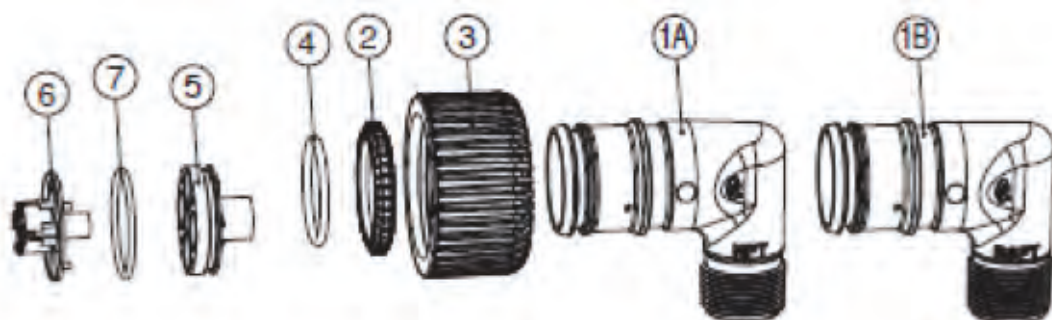
## SPARE PARTS EXHAUST FITTING 1" FOR VALVE 1" - 1" 1/4 CI - CM



Ref.	Code	Description	€
1	H4615	Elbow Locking Clip	
2	V3166	WS1 Drain FTG Body 1 FTG Flow Control Body Female 1"	
3	V3167	WS1 Drain FTG Adapter 1"	
4	V3163	O-ring 019	
5	V3150	WS1 Split Ring	
6	V3151	WS1 Nut 1" QC	
7	V3105	O-ring 215	
8	V3190-090	WS1 DLFC 9.0 gpm for 1	
	V3190-100	WS1 DLFC 10.0 gpm for 1	
	V3190-110	WS1 DLFC 11.0 gpm for 1	
	V3190-130	WS1 DLFC 13.0 gpm for 1	
	V3190-150	WS1 DLFC 15.0 gpm for 1	
	V3190-170	WS1 DLFC 17.0 gpm for 1	
	V3190-200	WS1 DLFC 20.0 gpm for 1	
	V3190-250	WS1 DLFC 25.0 gpm for 1	
9	V3008-02	WS1 Drain Fitting 1" Straight w/Silencer	

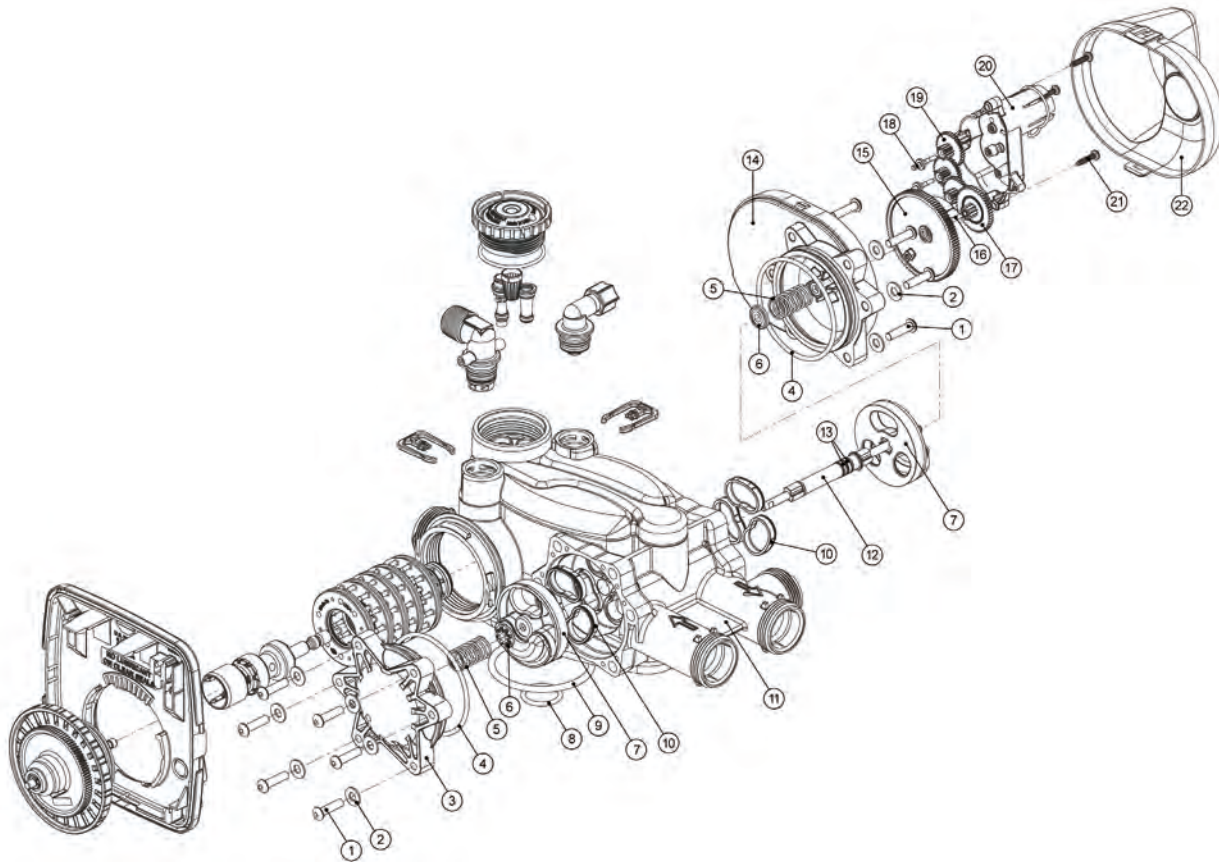


## SPARE PARTS DISCHARGE UNIT FOR VALVE 1" 1/2 PLASTIC CI - CM



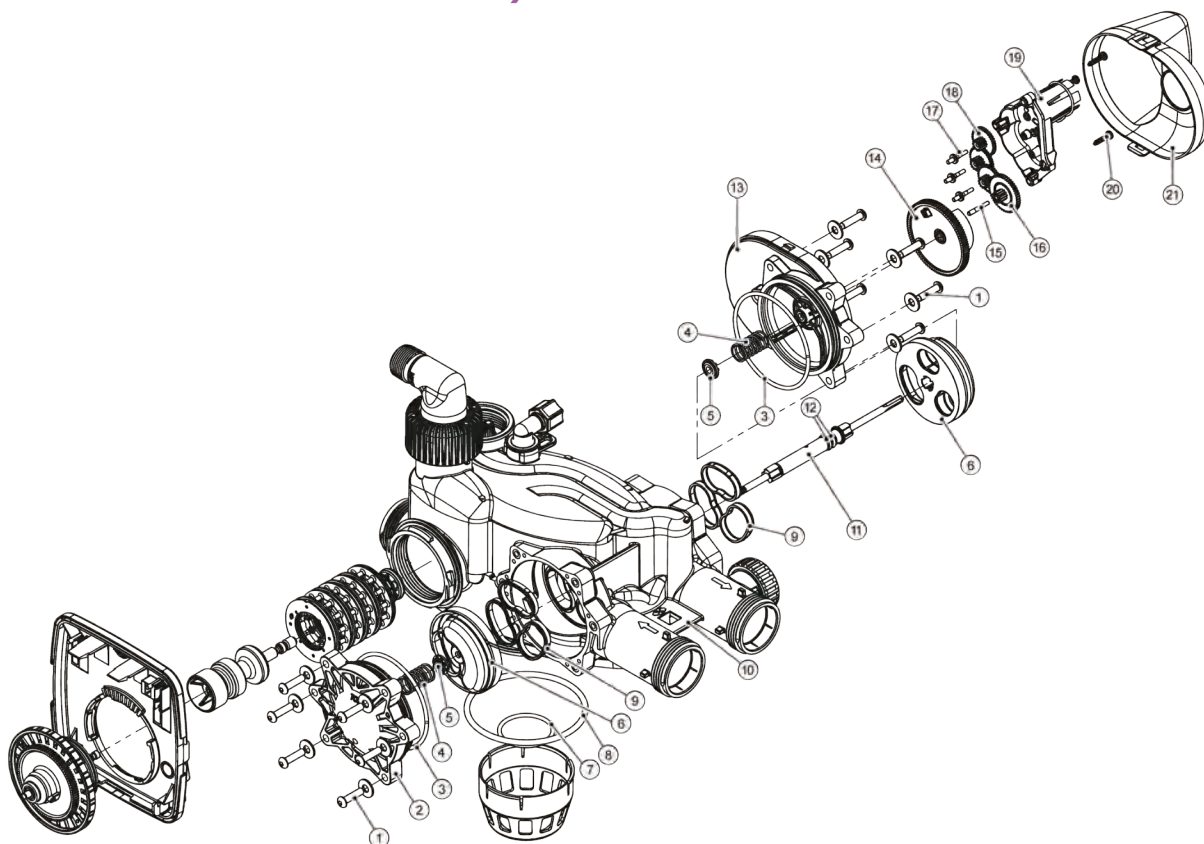
Ref.	Code	Description	€
1A	V4358	WS15P DRAIN ELBOW 1" NPT	
1B	V4359	WS15P DRAIN ELBOW 1" BSPT	
2	V4345	WS15P SPLIT RING	
3	V4344	QC NUT 1.5 PLASTIC	
4	V4367	O-RING 222	
5	V4351	FLOW CONTROL HOUSING	
6	V4352	FLOW CONTROL RETAINER	
7	V4364	O-RING 129	

## SPARE PARTS TWIN BODY CI - CM



Ref.	Code	Description	€
1	V3470	Screw Bhc 1/4-20 X 1 Ss	
2	V3724	Washer Flat Ss 1/4	
3	V4005-01	T1 Transfer Cap Asy	
4	V4029	O-ring 236	
5	V4015	T1 Transfer Spring	
6	V4014	T1 Transfer Spring Support	
7	V4036	T1 Rotor Disk Asy	
8	V3105	O-ring 215	
9	V3180	O-ring valve-tank o-ring 337	
10	V4016	T1 Transfer Seal	
11	V3031	T1 Body Sft Wtr Regen	
12	V4023	T1 Transfer Drive Shaft Asy	
13	V3287	O-ring 110	
14	V4006-01	T1 Transfer Drive Cap Asy	
15	V4011-01	T1 Transfer Drive Gear Asy	
16	V4012	T1 Transfer Drive Gear Axle	
17	V4013	T1 Transfer Reduction Gear	
18	V3264	WS2 Reduction Gear Axel	
19	V3110	Transmission gear with mirrors	
20	V3262-01	WS1.5/2 ALT /2 Reduction Gear Cover Assembly	
21	V3592	Screw #8-1 Phpn T-25 Ss	
22	V4049	T1 Cover Assembly	

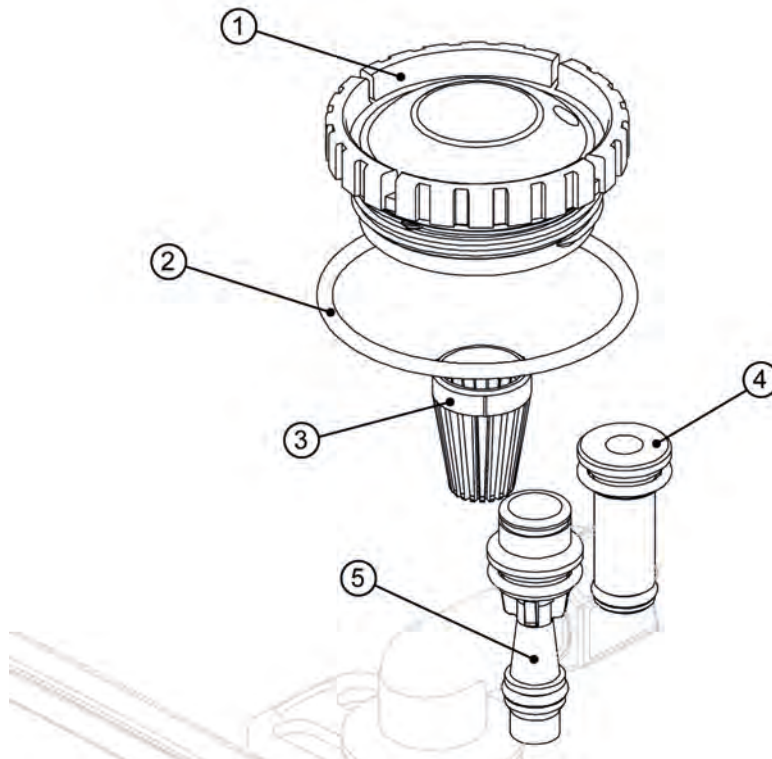
## TWIN BODY SPARE PARTS 1"1/5 CI PLT



Rif.	Code	Description	€
1	V3470	SCREW BHC 1/4-20 X 1 SS	
	V3724	SS 1/4 WASHER	
2	V4547	T15 TRANSFER CAP	
3	V4536	O-RING 240	
4	V4552	T15 TRANSFER SPRING	
5	V4014	T1 TRANSFER SPRING SUPPORT	
6	V4551	T15 ROTOR DISC ASY	
7	V3641	O-RING 225 (NPT only)	
7	V3441	O-RING 226 (BSPT only)	
8	V3419	O-RING 347	
9	V4543	T15 TRANSFER SEAL	
10	V4700-NPT	T15 BODY NPT ASY	
10	V4700-BSPT	T15 BODY BSPT ASY	
11	V4545	T15 TRANSFER DRIVE SHAFT	
12	D1245	O-RING 111	
13	V4548-01	T15 TRANSFER DRIVE CAP ASY	
14	V40111-01	T1 TRANSFER DRIVE GEAR ASY	
15	V4012	T1 TRANSFER DRIVE GEAR AXLE	
16	V4013	T1 TRANSFER REDUCTION GEAR	
17	V3264	WS2H BYPASS REDUCTION GEAR AXLE	
18	V3110-01	WS1 DRIVE REDUCING GEAR PLAIN	
19	V3262-01	WS1.5&2ALT/2BY REDUC GEAR CVR ASY	
20	V3592	SCREW #8-1 PHPN T-25 SS	
21	V4049	T1 COVER ASSEMBLY	
NOT SHOWN	V4043	T1 TRANSFER MOTOR ASY	
NOT SHOWN	V3151	WS1 NUT 1 QC	
NOT SHOWN	V4055*	TWIN TANK METER ASY	
NOT SHOWN	D1403	1192 1.5 IN/OUT HEAD	
NOT SHOWN	D1403-01	1192 50MM IN/OUT HEAD	

\* THIS WATER METER SHOULD NOT BE USED AS A PRIMARY MONITORING DEVICE FOR CRITICAL OR HEALTH-RELATED APPLICATIONS

## INJECTOR UNIT SPARE PARTS FOR 1" - 1" 1/4 - TWIN



Ref.	Code	Description	Cylinder type	€
1	V3176	INJECTOR CAP		
2	V3152	O-RING 135		
3	V3177-01	INJECTOR SCREEN CAGE		
4	V3010-1Z	WS1 INJECTOR ASY Z PLUG		
5	V3010-1A	WS1 INJECTOR ASY A BLACK	6"	
5	V3010-1B	WS1 INJECTOR ASY B BROWN	7	
5	V3010-1C	WS1 INJECTOR ASY C VIOLET	8"	
5	V3010-1D	WS1 INJECTOR ASY D RED	9"	
5	V3010-1E	WS1 INJECTOR ASY E WHITE	10	
5	V3010-1F	WS1 INJECTOR ASY F BLUE	12	
5	V3010-1G	WS1 INJECTOR ASY G YELLOW	13	
5	V3010-1H	WS1 INJECTOR ASY H GREEN	14	
5	V3010-1I	WS1 INJECTOR ASY I ORANGE	6	
5	V3010-1J	WS1 INJECTOR ASY J LIGHT BLUE	18	
5	V3010-1K	WS1 INJECTOR ASY K LIGHT GREEN	21"	
NS	V3170	O-ring 011		
NS	V3171	O-ring 013		

## INJECTOR UNIT SPARE PARTS FOR 1" 1/2 PLASTIC - TWIN

5.0

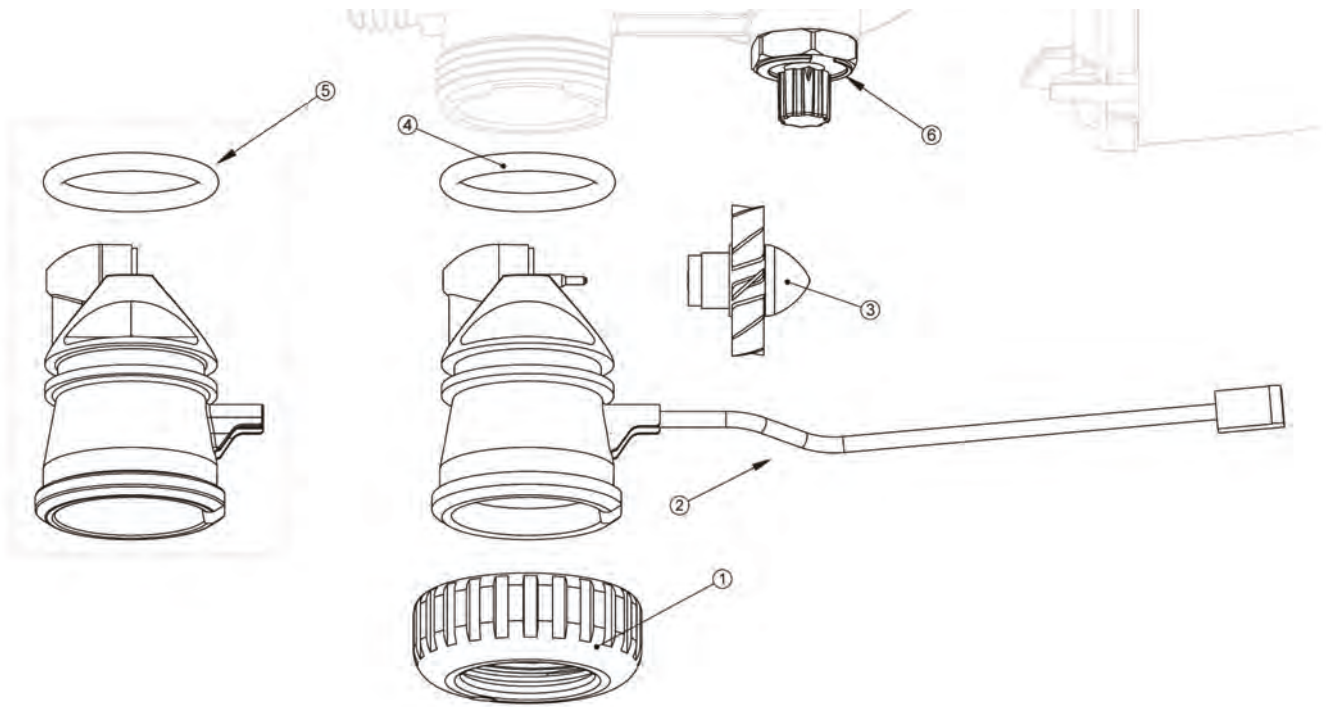
Clack valves



Ref.	Code	Description	€
1	V4349	WS15P INJECTOR CAP	
2	V3152	O-RING 135	
3	V4120	INJECTOR SCREEN	
4	V4350-15Z	WS15P INJECTOR FEED PLUG	
5	V3010-15Z	WS15 INJECTOR PLUG ASY	
6	V3010-15X	WS15 INJECTOR ASY	



# TURBINE SPARE PARTS FOR 1" - 1" 1/4 - TWIN



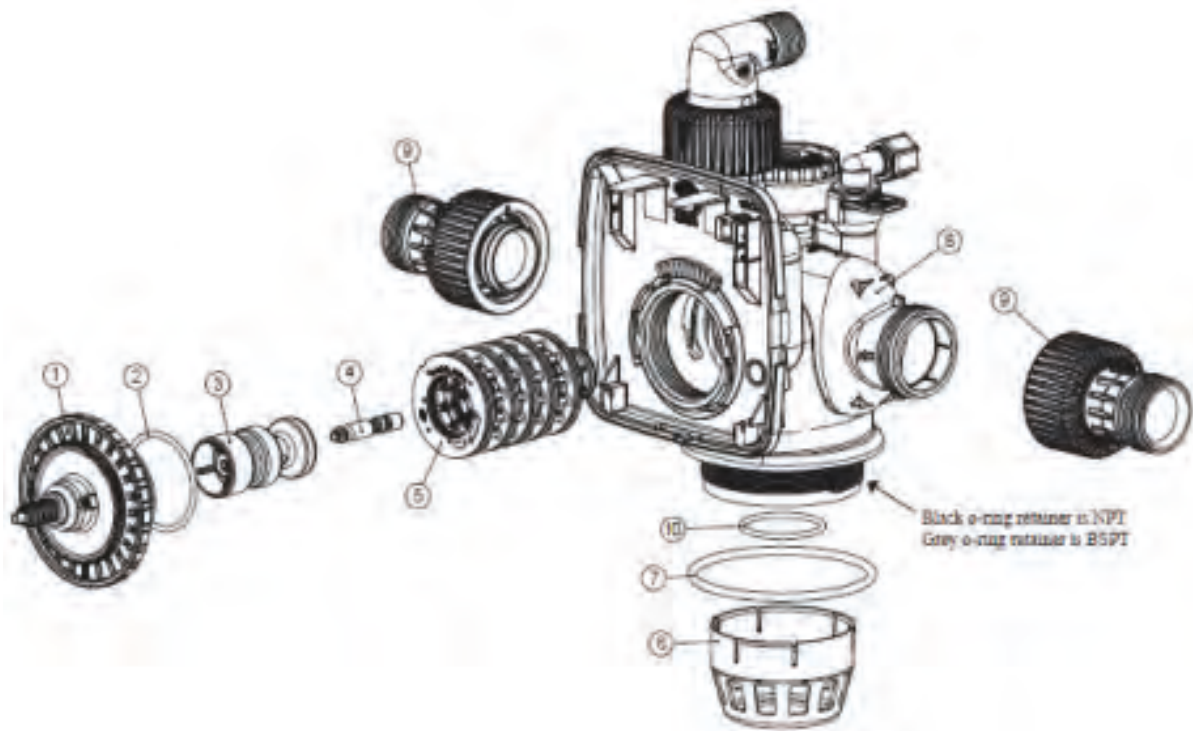
Ref.	Code	Description	€
1	V3151	WS1 Nut 1" Qc	
2	V3003	WS1 Meter Asy	
3	V3118-01	WS1 Turbine Asy	
4	V3105	O-ring 215	
5	V3003-01	WS1 Meter Plug Asy	
6	V3013	Mixing Valve	

ORDER NUMBER V3003 INCLUDES V3118-01 WSI TURBINE ASY AND V3105 O-RING

## SPARE PARTS VALVE BODY 1" 1/2 PLASTIC CI - CM

5.0

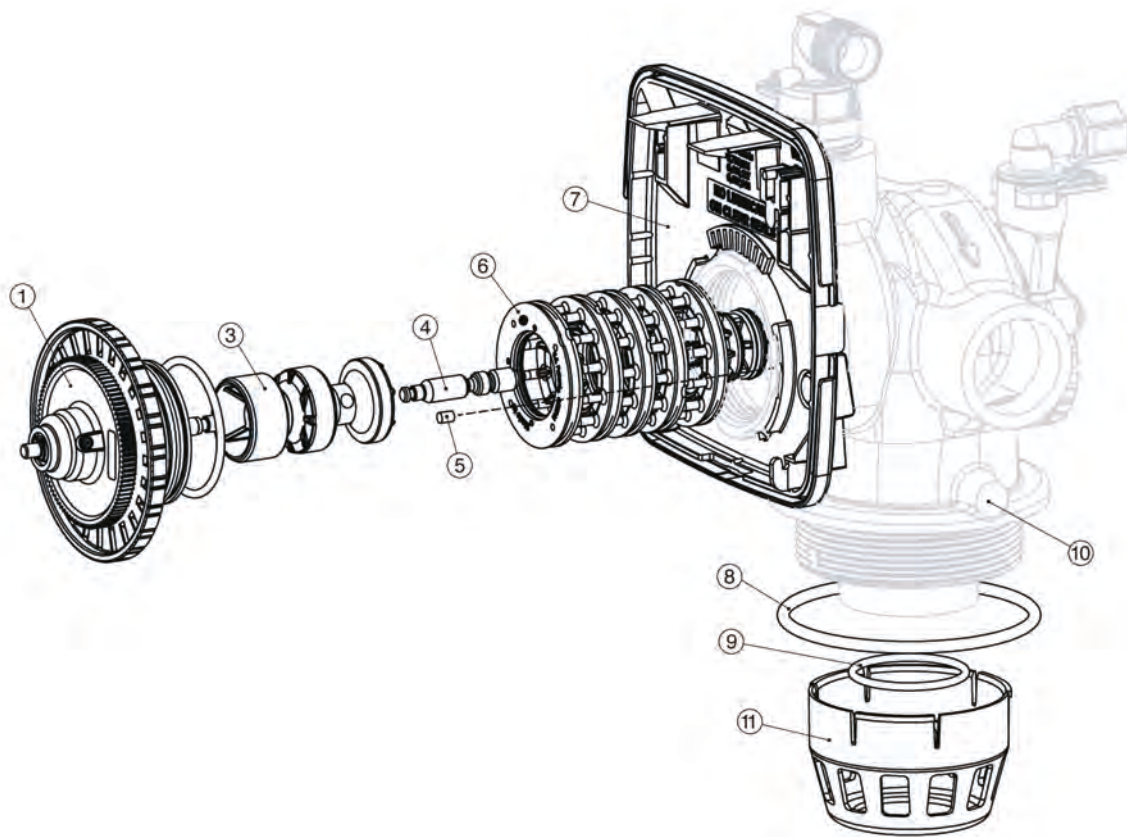
Clack valves



Ref.	Code	Description	€
1	V3004	WS1 Drive Cap Assembly	
2	V3135	O-Ring 228	
3	V3407	WS1.25/1.5 Piston Downflow Assembly (Amber In Color)	
3	V4042	WS1.25/1.5 Piston Upflow Assembly (Black In Color)	
4	V3174*	WS1 Regenerant Piston	
5	V3430	WS1.5 Backplate Dowel	
6	D1300	TOP BAFFLE DIFFUSER 1.5/55MM	
7	V3419	O-RING 347	
8	V4400-NPT	WS15P NPT BODY ASSEMBLY	
	V4400-BSPT	WS15P BSPT BODY ASSEMBLY	
9	V4430-01	WS15P FTG ASY QC TO NPT	
	V4430-02	WS15P FTG ASY QC TO BSPT	
10	V3641	O-RING 225 FOR VALVE BODIES WITH NPT THREADS	
	V3441	O-RING 226 FOR VALVE BODIES WITH BSPT THREADS	

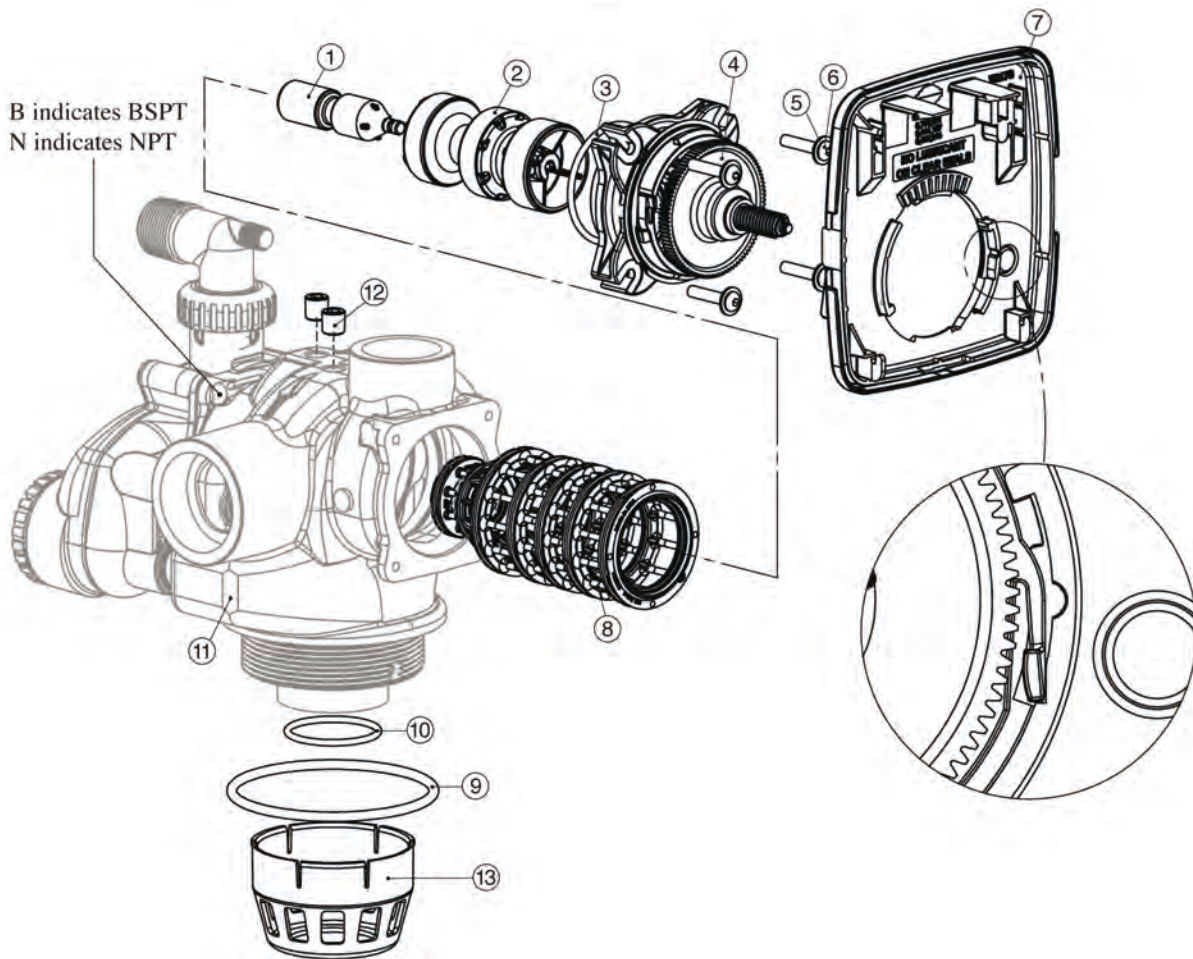
\* V3174 REGENERATING PISTON NOT USED FOR FILTER VALVES. USE BLIND INJECTOR V3010-15Z AND CAP ASSEMBLY V3195-01.

## SPARE PARTS VALVE BODY 1" 1/2 CI - CM



Ref.	Code	Description	€
1	V3004	WS1 Drive Cap Assembly	
2	V3135	O-Ring 228	
3	V3407	WS1.25/1.5 Piston Downflow Assembly (Amber In Color)	
3	V4042	WS1.25/1.5 Piston Upflow Assembly (Black In Color)	
4	V3174	WS1 Regenerant Piston	
5	V3423	WS1.5 Backplate Dowel	
6	V3430	WS1.5 Spacer Stack Assembly	
7	V3178	WS1 Drive Backplate	
8	V3419	O-Ring 347	
9	V3441	O-Ring 226 For Valve Bodies With Bspt Threads	
11	D1300	Top Baffle Diffuser, 1.5/50Mm	

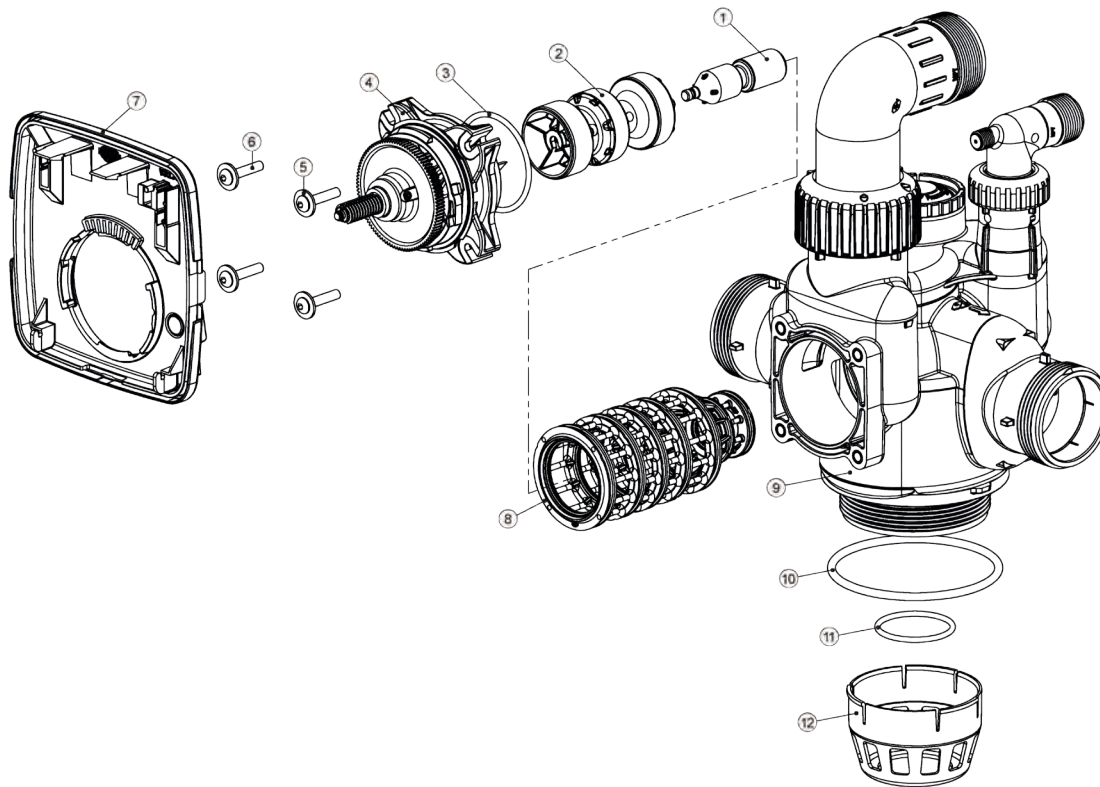
## SPARE PARTS VALVE BODY 2" CI - CM



Ref.	Code	Description	€
1	V3726	WS2 Brine Piston Assembly	
2	V3725	WS2 Piston Downflow Assembly (Amber In Color)	
2	V4059	WS2 Piston Upflow Assembly (Black In Color)	
3	V3452	O-ring 230	
4	V3728	WS2 Drive Cap Assembly	
5	V3724	Washer Flat Ss 1/4	
6	V3642	Bolt Bhcs Ss 1/4-20 X 1.25	
7	V3178	WS1 Drive Backplate	
7	V3946	WS Wide Back Plate Cm	
8	V3729	WS2 Stack Downflow Assembly (Black In Color)	
8	V3729-01	WS2 Stack Upflow Assembly (Black And Grey In)	
9	V3419	O-ring 347	
10	V3441	O-ring 226 For Valve Bodies With Bspt Threads	
13	D1300	Top Baffle Dfsr Clack 1.5/50Mm	



## 2" CI - PLT VALVE BODY SPARE PARTS



Ref.	Code	Description	€
1	V3726	WS2 BRINE PISTON ASSEMBLY	
2	V3725	WS2 PISTON DOWNFLOW ASSEMBLY (AMBER IN COLOR)	
2	V4059	WS2 PISTON UPFLOW ASSEMBLY (BLACK IN COLOR)	
3	V3452	O-RING 230	
4	V3728	WS2 DRIVE CAP ASSEMBLY	
5	V3724	WASHER FLAT SS 1/4	
6	V3642	BOLT BHCS S/S 1/4-20X1.25	
8	V3729	WS2 STACK DOWNFLOW ASSEMBLY (BLACK IN COLOR)	
8	V3729-01	WS2 STACK UPFLOW ASSEMBLY (BLACK AND GREY IN COLOR)	
9	V4800-NPT	WS2P NPT BODY ASSEMBLY ("D" NEAR INLET ARROW, BLACK DISTRIBUTOR RING)	
9	V4800-BSPT	WS2P BSPT BODY ASSEMBLY ("D" NEAR INLET ARROW, GREY DISTRIBUTOR RING)	
9	V4800UP-NPT	WS2P NPT UPFLOW BODY ASSEMBLY ("U" NEAR INLET ARROW, BLACK DISTRIBUTOR RING)	
9	V4800UP-BSPT	WS2P BSPT UPFLOW BODY ASSEMBLY ("U" NEAR INLET ARROW, GREY DISTRIBUTOR RING)	
10	V3419	O-RING 347	
11	V3641	O-RING 225 FOR NPT VALVE BODIES WITH BLACK DISTRIBUTOR RING	
11	V3441	O-RING 226 FOR BSPT VALVE BODIES WITH GREY DISTRIBUTOR RING	
12	D1300	TOP BAFFLE DFSR CLACK 1.5/50MM	

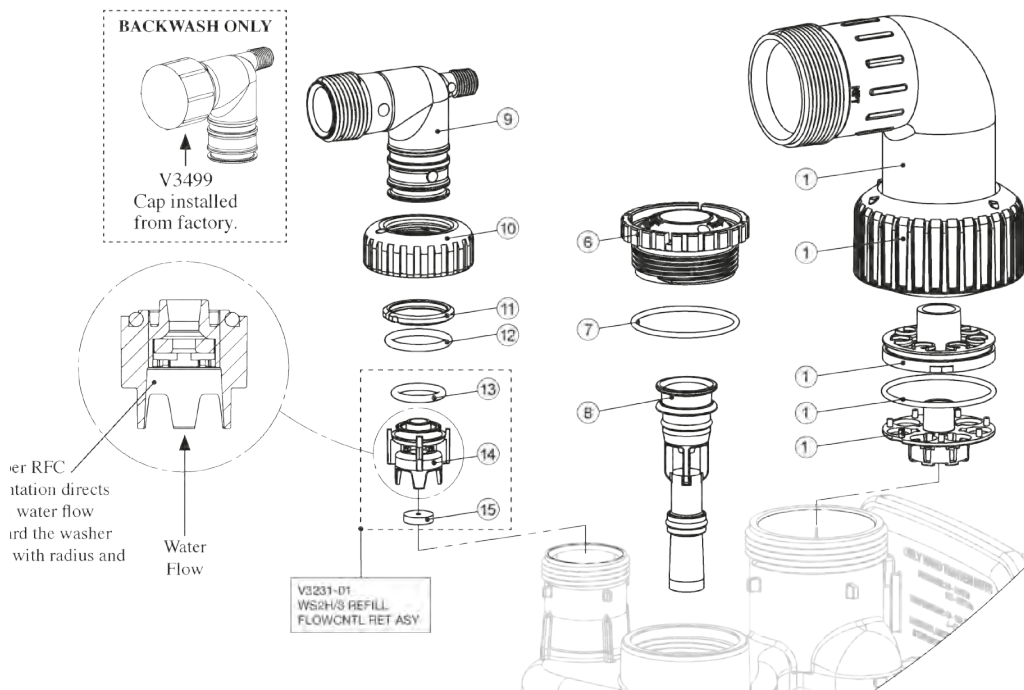
\*V3726 WS2 BRINE PISTON MUST ALSO BE USED FOR BACKWASH ONLY VALVES





## 2"CI VALVE INJECTOR SPARE PARTS

Clack valves 5.0



Ref.	Code	Description	€
1	V4460-07NPT	WS2P NPT DRAIN KIT	
1	V4460-07BSPT	WS2P BSPT DRAIN KIT	
6	V3477	WS2H INJECTOR CAP	
7	V3152	O-RING 135	
9	V3149	WS1 FTG 1 MALE NPT ELBOW	
10	V3151	WS1 NUT 1 QC	
11	V3150	WS1 SPLIT RING	
12	V3105	O-RING 215	
13	V3277	O-RING 211	
14	V3231	WS2H REFILL FLOWCNTRL RETAINER	
15	V3162-022	WS1 DLFC 022 FOR 3/4	
Not shown	V3797	WS1 FTG 1 MALE BSPT ELBOW	
Not shown	V3961	FITTING KIT WS2 1/+C546:C5582 POLYTUBE	

\*ANY V3162-XXX FLOW CONTROL MAY BE USED. WS2 VALVES ARE SHIPPED WITH A V3162-022 (2.2 GPM) FLOW CONTROL. FLOW CONTROL SIZES RANGE FROM 0.7 UP TO 10 GPM. WS2 VALVES CAN ONLY BE SET FOR MINUTES OF FILL BECAUSE VARIOUS SIZES OF FLOW CONTROLS CAN BE USED. TO CALCULATE FOR POUNDS OR KILOGRAMS OF SALT, TAKE MINUTES OF FILL TIMES THE FLOW RATE OF THE FLOW CONTROL BEING USED TO ARRIVE AT THE NUMBER OF GALLONS OF WATER BE ADDED TO THE BRINE TANK. EACH GALLON OF WATER WILL DISSOLVE APPROXIMATELY 3 POUNDS OF SALT.

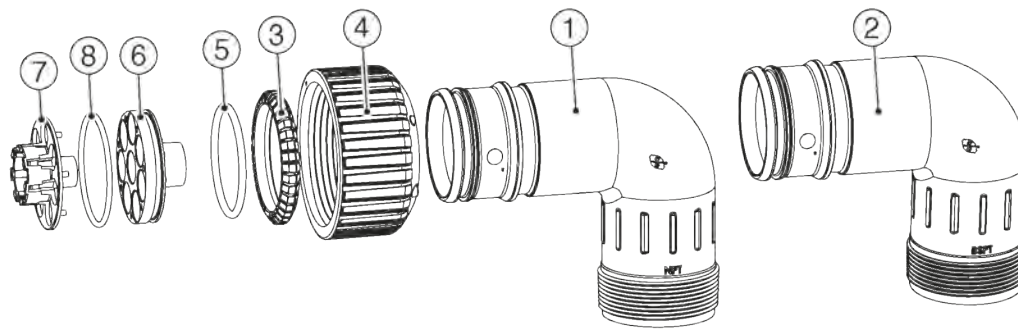
\*\* BSPT VALVES ALSO INCLUDE A V3797 WS1 FTG 1 MALE BSPT ELBOW

\*\*\*USE OF V3961 MAY SEVERELY REDUCE BRINE DRAW RATES.

BACKWASH ONLY VALVES INCLUDE A V3499 BUT DO NOT INCLUDE THE FOLLOWING PARTS: V3189, H4915, V3162-022, V3231, AND V3277.

## EXHAUST GROUP FOR 2" PLASTIC VALVE SPARE PARTS

**NEW**

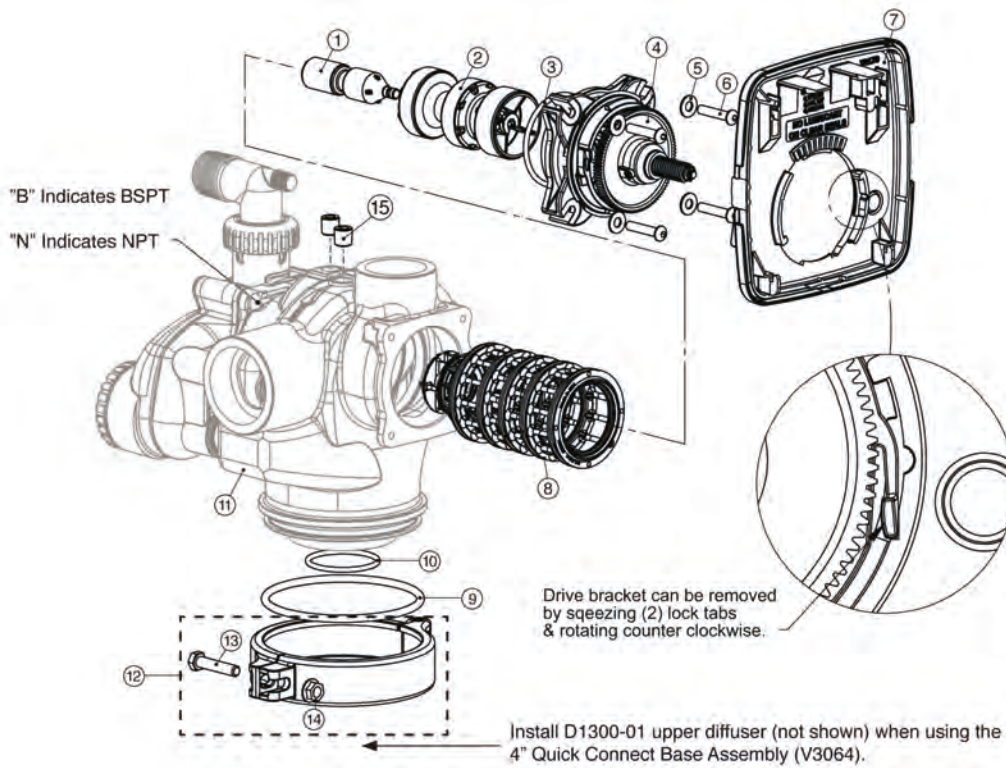


Ref.	Code	Description	€
1	V4462NPT	PLASTIC QC TO NPT ELBOW	
2	V4462BSPT	PLASTIC QC TO BSPT ELBOW	
3	V4418	WS2 QC SPLIT RING	
4	V4417	WS2 QC NUT	
5	V3441	O-RING, -226	
6	V4455	WS2 PLASTIC DLFC HOUSING	
7	V4456	WS2 PLASTIC DLFC RETAINER	
8	V3152	O-RING 137 1	

5.0

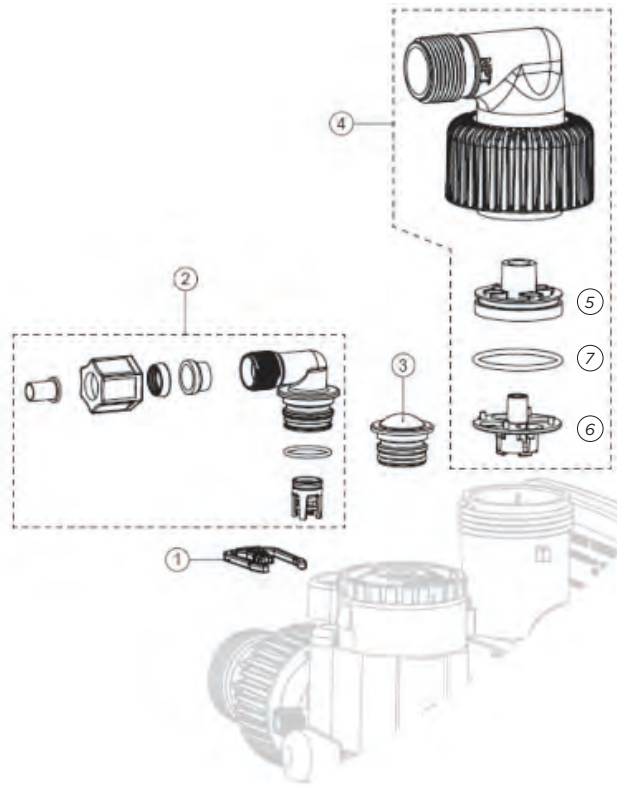
Clack valves

## SPARE PARTS VALVE BODY 2" QC CI - CM



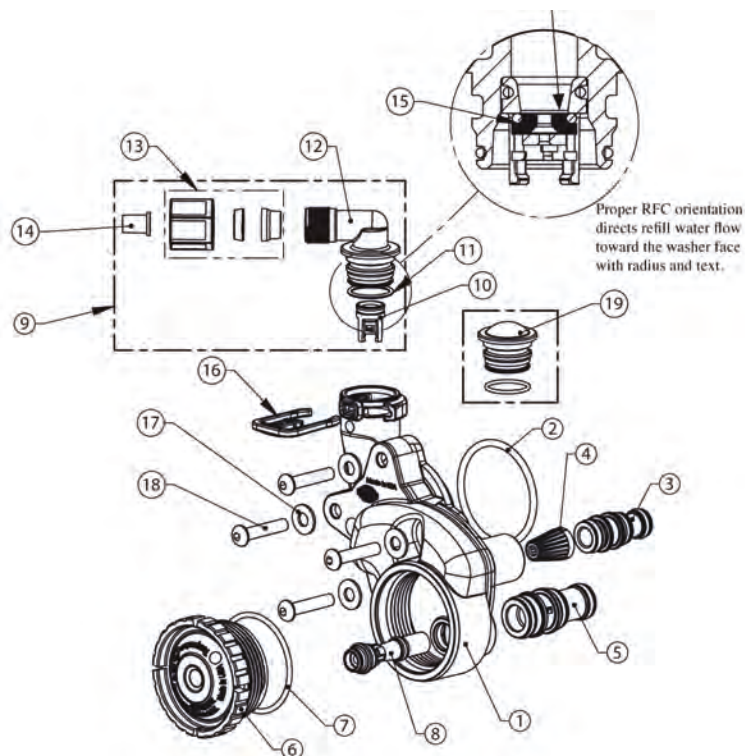
Ref.	Code	Description	€
1	V3726	WS2 Brine Piston Assembly	
1	V3054	WS2 QC/2H 4" Base Clamp Assembly	
2	V3725	WS2 Piston Assy Downflow (color amber)	
2	V4059	WS2 Piston Assembly Upflow (color black)	
3	V3452	O-Ring 230 (Drive Cap Assy)	
4	V3728	WS2 Drive Cap Assembly	
5	V3724	Washer Flat SS 1/4	
6	V3642	Bolt BHCS SS 1/4-20 x 1.25	
7	V3178	Backplate for gears for WS1CI, WS1TC & WS1.5CI	
7	V3946	WS Wide Back Plate CM	
8	V3729	WS2 Stack Assembly Downflow	
8	V3729-01	WS2 Stack Assembly Upflow (color black and gray)	
9	V3279	O-Ring 346 (WS2H Body)	
10	V3280	O-Ring 332	
	V3452	WS2 O-Ring 230	
11	V3737BSPT-01	WS2 Body QC BSPT	
12	V3054	WS2 4" base clamp assembly	
13	V3276	WS2H bolt HEX 5/16 - 18 XI-3/4	
14	V3269	WS2H nut 5/16 - 18 HEX NPT	
15	V3468	WS2H plug 1/4 - 18 SS HEX	
NS	D1300-01	Top Baffle Diffuser 2"/63mm	

## SPARE PARTS SUCTION UNIT 1" 1/2 PLASTIC CI - CM



Ref.	Code	Description	€
1	H4615	RETAINING CLIP	
2	V3498	WS15 BRINE ELBOW ASY W/RFC ½	
3	V3195-01	REFILL PORT PLUG ASY	
4	V4430-04NPT	WS15P NPT DRAIN KIT	
4	V4430-04BSPT	WS15P BSPT DRAIN KIT	
6	V4455	WS2 PLASTIC DLFC HOUSING	
7	V4456	WS2 PLASTIC DLFC RETAINER	
8	V3152	O-RING 137 1	

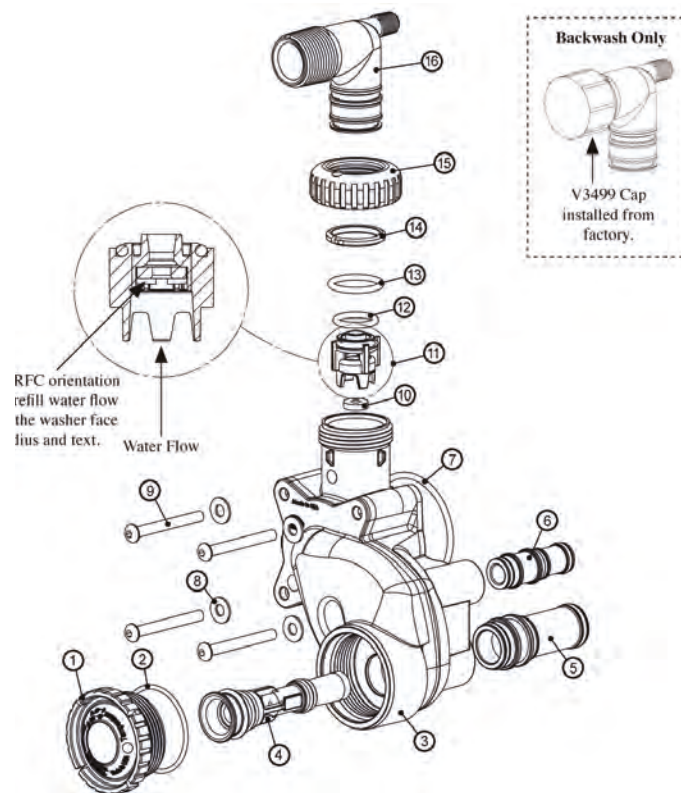
## SPARE PARTS SUCTION UNIT 1" 1/2



Ref.	Code	Description	€
1	V3967	WS1.5 injector body, welded assembly	
2	V3441	O-ring -226	
3	V3968	WS1.5 injector feed tube downflow (black)	
3	V3968-01	WS1.5 injector feed tube upflow (grey)	
4	V3177-01	WS1 injector screen	
5	V3969	WS1.5 injector draw tube downflow (black)	
5	V3969-01	WS1.5 injector draw tube upflow (grey)	
6	V3176	WS1 injector cap	
7	V3152	O-ring -135	
8	V3010-15D	Injector white for valve 1"1/2 x 14"	
8	V3010-15E	Injector blu for valve 1" 1/2 x 16"	
8	V3010-15F	Injector yellow for valve. 1) 1/2 x 18	
8	V3010-15G	Injector green for valve 1" 1/2 x 21"	
8	V3010-15H	Injector orange for valve 1"1/2 x 24"	
8	V3010-15I	WS15/21 injector assembly i x 30"	
8	V3010-15Z	Injector blind x ws1.5ci filt	
9	V3498	WS 1.5 injector refill flow control, 1/2"	
10	V3428	WS 1.5 refill retainer assembly (0.5 gpm)	
11	V3163	O-ring -019	
12	H4612	Regenerant elbow w/flow control	
13	JCPG-8PBLK	Nut, compression, 1/2" black	
14	JCP-P-8	Insert, polytube 1/2"	
15	V3182	Refill flow control (0.5 gpm)	
16	H4615	Retaining clip	
17	V3724	Washer, flat stainless steel	
18	V3642	Bolt, bhcs stainless steel 1/4-20x 1 1/4	
19	V3195-01	Refill port plug	



## 2" INTAKE UNIT SPARE PARTS

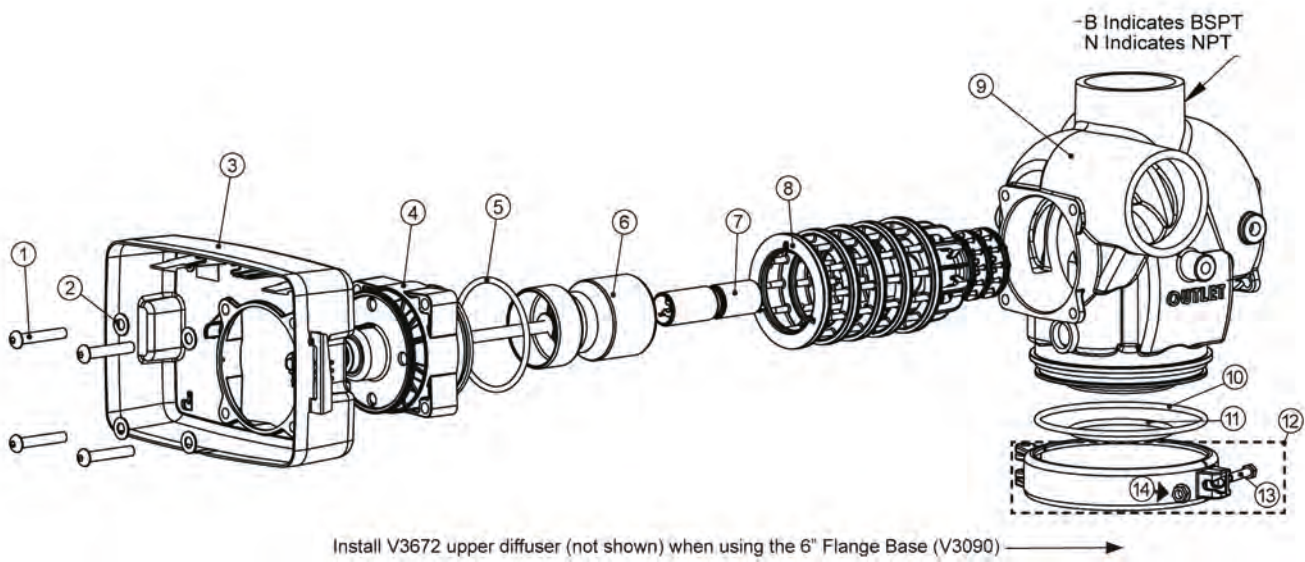


Ref.	Code	Description	€
1	V3477	WS2H/3 Injector Cap Machined	
2	V3152	Injector plug o-ring 135	
3	V3727	WS2 Injector Body Assembly	
4	V3010-2T-15D	WS2/2H/3 Injector Assembly white x 14"	
4	V3010-2U-15E	WS2/2H/3 Injector Assembly blu x 16"	
4	V3010-2A	WS2/2H/3 Injector Assembly A x 18"	
4	V3010-2B	WS2/2H/3 Injector Assembly B x 21"	
4	V3010-2C	WS2/2H/3 Injector Assembly C x 24"	
4	V3010-2D	WS2/2H/3 Injector Assembly D x 30"	
4	V3010-2E	WS2/2H/3 Injector Assembly E x 36"	
4	V3010-2F	WS2/2H/3 Injector Assembly F x 42"	
4	V3010-2G	WS2/2H/3 Injector Assembly G x 48"	
5	V3731	WS2 Injector Draw Tube Assy Downflow (color black)	
5	V3731-01	WS2 Injector Draw Tube Upflow (color gray)	
6	V3730	WS2 Injector Feed Tube Assy Downflow (color black)	
6	V3730-01	WS2 Injector Feed Tube Upflow (color gray)	
7	V3315	O-ring 231 (WS2H Injector Housing)	
8	V3724	Washer Flat SS 1/4	
9	V3643	Bolt BHCS SS 1/4" 20X2,25	
10	V3162-022	DLFC 2.2 GPM x exhaust 3/4	
11	V3231	WS2/2H/3 Refill Flow Control Retainer	
12	V3277	O-ring 211 (Refill Flow Control Assy)	
13	V3105	O-ring 215 in-out fitting	
14	V3150	In/out fitting ring	
15	V3151	WS1 Nut 1" QC	
16	V3149	WS1 Fitting 1" PVC Male NPT Elbow	

## SPARE PARTS VALVE BODY 3"

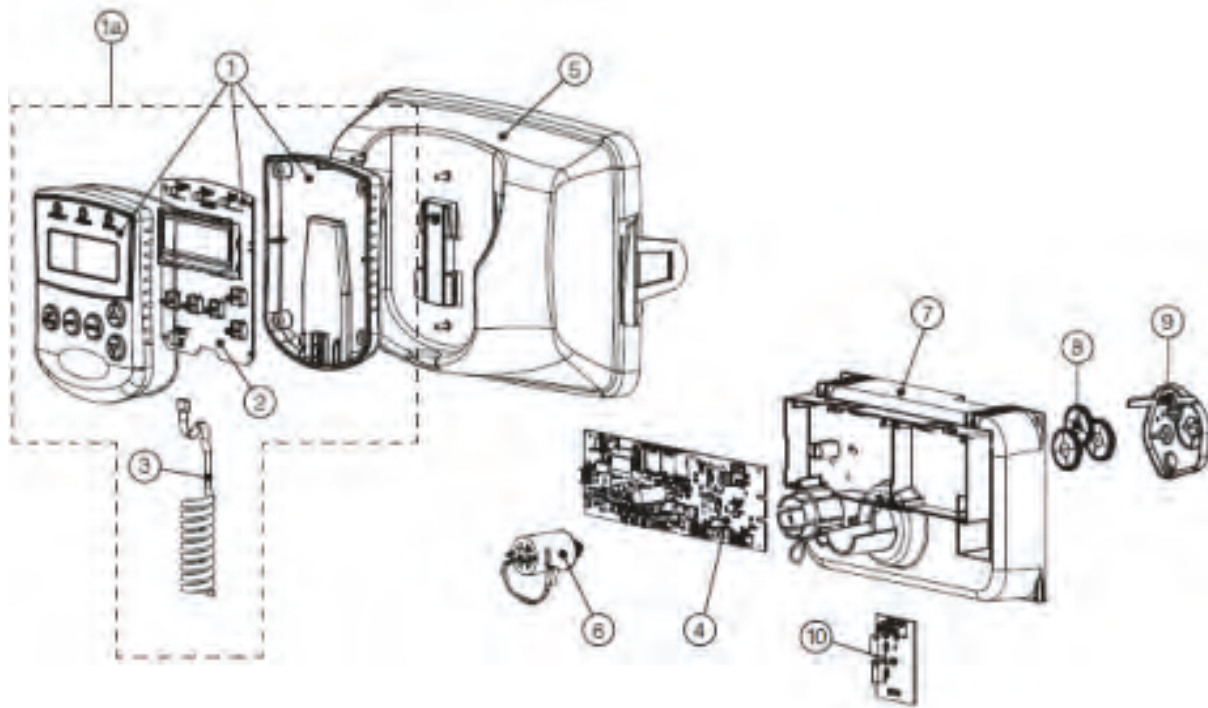
5.0

Clack valves



Ref.	Code	Description	€
1	V3274	WS2 screw BTNSKT HD SS 3/8" - 16X2	
2	V3291	WS2 Washer SS 3/8"	
3	V3225	WS2H/3 Back Plate	
4	V3093	WS3 Drive Assembly	
5	V3289	O-ring 344 (WS2H/3 Drive Cap)	
6	V3666-01	WS3 Piston	
7	V3238-01	WS2H/3 Brine Piston	
8	V3092	WS3 Stack Assembly	
9	V3667BSPT-03	WS3 BSPT body W/V3465 plug	
10	V3763	O-ring 361 (WS3 Body)	
11	V3762	O-ring 341 (For Valve Bodies W/NPT or BSPT Threads)	
12	V3091	WS3 Base Clamp Assembly	
13	V3276	WS2 bolt HEX SS 5/16"-18X1 3/4	
NS	V3672	WS3 Top Baffle Diffuser 3"/90mm	

## 3H TIMER SPARE PARTS NEW

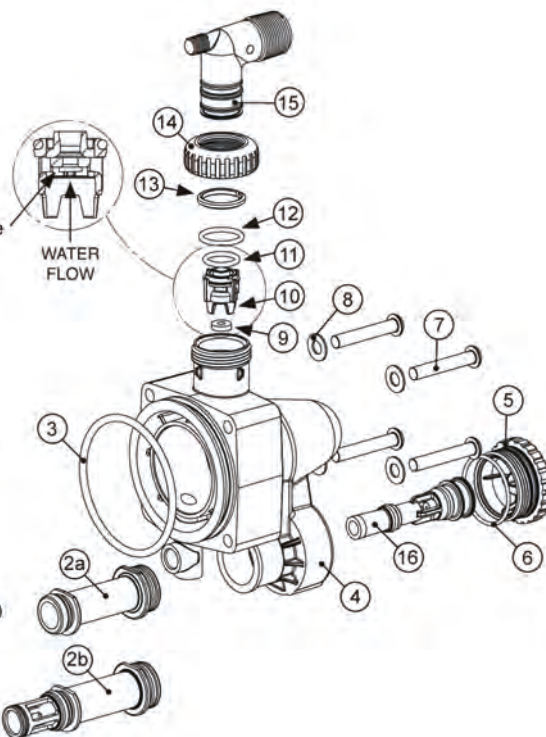


Ref.	Code	Description	€
1	V3068	WS2H/3 Pod front/back covers	
1a	V3082-01	WS2H/3 Graphics pod asy w/brd	
2	V3241-02BOARD	WS2H/3 display grph pod pcb repl	
3	V3248-01	WS2H/3 graphics pod cable	
4	V3242-03BOARD	WS2H/3 lv w/ modbus pcb repl	
5	V3224-01R	WS2H/3 Cover asy platinum	
6	V3107-01	WS1 Motor asy	
7	V3226-01	WS2H/3 Drive bracket asy	
8	V3110	WS1 Drive gear 12x36	
9	V3109	WS1 Drive gear cover	
10	V4427	WS2H/3 pcb relay exp kit	
NS	V3461-02	WS2H/3 24VDC 0.8A PWR SUPPLY	
NS	V3461EU-02	WS2H/3 24VDC 0.8A EU PWRSUPPLY	
NS	V3461UK-02	WS2H/3 24VDC 0.8A UK PWRSUPPLY	

## SUCTION UNIT SPARE PARTS 3H



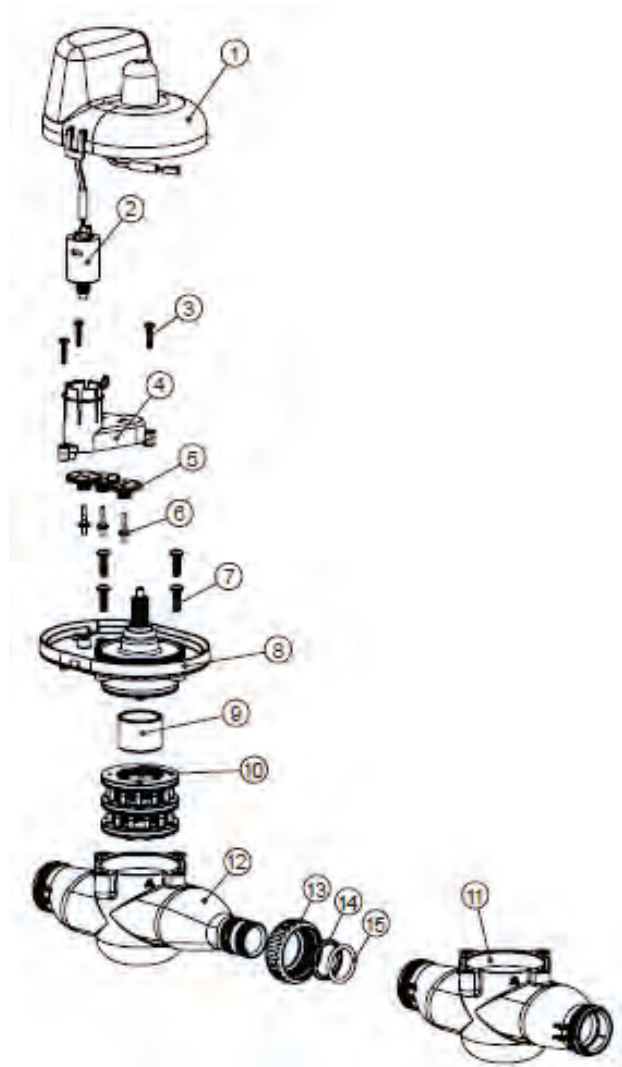
Proper RFC orientation directs refill water flow towards the washer face with radius and text.



\*\*\*V3236-01. Could be used "as is" with A-C injectors.  
Diffuser is snipped off if using D through G injectors. Order V3236-04 if using H injector.

Ref.	Code	Description	€
1	V3237-01	WS2H/3 Soft Water Fill Tube Assembly	
2a	V3236-04	WS2H Injector Tube Assembly A through H	
2b	V3670-01	WS3 Injector Tube Downflow Assembly	
3	V3289	O-ring 344	
4	V3067	WS2H/3 Brine Body Assembly	
5	V3477	WS2H/3 Injector Cap Machined	
6	V3152	Injector plug o-ring 135	
7	V3275	WS2 screw BSHD SS 3/8"-16X2 1/4"	
8	V3291	WS2 Washer SS 3/8"	
9	V3162-022	DLFC 2.2 GPM for drain 3/4	
10	V3231	WS2/2H/3 Refill Flow Control Retainer	
11	V3277	O-Ring 211 (Refill Flow Control Assy)	
12	V3105	O-Ring 215 in-out fitting	
13	V3150	In/out fitting ring	
14	V3151	Plastic ferrule in/out fitting	
15	V3149	WS1 Fitting 1" PVC Male NPT Elbow	
16	V3010-2A	WS2/2H/3 Injector Assembly A x 18"	
16	V3010-2B	WS2/2H/3 Injector Assembly B x 21"	
16	V3010-2C	WS2/2H/3 Injector Assembly C x 24"	
16	V3010-2D	WS2/2H/3 Injector Assembly D x 30"	
16	V3010-2E	WS2/2H/3 Injector Assembly E x 36"	
16	V3010-2F	WS2/2H/3 Injector Assembly F x 42"	
16	V3010-2G	WS2/2H/3 Injector Assembly G x 48"	
16	V3010-2H	WS2H/3 Injector Assembly grey H x 63"	
NS	V3189	WS1 Fitting 3/4" & 1" PVC Solvent Elbow	
NS	V3499	WS2H/3 Fitting Cap 1" Threaded	
NS	V3797	WS1 Fitting 1" PVC Male BSPT Elbow	

## SPARE PARTS 2-WAY VALVE 1" & 1.25" FF FM



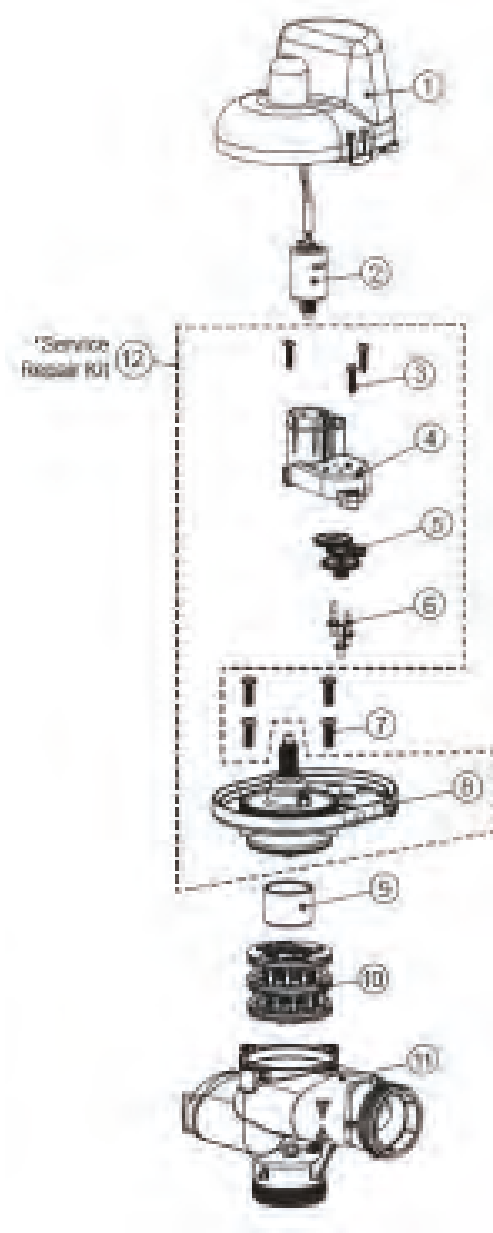
Ref.	Code	Description	€
1	V3073	MAV/NOHWBY COVER ASY	
2	V3476	WS MOTOR ASY 8 FT	
3	V3592	SCREW #8-3/4 PHPN T-25 SS	
4	V3262-01	WS1.5&2ALT/2BY REDUCGEARCV RASY	
5	V3110	WS1 DRIVE REDUCING GEAR 12X36	
6	V3264	WS2 BYPASS REDUCTION GEAR AXLE	
7	V3527	SCREW 1/4-20 X 3/4 BHSCS SS	
8	V3072	MAV/NOHWBY 1/125/15 DRIVE ASY	
9	V3506-01	MAV/NOHRD 1/125/15 PISTON	
10	V3074	MAV/NOHWBY 1/125/15 STACK ASY	
11	V3521FF	NOHRD WTR BYPASS BODY ASY F-F	
12	V3521FM	NOHRD WTR BYPASS BODY ASY F-M	
13	V3151	WS1 NUT 1 QC	
14	V3150	WS1 SPLIT RING	
15	V3105	O-RING 215	



## SPARE PARTS 2-WAY VALVE 1.5" PLASTIC

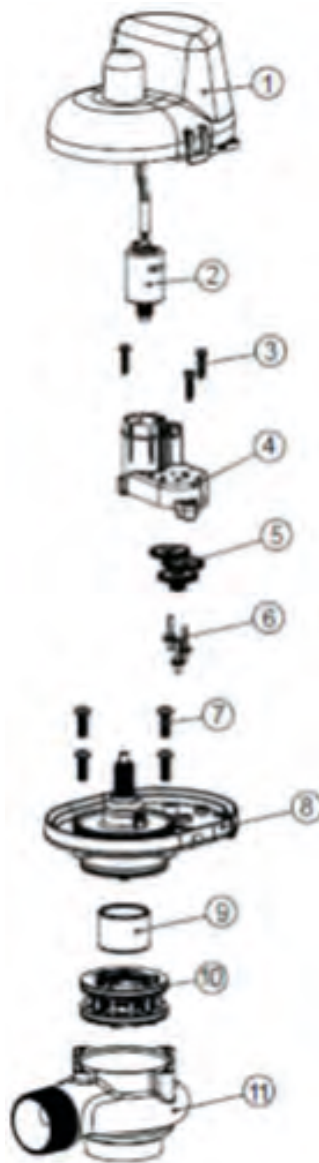
5.0

Clack valves



Ref.	Code	Description	€
1	V3073	MAV/NOHWBY COVER ASY	
2	V3476	WS MOTOR ASY 8 FT	
3	V3592	SCREW #8-1 PHPN T-25 SS	
4	V3262-01	WS REDUCTION GEAR COVER ASY	
5	V3110-01	WS1 DRIVE REDUCING GEAR PLAIN	
6	V3264	WS2 BYPASS REDUCTION GEAR AXLE	
7	V3527	SCREW 1/4-20 X 3/4 BHSCS SS 5/32" HEX ALLEN WRENCH REQUIRED	
8	V3072	MAV/NOHWBY 1/125/15 DRIVE ASY	
9	V3506-01	MAV/NOHRD 1/125/15 PISTON	
10	V3074	MAV 1/125/15 STACK ASY	
11	V4380	WS15P NHWBY BONDED BODY	
12	V3042	WS1/1.25/1.5 MAV & NHWB SERVICE PACK	
Not Shown	V3805	STRAIN RELIEF COVER KIT	

## SPARE PARTS 2-WAY VALVE 1.5"



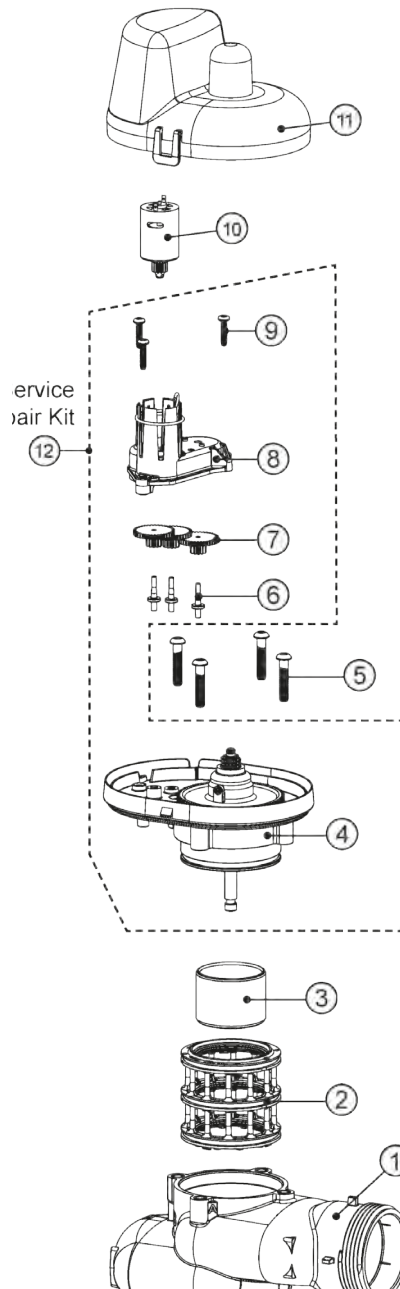
Ref.	Code	Description	€
1	V3073	MAV/NOHWBY COVER ASY	
2	V3476	WS MOTOR ASY 8 FT	
3	V3592	SCREW #8-3/4 PHPN T-25 SS	
4	V3262-01	WS1.5&2ALT/2BY REDUCGEARCVRASY	
5	V3110-01	WS1 DRIVE REDUCING GEAR PLAIN	
6	V3264	WS2 BYPASS REDUCTION GEAR AXLE	
7	V3527	SCREW 1/4-20 X 3/4 BHSCS SS 5/32" HEX ALLEN WRENCH REQUIRED)	
8	V3072	MAV/NOHWBY 1/125/15 DRIVE ASY	
9	V3506-01	MAV/NOHRD 1/125/15 PISTON	
10	V3886	WS15 NHWBY STACK ASY	
11	V3832BSPT-01	WS15 NHWBY BODY M X F BSPT	
Not Shown	V3805	STRAIN RELIEF COVER KIT	

## SPARE PARTS 2-WAY VALVE 2"



Ref.	Code	Description	€
1	V3073	MAV/NOHWBY COVER ASY	
2	V3476	WS MOTOR ASY 8 FT	
3	V3592	SCREW #8-3/4 PHPN T-25 SS	
4	V3262-01	WS1.5&2ALT/2BY REDUCGEARCVASY	
5	V3110-01	WS1 DRIVE REDUCING GEAR PLAIN	
6	V3264	WS2 BYPASS REDUCTION GEAR AXLE	
7	V3642	SCREW 1/4-20 X 1 1/4 BHSCS SS (5/32" HEX ALLEN WRENCH REQUIRED)	
8	V3078	MAV/NOHWBY 2 DRIVE ASY	
9	V3634-01	MAV/NOHWBY 2 PISTON	
10	V3887	WS2 NHWBY STACK ASY	
11	V3828BSPT-01	WS2 NHWBY BODY M X F BSPT	
Not Shown	V3805	STRAIN RELIEF COVER KIT	

## 2-WAY VALVE 2" PLT SPARE PARTS

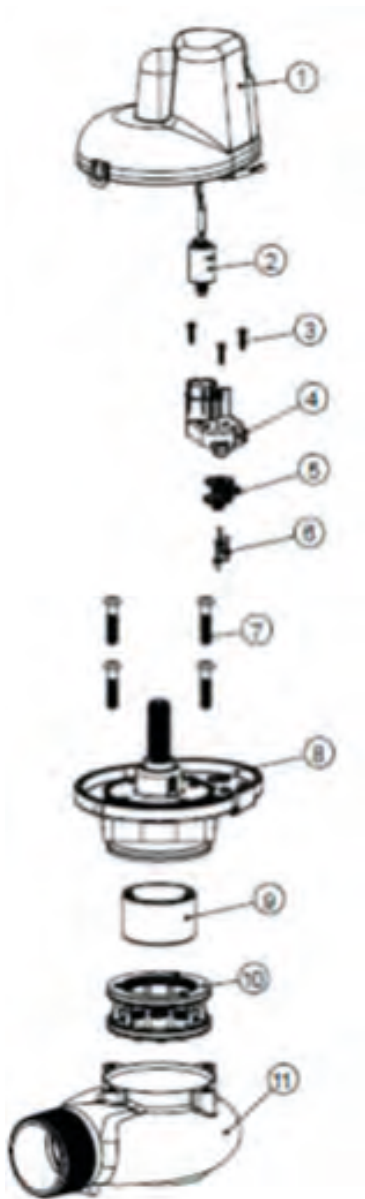


Ref.	Code	Description	€
1	V4479	WS2 PLASTIC NHWBY BODY ASSY	
2	V3077	WS2 MAV STACK ASSEMBLY	
3	V3634-01	WS2 MAV, STRAIGHT PISTON, COATED	
4	V3078	WS2 MAV/NHWBP DRIVE CAP ASSY	
5	V3642	1/4-20 x 1.25 BHCS	
6	V3264	WS2 BYPASS REDUCTION GEAR AXEL	
7	V3110	WS1 DRIVE GEAR 12X36 PLAIN	
8	V3262	WS AUX VALVE REDUCTION GEAR COVER	
9	V3592	#8 X 3/4, PHPN T-25, SS	
10	V3476	WS DRIVE MOTOR, FERRITE CORE HARNESS, 96"	
11	V3073	DRIVE COVER ASSEMBLY	
12	V3043	WS2 MAV & NHWB SERVICE PACK	

## SPARE PARTS 2-WAY VALVE 3"

5.0

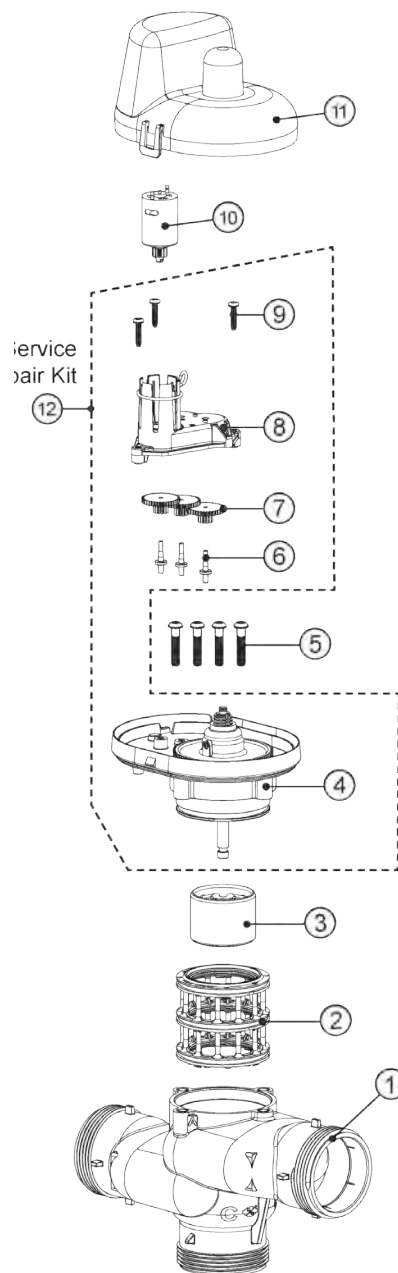
Clack valves



Ref.	Code	Description	€
1	V3696	WS3 MAV COVER	
2	V3476	WS MOTOR ASY 8 FT	
3	V3592	SCREW #8-3/4 PHPN T-25 SS	
4	V3262-01	WS 1.5&2ALT/2BY REDUCGEARCVRAS	
5	V3110-01	WS1 DRIVE REDUCING GEAR PLAIN	
6	V3264	WS2 BYPASS REDUCTION GEAR AXLE	
7	V3789	SCREW 3/8-16 X 1.75 BHCS SS (7/32" hex allen wrench required)	
8	V3085	WS3 MAV DRIVE CAP ASY	
9	V3695-01	WS3 MAV PISTON	
10	V3888	WS3 NHWBY STACK ASY	
11	V3830BSPT-01	WS3 NHWBY M X F BODY BSPT	

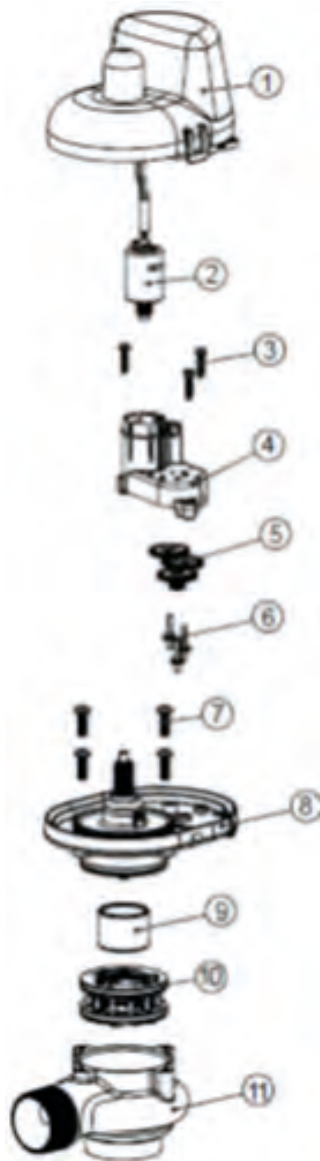


## 2" PLT 3-WAY VALVE SPARE PARTS



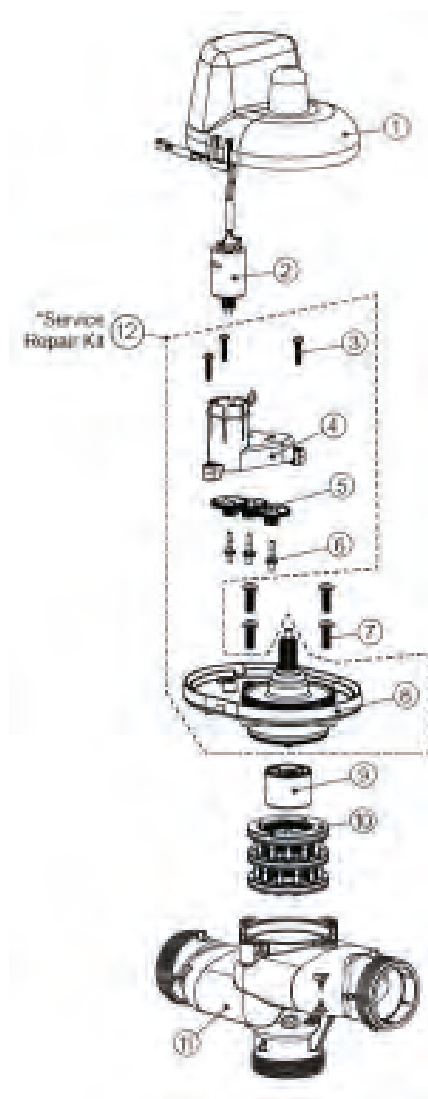
Ref.	Code	Description	€
1	V4474	WS2 PLASTIC MAV BODY ASSY	
2	V3077	WS2 MAV STACK ASSEMBLY	
3	V3634-01	WS2 MAV, STRAIGHT PISTON, COATED	
4	V3078	WS2 MAV/NHWBP DRIVE CAP ASSY	
5	V3642	1/4-20 x 1.25 BHCS	
6	V3264	WS2 BYPASS REDUCTION GEAR AXEL	
7	V3110	WS1 DRIVE GEAR 12X36 PLAIN	
8	V3262	WS AUX VALVE REDUCTION GEAR COVER	
9	V3592	#8 X 3/4, PHPN T-25, SS	
10	V3476	WS DRIVE MOTOR, FERRITE CORE HARNESS, 96"	
11	V3073	DRIVE COVER ASSEMBLY	
*12	V3043	WS2 MAV & NHWB SERVICE PACK	
NOT SHOWN	V3474	WS ALT CONNECT CORD 8FT BLK	

## SPARE PARTS 3-WAY VALVE 1" & 1.25" FF MM



Ref.	Code	Description	€
1	V3073	MAV/NOHWBY COVER ASY	
2	V3476	WS MOTOR ASY 8 FT	
3	V3592	SCREW #8-3/4 PHPN T-25 SS	
4	V3262-01	WS1.5&2ALT/2BY REDUCGEARCV RASY	
5	V3110-01	WS1 DRIVE REDUCING GEAR PLAIN	
6	V3264	WS2 BYPASS REDUCTION GEAR AXLE	
7	V3527	SCREW 1/4-20 X 3/4 BHSCS SS	
8	V3072	MAV/NOHWBY 1/125/15 DRIVE ASY	
9	V3506-01	MAV/NOHRD 1/125/15 PISTON	
10	V3074	MAV/NOHWBY 1/125/15 STACK ASY	
11	V3504FF	MAV BODY 1/125 ASY F-F	
12	V3504MM	MAV BODY 1/125 ASY M-M	
13	V3151	WS1 NUT 1 QC	
14	V3150	WS1 SPLIT RING	
15	V3105	O-RING 215	
Not Shown	V3474	WS ALT MAV 1/125 CORD 8FT BLK	

## SPARE PARTS 3-WAY VALVE 1.5" PLASTIC

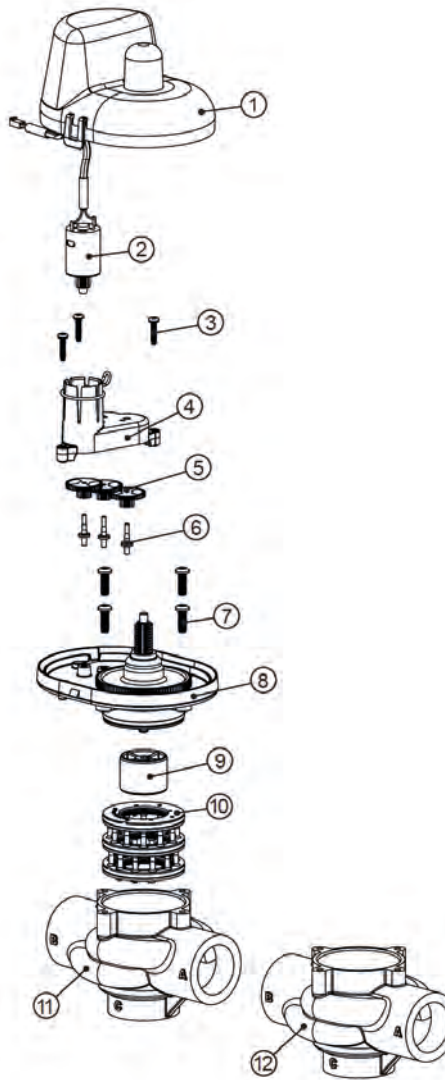


Ref.	Code	Description	€
1	V3073	MAV/NOHWBY COVER ASY	
2	V3476	WS MOTOR ASY 8 FT	
3	V3592	SCREW #8-1 PHPN T-25 SS	
4	V3262-01	WS REDUCTION GEAR COVER ASY	
5	V3110-01	WS1 DRIVE REDUCING GEAR PLAIN	
6	V3264	WS2 BYPASS REDUCTION GEAR AXLE	
7	V3527	SCREW 1/4-20 X 1 BHSCS SS (5/32" HEX ALLEN WRENCH REQUIRED)	
8	V3072	MAV/NOHWBY 1/125/15 DRIVE ASY	
9	V3506-01	MAV/NOHRD 1/125/15 PISTON	
10	V3074	MAV 1/125/15 STACK ASY	
11	V4368	WS1.5P MAV BONDED BODY	
12	V3042	WS1/1.25/1.5 MAV & NHWB SERVICE PACK	
NS	V3474	WS ALT CONNECT CORD 8FT BLK	

## SPARE PARTS 3-WAY VALVE 1.5" 3H

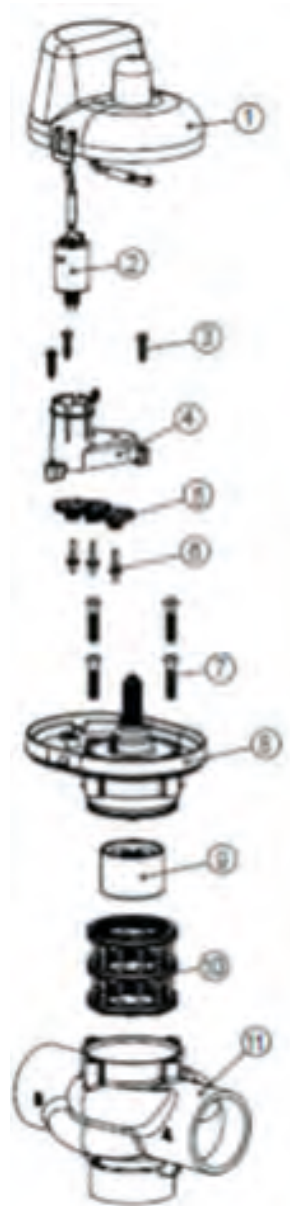
5.0

Clack valves



Ref.	Code	Description	€
1	V3073	MAV/NOHWBY COVER ASY	
2	V3476	WS MOTOR ASY 8 FT	
3	V3592	SCREW #8-3/4 PHPN T-25 SS	
4	V3262-01	WS1.5&2ALT/2BY REDUCGEARCVASY	
5	V3110-01	WS1 DRIVE REDUCING GEAR PLAIN	
6	V3264	WS2 BYPASS REDUCTION GEAR AXLE	
7	V3527	SCREW 1/4-20 X 3/4 BHSCS SS	
8	V3072	MAV/NOHWBY 1/125/15 DRIVE ASY	
9	V3506-01	MAV/NOHRD 1/125/15 PISTON	
10	V3074	MAV/NOHWBY 1/125/15 STACK ASY	
12	V3525BSPT-01	MAV BODY 1.5 BSPT	
Not Shown	V3474	WS ALT CONNECT CORD 8FT BLK	

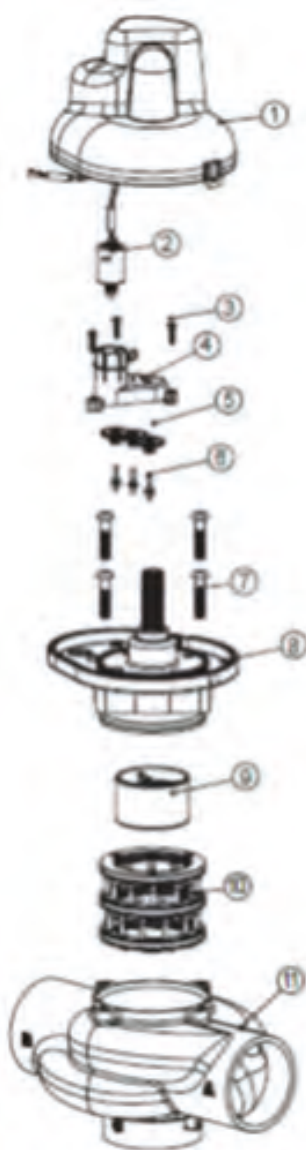
## SPARE PARTS 3-WAY VALVE 2"



Ref.	Code	Description	€
1	V3073	MAV/NOHWBY COVER ASY	
2	V3476	WS MOTOR ASY 8 FT	
3	V3592	SCREW #8-3/4 PHPN T-25 SS	
4	V3262-01	WS1.5&2ALT/2BY REDUCGEARCVRAS	
5	V3110-01	WS1 DRIVE REDUCING GEAR PLAIN	
6	V3264	WS2 BYPASS REDUCTION GEAR AXLE	
7	V3527	SCREW 1/4-20 X 3/4 BHSCS SS	
8	V3078	MAV/NOHWBY 2 DRIVE ASY	
9	V3634-01	MAV/NOHWBY 2 PISTON	
10	V3077	MAV/NOHWBY 2 STACK ASY	
11	V3633BSPT-01	WS2 MAV BODY BSPT	
Not Shown	V3474	WS ALT CONNECT CORD 8FT BLK	



## SPARE PARTS 3-WAY VALVE 3"



Ref.	Code	Description	€
1	V3696	WS3 COVER ASY	
2	V3476	WS MOTOR ASY 8 FT	
3	V3592	SCREW #8-3/4 PHPN T-25 SS	
4	V3262-01	WS1.5,2,3 REDUCGEARCVRAS	
5	V3110-01	WS DRIVE REDUCING GEAR PLAIN	
6	V3264	WS BYPASS REDUCTION GEAR AXLE	
7	V3789	SCREW 3/8-16 x 1 3/4 BHSCS SS 7/32" hex allen wrench required)	
8	V3085	WS3 MAV DRIVE CAP	
9	V3695-01	MAV/3" PISTON	
10	V3084	MAV/STACK ASY 3"	
11	V3693BSPT-01	WS3 MAV BODY BSPT	
Not Shown	V3474	WS ALT CONNECT CORD 8FT BLK	

## ADJUSTMENT TABLE FOR SOFTENERS

### WS1 & WS1.25 Twin Injectors **DOWN FLOW**

Tank Diameter Downflow	Injector	Injector Color
6"	V3010-1A	Black
7"	V3010-1B	Brown
8"	V3010-1C	Violet
9"	V3010-1D	Red
10"	V3010-1E	White
12"	V3010-1F	Blue
13"	V3010-1G	Yellow
14"	V3010-1H	Green
16"	V3010-1I	Orange
18"	V3010-1J	Light Blue
21"	V3010-1K	Light Green

### WS1.5 Injectors **DOWN FLOW**

Tank Diameter Downflow	Injector	Injector Color
14"	V3010-15D	White
16"	V3010-15E	Blue
18"	V3010-15F	Yellow
21"	V3010-15G	Green
24"	V3010-15H	Orange
30"	V3010-15H	Orange

### WS2 & WS2 QC Injectors **DOWN FLOW**

Tank Diameter Downflow	Injector	Injector Color
12"	V3010-2R-15B	Violet
13"	V3010-2S-15C	Red
14"	V3010-2T-15D	White
16"	V3010-2U-15E	Blue
18"	V3010-2A	Black
21"	V3010-2B	Black
24"	V3010-2C	Black
30"	V3010-2D	Black
36"	V3010-2E	Black
42"	V3010-2F	Black
48"	V3010-2G	Black

### WS3 Injectors **DOWN FLOW**

Tank Diameter Downflow	Injector	Injector Color
18"	V3010-2A	Black
21"	V3010-2B	Black
24"	V3010-2C	Black
30"	V3010-2D	Black
36"	V3010-2E	Black
42"	V3010-2F	Black
48"	V3010-2G	Black
63"	V3010-2H	GREY (Machined)

## ADJUSTMENT TABLE FOR FILTERS

Tank Diameter	DLFC GPM
6"	1
7"	1,3
8"	1,7
9"	2,2
10"	2,7
12"	3,2
13"	14,2
14"	5,3
16"	7,5
18"	9
21"	10
24	17
30"	25
36"	35
42"	50
48"	70
63"	100

Tank Diameter	DLFC GPM
6"	2,2
7"	2,7
8"	3,2
9"	4,2
10"	5,3
12"	7,5
13"	9
14"	11
16"	17
18"	20
21"	25
24	35
30"	50
36"	75
42"	110
48"	150
63"	220

**FOR VALUES FROM 35 TO 220 COMBINE MULTIPLE DLFCs (ES 50=25+7.5+7.5+10)**

V3162-007	DLFC 0.7 GPM for 3/4 exhaust
V3162-010	DLFC 1.0 GPM for 3/4 exhaust
V3162-013	DLFC 1.3 GPM for 3/4 drain
V3162-017	DLFC 1.7 GPM for 3/4 exhaust
V3162-022	DLFC 2.2 GPM for 3/4 drain
V3162-027	DLFC 2.7 GPM for 3/4 drain
V3162-032	DLFC 3.2 GPM for 3/4 drain
V3162-042	DLFC 4.2 GPM for 3/4 drain
V3162-053	DLFC 5.3 GPM for 3/4 drain
V3162-065	DLFC 6.5 GPM for 3/4 drain
V3162-075	DLFC 7.5 GPM for 3/4 drain
V3162-090	DLFC 9.0 GPM for 3/4 drain
V3162-100	DLFC 10.0 GPM for 3/4 drain
V3190-090	DLFC 9.0 GPM for 1" exhaust
V3190-100	DLFC 10.0 GPM for 1" exhaust
V3190-110	DLFC 11.0 GPM for 1" exhaust
V3190-130	DLFC 13.0 GPM for 1" exhaust
V3190-150	DLFC 15.0 GPM for 1" exhaust
V3190-170	DLFC 17.0 GPM for 1" exhaust
V3190-200	DLFC 20.0 GPM for 1" exhaust
V3190-250	DLFC 25.0 GPM for 1" exhaust

## ADJUSTMENT TABLE FOR FILTERS

CODE	DESCRIPTION
V2428	BLFC holder cage for 1" 1/2 valve
V3000	Clack display box
V3000A	Adhesive plate for remote Clack
V3000B	WSICI remote card
V3001	WSI Body Assembly (Downflow)
V3001-02	WSI Mixing Valve Body Assembly
V3001-02UP	WSI Mixing Valve Body Upflow Assembly
V3001UP	WSI Body Upflow Assembly
V3002-A	WSI Drive bracket asy no motor
V3003	Counter kit
V3003-01	Meter cap kit
V3003-05	WSI Meter Assembly
V3004	Piston control gear
V3005	O-ring and spacer kits
V3006	By-pass for Clack valve
V3007	1" male NPT elbow fitting kit
V3007-06	1" male BSP straight fitting kit
V3007-07	1 1/4" straight female connection fitting kit
V3007-08	1" 1/4 M straight fitting kit for WSICI & WSITC valves
V3007-14	Straight IN/OUT 3/4" M fitting kit
V3007-16	1" male BSPT elbow fitting kit
V3008-02	Complete 1" drain fitting
V3008-04	WSI Drain Fitting 1" Straight w/o Silencer
V3008-05	Complete 1" exhaust fitting for WS2CI valve
V3009	Microswitch kit for WSI/1.25/1.5
V3010-15D	White injector for valve 1" 1/2
V3010-15E	Blue injector for valve. 1" 1/2
V3010-15F	Yellow injector for valve 1" 1/2
V3010-15G	Green injector for valve 1" 1/2
V3010-15H	Orange injector for 1" 1/2 valve
V3010-15Z	Blind injector for WSI.5CI filt
V3010-1A	BLACK injector 6" tank
V3010-1B	BROWN injector 7" tank
V3010-1C	PURPLE injector 8" tank
V3010-1D	RED injector 9" tank
V3010-1E	WHITE injector 10" tank
V3010-1F	BLUE Injector 12" Tank
V3010-1G	YELLOW injector 13" tank
V3010-1H	GREEN injector 14" tank
V3010-1I	ORANGE injector 16" tank
V3010-1J	BLUE 18" tank injector
V3010-1K	LIGHT GREEN injector 21 & 22" tank
V3010-1Z	Injector cap
V3010-2A	WS2 Injector assembly A 18" softener
V3010-2B	WS2 Injector assembly B 21" softener
V3010-2C	WS2 Injector assembly C 24" softener
V3010-2D	WS2 Injector assembly D 30" softener
V3010-2E	WS2 Injector assembly AND 36" softener
V3010-2F	WS2 Injector assembly F 42" softener
V3010-2G	WS2 Injector assembly G 48" softener

CODE	DESCRIPTION
V3010-2H	WS2 Injector assembly H 63" softener
V3010-2R-15B	WS2/2H Injector Assembly viola x 12"
V3010-2S-15C	WS2/2H Injector Assembly rosso x 13"
V3010-2T-15D	WS2/2H Injector Assembly bianco x 14"
V3010-2U-15E	WS2/2H Injector Assembly blu x 16"
V3011	Pistone equicorrente
V3011-01	Kit pistone controcorrente
V3013	Valvola miscelatrice
V3014	Kit microswitch completo di cavo per WSI/1.25/1.5
V3017	Kit microswitch per WS2
V3020-03	WSI25 Mixing Valve Body Assemb (32mm Distributor)
V3022	WSI Estrattore per spaziatori
V3022-15	WSI.25/1.5 Estrattore per spaziatori
V3030-01	Centralina comando multi valvola
V3031	T1 Body Shaft Water Regen per Clack Twin
V3034	Valvola motorizzata 3 vie 1.5" in plastica
V3035	Valvola motorizzata 2 vie PLT no by-pass valvola WSI.5PCI
V3036	Valvola motorizzata 3 vie 2" in plastica
V3037	Valvola motorizzata 2 vie 2" in plastica no by-pass
V3039	Contatore in linea 1" in plastica
V3039-15	Contatore in linea 1" in plastica cavo L 4.5 mt
V3040BSPT	Contatore 1" 1/2 MF cavo STD per WSI.5CI
V3040BSPT-15	Contatore 1" 1/2 MF cavo L. 4,5 metri per WSI.5CI
V3045BSPT	Contatore in linea 1" 1/2 in plastica
V3045BSPT-15	Contatore in linea 1" 1/2 in plastica cavo L4.5 mt
V3045QC	Contatore attacco QC 1" 1/2 in plastica cavo 70 cm
V3045QC-15	Contatore attacco QC 1" 1/2 in plastica cavo L4.5 mt
V3048BSPT	Contatore plt 2" per WS2P
V3048BSPT-15	Contatore plt 2" per WS2P cavo L4,5 mt
V3048QC	Contatore PLT QC-QC per WS2P
V3048QC-15	Contatore PLT QC-QC per WS2P cavo L4,5 mt
V3050BSPT	Contatore 2" cavo 70 cm per WS2CI Vedi V3094BSPT
V3051BSPT	Raccordo scarico 2" BSPT per valvole WS2CI e WS3
V3052	WS2 DLFC Retainer assembly
V3053	WS2 2-1/2" Groove lock clamp assembly
V3054	WS2 4" base clamp assembly
V3055	WS2H/2QC Adattatore per montaggio Top - flangia 6"
V3056	WSI.5 WS2 Alternator WS2 By-pass Auto drive assembl
V3057	WS WS2 By-pass Auto drive assembl
V3058	WS2 Manual Drive assembly
V3059	WSI.5 WS2 alternator WS2 By-pass automatic drive assembl
V3060	By-pass motorizzato per valvola WS2
V3061	By-pass manuale per valvola WS2
V3062BSPT	Valvola motorizzata 3 vie 1" 1/2
V3063BSPT	Valvola motorizzata 3 vie 2"
V3064	WS2H/2L 4" Inc Base Asy



CODE	DESCRIPTION
V3065	WS2 Spacer Stack assembly
V3066	WS2 Drive assembly
V3067	WS2 Brine Body assembly
V3068	WS2 Pod assembly
V3069FF	Motor alternating Valve 1/125 F-F
V3069MM	3-way motorized valve 1" - 1"1/4
V3070FF	Motorized closing valve for 2-way use FF
V3070FM	Motorized closing valve for 2-way use
V3071BSPT	1.5" 3-way motorized valve
V3072	Drive mav WS/1.25/1.5
V3073	Cover mav WS1/1.25/1.5/2
V3074	Stack mav WS1/1.25/1.5
V3076BSPT	Motor alternating valve 2 BSPT REV 2
V3077	WS2 mav stack
V3078	Drive mav WS2
V3079BSPT	1"1/4 BSPT exhaust fitting for WS1.5 valves
V3080BSPT	1"1/2 exhaust fitting for WS2CI and WS3 valves
V3082	WS2H/3 pod assy complete w/buoy w/board
V3082-01	WS2H/3 GRAPHICS POD ASY W/BRD
V3083BSPT	3-way 3" motorized valve
V3084	Satck mav WS3
V3085	Drive mav WS3
V3090	WS3 Top mounting adapter - 6" flange
V3091	WS3 Base Clamp Assembly
V3092	WS3 stack asy
V3093	WS3 drive asy
V3094BSPT	Meter 2" MF STD cable for WS2CI
V3094BSPT-15	2" MF meter cable L. 4.5 meters for WS2CI
V3095BSPT	Meter 3" MF STD cable for WS3
V3095BSPT-15	3" MF meter with 4.5 m cable. for WS3
V3097BSPT	Two-way motorized valve without by-pass for WS1.5CI valve
V3098BSPT	Two-way motorized valve without by-pass for WS2CI valve
V3099BSPT	Two-way motorized valve without by-pass for WS3 valve
V3105	o-ring 215 in-out fitting
V3107-01	Clack valve motor
V3107-24	WS2H/3 motor assy
V3108CI-03BOARD	Clack board for WS1CI/WS1.25CI/WS1.5CI/WS2CI valve
V3108CI-07BOARD	Clack board for WS1CI/WS1.25CI/WS1.5CI/WS2CI valve
V3109	Transmission gear cover
V3110	Transmission gear with mirrors
V3113	WS1-2 motor fixing clip
V3114TC-4DIGIT	4 digit cover sticker for WS1TC
V3118-01	WS1 turbine assembly
V3135	O.RING 228
V3149	WS1 fitting 1" PVC Male NPT elbow
V3150	Connecting sealing ring, in/out
V3151	Plastic ring nut for in/out connection
V3152	Injector cap O-ring 135
V3155	O-ring 112

CODE	DESCRIPTION
V3158-01	3/4" Drain Connection
V3159-01	DLFC cage for 3/4" drain connection
V3162-007	DLFC 0.7 GPM for 3/4 exhaust
V3162-010	DLFC 1.0 GPM for 3/4 drain
V3162-013	DLFC 1.3 GPM for 3/4 drain
V3162-017	DLFC 1.7 GPM for 3/4 exhaust
V3162-022	DLFC 2.2 GPM for 3/4 drain
V3162-027	DLFC 2.7 GPM for 3/4 drain
V3162-032	DLFC 3.2 GPM for 3/4 drain
V3162-042	DLFC 4.2 GPM for 3/4 drain
V3162-053	DLFC 5.3 GPM for 3/4 drain
V3162-065	DLFC 6.5 GPM for 3/4 drain
V3162-075	DLFC 7.5 GPM for 3/4 drain
V3162-090	DLFC 9.0 GPM for 3/4 drain
V3162-100	DLFC 10.0 GPM for 3/4 drain
V3163	O ring drain fitting brine fitting
V3165-01	BLFC holder cage complete with BLFC
V3166	WS1 Exhaust FTG Body 25.4 mm (1")
V3167	WS1 Exhaust FTG Adapter 25.4 mm (1")
V3170	Injector lower O-ring 011
V3171	Injector upper O-ring 013
V3174	Brine piston
V3175-01B	Blue Faceplate WS1 Valve
V3175CI-01	Ivory faceplate WS1CI valve
V3175CI-01B	Blue Faceplate WS1CI Valve
V3175CI-01N	Black Faceplate WS1CI Valve
V3175EI-01	Black Faceplate WS1EI Valve
V3175TC-01	Black Faceplate WS1TC Valve
V3175TC-01A	WS1TC Front Cover Assembly Almond
V3175WC-A	Ivory splash guard lid
V3176	Injector cover
V3177-01	Injector filter for WS1CI, WS1TC & WS1.25CI
V3178	Gear Back Plate (BACK PLATE) for WS1CI, WS1TC & WS1.5CI
V3180	O-ring under valve 337
V3182	BLFC 0.5 GMP
V3186-06	Clack valve transformer 110-220V - 15DC - USA PLUG
V3186EU	Clack valve transformer 220V - 12/15AC -
V3186EU-06	Clack valve transformer 100-240V - 15DC
V3189	WS1 Fitting 3/4" & 1" PVC Solvent Elbow
V3190-090	DLFC 9.0 GPM for 1" discharge
V3190-100	DLFC 10.0 GPM for 1" exhaust
V3190-110	DLFC 11.0 GPM for 1" exhaust
V3190-130	DLFC 13.0 GPM for 1" exhaust
V3190-150	DLFC 15.0 GPM for 1" exhaust
V3190-170	DLFC 17.0 GPM for 1" exhaust
V3190-200	DLFC 20.0 GPM for 1" exhaust
V3190-250	DLFC 25.0 GPM for 1" exhaust
V3191-01	Vertical by pass adapter
V3192	Unloaded nut
V3192WL	Drain ring with 3/4 x 15 hose holder

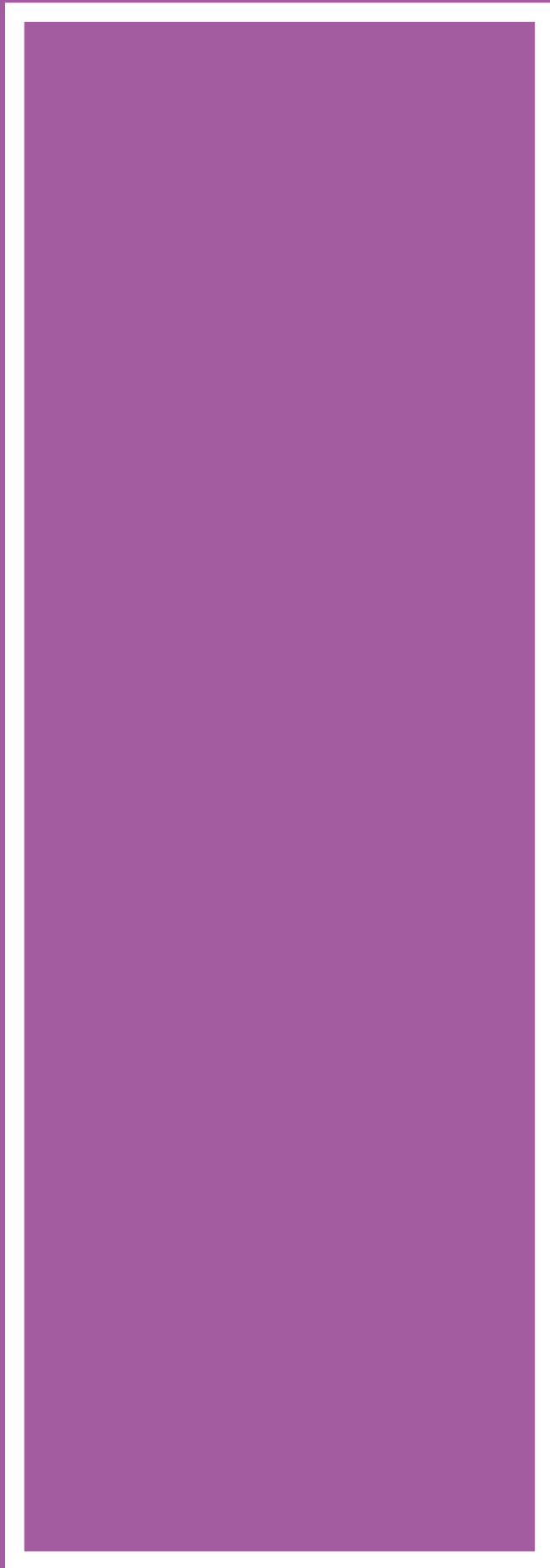


CODE	DESCRIPTION
V3193-02	Clack valve wrench
V3195-01	Brine suction cap
V3201-01	WS2 Body
V3202	WS2 Base (4" threaded)
V3204-01	WS2 Piston
V3221	WS Remote Meter with 15 Foot Cord
V3222	WS2 Meter Housing
V3222BSPT-01	WS2 Meter Housing
V3223	WS1.5/WS2 meter clips
V3224-01R	WS2 Front Cover Assembly Platinum
V3225	WS2H/3 Back plate
V3226-01	WS2 Drive Bracket assembly
V3231	WS2 Refill Flow control Retainer
V3236-04	WS2H Inject tube assembly A thru H
V3237-01	WS2H/3 Soft Water Fill Tube Assembly
V3238-01	WS2 WS3 Brine Piston
V3241-01BOARD	WS2 WS3 PC board display (pod)
V3241-02BOARD	WS2H/3 Graph Display POD PC board Replacement
V3242-01BOARD	WS2 WS3 PC board Valve
V3242-02BOARD	WS2H/3 VLV W/MODBUS PCB REPL
V3242-03BOARD	WS2H/3 VLV W/MODBUS 1M PCB REPLACE
V3243-01BOARD	WS2 WS3 System Board
V3245	WS2 Flange Inlet NPT (DLFC)
V3246	WS2 Flange Outlet NPT (DLFC)
V3248	WS2 Cable Display Pod
V3256	WS2 Groove lock camp 2 1/2 A
V3257	WS2 Groove lock camp 2 1/2 B
V3258-01	WS2 By-Pass Body Left
V3259-01	WS2 By-Pass Body Right
V3260	WS2 Side Mount Adapter assembly
V3260BSPT-02	WS2H/2QC 2" BSPT side mount adapter
V3261	WS2 Side Mount Base
V3262-01	WS1.5/2 ALT /2 Reduction Gear Cover Assembly
V3264	WS2 Reduction Gear Axel
V3268	WS2 By-pass Cover Dome Manual
V3269	WS2 Nut 5/16-18 SS Hex Manual
V3272	WS2 Screw 8 X 1 SS Hex self tapping
V3273	Bolt Hex Head SS HCS 3/8 - 16 X 3/4
V3274	WS2 screw BTNSKT HD SS 3/8 - 16 X 2
V3275	WS2 screw BSHD SS 3/8 - 16 X 2 1/4
V3276	WS2 Bolt hex SS 5/16-18 X 1 3/4
V3277	O-ring 211
V3278	O-ring 338
V3279	O-ring 346
V3280	O-ring 332
V3281	O-ring 348
V3283	O-ring 117
V3284	O-ring 114
V3285	O-ring 213
V3286	O-ring 216
V3287	O-ring 110

CODE	DESCRIPTION
V3288	O-ring 206
V3289	O-ring 344
V3290	WS2 Groove lock seal 2 1/2"
V3291	WS2 Washer SS 3/8
V3292	WS2 Screw BSHD SS 1/4 20 X 1 1/2
V3293	WS2 Washer SS 5/16 flat
V3298-01	WS2 Alternating Valve Body NPT
V3315	O-Ring 231 (WS2H Injector Housing)
V3330-01	Salt suction elbow d.3/8" complete with BLFC 0.5 gpm
V3340	Interconnection cable for WS1/1.25/1.5 regen. in cascade
V3357	O-ring 218 Distributor Tube Opening 32mm
V3400BSPT-01	WS1.5CI DF BSPT valve body
V3401BSPT-01	WS1.5 meter housing BSPT
V3403	Injector cover for 1" 1/2 valve
V3404	Injector filter for 1" 1/2 valve
V3407	Equicurrent piston for 1" 1/2 valve
V3408EI-03BOARD	Clack board for WSIEI valve
V3414	Adapter for 1" 1/2 valve exhaust connection
V3415	BLFC adapter for 1" 1/2 valve
V3416	Injector lower O-ring 012
V3417	O-ring 220 x Valve injector cover 1" 1/2
V3419	O-ring 347 subvalve WS1.5CI
V3422	Injector cover screw for valve 1" 1/2
V3423	Rear plate pin
V3428	BLFC holder cage complete with BLFC for WS1.5CI
V3430	O-ring and spacer kit for valve. 1" 1/2
V3434-01	Complete brine fitting 5/8" x 3/4" NPT for WS1.5CI
V3437	WS1.5CI flow regulator
V3441	O-ring 226 distributor tube
V3452	WS2 O-Ring 230
V3461	WS2 A/C Adapter 110 - 24V
V3461EU	Transformer for WS2H and WS3 valve
V3461EU-02	WS2H/3 24VDC 0.8A EU PWRSUPPLY
V3467	WS1 Bypass Inline Adapter Fittings
V3468	WS2 Plug 1/4" Hex npt
V3470	Screw Bhc 1/4-20 X 1 Ss
V3474	Interconnection cable kit for WS1/1.25/1.5 duplex, 2m long
V3475-12	WS2 /3 3.65 m communication cable
V3475-24	WS2/3 7.3m communication cable
V3475-36	WS2/3 10.90m communication cable
V3476	WS Motor assembly 8'
V3477	WS2 Injector Ch
V3480	Screw WS2 Pod 18-8 SS 6-32 X 3/8
V3496	WS Wide Back Plate
V3498	WS15 Brine Elbow Assembly with Refill Flow Control 1/2"
V3499	WS2H/3 Fitting Cap 1" Threaded
V3506-01	Piston mav WS/1.25/1.5
V3545-01	WS1CH Front cvr asy black
V3545-02	WS1CT Front cvr asy black

CODE	DESCRIPTION
V3552	Salt suction elbow d.1/2" complete with BLFC 0.5 gpm
V3558CF-03BOARD	WS1 CG B.Ligh pcb replace for VICFUMB-M03
V3558CG-01BOARD	WS1 THRU2L/2 CG pcb replace
V3592	Screw #8-1 Phpn T-25 Ss
V3602	WS3 Flow Straightener
V3614	Hinge pin for CWS cabinet
V3632	WS1.5/2/3 Meter Retaining Clip
V3634-01	Piston mav WS2
V3642	Bolt BHCS SS 1/4-20 x 1.25
V3649	PVC reduction 1" 1/2 M x 1" 1/4 F
V3666-01	WS3 Piston
V3670-01	WS3 Injector Tube Downflow Assembly
V3672	WS3 Top Baffle Diff. 3"/90mm
V3674BSPT-02	3" BSPT Side Mount Adapter
V3695-01	Piston mav WS3
V3696	Cover mav WS3
V3700BSPT-01	WS2 Body Downflow BSPT Threads
V3724	Washer Flat Ss 1/4
V3725	WS2 Piston Downflow asy
V3726	WS2 Brine Piston Asy
V3727	WS2 Injector Body Assembly
V3728	WS2 Drive Cap Asy
V3729	WS2 Stack Asy
V3729-01	WS2 Stack Assembly Upflow (color black and gray)
V3730	WS2 Injector Feed Tube Assembly Downflow
V3730-01	WS2 Injector Feed Tube Upflow (color gray)
V3731	WS2 Injector Draw Tube Assembly Downflow
V3731-01	WS2 Injector Draw Tube Upflow (color gray)
V3762	O-ring 341
V3763	O-ring 361
V3764BSPT	3" BSPT exhaust fitting for WS3 valve
V3766	WS3 DLFC Retainer
V3767	WS3 DLFC Retainer Cover
V3768	WS3 DLFC Retainer Ring
V3769	O-ring 336
V3797	WS1 Fitting 1" PVC Male BSPT Elbow
V3807	WS2 Auxiliary Switch Actuator
V3818TC-BOARD	WS1TC valve electronic card 4-digit display
V3886	WS15 No Hard Water Bypass Stack Assembly
V3887	WS2 No Hard Water Bypass Stack Assembly
V3946	WS Wide Back Plate Valv.CM
V3950BSPT-01	WS15 Valve Body BSPT Gen. 2
V3961	Fitting Kit WS2 1/2 Polytube
V3967	WS15 Injector Body Assembly Gen. 2
V3968	WS15 Injector Feed Tube Assy Downflow (color black)
V3968-01	WS15 Injector Feed Tube Assy Upflow (color gray)
V3969	WS15 Injector Draw Tube Assy Downflow (color black)
V3969-01	WS15 Injector Draw Tube Assy Upflow (color gray)
V3983	WS2 DLFC Adapter
V3998-01	WS CM front cover assembly

CODE	DESCRIPTION
V4005-01	T1 Transfer Cap Asy
V4006-01	T1 Transfer Drive Cap Asy
V4011-01	T1 Transfer Drive Gear Asy
V4012	T1 Transfer Drive Gear Axle
V4013	T1 Transfer Reduction Gear
V4014	T1 Transfer Spring Support
V4015	T1 Transfer Spring
V4016	T1 Transfer Seal
V4017-01	Straight interconnector kit for Twin valve connection
V4023	T1 Transfer Drive Shaft Asy
V4029	O-Ring 236
V4036	T1 Rotor Disk Asy
V4042	Counterflow piston for 1.25 and 1.5 valve
V4049	T1 Cover Assembly
V4052	Pipe diameter 1"1/4 l=20" for V3007-07
V4055	Twin tank meter asy
V4059	WS2 Piston Assembly Upflow (color black)
V4070CM-BOARD	Clack board for WS1CM/WS1.25CM/WS1.5CM/WS2CM valve
V4099	External mixing valve In-line mounting
V4144	3/8" elbow fitting with O-Ring
V4144-01	3/8" elbow fitting complete with BLFC
V4276-36	11.00 m power cable
V4427	WS2H/3 PCB RELAY EXP KIT
V4430-02	WS15P Fitting Assembly QC to BSPT
V4430-03	WS15P Fitting Assembly QC to QC
V4430-04BSPT	WS15P BSPT DRAIN KIT
V4430-08	WS15P FTG ASY QC TO BSPT ELBOW
V4430-09	WS15P FTG ASY QC TO QC ELBOW
V4430-12	WS15P 1.5" stainless steel BSPT straight assembly
V4460-02	2" plt fittings - QC WS2P - BSPT
V4460-03	QCxQC ws2p PLASTIC joint
V4460-12	2" steel fittings - QC WS2P - BSPT
V4470-15	CABLE CAT5 W/RJ45 END BLK 15FT
V4678	WS15 Bypass = V4678-L and V4678-R
V4679	WS15 Split Bypass
V4680	WS15 Isolation Valve





WARNING: THE SYSTEM  
SAKFLO  
CAUTION: Valve / Van  
O-ring / O-ring  
Grease Only

BY LOCK  
Pressure: 20 P.S.I. Max.  
Grease Only

AVERTISSEMENT: LE SYSTEME DOIT ETRE ISOLE CONTRE  
UN RETOUR D'EAU (SI REQUIS PAR REGULATION LOCALE)  
ATTENTION: Couple de Serrage Valve / Boutelle: 27 N-m Max.  
Lubrifiant pour Joint Torique: Graisse de Silicium Uniquement.

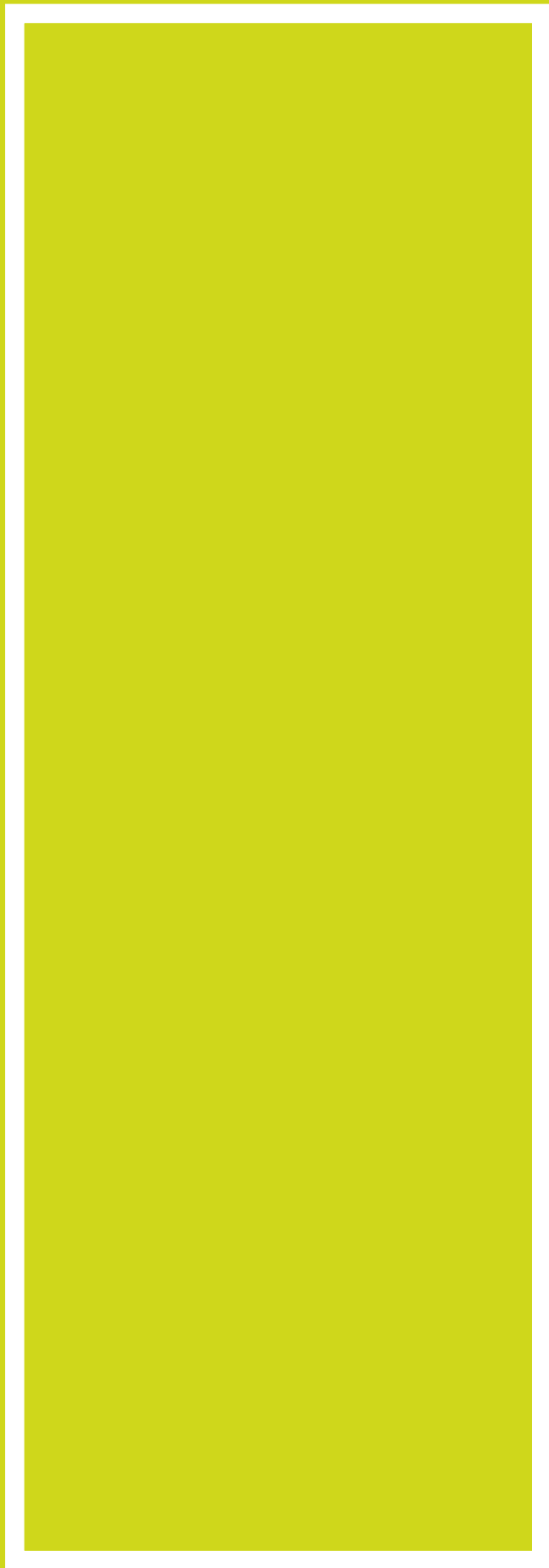




**6.0**

***Autotrol Valves***





# 6.1 AUTOTROL 1" VALVES

## AUTOTROL VALVE 255

Valve for typical residential applications. Plastic construction (Noryl®). Available with electronic controller for start-up and regeneration cycle management.

### Technical specifications:

Operating flow rate 1bar dP - 3.5 m<sup>3</sup>/h

Backwash flow rate 1.7 bar dP - 1.5 m<sup>3</sup>/h

Cylinder attachment: 2"-1/2" 8 NPSM

Input/output connections: 1"

Operating pressure min 1.4 bar - max 8.3 bar

Operating temperature min 2°C - max 38°C

Power supply voltage 230 VAC

Power supply frequency: 50 Hz

Valve body material: Noryl®

Softening cylinder: 6"-14"



### ACCESSORIES INCLUDED IN THE SUPPLY

Dispenser tube Ø 27 x 1160 mm - Code ARI00364

Under-valve diffuser Ø 27 - Code ARI00345

Background diffuser Ø 27 - Code ARI00355

1" brass mixer connection kit - Code AU100056

Nut with built-in ogive - Code JP61D06P

Cranked end Ø3/8 "x1/4" - Code JP70YL06P04

Cover for valve 255 400 series - Part No. 3019870

Cover for valve 255 series 700 - Part No. 1236246

### TIMER LOGIX

Code	Description	€
<b>Backgroup and brass mix</b>		
AU100036	255/740 Logix time valve complete with backgroup and brass mix	
AU100015	255/742 Logix time valve complete with backgroup and brass mix	
AU100038	255/760 Logix volume valve complete with backgroup and brass mix	
<b>PLT backgroup</b>		
AU100036PLT	255/740 Logix Time Valve Complete with PLT backgroup	
AU100015PLT	255/742 Logix Time Valve Complete with PLT backgroup	
AU100038PLT	255/760 Logix Volume Valve Complete with PLT backgroup	



### LOGIX DUPLEX TIMER

Code	Description	€
<b>Backgroup and brass mix</b>		
AU100094	Valve 255/764 Logix duplex complete with backgroup and brass mix	
<b>PLT backgroup</b>		
AU100094PLT	255/740 Logix Duplex Valve Complete with PLT Backgroup	
1239760	Hardness Mixing Screw Kit for Autotrol 255 Valve	
SIG255WQ-003	Autotrol 255 MTD + 760C w/accessories 08	

## AUTOTROL VALVE 268 PERFORMA

Performa Logix is a non-corrosive, UV-resistant valve with a body made of fibre-reinforced polymer matrix material for superior strength and longevity. Designed with double backwash for less hardness loss, its capacities are compatible with tank diameters up to 16" for softening and up to 18" for filtration. In addition, a proven flapper ensures a friction-free seal for a long life; programming, saved in memory, will not be lost in the event of a power failure.

Technical specifications:

- Operating flow rate 1bar dP - 5.7 m<sup>3</sup>/h
- Backwash flow rate 1.7 bar dP - 4.5 m<sup>3</sup>/h
- Cylinder attachment: 2" ½ 8 NPSM
- Input/output connections: 1"
- Operating pressure min 1.4 bar - max 8.3 bar
- Operating temperature min 2°C - max 38°C
- Power supply voltage 230 VAC
- Power supply frequency: 50 Hz
- Valve body material: Noryl®
- Softening cylinder: 6"
- Tank filtration: 6"-18"



Code	Description	€
AU100212	Valv. Autotrol 268/740 Crono LOGIX compl.acc.and act. kit 1	
AU100218	Valv. Autotrol 268/760 Volume LOGIX compl.acc.and act. kit 1	

## 6.2 AUTOTROL VALVES 1" 1/2

### AUTOTROL MAGNUM CV 1.5" VALVE

The Magnum control valve is one of the most versatile on the market. It has a fully electronic control platform, with a super capacitor that allows a 24-hour back-up, making a battery unnecessary. In addition, the cartridge-style assembly ensures easy installation and cleaning of injectors and refills. Specifications

- Operating flow rate 1bar dP - 17.3 m<sup>3</sup>/h
- Backwash flow rate 1.7 bar dP - 20.2 m<sup>3</sup>/h
- Cylinder attachment: 4" 8 NPSM
- Input/output connections: 1,5"
- Operating pressure min 1.7 bar - max 7 bar
- Operating temperature min 2°C - max 38°C
- Power supply voltage 230 VAC
- Power supply frequency: 50 Hz
- Valve body material: Noryl®



**NHWB = Non Hard Water Bypass      HWB = Hard Water Bypass**

Code	Description	€
AU100721	Valv. Magnum cv 298/762 HWB 16"-Inj-BLFC-DLFC, 1.5"+acc.	
AU100722	Valv. Magnum cv 298/762 HWB 18"-Inj-BLFC-DLFC, 1.5"+acc.	
AU100723	Valv. Magnum cv 298/762 HWB 21"-Inj-BLFC-DLFC, 1.5"+acc.	
AU100734	Valv. Magnum cv 298/762 HWB 24"-Inj-BLFC-DLFC, 1.5"+acc.	
AU100731	Valv. Magnum cv 298/762 NHWB 16"-Inj-BLFC-DLFC, 1.5"+acc.	
AU100732	Valv. Magnum cv 298/762 NHWB 18"-Inj-BLFC-DLFC, 1.5"+acc.	
AU100733	Valv. Magnum cv 298/762 NHWB 21"-Inj-BLFC-DLFC, 1.5"+acc.	
AU100734	Valv. Magnum cv 298/762 NHWB 24"-Inj-BLFC-DLFC, 1.5"+acc.	

## 6.3 AUTOTROL 2 VALVES

### AUTOTROL MAGNUM IT 2" VALVE

The Magnum control valve is one of the most versatile on the market. It has a fully electronic control platform, with a super capacitor that allows a 24-hour back-up, making a battery unnecessary. In addition, the cartridge-style assembly ensures easy installation and cleaning of injectors and refills. Specifications

- Operating flow rate 1bar dP - 18.2 m<sup>3</sup>/h
- Backwash flow rate 1.7 bar dP - 20.2 m<sup>3</sup>/h
- Cylinder attachment: 4" 8 NPSM
- Input/output connections: 1,5
- Operating pressure min 1.7 bar - max 7 bar
- Operating temperature min 2°C - max 38°C
- Power supply voltage 230 VAC
- Power supply frequency: 50 Hz
- Valve body material: Noryl®
- Softening cylinder: 6



**NHWB = Non Hard Water Bypass      HWB = Hard Water Bypass**

Code	Description	€
AU100763	Valv. Magnum IT 298/762 HWB 21"-Inj-BLFC-DLFC, 2.0"+acc.	
AU100764	Valv. Magnum IT 298/762 HWB 24"-Inj-BLFC-DLFC, 2.0"+acc.	
AU100765	Valv. Magnum IT 298/762 HWB 30"-Inj-BLFC-DLFC, 2.0"+acc.	
AU100766	Valv. Magnum IT 298/762 HWB 36"-Inj-BLFC-DLFC, 2.0"+acc.	
AU100773	Valv. Magnum EN 298/762 NHWB 21"-Inj-BLFC-DLFC, 2.0"+acc.	
AU100774	Valv. Magnum IT 298/762 NHWB 24"-Inj-BLFC-DLFC, 2.0"+acc.	
AU100775	Valv. Magnum EN 298/762 NHWB 30"-Inj-BLFC-DLFC, 2.0"+acc.	
AU100776	Valv. Magnum EN 298/762 NHWB 36"-Inj-BLFC-DLFC, 2.0"+acc.	



## 6.4 AUTOTROL DUPLEX 2 VALVES

### AUTOTROL VALVE MAGNUM DUPLEX 2"

- suitable for automatic industrial water softening systems;
- prepared for operation in both alternating duplex and parallel duplex;
- consisting of 2 valves (one 'master' and the other 'slave') with electronic volumetric timer 764;
- single column operating flow rate 18.2mc/h
- range single column resin capacity = 100 + 700 litres;
- adapters, fittings and accessories
- the reintegration system at the brine vat does not require a safety float valve, but air-check only
- interconnecting pipes are not including
- complete with power supply socket 12/230V - 50Hz with European plug



Code	Description	€
AU100803	Valv. Magnum IT 298/764TW 21"-Inj-BLFC-DLFC, 2.0"+acc.	
AU100804	Valv. Magnum IT 298/764TW 24"-Inj-BLFC-DLFC, 2.0"+acc.	
AU100805	Valv. Magnum IT 298/764TW 30"-Inj-BLFC-DLFC, 2.0"+acc.	
AU100806	Valv. Magnum IT 298/764TW 36"-Inj-BLFC-DLFC, 2.0"+acc.	

## 6.5 ACCESSORIES

Code	Description	€
AU100056	1" brass mixer connection kit for Autotrol 255	
AU100055	By-pass connection kit 256 1" for Autotrol 255 plastic	
AU100062	Plastic coupling kit 3/4" for Autotrol 255	
AU100064	Plastic coupling kit 1" for Autotrol 255	
1040769	By-pass 256 for Autotrol 255 plastic	
1244336	Chlorine generator kit for Logix 255/268	
AU100072	1" brass coupling kit for Autotrol 263/268 complete with plastic ferrules and gaskets	
1000814	220 V - 12 V transformer for Autotrol valve	
ARI00573	Chlorine generator for LOGIX	



6.0

Autotrol valves

## 6.6 SPARE PARTS

### SPARE PARTS 255 LOGIX VALVE BODY

Code	Description	€
1033784	255 tank adapter new style	
1010154	O-ring EP	
1232370	O-ring EP	
1235340	Top plate, 255 valve, 700/860 series	
1235341	Spring, one piece, 255 valve	
1236246	Cover, valve, 255/Performa, 700/860	
1001404	O-ring group: tank adapter	
1040459	O-ring group: piping boss	
1001986	13/16" rubber insert (optional)	
1000250	Valve disk kit - standard/sev	
1239760	Blending Valve Kit 400 & 700 Series	
1000226	Screen/cap assy w/ O-ring	
1035731	"F" injector (high efficiency) - peach (7" dia. vessels)	
1035733	"H" injector (high efficiency) - l purple (9" dia. vessels)	
1035734	"J" injector (high efficiency) - l blue (10" dia. vessels)	
1035735	"K" injector (high efficiency) - pink (12" dia. vessels)	
1035736	"L" injector (high efficiency) - orange (13-14" dia. vessels)	
1000269	injector cap with O-ring	
1000209	No. 7 (1.2 gpm; 4.5 lpm)	
1000210	No. 8 (1.6 gpm; 6.1 lpm)	
1000211	No. 9 (2.0 gpm; 7.6 lpm)	
1000212	No. 10 (2.5 gpm; 9.5 lpm)	
1000213	No. 12 (3.5 gpm; 13.2 lpm)	
1000214	No. 13 (4.1 gpm; 15.5 lpm) no ball	
1000215	No. 14 (4.8 gpm; 18.2 lpm) no ball	
1243510	Regenerant refill controller, .33 gpm no ball	
1032417	Air check kit 1/4" male (std)	
3029962	Motor locking pin (white)	
1030502	Ball, flow control internal up to no 12 included	

Code	Description	€
1244336	Chlorine generator kit, 0.33 gpm	
1242411	Extension cord 50 cm for cabinets (motor, opt. sens., turbine wires)	
1235446	Turbine cable, Logix, short	
1239752	Switch kit, front mount, 5 Amp	
1239753	Switch kit, top plate mount, 0.1 Amp	
1239754	Switch kit, top plate mount, 5 Amp	

6.0

Autotrol valves

## SPARE PARTS 255 LOGIX TIMER

Code	Description	€
1242165	Logix 760 C controller - picto	
1242159	Logix 742 C controller - picto	
1265830	Logix 762 C controller - picto	

## SPARE PARTS 255 MECHANICAL VALVE BODY

Code	Description	€
1000232	Valve assy w/o flow controls	
1031950	Camshaft standard one piece	
1033025	Camshaft extra salt/long rinse segmented	
1000226	Screen/cap assy with O-ring	
1000209	No. 7 (1.2 gpm; 4.5 lpm)	
1000210	No. 8 (1.6 gpm; 6.1 lpm)	
1000211	No. 9 (2.0 gpm; 7.6 lpm)	
1000212	No. 10 (2.5 gpm; 9.5 lpm)	
1000213	No. 12 (3.5 gpm; 13.2 lpm)	
1000214	No. 13 (4.1 gpm; 15.5 lpm)	
1000215	No. 14 (4.8 gpm; 18.2 lpm)	
1030502	Flow control ball	
1034261	Brine refill control 1 to 10 lbs salt	
1000269	Injector cap with O-ring	
1033784	Tank adapter assy	
1032417	Air check kit	
1010154	O-ring EP	
1010428	O-ring 1 x 1-3/8 x 3/16 (1" riser tube)	
1001580	Spring, valve discs	
1001404	O-ring set	
1040459	O-ring set	
1001986	13/16 rubber insert (optional)	
1000250	Standard/sev valve discs for 255	
1239760	Blending Valve Kit 400 & 700 Series	

6.0

Autotrol valves

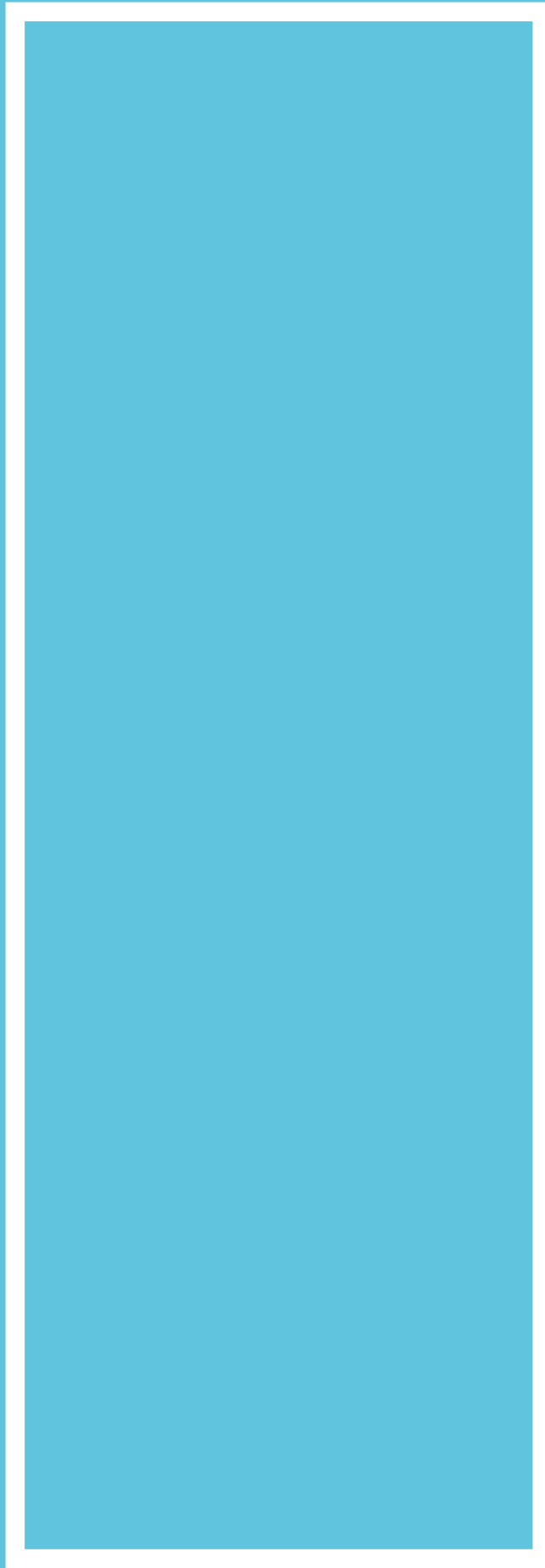






**7.0**

*Fleck Valves*



# FLECK

## RESIDENTIAL VALVE 4600 MECHANICAL AND 4600 ELECTRONIC SXT

Technical specifications:

- Operating flow rate 1 bar dP - 4.5 m<sup>3</sup>/h
- Backwash flow rate 1.8 bar dP - 1.6 m<sup>3</sup>/h
- Cylinder attachment: 2" 1/2 8 NPSM
- Input/output connections: 1" on request 3/4"
- Operating pressure min 1.4 bar - max 8.5 bar
- Operating temperature min 4°C - max 82°C (65°C volumetric version)
- Power supply voltage 230 VAC
- Power supply frequency: 50 Hz
- Valve body material: Bronze
- Softening cylinder: 6"-12"

### Accessories included in the softening version

HW Dispenser Pipe Ø 27 x 1950 - Code FLA21675

Air Check HW 3/8" - Codice FLA23473

1" Brass Yoke - Code FLA13398-10

Filter cylinder 9"-12" (DLFC 3/4") - 13"-21" (DLFC 1")



For hot water

7.0

Fleck Valves

## MECHANICAL 4600 VALVE WITH ACCESSORIES

Valve for hot water applications. The valve body is made of brass. The volumetric version can be used with water up to 65°C. The chronometric version can be used up to 82°C.

- Adjustable brine
- Start Chronometric Regeneration: 2 days
- Volumetric regeneration start: delayed



Code	Description	€
FL46001602	Valve 4600/1600 hot water 82°C complete	
FL46001606	Valve 4600/1600 3/4" Volume 8m <sup>3</sup> hot water 65°C complete	

## 4600 SXT ELECTRONIC VALVE WITH ACCESSORIES

Valve for hot water applications. The valve body is made of brass and is ideal for softening and filtration applications, with a fully programmable electronic board to control the regeneration cycle and regeneration start.

- Backlit display
- Full programmability of the regenerative cycle
- Regeneration start: chronometric, immediate volumetric, delayed volumetric, manual
- Service and self-diagnostic indicators
- Advanced programming options, including the possibility of programming up to 6 regeneration cycles with independent time adjustment
- Possibility of double backwash



Code	Description	€
FL46001612	Fleck 4600/1600 SXT hot water valve 82°C complete	

## RESIDENTIAL VALVE 5600 MECHANICAL AND 5600 ELECTRONIC SXT

### Technical specifications:

- Operating flow rate 1 bar dP: 4,5 m<sup>3</sup>/h
- Backwash flow rate 1.8 bar dP: 1,6 m<sup>3</sup>/h
- Cylinder attachment: 2" ½ 8 NPSM
- Input/output connections: 1" on request ¾"
- Operating pressure: min 1.4 bar - max 8.5 bar
- Operating temperature: min 4°C - max 43°C
- Supply voltage 230 VAC or 230-24 VAC transformer
- Motor power supply 230 VAC or 24 VDC
- Power supply frequency: 50 Hz
- Valve body material: Noryl™
- Softening cylinder: 6"-12" (1600)
- Cylinder Filtration: 6"-10" (1600)

### Accessories included in the softening version

- Dispenser tube Ø 27 x 1160 mm - Code ARI00364
- Background diffuser Ø 27 - Code ARI00355
- 1" Brass Yoke - Code FLA13398-10
- Air Check 3/8" - Code FLA18168

### Accessories included in the filter version

- Dispenser tube Ø 27 x 1160 mm - Code ARI00364
- Background diffuser Ø 27 - Code ARI00355
- 1" Brass Yoke - Code FLA13398-10



€

Code	Description
FL56001601	Valve 5600/1600 220v complete
FL56001605	Valve 5600/1600 3/4" Volume 8 m <sup>3</sup> 220v complete

## SXT ELECTRONIC VALVE 5600 WITH ACCESSORIES

Plastic residential valve, for filtration softening applications, with fully programmable electronic board to control the regeneration cycle and regeneration start.

- Backlit display
- Full programmability of the regenerative cycle
- Regeneration start: chronometric, immediate volumetric, delayed volumetric, manual
- Service and self-diagnostic indicators
- Advanced programming options, including the possibility of programming up to 6 regeneration cycles with independent time adjustment
- Possibility of double backwash



€

Code	Description
FL56001616	Valve 5600/1600 SXT complete
FL56001621	Valve 5600/1600 SXT 3/4" Volume complete
FL5600SXTF	Valve 5600/1600 SXT Filter complete

## VALVE TWIN 9000 MECHANICAL TIMER AND TIMER SXT

Technical specifications:

- Operating flow rate 3/4" valve: 1 bar dP - 4.0 m<sup>3</sup>/h
- Operating flow rate 1" valve: 1 bar dP - 4.7 m<sup>3</sup>/h
- Backwash flow rate 1.8 bar dP - 1.9 m<sup>3</sup>/h
- Input/output connections: 3/4 O; + 1
- Cylinder attachment: 2" 1/2 8 NPSM
- Operating pressure: min 1.8 bar - max 8.5 bar
- Operating temperature: min 4°C - max 43°C
- Power supply voltage 230 - 24VAC transformer
- Power supply frequency: 50 Hz
- Valve body material: Bronze
- Softening cylinder 6"-16" (1600)

### Accessories included in the supply

Dispenser Pipe Ø 27 x 1600 mm - Code ARI00365

Background diffuser Ø 27 - Code ARI00355

1" Brass Yoke - Code FLA13398-10

Air Check 3/8" - Code FLA18168

## VALVE 9000 MECHANICAL TIMER WITH ACCESSORIES

Industrial valve with bronze body for softening applications with alternating service and immediate volumetric regeneration.

Regeneration with softened water

Starting Volumetric Regeneration: Immediate



Code	Description	€
FL90001605	Valve 9000/1600 3/4" Volume 8 m <sup>3</sup>	
FL90001606	Valve 9000/1600 3/4" Volume 40 m <sup>3</sup>	
FL90001610	Valve 9000/1600 1" Volume 20 m <sup>3</sup>	

## VALVE 9000 TIMER SXT WITH ACCESSORIES

Industrial valve with bronze body for softening applications with alternating service and immediate volumetric regeneration. Operation is fully managed by the fully programmable electronic board.

Regeneration with softened water

Starting Volumetric Regeneration: Immediate



Code	Description	€
FL90001616	Valve 9000/1600 SXT 3/4" Volume complete	



## VALVE TWIN 9100 TIMER SXT

Industrial valve with plastic body for softening applications with alternating duty and immediate volumetric regeneration. Operation is fully managed by the fully programmable electronic board.

Backlit display

Full programmability of the regenerative cycle

Immediate volumetric regeneration

Regeneration with softened water

Technical specifications:

- Operating flow rate 3/4" valve: 1 bar dP - 4.0 m<sup>3</sup>/h
- Operating flow rate 1" valve: 1 bar dP - 4.4 m<sup>3</sup>/h
- Backwash flow rate 1.8 bar dP - 1.9 m<sup>3</sup>/h
- Cylinder attachment: 2" 1/2 8 NPSM
- Input/output connections: 3/4 O; + 1
- Operating pressure: min 1.4 bar - max 8.5 bar
- Operating temperature: min 4°C - max 43°C
- Power supply voltage 230 - 24VAC transformer
- Motor power supply 24 VAC
- Power supply frequency: 50 Hz
- Valve body material: Noryl™
- Softening cylinder 6"-16" (1600)



### Accessories included in the softening version

Dispenser Pipe Ø 27 x 1600 mm - Code ARI00365

Background diffuser Ø 27 - Code ARI00355

1" Brass Yoke - Code FLA13398-10

Air Check 3/8" - Code FLA18168

Code	Description	€
FL91001616	Valve 9100/1600 SXT 3/4" Volume complete	

## VALVE 9500 TIMER SXT WITH ACCESSORIES

Industrial valve with bronze body for softening applications with fully programmable electronic board for controlling the regeneration cycle and regeneration start, with alternating duty.

Backlit display

Full programmability of the regenerative cycle

Regeneration start: immediate volumetric



### Accessories included in the supply

Distributor Pipe Ø 50 x 1660 mm - Code FLA21148-01

Background diffuser Ø 50 - Code FLA18396

Connecting hoses for 20" cylinders - Code FLA28137-20 (Version 1600)

Connection hoses for 24" cylinders - Code FLA28137-24 (Version 1700)

Air Check 3/8" - Code FLA18168 (Version 1600)

Air Check A.C.900 - Code 18979 (Version 1700)

Code	Description	€
FL95001616	Valve 9500/1600 SXT 1" 1/2 Volume complete	
FL95001716	Valve 9500/1700 SXT 1" 1/2 Volume complete	

## INDUSTRIAL VALVE 2750 TIMER SXT

Fully programmable electronic valve for controlling the regeneration cycle and regeneration start. The control part is protected against splash water by a sealing cover with gasket to achieve IP44 protection.

Bronze valve body

Starting regeneration : Manual, Chronometric, Volumetric

Technical specifications:

- Operating flow rate 1 bar dP - 5.9 m<sup>3</sup>/h
- Backwash flow rate 1.8 bar dP - 5.6 m<sup>3</sup>/h
- Cylinder attachment: 2" 1/2 8 NPSM
- Connections Inlet/outlet 1"
- Operating pressure min 1.8 bar - max 8.5 bar
- Operating temperature min 1°C - max 43°C
- Power supply voltage 230-24 VAC transformer
- Power supply frequency 50 Hz
- Valve body material: Bronze
- Softening cylinder 10"-16" (1600) - 21"-24" (1700)
- Cylinder Filtration 10"-21"



### Accessories included in the softening version

Dispenser Pipe Ø 27 x 1600 mm - Code ARI00365

Background diffuser Ø 27 - Code ARI00355

Air Check 3/8" - Code FLA18168 (Version 1600)

Air Check A.C.900 - Code FLA18979 (Version 1700)

### Accessories included in the filtration version

Dispenser Pipe Ø 27 x 1600 mm - Code ARI00365

Background diffuser Ø 27 - Code ARI00355

## VALVE 2750 WITH ACCESSORIES

Code	Description	€
FL27501626	Valve 2750/1650 SXT 3/4" Volume complete	
FL27501631	Valve 2750/1650 SXT 1" Volume complete	
FL27501716	Valve 2750/1710 SXT Timer complete	
FL27501721	Valve 2750/1710 SXT 1" Volume complete	
FL2750SXTF	Valve 2750 SXT Filter complete	

## INDUSTRIAL VALVE 2850 TIMER SXT

Fully programmable electronic valve for controlling the regeneration cycle and regeneration start. The control part is protected against splash water by a sealing cover with gasket to achieve IP44 protection.

Bronze valve body

Starting regeneration : Manual, Chronometric, Volumetric

Technical specifications:

- Operating flow rate 1 bar dP - 11.6 m<sup>3</sup>/h
- Backwash flow rate 1.8 bar dP - 11.1 m<sup>3</sup>/h
- Cylinder attachment: 4" 8 UN
- Connections Inlet/outlet 1" 1/2
- Operating pressure min 1.8 bar - max 8.5 bar
- Operating temperature min 1°C - max 43°C
- Power supply voltage 230-24 VAC transformer
- Power supply frequency 50 Hz
- Valve body material: Bronze
- Softening cylinder 10"-16" (1600) - 18"-30" (1700)
- Cylinder Filtration 10"-24"



### Accessories included in the softening version

Distributor Pipe Ø 50 x 1660 mm - Code FLA21148-01

Background diffuser Ø 50 - Code FLA18396

Air Check 3/8" - Code FLA18168 (Version 1600)

Air Check A.C.900 - Code FLA18979 (Version 1700)

### Accessories included in the filtration version

Distributor Pipe Ø 50 x 1660 mm - Code FLA21148-01

Background diffuser Ø 50 - Code FLA18396

## 2850 VALVE WITH ACCESSORIES

Code	Description	€
FL28501626	Fleck 2850/1650 SXT valve complete	
FL28501631	Valve 2850/1650 SXT 1" 1/2 Volume complete	
FL28501716	Valve 2850/1710 SXT complete	
FL28501721	Valve 2850/1710 SXT 1" 1/2 Volume complete	
FL2850SXTF	Valve 2850 SXT Filter complete	

## INDUSTRIAL VALVE 2910 TIMER SXT

Fully programmable electronic valve for controlling the regeneration cycle and regeneration start. The valve is designed with a double piston in order to optimise the management of the system from a flow rate point of view. The control part is protected against splash water by a sealing cover with gasket to achieve IP44 protection.

Bronze valve body

Starting regeneration : Manual, Chronometric, Volumetric

Technical specifications:

- Operating flow rate 1bar dP - 24 m<sup>3</sup>/h
- Backwash flow rate 1.8 bar dP - 8 m<sup>3</sup>/h
- Cylinder attachment: 4" 8 UN
- Inlet/outlet connections 2" BSP
- Operating pressure min 1.8 bar - max 8.5 bar
- Operating temperature min 1°C - max 43°C
- Power supply voltage 230-24 VAC transformer
- Power supply frequency 50 Hz
- Valve body material: Bronze
- Softening cylinder 14"-16" (1600) - 18"-36" (1700)



### Accessories included in the softening version

Distributor Pipe Ø 50 x 1660 mm - Code FLA21148-01

Background diffuser Ø 50 - Code FLA18396

Air Check 3/8" - Code FLA18168 (Version 1600)

Air Check A.C.900 - Code FLA18979 (Version 1700)

### Accessories included in the filtration version

Distributor Pipe Ø 50 x 1660 mm - Code FLA21148-01

Background diffuser Ø 50 - Code FLA18396

## VALVE 2910 WITH ACCESSORIES

Code	Description	€
FL29101616	Valve 2910/1600 SXT complete	
FL29101621	Valve 2910/1600 SXT 2" Volume complete	
FL29101716	Valve 2910/1710 SXT complete	
FL29101721	Valve 2910/1710 SXT 2" Volume complete	
FL2910SXTF	Valve 2910 SXT Filter complete	

## INDUSTRIAL VALVE 3150 TIMER NXT

Valve for industrial applications with electronics that fully manages the regenerative cycle, all cycle parameters and possible communication in the system of up to 4 cylinders.

- Two-line LCD display with 16 characters
- Connection of up to 4 valves
- Possible configurations: System 4,5,6,7 and 9

Available signals:

- Remote starter
- Inhibiting the start of regeneration
- Programmable relay
- Three levels of programming: User, Installer, Diagnostics

Technical specifications:

- Operating flow rate 1 bar dP - 22 m<sup>3</sup>/h Head mounting version
- Operating flow rate 1 bar dP - 22 m<sup>3</sup>/h Side mounting version
- Backwash flow rate 1.8 bar dP - 24 m<sup>3</sup>/h Head mounting version
- Backwash flow rate 1.8 bar dP - 25 m<sup>3</sup>/h Side mounting version
- Cylinder attachment for overhead mounting: 4" 8 UN
- Inlet/outlet connections 2" BSP
- Operating pressure min 1.8 bar - max 8.5 bar
- Operating temperature min 1°C - max 43°C
- Power supply voltage 230-24 VAC transformer
- Power supply frequency 50 Hz
- Valve body material: Bronze
- Softening Cylinder 24"-42" (TOP Mount) - 24"-60" (Side Mount)

### Accessories included in the softening version

Air Check A.C.900 - Code FLA18979 (Version 1800)



## VALVE 3150 WITH ACCESSORIES

Code	Description	€
FL31501850	Valve 3150/1800 NXT Chronometric head assembly complete	
FL31501855	Valve 3150/1800 NXT Chronometric side mount complete	
FL31501860	Valve 3150/1800 NXT 2" counter volume brass head mounting complete	
FL31501865	Valve 3150/1800 NXT 2" counter volume brass side mount complete	
FL3150NXTTMF	Valve 3150 NXT 2" Filter head assembly complete with DLFC Brass	
FL3150NXTSMF	Valve 3150 NXT 2" Filter side mount complete with DLFC Brass	

## INDUSTRIAL VALVE 3900 TIMER NXT

Ideal valve for use in industrial and multi-column system applications. The valve is designed with a double piston in order to optimise the management of the system from a flow rate point of view. The control part is protected against splash water by a sealing cover with gasket to achieve IP44 protection.

The advanced electronics fully manage the regenerative cycle, all cycle parameters and the possible communication in the system of up to 4 cylinders.

- Two-line LCD display with 16 characters
- Networking of up to 4 valves
- Possible configurations: System 4,5,6,7 and 9

Available signals:

- Remote starter
- Inhibiting the start of regeneration
- Programmable relay
- Three levels of programming: User, Installer, Diagnostics

Technical specifications:

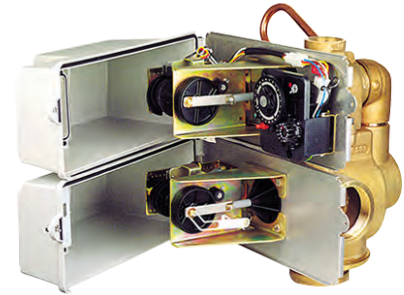
- Operating flow rate 1bar dP - 57 m<sup>3</sup>/h
- Backwash flow rate 1.8 bar dP - 24 m<sup>3</sup>/h
- Cylinder attachment for overhead mounting: Flange 6
- Inlet/outlet connections 3" BSP
- Operating pressure min 1.8 bar - max 8.5 bar
- Operating temperature min 1°C - max 43°C
- Power supply voltage 230-24 VAC transformer
- Power supply frequency 50 Hz
- Valve body material: Bronze
- 30"-60" softening cylinder

### Accessories included in the softening version

Air Check A.C.900 - Code FLA18979 (Version 1800)

## 3900 VALVE WITH ACCESSORIES

Code	Description	€
FL39001850	Valve 3900/1800 NXT Chronometric head assembly complete	
FL39001855	Valve 3900/1800 NXT Chronometric side mount complete	
FL39001860	Valve 3900/1800 NXT 3" counter volume brass head mounting complete	
FL39001865	Valve 3900/1800 NXT 3" counter volume brass side mount complete	





# FLECK ACCESSORIES

## YOKES

Code	Description	€
FLA13398-10	Connection 1" BSP female brass Res - 2510 - 9000 - 9100	
FLA24735	Connection 1" BSP female brass with mixing	
FLA18706-10	Connection 1" BSP M. plastic Res - 2510 - 9000 - 9100	
FLA18706-12	Connection 3/4" BSP M. plastic Res - 2510 - 9000 - 9100	
FLA24689	Port 3/4" BSP male brass	



## BY-PASS

Code	Description	€
FLABU28502	By-pass 1 "BSP steel for residential valve	
FLA24734-10	By-pass 1" BSP brass with mixing 9000 3/4" - 9100 3/4"	
FLABU26054	Plastic by-pass for residential valve	



## SAFETY BRINE VALVES

Code	Description	€
FLA27833	SBV 2300 safety brine valve no air-check 1600	
FLA27834	Safety brine valve SBV 2300 hot water no A.C	
FLA60067-03	SBV 2310 no air-check safety brine valve 1600	
FLA25453	Safety brine valve SBV 2350 no air check 1700	
FLA25364	Brass nut for SBV 2350	
FLA28182	PVC female 1" BSP male thread connection	
FLA25687	Brine valve BV 44 914 mm 1600 & 1650	
FLA18961	Brine valve BV 44 1250 mm 1600 & 1650	



## AIR CHECKS

Code	Description	€
FLA18168	Air Checks 500A 915 mm (36") 1600 & 1650	
FLA26773	Air Checks 500A 1250 mm 1600 & 1650	
FLA23473	Air Checks 500 hot water 1600 HW	
FLA18979	Air Checks 900 1.88 m 1700 & 1800	
FLA18980	Air Checks 900 hot water 1700 & 1800 HW	



## DISTRIBUTION PIPES

Code	Description	€
FLA27827	Distributor tube Ø 27 mm 1.10 high flow rate	
FLA25645	Distributor tube Ø 27 mm 1.95 high flow rate	
FLA25639	Distributor tube Ø 27 mm 1.95 high cap. for hot water	
FLA27828	1" UF & high capacity 1m10	
FLA18404	Distributor tube Ø 50 mm 1.82	
FLABU26052	Distributor tube Ø50 mm 1.82 for hot water	



## LOWER DISTRIBUTORS

Code	Description	€
FLA25360	Bottom diffuser Ø 27 mm high flow	
FLA27106	Bottom diffuser Ø 27 mm high flow for hot water	
FLA25797	Bottom diffuser Ø 27 mm UF & high capacity	
1002-D32	32 mm bottom distributor high flow	



## PIPES

Code	Description	€
FLABU28648	1" - 1m85 (ACS)	
FLABU28649	2" - 1m66 (ACS)	



## INLINE COUNTERS FOR SE, SXT, ET & NT

Code	Description	€
FLA28461-14	Plastic 1" 1/2 BSP counter for 2850, 9500	



## COUNTERS

Code	Description	€
FLA28284	Complete meter kit 1" 1/2 NXT brass	
FLA28295	Complete meter kit 2" NXT Plastic	
FLA29096	Kit Meter assy 1" Stainless Steel NXT2	
FLA29097	Kit Meter assy 1.5 Stainless Steel NXT2	
FLA29098	Kit Meter assy 2" Stainless Steel NXT2	
FLA29082	Kit Meter assy 3" Stainless Steel NXT2	



## VARIOUS

Code	Description	€
FLA18123	Hose kit 2nd tank 350 mm for valve 9000	
FLA28137-16	Copper pipe kit 2nd tank adapter 16" for 9500 valve	
FLA28137-20	Copper pipe kit 2nd tank adapter 20" for 9500 valve	
FLA28137-24	Copper pipe kit 2nd tank adapter 24" for 9500 valve	
FLA61415-20	Side-mounting adapter 2850 - 2910	
FLABU61564-10	Mixing Assy 1" Industrial all industrial valves	



## FLECK SPARES - SPARE PARTS 4600

Code	Description	€
S/APH56SXT-003	PH 4600/5600 SXT Eco	
S/APH560MR-003	PH 4600/5600 Mechanical 40 m <sup>3</sup>	
S/A24116-US	Piston assy 4600/5600	
S/A24117-EU	Piston assy 4600/5600 LWU	
S/A27077-US	Piston assy 4600SXT/5600SXT/6600/6700 DF	
S/A24944	S&S Kit 4600/9000 HW Upper	
S/A24115	S&S Kit Residential	
S/A24509-01	Mixing assy residential	
S/A24509-02	Mixing assy 4600 Hot Water	
S/A29102	Meter cover assy 8 m <sup>3</sup> with impeller	
S/A24107	Meter assy ¾" 8 m <sup>3</sup> plastic	
S/A24114	BV assy 1600 Residential	
S/A22359SP	Hose Barb Straight Hot Water (10 pc)	
S/A29115	Injector service kit residential/9000/9100	
S/A29120	Meter cover assy brass extended with impeller	
S/A13709	Coupling assy residential	
S/A29127	4600 Mechanical LWU HW service kit	
S/A12794-01SP	Elbow ¾"x ¾" (10 pc)	
S/A19699SP	Hose Barb 45° (10 pc)	
S/A18280SP	Top distributor 1" grey (10 pc)	
S/A18280-10SP	Top distributor 1" HW black (10 pc)	

## PARTS FOR OTHER VALVE CONFIGURATIONS

Code	Description	€
S/A19152SP	Flow washer 0.8 GPM (10 pc)	
S/A12085SP	Flow washer 1.2 GPM (10 pc)	
S/A12088SP	Flow washer 2.4 GPM (10 pc)	
S/A12090SP	Flow washer 3.5 GPM (10 pc)	
S/A12091SP	Flow washer 4 GPM (10 pc)	
S/A17814SP	Flow washer 6 GPM (10 pc)	
S/A12408SP	Flow washer 7 GPM (10 pc)	
S/A17943SP	Flow washer 8 GPM (10 pc)	
S/A17944SP	Flow washer 9 GPM (10 pc)	
S/A16529SP	Flow washer 10 GPM (5 pc)	
S/A16736SP	Flow washer 15 GPM (5 pc)	
S/A16528SP	Flow washer 20 GPM (5 pc)	
S/A16737SP	Flow washer 25 GPM (5 pc)	
S/A17307SP	Flow washer BLFC 0.125 GPM (10pc)	
S/A12095SP	Flow washer BLFC 0.50 GPM (10pc)	
S/A12097SP	Flow washer BLFC 1 GPM dia 7.5 mm (10 pc)	
S/A19151SP	Washer 1.0 GPM dia 17.5 mm (10 pc)	
S/A18332-0.12	BLFC 0,12 assy 1600	
S/A18332-0.25	BLFC 0,25 assy 1600	
S/A18332-1	BLFC 1 assy 1600	
S/A29139	Injector nozzle & throat #000 Brown (10 pc)	
S/A29140	Injector nozzle & throat #00 Violet (10 pc)	
S/A29142	Injector nozzle & throat #0 red (10 pc)	
S/A29143	Injector nozzle & throat #1 White (10 pc)	
S/A29144	Injector nozzle & throat #2 Blue (10 pc)	
S/A29145	Injector nozzle & throat #3 Yellow (10 pc)	
S/A29151	Kit injector for filter customization	

## SPARE PARTS 5600

Code	Description	€
S/APH56SXT-003	PH 4600/5600 SXT Eco	
S/APH560MR-003	PH 4600/5600 Mechanical 40 m <sup>3</sup>	
S/A24116-US	Piston assy 4600/5600	
S/A24117-EU	Piston assy 4600/5600 LWU	
S/A27077-US	Piston assy 4600SXT/5600SXT/6600/6700 DF	
S/A24115	S&S Kit residential	
S/A24509-01	Mixing assy residential	
S/A29102	Meter cover assy 8 m <sup>3</sup> with impeller	
S/A24107	Meter assy ¾" 8 m <sup>3</sup> plastic	
S/A60626-01	Meter assy ¾" turbine SXT	
S/A13709	Coupling Assy residential/9000/9100	
S/A29110	Injector assy 5600 #0/1.2/0.25 (w/washer 0.8-1.5 GPM-BLFC 0.125)	
S/A29111	Injector assy 5600 #1/1.5/0.25 (w/ washer 2 & 2.4)	
S/A29112	Injector assy 5600 #2/3.5/0.50 (w/ washer 4)	
S/A24114	BV assy 1600 Residential	
S/A22359SP	Hose Barb Straight Hot Water (10 pc)	
S/A29115	Injector service kit residential/9000/9100	
S/A29108	4600/5600 SXT service kit	
S/A12794-01SP	Elbow ¾"x ¾" (10 pc)	
S/A19699SP	Hose Barb 45° (10 pc)	
S/A18280SP	Top distributor 1" grey (10 pc)	

## PARTS FOR OTHER VALVE CONFIGURATIONS

Code	Description	€
S/A19152SP	Flow washer 0.8 GPM (10 pc)	
S/A12085SP	Flow washer 1.2 GPM (10 pc)	
S/A12088SP	Flow washer 2.4 GPM (10 pc)	
S/A12090SP	Flow washer 3.5 GPM (10 pc)	
S/A12091SP	Flow washer 4 GPM (10 pc)	
S/A17814SP	Flow washer 6 GPM (10 pc)	
S/A12408SP	Flow washer 7 GPM (10 pc)	
S/A17943SP	Flow washer 8 GPM (10 pc)	
S/A17944SP	Flow washer 9 GPM (10 pc)	
S/A16529SP	Flow washer 10 GPM (5 pc)	
S/A16736SP	Flow washer 15 GPM (5 pc)	
S/A16528SP	Flow washer 20 GPM (5 pc)	
S/A16737SP	Flow washer 25 GPM (5 pc)	
S/A17307SP	Flow washer BLFC 0.125 GPM (10pc)	
S/A12095SP	Flow washer BLFC 0.50 GPM (10pc)	
S/A12097SP	Flow washer BLFC 1 GPM dia 7.5 mm (10 pc)	
S/A19151SP	Washer 1.0 GPM dia 17.5 mm (10 pc)	
S/A18332-0.12	BLFC 0,12 assy 1600	
S/A18332-0.25	BLFC 0,25 assy 1600	
S/A18332-1	BLFC 1 assy 1600	
S/A29139	Injector nozzle & throat #000 Brown (10 pc)	
S/A29140	Injector nozzle & throat #00 Violet (10 pc)	
S/A29142	Injector nozzle & throat #0 red (10 pc)	
S/A29143	Injector nozzle & throat #1 White (10 pc)	
S/A29144	Injector nozzle & throat #2 Blue (10 pc)	
S/A29145	Injector nozzle & throat #3 Yellow (10 pc)	
S/A29151	Kit injector for filter customization	

## POWER HEAD 4600/5600 MECHANICAL/SXT

Code	Description	€
S/ABR43346-EO	Circuit board SXT programmed eco	
S/A40422SP	Wire Nut Tan (50 pc)	
S/A25329	Drive Motor assy 24V/50-60Hz	
S/A26775	Timer Motor Assy 230V/50Hz 1/30 RPM	
S/A24378SP	Green Light 4600/5600 230V (10 pc)	
S/A10218SP	Microswitch (5 pc)	
S/ABU28597	Kit transfo 10 VA 400 mA resid	

## PARTS FOR OBSOLETE MODELS

Code	Description	€
S/A26776	Timer motor assy 230V/50Hz 1/15 RPM	
S/A26779	Timer motor assy 24V/50Hz 1/15 RPM	
S/A24545	Kit Meter cable assy 4600/5600 8 & 40 m <sup>3</sup> immediate	
S/A18090	24H Hours Gear (2x12) assy Fast Regen	

## SPARE PARTS 5800

Code	Description	€
S/ABR61837	Piston assy 5800 DF	
S/ABR61838	Piston assy 5800 UF	
S/A29152	Kit O-rings tank adapter 5800/5000/9100/2510 (10 pc)	
S/A21511SP	Hose Barb 90° ½" x ½", black grey (10 pc)	
S/A24078-1.5	DLFC & Hose Barb (Bent) 2510/5800 1.5 GPM	
S/A24078-3.5	DLFC & Hose Barb (Bent) 2510/5800 3.5 GPM	
S/A24509-01	Mixing assy residential	
S/A24114	BV assy 1600 Residential	
S/A13709	Coupling Assy residential/9000/9100	
S/A60626-01	Meter assy ¾" turbine SXT	
S/A29153	Injector kit 5800 DF #000 to 3	
S/A29154	Injector kit 5800 UF #000 to 3	
S/A18280SP	Top distributor 1" grey (10 pc)	
S/A12794-01SP	Elbow ¾"x ¾" (10 pc)	
S/A19699SP	Hose Barb 45° (10 pc)	

## POWER HEAD 5800/5810/5812

Code	Description	€
S/ABR61832-01	Cover assy 5800/5810/5812 black/black	
S/A43262-00SP	Bezel 5800 Blue (10 pc)	
S/A43262-02SP	Bezel 5800 Silver (10 pc)	
S/A62076	Timer assy 5800 Typhoon SXT	
S/ABR61833-01	Timer assy 5800 Storm LXT TC	
S/ABR61833-03	Timer assy 5800 Storm LXT TC UF	
S/ABR61833-04	Timer assy 5800 Storm LXT eco UF	
S/A61931-03	Timer assy 5800 Hurricane XTR w/ Pentair Logo	
S/ABR44162	Transformer intl 230VAC-12VDC 5800	



## SPARE PARTS 9000

Code	Description	€
S/APH900SI-001	PH 9000/9100 SXT	
S/APH900MI-003	PH 9000/9100 Mechanical 1" 20 m <sup>3</sup>	
S/APH900MI-004	PH 9000/9100 Mechanical 1" 100 m <sup>3</sup>	
S/A24115	S&S kit residential	
S/A24944	S&S kit 4600/9000 HW upper	
S/A26013	S&S kit 9000 HW upper & lower	
S/A25642	S&S kit 9000/9100 upper & lower	
S/A24238	Second Tank Adapt Assy 9000	
S/A24526	Brine Valve 1600 assy 9000/9100	
S/A21511SP	Hose Barb 90° ½" x ½", black grey (10 pc)	
S/A29115	Injector service kit residential/9000/9100	
S/A29171	Injector assy 9000 #1/2.4/0.50 (w/washer 1.5 - BLFC 0.25)	
S/A29172	Injector assy 9000 #2/3.5/1 (w/washer 2.4 & 4.0 - BLFC 0.50)	
S/A24107	Meter assy ¾" 8 m <sup>3</sup> plastic	
S/A29102	Meter cover assy 8 m <sup>3</sup> with impeller	
S/A24106	Meter assy ¾" 40 m <sup>3</sup> plastic 9000/9100	
S/A26702	Meter assy ¾" Electronic	
S/A29120	Meter cover assy brass extended with impeller	
S/A28533SP	Screw (10 pc)	
S/A15078-01	Coupling assy 9000	
S/A13398-10	Yoke brass 1" BSP - See accessories section	
S/A1812x	Kit flexible 2nd tank adapter - See accessories section	
S/A12794-01SP	Elbow ⅜" x ⅜" (10 pc)	
S/A18280SP	Top distributor 1" grey (10 pc)	
S/A18280-10SP	Top distributor 1" HW black (10 pc)	
S/AKIT 51	Kit Accessories 1600 with BV44/AC500	
S/AKIT 160	Kit Meter Test All valve (except 3900)	
S/A29072	UPK9000/9100Mech.PHW/oTimer,USpiston,S&S	
S/A29073	UPK 9000/9100 SXT PH,USpiston,S&S	

## PARTS FOR OTHER VALVE CONFIGURATIONS

Code	Description	€
S/A19152SP	Flow washer 0.8 GPM (10 pc)	
S/A12085SP	Flow washer 1.2 GPM (10 pc)	
S/A12088SP	Flow washer 2.4 GPM (10 pc)	
S/A12090SP	Flow washer 3.5 GPM (10 pc)	
S/A12091SP	Flow washer 4 GPM (10 pc)	
S/A17814SP	Flow washer 6 GPM (10 pc)	
S/A12408SP	Flow washer 7 GPM (10 pc)	
S/A17943SP	Flow washer 8 GPM (10 pc)	
S/A17944SP	Flow washer 9 GPM (10 pc)	
S/A16529SP	Flow washer 10 GPM (5 pc)	
S/A16736SP	Flow washer 15 GPM (5 pc)	
S/A16528SP	Flow washer 20 GPM (5 pc)	
S/A16737SP	Flow washer 25 GPM (5 pc)	
S/A17307SP	Flow washer BLFC 0.125 GPM (10pc)	
S/A12095SP	Flow washer BLFC 0.50 GPM (10pc)	
S/A12097SP	Flow washer BLFC 1 GPM dia 7.5 mm (10 pc)	
S/A19151SP	Flow washer 1 GPM (10 pc)	
S/A18332-0.12	BLFC assy 1600 0.125 GPM	
S/A18332-0.25	BLFC assy 1600 0.25 GPM	
S/A18332-1	BLFC assy 1600 1 GPM	
S/A29139	Injector nozzle & throat #000 Brown (10 pc)	
S/A29140	Injector nozzle & throat #00 Violet (10 pc)	
S/A29142	Injector nozzle & throat #0 Red (10 pc)	
S/A29143	Injector nozzle & throat #1 White (10 pc)	
S/A29144	Injector nozzle & throat #2 Blue (10 pc)	
S/A29145	Injector nozzle & throat #13 Yellow (10 pc)	

## SPARE PARTS 9100

Code	Description	€
S/APH900SI-001	PH 9000/9100 SXT	
S/APH900MI-003	PH 9000/9100 Mechanical 1" 20 m <sup>3</sup>	
S/APH900MI-004	PH 9000/9100 Mechanical 1" 100 m <sup>3</sup>	
S/A24115	S&S kit residential	
S/A25642	S&S kit 9000/9100 upper & lower	
S/A29152	Kit O-rings tank adapter 5800/5000/9100/2510 (10 pc)	
S/A24526	Brine Valve 1600 assy 9000/9100	
S/A21511SP	Hose Barb 90° ½" x ½", black grey (10 pc)	
S/A29115	Injector service kit residential/9000/9100	
S/A29177	Injector assy 9100 #1/2/0.50 (w/washer 1.5 & 2.4 - BLFC 0.25)	
S/A24107	Meter assy ¾" 8 m <sup>3</sup> plastic	
S/A29102	Meter cover assy 8 m <sup>3</sup> with impeller	
S/A24106	Meter assy ¾" 40 m <sup>3</sup> plastic 9000/9100	
S/A26702	Meter assy ¾" Electronic	
S/A29120	Meter cover assy brass extended with impeller	
S/A28533SP	Screw (10 pc)	
S/A15078-01	Coupling assy 9000	
S/A13398-10	Yoke brass 1" BSP - See accessories section	
S/A28243-xx	Tube Connector 9100 assy - See accessories section	
S/A40678SP	Ring 9100 Yoke Retainer (12 pc)	
S/A24509-01	Mixing assy residential	
S/A18280SP	Top distributor 1" grey (10 pc)	
S/A29072	UPK9000/9100Mech.PHW/oTimer,USpiston,S&S	
S/A29073	UPK 9000/9100 SXT PH,USpiston,S&S	
S/A12794-01SP	Elbow ¾"x ¾" (10 pc)	
S/AKIT 160	Kit Meter Test All valve (except 3900)	

## PARTS FOR OTHER VALVE CONFIGURATIONS

Code	Description	€
S/A19152SP	Flow washer 0.8 GPM (10 pc)	
S/A12085SP	Flow washer 1.2 GPM (10 pc)	
S/A12088SP	Flow washer 2.4 GPM (10 pc)	
S/A12090SP	Flow washer 3.5 GPM (10 pc)	
S/A12091SP	Flow washer 4 GPM (10 pc)	
S/A17814SP	Flow washer 6 GPM (10 pc)	
S/A12408SP	Flow washer 7 GPM (10 pc)	
S/A17943SP	Flow washer 8 GPM (10 pc)	
S/A17944SP	Flow washer 9 GPM (10 pc)	
S/A16529SP	Flow washer 10 GPM (5 pc)	
S/A16736SP	Flow washer 15 GPM (5 pc)	
S/A16528SP	Flow washer 20 GPM (5 pc)	
S/A16737SP	Flow washer 25 GPM (5 pc)	
S/A17307SP	Flow washer BLFC 0.125 GPM (10pc)	
S/A12095SP	Flow washer BLFC 0.50 GPM (10pc)	
S/A12097SP	Flow washer BLFC 1 GPM dia 7.5 mm (10 pc)	
S/A19151SP	Flow washer 1 GPM (10 pc)	
S/A18332-0.12	BLFC 0.125 assy 1600	
S/A18332-0.25	BLFC 0.25 assy 1600	
S/A18332-1	BLFC 1 assy 1600	
S/A29139	Injector nozzle & throat #000 Brown (10 pc)	
S/A29140	Injector nozzle & throat #00 Violet (10 pc)	
S/A29142	Injector nozzle & throat #0 Red (10 pc)	
S/A29143	Injector nozzle & throat #1 White (10 pc)	
S/A29144	Injector nozzle & throat #2 Blue (10 pc)	
S/A29145	Injector nozzle & throat #3 Yellow (10 pc)	

## SPARE PARTS 9500

Code	Description	€
S/APH950SI-001	PH 9500 SXT	
S/A18052-US	Piston assy 9500 upper	
S/A18053-US	Piston assy 9500 lower	
S/ABU28685	S&S Kit Plastic 9500 upper	
S/ABU28686	S&S Kit Plastic 9500 lower	
S/A29180	Kit O-rings tank adapter 9500/2850 (10 pc)	
S/A28137-xx	Kit copper tubes 2nd tank adapter - xx - See accessories section	
S/ABU28798-1	BV 1650 1 GPM & tube 9500	
S/ABU28618-2	BV 1700 2 GPM & tube 9500 HW	
S/ABU28612-2	BV 1710 2 GPM & tube 9500	
S/ABU28612-4	BV 1710 4 GPM & tube 9500	
S/A29221	Kit elbow fitting male 1/2 tube x 3/8NPT (10 pc)	
S/A29181	Injector assy 1650 #3 (#2 #1) 9500/2510/2750/2850/2910	
S/A29182	Injector assy 1700/1710 #4C (#3C #5C) 9500/2750/2850/2910	
S/A29248	Injector assy 1600 HW #2 (#0 #1 #3) 9500	
S/A29183	Injector service kit 1650 9500/2510/2750/2850/2910 DF	
S/A29184	Injector service kit 1710 9500/2750/2850/2910 DF	
S/A61936	Meter Cover 1 to 3" for SS Mech.Elect.	
S/A29092	Meter Assy SS 1.5" BSP Mech. 200m3	
S/A29071	UPK 9500 SXT PH,USpiston,S&S	
S/A12794-01SP	Elbow 3/8"x 3/8" (10 pc)	
S/AKIT 51	Kit Accessories 1600 with BV44/AC500	
S/AKIT 57	Kit Accessories 1700/1710 with CAC 900	
S/AKIT 160	Kit Meter Test All valve (except 3900)	

## PARTS FOR OBSOLETE MODELS

Code	Description	€
S/A29075	S&S Kit 9500 HW upper	
S/A29076	S&S Kit 9500 HW lower	

## PARTS FOR OTHER VALVE CONFIGURATIONS

Code	Description	€
S/A19152SP	Flow washer 0.8 GPM (10 pc)	
S/A12085SP	Flow washer 1.2 GPM (10 pc)	
S/A12088SP	Flow washer 2.4 GPM (10 pc)	
S/A12090SP	Flow washer 3.5 GPM (10 pc)	
S/A12091SP	Flow washer 4 GPM (10 pc)	
S/A17814SP	Flow washer 6 GPM (10 pc)	
S/A12408SP	Flow washer 7 GPM (10 pc)	
S/A17943SP	Flow washer 8 GPM (10 pc)	
S/A17944SP	Flow washer 9 GPM (10 pc)	
S/A16529SP	Flow washer 10 GPM (5 pc)	
S/A16736SP	Flow washer 15 GPM (5 pc)	
S/A16528SP	Flow washer 20 GPM (5 pc)	
S/A16737SP	Flow washer 25 GPM (5 pc)	
S/A12095SP	Flow washer BLFC 0.50 GPM (10pc)	
S/A12097SP	Flow washer BLFC 1 GPM dia 7.5 mm (10 pc)	
S/A19151SP	Flow washer 1 GPM (10 pc)	
S/A29139	Injector nozzle & throat #000 Brown (10 pc)	
S/A29140	Injector nozzle & throat #00 Violet (10 pc)	
S/A29142	Injector nozzle & throat #0 Red (10 pc)	
S/A29143	Injector nozzle & throat #1 White (10 pc)	
S/A29144	Injector nozzle & throat #2 Blue (10 pc)	
S/A29145	Injector nozzle & throat #3 Yellow (10 pc)	
S/A29225	Injector nozzle & throat 1700/1710 #3C Yellow (10 pc)	
S/A29226	Injector nozzle & throat 1700/1710 #4C Green (10 pc)	

Code	Description	€
S/A29227	Injector nozzle & throat 1700/1710 #5C White (10 pc)	
S/A25500-0.50	BLFC assy 0.50 GPM 1600 Industrial	
S/A25171-2	DLFC 1" NPT - 3/4 " BSP assy 2 GPM 2850/2910/9500	
S/A25171-3	DLFC 1" NPT - 3/4 " BSP assy 3 GPM 2850/2910/9500	
S/A25171-4	DLFC 1" NPT - 3/4 " BSP assy 4 GPM 2850/2910/9500	
S/A25171-5	DLFC 1" NPT - 3/4 " BSP assy 5 GPM 2850/2910/9500	
S/A25581-10	DLFC 1" NPT - 3/4 " BSP assy 10 GPM 2850/2910/9500	
S/A19152SP	Flow washer 8.8 GPM (10 pc)	

## POWER HEAD 9000/9100/9500

Code	Description	€
P/N19291-020	Cover 9000/9100/9500 Black	
S/A40422SP	Wire Nut Tan (50 pc)	
S/A19121-02SP	Meter cable ET 0.5 m (5 pc)	
S/ABU28597	Kit transfo 10 VA 400 mA resid	
S/A10218SP	Microswitch (5 pc)	
S/A16433SP	Microswitch 9000/9100/9500 (5 pc)	
S/A26503-24	Drive Motor Assy 24V 50/60 Hz Twin	
S/A29237	Repair kit drive gears/geneva wheel 9000/9100/9500	
S/ABR43346-E0	Circuit board SXT programmed eco	

## SPARE PARTS 2750

Code	Description	€
S/APH275NC-002	PH 2750/2850 NXT2 24 VDC-50/60Hz	
S/APH275XC-001	PH 2510/2750/2850 no timer with aux micro wired/wiring std	
S/A24202-10	DLFC 3/4" NPT - 3/4" BSP 2750	
S/A24202-20	DLFC 3/4" NPT - 3/4" BSP 2750	
S/A24212-1.5	DLFC 3/4" NPT - 1/2" NPT 2750/2900	
S/A24212-2.4	DLFC 3/4" NPT - 1/2" NPT 2750/2900	
S/A24212-3	DLFC 3/4" NPT - 1/2" NPT 2750/2900	
S/A24212-3.5	DLFC 3/4" NPT - 1/2" NPT 2750/2900	
S/A24212-4	DLFC 3/4" NPT - 1/2" NPT 2750/2900	
S/A24212-7	DLFC 3/4" NPT - 1/2" NPT 2750/2900	
S/A29221	Kit elbow fitting male 1.2T x 3/8NPT (10 pc)	
S/A29181	Injector assy 1650 #3 (#2 #1) 9500/2750/2850/2910	
S/A29248	Injector assy 1600 HW #2 (#0 #1 #3) 9500/2750/2850/2910	
S/A29182	Injector assy 1700/1710 #4C (#3C #5C) 9500/2750/2910	
S/A29183	Injector service kit 1650 9500/2510/2750/2850/2910 DF	
S/A29184	Injector service kit 1710 9500/2750/2850/2910 DF	
S/A29253	Meter cover assy 40m3 with impeller 2750	
S/A28533SP	Screw (10 pc)	
S/A61936	Meter Cover 1 to 3" for SS Mech.Elect.	
S/A29090	Meter Assy SS 1" BSP Mech. 100m3	
S/A24067-US	Piston assy 2510/2750/2900 Std/HW	
S/A26495-00	Piston assy 2510/2750 NBP	
S/A26495-01	Kit piston assy 2750 NBP filter	
S/A26495-03	Kit piston assy 2750 NBP 1700/1710	
S/A28415	S&S kit 2510/2750/2900 upper DF	
S/ABU28414	S&S kit 2750/2900/2910 upper HW	
S/A21361SP	Screw TCHCM 8x16 (50 pc)	
S/A24994-1	BV 1600 assy 2750 WBP/2910 HW 1 GPM	
S/A24994-0.50	BV 1600 assy 2750 WBP/2910 HW 0.50 GPM	
S/ABU28797-0.25	BV 1650 assy 2750NBP/2850/2910 0.25 GPM	
S/ABU28797-1	BV 1650 assy 2750NBP/2850/2910 1 GPM	
S/A26990-1.2	BV 1700 assy 2750WBP HW 1.2 GPM	

## SPARE PARTS 2750

Code	Description	€
S/A26990-4	BV 1700 assy 2750WBP HW 4 GPM	
S/A26990-7	BV 1700 assy 2750WBP HW 7 GPM	
S/A18092-0.25	Kit BV 1600 & BLFC assy indus	
S/A18092-1	Kit BV 1600 & BLFC assy indus	
S/A26677-1	Kit BV 1650 assy 1 GPM	
S/A24181-1.2	Kit BV 1700 assy	
S/A24181-2	Kit BV 1700 assy	
S/A24181-4	Kit BV 1700 assy	
S/A28423-2	BV 1710 2 GPM except 9500	

## PARTS FOR OBSOLETE MODELS

Code	Description	€
S/A24250	Meter assy ¾" 8 m <sup>3</sup> 2750	

## PARTS FOR OTHER VALVE CONFIGURATIONS

Code	Description	€
S/A19152SP	Flow washer 0.8 GPM (10 pc)	
S/A12085SP	Flow washer 1.2 GPM (10 pc)	
S/A12088SP	Flow washer 2.4 GPM (10 pc)	
S/A12090SP	Flow washer 3.5 GPM (10 pc)	
S/A12091SP	Flow washer 4 GPM (10 pc)	
S/A17814SP	Flow washer 6 GPM (10 pc)	
S/A12408SP	Flow washer 7 GPM (10 pc)	
S/A17943SP	Flow washer 8 GPM (10 pc)	
S/A17944SP	Flow washer 9 GPM (10 pc)	
S/A16529SP	Flow washer 10 GPM (5 pc)	
S/A16736SP	Flow washer 15 GPM (5 pc)	
S/A16528SP	Flow washer 20 GPM (5 pc)	
S/A16737SP	Flow washer 25 GPM (5 pc)	
S/A19151SP	Flow washer 1 GPM (10 pc)	
S/A29143	Injector nozzle & throat #1 White (10 pc)	
S/A29144	Injector nozzle & throat #2 Blue (10 pc)	
S/A29145	Injector nozzle & throat #3 Yellow (10 pc)	
S/A29225	Injector nozzle & throat 1700/1710 #3C Yellow (10 pc)	
S/A29226	Injector nozzle & throat 1700/1710 #4C Green (10 pc)	
S/A29227	Injector nozzle & throat 1700/1710 #5C White (10 pc)	
S/A25500-0.50	BLFC assy 0.50 GPM 1600 Industrial	

## SPARE PARTS 2850

Code	Description	€
S/APH275NC-002	PH 2750/2850 NXT2 24 VDC-50/60Hz	
S/APH275XC-001	PH 2510/2750/2850 no timer with aux micro wired/wiring std	
S/ABU28797-0.25	BV 1650 assy 2750NBP/2850/2910 0.25 GPM	
S/ABU28797-1	BV 1650 assy 2750NBP/2850/2910 1 GPM	
S/A26992-1.2	BV 1700 assy 2850 NBP 1.2 GPM	
S/ABU28610-2	BV 1710 2750 NBP/2850 WBP/2910 2 GPM	
S/ABU28610-4	BV 1710 2750 NBP/2850 WBP/2910 4 GPM	
S/A18092-0.25	Kit BV 1600 & BLFC assy indus	
S/A18092-1	Kit BV 1600 & BLFC assy indus	
S/A26677-1	Kit BV 1650 assy 1 GPM	
S/A24181-1.2	Kit BV 1700 assy	
S/A24181-2	Kit BV 1700 assy	
S/A24181-4	Kit BV 1700 assy	
S/A28423-2	BV 1710 2 GPM except 9500	
S/A26494-00	Piston assy 2850 NBP	
S/A25155	Piston assy 2850	
S/A26494-01	Kit piston assy 2850 NBP filter	
S/A26494-02	Kit piston assy 2850 NBP 1600	
S/ABU28684	Kit S&S Plastic 2850	
S/A29074	Kit S&S 2850 HW	
S/A29180	Kit O-rings tank adapter 9500/2850 (10 pc)	
S/A29221	Kit elbow fitting male 1.2T x 3/8NPT (10 pc)	
S/A29181	Injector assy 1650 #3 (#2 #1) 9500/2750/2850/2910	
S/A29248	Injector assy 1600 HW #2 (#0 #1 #3) 9500/2750/2850/2910	
S/A29183	Injector service kit 1650 9500/2510/2750/2850/2910 DF	
S/A29184	Injector service kit 1710 9500/2750/2850/2910 DF	
S/A29090	Meter Assy SS 1" BSP Mech. 100m <sup>3</sup>	
S/A29092	Meter Assy SS 1.5" BSP Mech. 200m <sup>3</sup>	
S/A61936	Meter Cover 1 to 3" for SS Mech.Elect.	

## PARTS FOR OTHER VALVE CONFIGURATIONS

Code	Description	€
S/A19152SP	Flow washer 0.8 GPM (10 pc)	
S/A12085SP	Flow washer 1.2 GPM (10 pc)	
S/A12088SP	Flow washer 2.4 GPM (10 pc)	
S/A12090SP	Flow washer 3.5 GPM (10 pc)	
S/A12091SP	Flow washer 4 GPM (10 pc)	
S/A17814SP	Flow washer 6 GPM (10 pc)	
S/A12408SP	Flow washer 7 GPM (10 pc)	
S/A17943SP	Flow washer 8 GPM (10 pc)	
S/A17944SP	Flow washer 9 GPM (10 pc)	
S/A16529SP	Flow washer 10 GPM (5 pc)	
S/A16736SP	Flow washer 15 GPM (5 pc)	
S/A16528SP	Flow washer 20 GPM (5 pc)	
S/A16737SP	Flow washer 25 GPM (5 pc)	
S/A19151SP	Flow washer 1 GPM (10 pc)	
S/A29143	Injector nozzle & throat #1 White (10 pc)	
S/A29144	Injector nozzle & throat #2 Blue (10 pc)	
S/A29145	Injector nozzle & throat #3 Yellow (10 pc)	
S/A29225	Injector nozzle & throat 1700/1710 #3C Yellow (10 pc)	
S/A29226	Injector nozzle & throat 1700/1710 #4C Green (10 pc)	
S/A29227	Injector nozzle & throat 1700/1710 #5C White (10 pc)	
S/A25500-0.50	BLFC assy 0.50 GPM 1600 Industrial	
S/A25171-2	DLFC 1" NPT - 3/4" BSP Assy 2 GPM 2850/2910/9500	
S/A25171-3	DLFC 1" NPT - 3/4" BSP Assy 3 GPM 2850/2910/9500	
S/A25171-4	DLFC 1" NPT - 3/4" BSP Assy 4 GPM 2850/2910/9500	
S/A25171-5	DLFC 1" NPT - 3/4" BSP Assy 5 GPM 2850/2910/9500	
S/A25581-10	DLFC 1" NPT - 3/4" BSP assy 2850/2910/9500	
S/A25581-ALL	DLFC kit 1" 2850/9500 10 to 25 GPM	



## SPARE PARTS 2910

Code	Description	€
S/APH291NC-003	PH 2910 NXT2 24VDC-50/60HZ	
S/APH2910-002	PH 2910 adapter for NXT/NXT2 24VDC-50/60Hz	
S/A29221	Kit elbow fitting male 1.2T x 3/8NPT (10 pc)	
S/A29181	Injector assy 1650 #3 (#2 #1) 9500/2750/2850/2910	
S/A29248	Injector assy 1600 HW #2 (#0 #1 #3) 9500/2750/2850/2910	
S/A29182	Injector assy 1700/1710 #4C (#3C #5C) 9500/2750/2850/2910	
S/A29183	Injector service kit 1650 9500/2510/2750/2850/2910 DF	
S/A29184	Injector service kit 1710 9500/2750/2850/2910 DF	
S/ABU28797-0.25	BV 1650 assy 2750NBP/2850/2910 0.25 GPM	
S/ABU28797-1	BV 1650 assy 2750NBP/2850/2910 1 GPM	
S/aBU28610-2	BV 1710 2750 NBP/2850 WBP/2910 2 GPM	
S/ABU28610-4	BV 1710 2750 NBP/2850 WBP/2910 4 GPM	
S/A24994-1	BV 1600 assy 2750 WBP/2910 HW 1 GPM	
S/A24994-0.50	BV 1600 assy 2750 WBP/2910 HW 0.50 GPM	
S/A29094	Meter Assy SS 2" BSP Mech. 75m3/Electr.	
S/A61936	Meter Cover 1 to 3" for SS Mech.Elect.	
S/A24205	S&S kit 2900/2910 lower	
S/A26107	S&S kit 2900/2910 lower HW	
S/A28412-US	Piston assy 2900/2910 Lower WBP	
S/A28413-US	Piston assy 2900/2910 Lower NBP	
S/A28415	S&S kit upper	
S/ABU28414	S&S kit 2750/2900/2910 upper HW	
S/A28416-US	Piston assy 2910 Upper	
S/A28417	Piston assy 2910 Upper Up Flow	
S/A18092-0.25	Kit BV 1600 & BLFC assy indus	
S/A18092-1	Kit BV 1600 & BLFC assy indus	
S/A26677-1	Kit BV 1650 assy 1 GPM	
S/A24181-1.2	Kit BV 1700 assy	
S/A24181-2	Kit BV 1700 assy	
S/A24181-4	Kit BV 1700 assy	
S/A28423-2	BV 1710 2 GPM except 9500	

## PARTS FOR OTHER VALVE CONFIGURATIONS

Code	Description	€
S/A25171-2	DLFC 1" NPT - 3/4" BSP assy 2 GPM	
S/A25171-3	DLFC 1" NPT - 3/4" BSP assy 3 GPM	
S/A25171-4	DLFC 1" NPT - 3/4" BSP assy 4 GPM	
S/A25171-5	DLFC 1" NPT - 3/4" BSP assy 5 GPM	
S/A25581-10	DLFC 1" NPT - 3/4in BSP assy 2850/2910/9500	
S/A25581-ALL	Kit DLFC 1" 2850/2910/9500 10 to 25 GPM	

## POWER HEAD 2910 ADAPTER

Code	Description	€
S/A21361SP	Screw TCHCM 8x16 (50 pc)	
S/A26218-01	Cover assy 2900/2910 lower grey	
S/A29208	Motor assy 2910 lower 24VAC/DC-50/60Hz	

## POWER HEAD 2510/2750/2850/2910 UPPER

Code	Description	€
P/N26260	Transfo 60VA (for mechanical/SXT/NXT version)	
S/A25348	Guide cable & cable assy 2750 ¾"	
S/A25349	Guide cable & cable assy 2750 1"	
S/A27105	Guide cable & cable assy 2850 1 ½"	
S/A29205	Drive motor assy 2750/2850 24VAC/DC-50/60Hz	
S/A29206	Drive motor assy 2910 DF 24VAC/DC-50/60Hz	
S/ABR43346-E0	Circuit board SXT programmed eco	
S/ABU28713	Timer assy NXT	
S/A29194	Timer assy NXT2	
S/A40422SP	Wire Nut Tan (50 pc)	

## PARTS FOR OBSOLETE MODELS

Code	Description	€
S/A19121-10	Meter cable NXT 7.7 m	
S/ABU28713	Timer assy NXT	

## SPARE PARTS 3150

Code	Description	€
S/A18023	Tank Adapt Assy 3150 SM - See accessories section	
S/A18024	Tank adapt assy 3150 TM - See accessories section	
S/A29094	Meter Assy SS 2" BSP Mech. 75m3/Electr.	
S/A61936	Meter Cover 1 to 3" for SS Mech.Elect.	
S/A26745-5	BV & Injector 1800 Assy 3150/3900 DF	
S/A26745-6	BV & Injector 1800 Assy 3150/3900 DF	
S/A26745-7	BV & Injector 1800 Assy 3150/3900 DF	
S/A26745-8	BV & Injector 1800 Assy 3150/3900 DF	
S/A26745-9	BV & Injector 1800 Assy 3150/3900 DF	
S/A26745-10	BV & Injector 1800 Assy 3150/3900 DF	
S/A60106-00-US	Piston assy 3150/3900 Upper DF	
S/A60106-10	Piston assy 3150/3900 Upper UF	
S/A60113-01-US	Piston assy 3150 NBP - DF	
S/A18022	S&S kit 3150/3900 Upper	
S/A28339	S&S Kit 3150/3900 Upper HW	
S/A26754	BV 1800 assy 3150/3900	
S/A26755-4	Inj assy 1800 3150/3900 DF	
S/A26755-6	Inj assy 1800 3150/3900 DF	
S/A26755-10	Inj assy 1800 3150/3900 DF	
S/A13575-01SP	O-ring 560 CD Top of Tank - (5 pc)	

## PARTS FOR OTHER VALVE CONFIGURATIONS

Code	Description	€
S/A12090SP	Flow washer 3.5 gpm (10 pc)	
S/A12408SP	Flow washer 7 gpm (10 pc)	
S/A16529SP	Flow washer 10 gpm (5 pc)	
S/A16736SP	Flow washer 15 gpm (5 pc)	
S/A16528SP	Flow washer 20 gpm (5 pc)	
S/A16737SP	Flow washer 25 gpm (5 pc)	
S/A29275	Injector nozzle & throat 1800 # 4 Green	
S/A28388-7	BLFC assy 1" 1800 7 gpm	
S/A28388-10	BLFC assy 1" 1800 10 gpm	
S/A26219-4	Inj assy 1800 3150/3900 UF # 4	
S/A26219-7	Inj assy 1800 3150/3900 UF # 7	
S/A25580-85	DLFC 2" BSP - 2" BSP assy 85 GPM 3150/3900	
S/A25580-ALL	DLFC Kit 2" 3150/3900 30 to 100 GPM 3150/3900	

## SPARE PARTS 3900

Code	Description	€
S/A18925	Tank adapt assy 3900 TM flanged 6" - See accessories section	
S/A18926	Tank adapt assy 3900 SM - See accessories section	
S/A61936	Meter Cover 1 to 3" for SS Mech.Elect.	
S/A29081	Meter assy SS 3" BSP Mechanical 1200m <sup>3</sup>	
S/A26745-5	BV & Injector 1800 Assy 3150/3900 DF	
S/A26745-6	BV & Injector 1800 Assy 3150/3900 DF	
S/A26745-7	BV & Injector 1800 Assy 3150/3900 DF	
S/A26745-8	BV & Injector 1800 Assy 3150/3900 DF	
S/A26745-9	BV & Injector 1800 Assy 3150/3900 DF	
S/A26745-10	BV & Injector 1800 Assy 3150/3900 DF	
S/A26652-7	BV & Injector 1800 Assy 3150/3900 UF	
S/A60106-00-US	Piston assy 3150/3900 Upper DF	
S/A60106-10	Piston assy 3150/3900 Upper UF	
S/A18022	S&S kit 2930/3150/3900 Upper	
S/A28339	S&S Kit 3150/3900 Upper HW	
S/A60107-00	Piston assy 3900 Lower WBP	
S/A60107-10	Piston assy 3900 Lower NBP	
S/A18064	S&S kit 3900 lower	
S/A26754	BV 1800 assy 3150/3900	
S/A26755-4	Inj assy 1800 3150/3900 DF	
S/A26755-6	Inj assy 1800 3150/3900 DF	
S/A26755-10	Inj assy 1800 3150/3900 DF	

## PARTS FOR OTHER VALVE CONFIGURATIONS

Code	Description	€
S/A12090SP	Flow washer 3.5 gpm (10 pc)	
S/A12408SP	Flow washer 7 gpm (10 pc)	
S/A16529SP	Flow washer 10 gpm (5 pc)	
S/A16736SP	Flow washer 15 gpm (5 pc)	
S/A16528SP	Flow washer 20 gpm (5 pc)	
S/A16737SP	Flow washer 25 gpm (5 pc)	
S/A29275	Injector nozzle & throat 1800 # 4 Green	
S/A28388-7	BLFC assy 1" 1800 7 gpm	
S/A28388-10	BLFC assy 1" 1800 10 gpm	
S/A26219-4	Inj assy 1800 3150/3900 UF # 4	
S/A26219-7	Inj assy 1800 3150/3900 UF # 7	
S/A25580-85	DLFC 2" BSP - 2" BSP assy 85 GPM 3150/3900	
S/A25580-ALL	DLFC Kit 2" 3150/3900 30 to 100 GPM 3150/3900	

## POWER HEAD 3150/3900 UPPER

Code	Description	€
S/A26259	Transfo 105VA 3900 (for mechanical/NXT version)	
P/N26260	Transfo 60VA (for mechanical/SXT/NXT version)	
S/ABU28713	Timer assy NXT	
S/A10218SP	Microswitch (5 pc)	
S/A29212	Drive motor assy 3150/3900 24VAC/DC-50/60Hz	
S/A21361SP	Screw TCHCM 8x16 (50 pc)	
S/A11080SP	Screw Flat Head (50 pc)	
S/A40396	Harness 3150/3900 upper (not shown)	

## PARTS FOR OBSOLETE MODELS

Code	Description	€
S/ABU28713	Timer assy NXT 3200	

## POWER HEAD 3900 ADAPTER

Code	Description	€
S/A10218SP	Microswitch (5 pc)	
S/A29212	Drive motor assy 3150/3900 24VAC/DC-50/60Hz	
S/A11080SP	Screw Flat Head (50 pc)	
S/A21361SP	Screw TCHCM 8x16 (50 pc)	

## MECHANICAL TIMER 3200 SERIES/9000 SERIES

Code	Description	€
S/A10896SP	Microswitch (5 pc)	
S/A13902	Harness timer 3200	
S/A24100	Skipper wheel assy 12 days	
S/A14860	Skipper wheel assy 7 days	
S/A15055SP	Main Drive Gear & Shaft (10 pc)	
S/A13911SP	Gear Main Drive Timer (10 pc)	
S/A26775	Timer motor assy 230V/50Hz 1/30 RPM	
S/A26779	Timer motor assy 24V/50Hz 1/15 RPM	
S/A24195	Kit meter cable assy 2750/3150/3900	
S/A24201	Pgm wheel assy 160 min	
S/A24119	Pgm wheel assy 8 m <sup>3</sup>	
S/A24580	Pgm wheel assy 8 m <sup>3</sup> 9000/9100	
S/A24120	Pgm wheel assy 40 m <sup>3</sup>	
S/A24914	Pgm wheel assy 20 m <sup>3</sup> 9000/9100	
S/A24915	Pgm wheel assy 40 m <sup>3</sup> 9000/9100/9500	
S/A14087SP	Insulator (50 pc)	
S/A15320SP	Microswitch (5 pc)	
S/A40422SP	Wire Nut Tan (50 pc)	
P/N13011	ARM cycle actuatur	
S/A13017SP	Idler Gear (10 pc)	
S/A13018SP	Idler Pinion (10 pc)	

## SPARE PARTS FOR OBSOLETE VALVES SPARE PARTS 5000 SXT

Code	Description	€
S/A24509-01	Mixing assy resid	
S/A29153	Injector kit 5800 DF #000 to 3	
S/A29154	Injector kit 5800 UF #000 to 3	
S/A29152	Kit O-rings tank adapter 5800/5000/9100/2510 (10 pc)	
S/A60626-01	Meter assy ¾" turbine SXT	
S/A13709	Coupling assy 2510/resid/9000	

## POWER HEAD 5000 SXT

Code	Description	€
P/N18260-00	Cover front smoke	
S/ABR43346-EO	Circuit board SXTprogrammed eco	
S/A14923SP	Screw Microswitch (50 pc)	
S/ABU28600	Wire harness power 4600/5000/5600	
S/A40422SP	Wire Nut Tan (50 pc)	
S/ABU28597	Kit transfo 10 VA 400 mA resid	

## SPARE PARTS 6600/6665 & 6700/6765

Code	Description	€
S/A27077-US	Piston assy 4600SXT/5600SXT/6600/6700 DF	
S/A24115	S&S Kit Residential	
S/A24509-01	Mixing assy residential	
S/A26702	Meter assy ¾" elect.	
S/A29110	Injector assy 5600 #0/1.2/0.25 (w/washer 0.8-1.5 GPM-BLFC 0.125)	
S/A29111	Injector assy 5600 #1/1.5/0.25 (w/ washer 2 & 2.4)	
S/A29112	Injector assy 5600 #2/3.5/0.50 (w/ washer 4)	
S/A10913-0000SP	Inj Nozzle White (10 pc)	

### POWER HEAD 6600

Code	Description	€
S/A25329	Retrofit kit drive motor assy 24V/50Hz 2 RPM	
S/A40422SP	Wire Nut Tan (50 pc)	
S/ABU28597	Kit transfo 10 VA 400 mA resid	

### POWER HEAD 6700

Code	Description	€
S/A25329	Retrofit kit drive motor assy 24V/50Hz 2 RPM	
S/ABU28597	Kit transfo 10 VA 400 mA resid	
S/A40422SP	Wire Nut Tan (50 pc)	

## SPARE PARTS 7700

Code	Description	€
S/A61452-10	Piston assy 7700 HF	
S/A26575	BV 1600 assy 7600/7700	
S/A28385-3	DLFC ¾" 3 GPM 7700	
S/A29161	Kit retainer and o-ring 32 mm (10 pc)	
P/N40577	Meter assy 1 ¼" elec 7700	

## SPARE PARTS 2510

Code	Description	€
S/A28415	S&S kit 2510/2750/2900 upper DF	
S/A26495-00	Piston assy 2510/2750 NBP	
S/A24067-US	Piston assy 2510/2750/2900 Std/HW	
S/APH275XC-001	PH 2510/2750/2850 no timer wired wirng std	
S/A29152	Kit O-rings tank adapter 5800/5000/9100/2510 (10 pc)	
S/A26677-1	Kit BV 1650 assy 1 GPM	
S/A60626-01	Meter assy ¾" turbine SXT	
S/A13386SP	Screw Hex Head (10 pc)	
S/A26674-0.50	BLFC assy 0.50 GPM 1650 2510	

## SPARE PARTS 5810

Code	Description	€
S/A61961	Kit mounting 5810 / 5812	
S/A61956-01	Piston & cartridge assy 5810 DF	
S/A61956-03	Piston & cartridge assy 5810 Filter	
S/A26575	Brine valve 1600 assembly 5810/5812/7700	
S/A24509-01	Mixing assy residential	
S/A40951SP	O-ring-220 (10 pc)	
S/A61919	Meter assembly, 1¼", 5810 & 5812	
S/A29161	Kit retainer and o-ring 32 mm (10 pc)	
S/A61959SP	Injector plug with o-ring (10 pc)	
S/A28385-3	DLFC ¾in 5810/7700 3 GPM	

## SPARE PARTS 5812

Code	Description	€
S/A61961	Kit mounting 5810 / 5812	
S/A61960-01	Piston & cartridge assy 5812 DF	
S/A26575	Brine valve, 1600 assembly	
S/A24509-01	Mixing assy residential	
S/A61919	Meter assembly, 1¼", 5810 & 5812	
S/A40951SP	O-ring-220 (10 pc)	
S/A29161	Kit retainer and o-ring 32 mm (10 pc)	
S/A61959SP	Injector plug with o-ring (10 pc)	
S/A29162	Cap assembly, blank (10 pc)	
S/A61974-10to25	DLFC assy 1" elbow BSP 10 to 25 GPM 5812	
S/A61980-10to25	DLFC assy 1 1/4" straight BSP 10 to 25 GPM 5812	
S/A61980-30to45	DLFC assy 1 1/4" straight BSP 30 to 45 GPM 5812	



## OTHER SPARE PARTS

Code	Description	€
S/A12683	Stuffer 2"	
S/A13061	Puller 2510/2750/resid/9000/9100	
S/A14086	Cable meter 288 mm	
S/A15513	Cable meter 444 mm	
P/N15526	Cable meter 143 mm	
S/A16047	Link drive	
S/A16070	Spacer wide 3900	
S/A16174	Tube silicon 2 oz	
P/N16453	Pipe fitting PVC	
S/A16516	Stuffer 2850/9500	
S/A17623	Puller 2850/9500	
S/A18317	Tube 3/8" 1.25 m	
S/A18441	Interlock harness duplex 6 m	
S/A18725	Indicator off line/on line 2900/2910	
S/A19300	Rod piston 2850	
S/A19338	Brine tube 1700 2850 NBP copper	
S/A24651	Harness interlock	
S/A24981	Repair kit BV 1700	
S/A26861	Piston assy 2750/2900 upper UF	
S/A27836	Repair kit BV 1800	
S/A27937	Adapt chlorinator assy	
S/A28164	Drive cam assy 2900/2910 lower	
S/A28389	Kit brine cam & pin DF	
S/A41447	Brine tube 1710 2910 UF plastic	
S/A10160SP	Tube 3/8"-0.92 m (10 pc)	
S/A10209-01SP	Quad Ring 560 CD	
S/A10227SP	Screen Injector	
S/A10329SP	Fitting Nut 3/8"	
P/N10330SP	Delrin Sleeve 3/8"	
S/A10332SP	Insert Sleeve 3/8"	
S/A10368SP	Spacer Narrow 3150/3900 Upper (2 pc)	
S/A11235SP	Nut Hex (50 pc)	
S/A12767SP	Screen Brine Line (50 pc)	
S/A13301-01SP	O-ring injector 560 CD (50 pc)	
S/A13305-01SP	O-ring 560 CD Adapt Coupling (10 pc)	
S/A14922SP	O-ring 035 Piston (10 pc)	
S/A15707SP	O-ring 560 CD Meter 3" (10 pc)	
S/A16068SP	Seal 3900 (4 pc)	
S/A16398-11	End plug assy 3150/3900 DF NBP black	
S/A16398-21	End plug assy 3150/3900 UF grey	
S/A17906SP	Stem Guide BV (10 pc)	
S/A18108SP	Top Distrib 1" & pin HF (10 pc)	
S/A18703-01	Brine tube 1800 3150/3900 UF copper	
S/A26149-0.25	BLFC kit assy 1600	
S/A26149-0.50	BLFC kit assy 1600	
S/A26149-1	BLFC kit assy 1600	
S/A28461-14	Inline meter assy 1 1/2" BSP - see accessories	
S/A40078-01SP	End Plug O-ring (10 pc)	
S/A60014SP	Body Assy SBV 2310 (10 pc)	
S/A60068-30SP	New Float Assy 2310 (10 pc)	
S/ABR16395-021	End plug assy NBP std & HW	
S/ABU28672	Kit microswitch 2510/2750/2850	
S/ABU28673	Kit microswitch 2510/2750/2850 filter	
S/ABU28674	Kit microswitch 3900	
S/AKIT 8	Top distrib 2" & pin assy	







**8.0**

***Siata Valves***

# SIATA VALVES

## VALVE V132

Valve for softening, filtration, demineralisation applications for head mounting. Manual control: can be achieved by means of a 1/4"- 1/2" three-way ball valve.

Technical specifications:

- Cylinder connection 2"1/2
- Maximum operating pressure 8.7 bar
- Flow rate at 1 bar ΔP - 6 m<sup>3</sup>/h
- Typical cylinder sizes from 7" to 18 "vf
- Quantity of regenerable resin from 15 to 150 litres

### Inlet/outlet pipe connections

Model with quick couplings - Siata connectors code 2265-xxx

Threaded model - 2" BSP male

### Accessories included:

Upper filter - Code 1001-32I

Lower Filter - Code 1002-D32

### WITH QUICK INLET-OUTLET CONNECTIONS

Code	Description	€
V132A05	Softening valve body	
V132F05	Body valve filtration	
V132T05	Valve body with turbine	



### WITH QUICK INLET-OUTLET CONNECTIONS AND EXTERNAL CONNECTIONS

Code	Description	€
V132ET0505	Duplex valve body 5 connections with turbine	



### FOR DEMINERALISATION WITH FAST INPUT AND OUTPUT

Code	Description	€
V132D0405	Anion valve body with probe	
V132D0505	Body Cationic valve	



## FITTINGS FOR V132, V240 WITH RAPIDE CONNECTION

Code	Description	€
2265-A/05	3/4" female threaded fitting kit (NYLON )	
2265-B/05	Fitting kit 1" female threaded (NYLON )	
2265-C/05	Fitting kit 1" 1/4 female threaded (NYLON )	
2265-H/05	Fitting kit 2" external - 1" internal (NYLON )	
2265-I/05	Fitting kit 2" external - 1" 1/4 internal (NYLON )	
2265-K/05	Fitting kit 1" 1/2 female threaded (NYLON )	

## VALVE V230

Valve for softening, filtration, demineralisation applications for head mounting.

Technical specifications:

- Cylinder connection 4"
- Maximum operating pressure 8.7 bar
- Flow rate at 1 bar  $\Delta P$  - 8 m<sup>3</sup>/h
- Typical cylinder sizes from 14" to 21"
- Quantity of regenerable resin from 80 to 200 litres

### Inlet/outlet pipe connections

Threaded model - 2" BSP male

### Accessories included:

Upper filter - Part No. 1005-A/05 for Softening

Lower Filter - Part No. 1006-A/05 for Softening

Upper filter - Code 1005-F/05 for Filtration

Lower Filter - Code 1006-F/05 for Filtration

Upper filter - Code 1005-D/05 for Demineralisation

Lower Filter - Code 1006-D/05 for Demineralisation

### WITH TWIN PILOTS

Code	Description	€
V230A05	Softening valve body	
V230F05	Body valve filtration	
V230T05	Valve body with turbine	



## FITTINGS FOR V132 AND V230

Code	Description	€
494-F/05	Brass fitting kit 2" valve side - 1" 1/2 male	

## FITTINGS FOR V250

Code	Description	€
494-A/05	PVC fitting kit 2" 1/4 valve side - Ø 50 mm gluing	
494-G/05	Brass fitting kit 2" 1/4 valve side 2" male	

## 3-WAY VALVE 63 MM

3-way (diversion) valve.

Technical specifications:

- 2" 3/4 BSP male connection
- Maximum operating pressure 6 bar
- Maximum pilot pressure 3.5 bar
- Flow rate at 1 bar of  $\Delta P$  - 72 m<sup>3</sup>/h at 90° flow

NOTE!. Attachments not included.

### DIVERSION VALVE

Code	Description	€
3V63FE05	THREE-WAY VALVE	





## SEA WATER PROFILER VALVES

### FITTINGS FOR V350, V351 AND 3V-50

Code	Description	€
494-A/05	PVC fitting kit 2" 1/4 valve side - Ø 50 mm gluing	
494-G/05	Brass fitting kit 2" 1/4 valve side 2" male	



### FITTINGS FOR V363 AND 3V-63

Code	Description	€
494-U/05	Fitting kit 2" 3/4 PVC valve side - 2" PVC NPT	
FLA25797	Diffusore inferiore Ø 27 mm UF & alta capacità	



### FITTINGS FOR V363 AND 3V-63

Code	Description	€
494-A/05	PVC fitting kit 2" 1/4 valve side - Ø 50 mm gluing	



## SIATA ACCESSORIES

### BY-PASS

Siata by-passes allow maintenance to be carried out on the system without blocking use. This allows for easier maintenance, reducing intervention times by not requiring the pipes to be removed from the fittings. these exist in several versions, so that they can be adapted to the most diverse installation situations.

Code	Description	€
BP-DP/06	By-pass with proportional mixer and unstable valve and draw-off valves	
BP-DP/08	By-pass with mixer without unstable valve and draw-off valves	
BP-FD/05	By-pass for filtration	
BP-FDP/05	Filtration by-pass with sampling taps	
BP-FR/05	Remote by-pass for filtration	
BP-R/06	Remote proportional mixer by-pass and unstable valve	
BP-RP/06	Remote by-pass with unstable valve and draw-off tap	

### BY-PASS FITTINGS

Code	Description	€
K-490/05	Reduction kit 1" 1/2 female for 3/4" male (2 pcs. kit)	
K-491/05	Reduction kit 1" 1/2 female for 1" male (2 pcs. kit)	



### MISCELLANEOUS ACCESSORIES

Code	Description	€
BRI-100/05	Brine Valve H.100 cm Pipe 9 mm	



# SIATA TIMER TIMER SIATA BASE LINE SFE

Code	Description	€
SFE-BK0/06	SFE volumetric twin pilot timer	
SFE-BK301/05	SFE timer 3 pilots	



## SFE-EV

Code	Description	€
SFVDPX502/05	SFE-EV PRO Duplex Std outlet shut-off single effect valves	



## TIMER SFE-EV PRO SIMPLEX

Code	Description	€
SFVSPX6XX/10	SFE-EV PRO Simplex w/cam on demand 6 Ext.driv cam.425-66624	
SFVSPX5XX/10	SFE-EV PRO Simplex w/cam on demand 5 Ext. cam. 55506	
SVSPX701/0	SFE-EV PRO Simplex w/std DI camshaft 7p	

8.0

Siata Valves

## SIATA SPARE PARTS

### SPARE PARTS V132 V230 V240

Code	Description	€
2258-K02/05	Valve body kit V230 fe volumetric	
2222/05	Internal turbine assembly	
2231-B/05	Injector assy - blue	
2231-G/05	Injector assy - grey	
2231-N/05	Injector assy - black	
2231-R/05	Injector assy - red	
18-K/05	Injector screen	
66/05	Nut + tube sleeve - kit 1 pc	
66-K/05	Nut + tube sleeve - kit 100 pcs	
2250/05	Twin pilot assembly for valves V132/V230/V240	
K-23-N/05	1/8" cap with O-ring - kit 10 pcs - black version	
22-BNK/05	Twin pilot manifold assy with 1/8" connection - black version	
22-CNK/05	Short manifold - black version	
24509-01	Mixing assy	
K-70-3	Flow control ø4-mm. & 700 l/h (#70-3) - kit 10 pcs	
K1-2249/05	Drain hose elbow for twin pilots valves - kit 5 pcs	
K1-2249-C/05	Drain hose elbow for external connection valves - kit 5 pcs	
K1-2249-AN/05	Drain connection 1" BSP male - kit 5 pcs - black version	
2230/05	Pistons w/ seals & spacers assy	
K1-14	Short spacer - kit 10 pcs	
K1-13	Seals holder ring - kit 10 pcs	
K1-15	Medium length spacer - kit 10 pcs	
K1-16	Longer spacer - kit 10 pcs	
1002-D32	Bottom strainer (ø 32mm) for valve V132	
1001-32I	Upper strainer for valve V132	
K-10028	Driver replica connection	
5174-K/05	Rise pipe O-ring for valves V230 & 250 - kit 10 pcs	
2257-K01/05	Valve body service kit V240 time clock with quick connections	
2257-K03/05	Valve body service kit V240 time clock with threaded connections	
2257-K04/05	Valve body service kit V240 volumetric with threaded connections	

### SPARE PARTS V250 V260

Code	Description	€
5145-BC1/05	Outlet body assembled kit (internal parts included)	
2237-2/05	Kit piston + seals spacers V250 V260	
2265-I/05	Kit fitting socket 2" ext > 1 1/4" int (nylon)	
66/05	Nut + tube sleeve - kit 1 pc	
66-K/05	Nut + tube sleeve - kit 100 pcs	
18-K/05	Injector's filter - kit 10 pcs	
5152-K/05	Injector cap fixer nut - kit 10 pcs	
5174-K/05	Tank adapter internal O-ring - kit 10 pcs	
5200-A/05	Top filter (softening) kit	
K1-5111/05	V250-v260 circlip - kit 10 pcs	
5121-MFL/05	Outlet valve body + cap	
2235/05	V360 - complete internal components assy kit	
2235-F/05	V360 filter - spare kit pistons	

## SPARE PARTS V350 V363 3V

Code	Description	€
351-106/05	Kit main piston V363FE V363BWFE	
350-5N/05	Kit closure head w/O-ring V350 main piston & V350 V363 3V-50FE 3V-63FE rinse block black	
350-1/05	Kit in/out single block w/O-rings V350	
K-350-1N/05	Kit in/out single block w/O-rings - black version V350	
351-102904/05	Kit piston stainless steal (aisi-904) for rinse block - Sea Water V363 3V 63FE	
350-5N/05	Kit closure head w/O-ring V350 main piston & V350 V363 3V-50FE 3V-63FE rinse block black	
350-109/05	Kit piston guide axis for rinse block V350 3V 50FE	
K350-3/05	Kit bottom open flange w/O-rings V350 3V 50FE	
K-350-3N	Kit bottom open flange w/O-rings - black version V350 3V 50FE	
350-2L/05	Kit rinse block body w/O-ring V350 3V 50FE	
350-2NL/05	Kit rinse block body w/O-ring - black version V350 3V 50FE	

## SFE SPARE PARTS

Code	Description	€
2253-AMN/05	Kit external pilot with blind holes (1th pilot) - black version	
2253-BMN/05	Kit external pilot with clearance holes - black version	
468-K2	Tie rods & nuts kit for 2 pilot camshaft	
468-K3	Tie rods & nuts kit for 3 pilot camshaft	
2221-2/05	Kit cam 201 - 2 pilots standard	
2221-3CU/05	Kit cam 301 - 3 pilots outlet shut-off	
2221-4FBW/05	Kit cam 410 - 4 pilots for 2 filters sequential regeneration	

## SPARE PARTS SFE-EV VIRIDION

Code	Description	€
K-10002/01	Blax Box w/Cover SFE-EV Viridion	
K-10164	Interf. SFE-EV SPX/VIR w/Flat Cable	
95-STD1	Transformer 230/115 VAC 0,6	
468-K3	Coupling Bar 3 External Drivers Assy	
468-K2	Coupling Bar 2 External Drivers Assy	
2253-BMN/05	Pilot Black 6mm Siata Assy	
2253-AMN/05	Terminal Pilot Black 6mm Siata Assy	
K-10003	SFE-EV Viridion Black Bracket Assy	
K-10004	Brine Valve Assy 1 GPM	
K-10056	Drain housing with sensor inlet for V250 & V360	
K-10164	Interf. SFE-EV PRO SPX w/Flat Cable Assy	
K-10165	Interf. SFE-EV PRO DPX w/Flat Cable Assy	
K-10166	Black Bracket w/o BV Assy	
2221-7A/05	Cam 702 Standard duplex 5 pilots Assy	
K-10008	SFE-EV Back Cover Assy	
K-10163	Black Box W/Cover SFE-EV PRO Assy	
2253-BMN/05	Pilot Black 6mm Siata Assy	
2253-AMN/05	Terminal Pilot Black 6mm Siata Assy	
468-K1	Couplin Bar 1 External Drivers Assy	
468-K2	Couplin Bar 2 External Drivers Assy	
468-K3	Couplin Bar 3 External Drivers Assy	
468-K6	Couplin Bar 6 External Drivers Assy	
468-K7	Couplin Bar 7 External Drivers Assy	

## MISCELLANEOUS

### SPARE PARTS V250 V260

Code	Description	€
2261-1/05	V250 complete O-ring set (softening and filtration)	

### SPARE PARTS V360

Code	Description	€
2262/05	Seal kit O-rings V360 valve	
K-10105	V360 - cap lock circlip 10 pcs kit	
K-10106	V360 - cap lock spring 10 pcs kit	

### SFE TIMER SPARE PARTS

Code	Description	€
92-KIT/05	Kit aux microswitch with adjustable break-away disk	

### OBSOLETE TIMER SPARE PARTS (AQUA CUBIC, ...)

Code	Description	€
K88-L2/05	Kit aux and homing microswitch blue	
2253-BM/05	Kit pilot through quick connection 6mm.	
K-10148	Kit blue spacer w/ chamfer 10 pcs	
468-K2	Tie rods & nuts kit for 2 pilot camshaft	
468-K3	Tie rods & nuts kit for 3 pilot camshaft	
468-K7	Tie rods & nuts kit for 7 pilot camshaft	
2221-2/05	Kit cam 201 - 2 pilots standard	
2221-3CU/05	Kit cam 301 - 3 pilots outlet shut-off	
2221-4FBW/05	Kit cam 410 - 4 pilots for 2 filters sequential regeneration	
2229/05	Kit cam program timer new pilot	
K-114-DX	Standard motor spring - kit 10 pcs	

### ACCESSORIES SPARE PARTS

Code	Description	€
549-F/05	Lateral flanged bypass hole $\varnothing$ 1/4"	

### ALIMENTATION - CONNECTIONS

Codice	Descrizione	€
95-STD1	Transformer 230V --> 11.5V / VAC 0.6 A	
861-ASS/05	Assembly connecting DIN 180+270+360	
861-BK/05	Kit connection DIN plug B (270)	
867	Electronic P.C.B. battery	

### BOXES MECHANIZED TIMERS

Code	Description	€
BOX-7P/05	7-pilots mechanized box for DEMI (demineralization)	

### OTHER

Code	Description	€
111-C	ST & SP controller blank cover plate	

## CAST-IRON HYDROPNEUMATIC VALVES

### TWO-WAY NO/NC DIAPHRAGM VALVES FOR FLUIDS

Two-way inclined seat valve of the integral diaphragm type for all types of fluid with normally open or normally closed operation.

The valve allows the interception of non-aggressive fluids. Opening or closing can be controlled either manually or automatically by simply intercepting the motor fluid via a pilot valve.

Manual control: can be achieved by means of a 1/4"- 1/2" three-way ball valve.

Automatic control: can be achieved by means of a three-way pilot solenoid valve.

Control fluid: The same fluid can be used to intercept. Another fluid may be used as long as it is non-aggressive or compressed air. For the valve to function properly, it is necessary that the motor or control fluid has a pressure at least equal to or greater than that of the fluid to be tapped.



Code	Description	€
41204	Cast Iron Hydropneumatic Diaphragm Valve - NA 3/4"	
41205	Cast iron hydropneumatic diaphragm valve - NA 1"	
41206	Cast iron hydropneumatic diaphragm valve - NA 1" 1/4	
41207	Cast iron hydropneumatic diaphragm valve - NA 1" 1/2	
41208	Cast iron hydropneumatic diaphragm valve - NA 2"	
41209	Cast iron hydropneumatic diaphragm valve - NA 2" 1/2	
41210	Cast iron hydropneumatic diaphragm valve - NA 3"	
41211	Cast Iron Hydropneumatic Diaphragm Valve - NA DN 80	
41212	Cast Iron Hydropneumatic Diaphragm Valve - NA DN 100	
42204	Cast Iron Hydropneumatic Diaphragm Valve - NC 3/4"	
42205	Cast Iron Hydropneumatic Diaphragm Valve - NC 1"	
42206	Cast iron hydropneumatic diaphragm valve - NC 1" 1/4	
42207	Cast iron hydropneumatic diaphragm valve - NC 1" 1/2	
42208	Cast iron hydropneumatic diaphragm valve - NC 2"	
42209	Cast iron hydropneumatic diaphragm valve - NC 2" 1/2	
42210	Cast Iron Hydropneumatic Diaphragm Valve - NC 3"	
42211	Cast Iron Hydropneumatic Diaphragm Valve - NC DN 80	
42212	Cast Iron Hydropneumatic Diaphragm Valve - NC DN 100	

### HYDROPNEUMATIC VALVE ACCESSORIES

Code	Description	€
61204	LP2 flow restrictors for hydropneumatic valves Ø 3/4" - 1" 1/2	
61205	LP5 flow restrictors for hydropneumatic valves Ø 2" - 3"	
61206	LP6 flow restrictors for hydropneumatic valves DN 80-100	

### ORIGINAL SET)

Code	Description	€
62204NA	Plug for hydropneumatic valves NA 3/4" - 1"	
62205NA	Plug for hydropneumatic valves NA 1" 1/4 - 1" 1/2	
62206NA	Valve plug for hydropneumatic valves NA 2"	
62207NA	Valve plug for hydropneumatic valves NA 2" 1/2	
62208NA	Valve plug for hydropneumatic valves NA 3"	



<b>Code</b>	<b>Description</b>	€
62209NA	Valve plug for hydropneumatic valves NA DN 80	
62210NA	Valve plug for hydropneumatic valves NA DN 100	
62254NC	Plug for hydropneumatic valves NC 3/4" - 1"	
62255NC	Plug for hydropneumatic NC valves 1" 1/4 - 1" 1/2	
62256NC	Valve plug for hydropneumatic valves NC 2"	
62257NC	Plug for hydropneumatic NC valves 2" 1/2	
62258NC	Plug for NC 3" hydropneumatic valves	
62259NC	Valve plug for NC hydropneumatic valves DN 80	
62260NC	Valve plug for NC hydropneumatic valves DN 100	

## PINS

<b>Code</b>	<b>Description</b>	€
62304NA	AISI304 pin for hydropneumatic valve plug NA 3/4" - 1"	
62305NA	AISI304 pin for hydropneumatic valve plug NA 1" 1/4-1" 1/2	
62306NA	AISI304 pin for hydropneumatic valve plug NA 2"	
62307NA	AISI304 pin for hydropneumatic valve plug NA 2" 1/2 - 3"	
62308NA	AISI304 pin for hydropneumatic valve plug NA DN80	
62309NA	AISI304 pin for hydropneumatic valve plug NA DN100	
62304NC	AISI304 pin for hydropneumatic valve plug NC 3/4" - 1"	
62305NC	AISI304 pin for hydropneumatic valve plug NC 1" 1/4-1" 1/2	
62306NC	AISI304 pin for hydropneumatic valve plug NC 2".	
62307NC	AISI304 pin for hydropneumatic valve plug NC 2" 1/2 - 3"	
62308NC	AISI304 pin for hydropneumatic valve plug NC DN80	
62309NC	AISI304 pin for hydropneumatic valve plug NC DN100	

## NBR MEMBRANES

<b>Code</b>	<b>Description</b>	€
63204	Diaphragms for hydropneumatic valves 3/4" - 1"	
63205	Diaphragm for hydropneumatic valves 1"1/4 - 1"1/2	
63206	Hydropneumatic valve diaphragm 2"	
63207	Diaphragm for hydropneumatic valves 2"1/2 - 3"	
63208	Diaphragms for hydropneumatic valves DN 80	
63209	Diaphragms for hydropneumatic valves DN 100	

## SEALS

<b>Code</b>	<b>Description</b>	€
64204	Seals for hydropneumatic valves 3/4" - 1"	
64205	Seals for hydropneumatic valves 1" 1/4 - 1" 1/2	
64206	Seals for hydropneumatic valves 2"	
64207	Seals for hydropneumatic valves 2" 1/2 - 3"	
64208	Seals for hydropneumatic valves DN 80	
64209	Seals for hydropneumatic valves DN 100	







# 9.0

*Runxin Valve*



# RUNXIN VALVES

RUNXIN is the most advanced and largest manufacturer of multi-port valves for water treatment for both filter and softening applications.

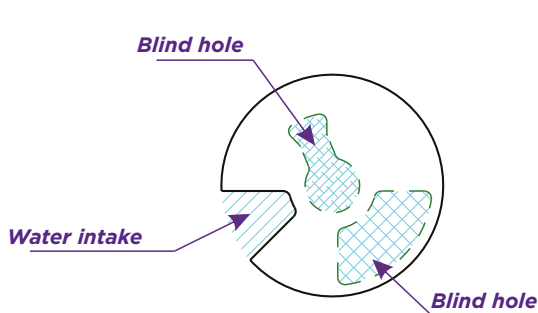
The technology used is patented in more than 20 countries, certified according to CE and RoHS, and consists of the famous high-precision ceramic discs that have made Runxin world famous for hot water mixers.

Unlike conventional piston- or cam-operated valves, the operating principle of Runxin valves is based on two high-precision ceramic discs manufactured by Runxin itself.

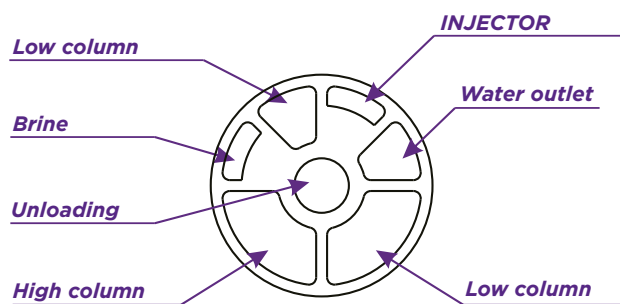
One disc is held stationary while the other rotates 360° above it, allowing water to pass through and thus inducing the valve's various stages of operation.

The valve, thanks to the advanced technology of the electronic control unit, then allows the management of operating times, operating mode (time/volume) and the acquisition of the various operating signals.

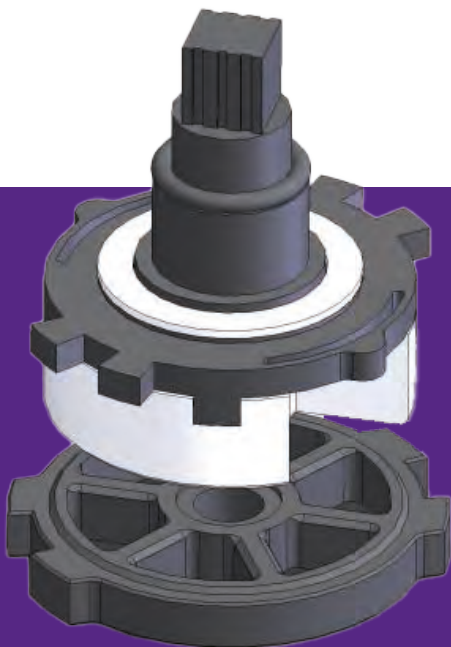
## The operating principle of Runxin valves



**MOVING DISC**



**DISK FIXED**



*The structure of Runxin valves is different from all other valves currently on the market in that they adopt ceramic discs to implement all regenerative phases of the valve.*

*Five magnetic sensors give the discs positioning with no margin for error.*





## VALVES 2MC/H

### VOLUME VALVE F79B

Softening valve, optionally equi-current/counter-current. Plastic construction. The header is electronic for start-up and regeneration cycle management. This comes with a volumetric counter and mixing screw.

Technical specifications:

- Operating flow rate 1bar dP - 2.0 m<sup>3</sup>/h
- Cylinder attachment: 2" 1/2 8 NPSM
- Input/output connections: 3/4"
- Operating pressure min 0.15 - max 0.6 MPa
- Operating temperature min 5°C - max 50°C
- Power supply voltage 230 VAC
- Power supply frequency: 50 Hz
- Valve body material: Noryl®
- Cylinder 6"-12"



#### Accessories included in the supply

Dispenser tube Ø 27 x 1160 mm - Code ARI00364

Under-valve diffuser Ø 27 - Code ARI00345

Background diffuser Ø 27 - Code ARI00355

Air Check 3/8" - Code FLA18168

Elbow intermediate 3/8" - Code PI0312S

Code	Description	€
VTMF7900	Valve F79B-LCD volume 3/4" UF/DF complete with accessories	

### AUTOMATIC F69 SOFTENING VALVE

Softening valve with equi-current service and counter-current regeneration. Plastic construction. The header is electronic for start-up and regeneration cycle management. The start of regeneration is volumetrically delayed with the possibility of forcing with a 0-30 day interval.

Technical specifications:

- Operating flow rate 1 bar dP - 2.0m<sup>3</sup>/h
- Cylinder attachment: 2" 1/2 8 NPSM
- Input/output connections: 3/4" F
- Operating pressure min 0.15 - max 0.6 MPa
- Operating temperature min 5°C - max 50°C
- Power supply voltage 230 VAC
- Power supply frequency: 50 Hz
- Valve body material: Noryl®
- Cylinder 6"-12"



#### Accessories included in the supply

Dispenser tube Ø 27 x 1160 mm - Code ARI00364

Under-valve diffuser Ø 27 - Code ARI00345

Background diffuser Ø 27 - Code ARI00355

Air Check 3/8" - Code FLA18168

Elbow intermediate 3/8" - Code PI0312

Code	Description	€
VTMF69Q10	Valv. TM F69Q1Y Up-flow chrono with accessories	
VTMF69Q30	Valv. TM F69Q3Y Volume Up-flow with accessories	

## AUTOMATIC F69 SOFTENING VALVE

Softening valve with equi-current service and counter-current regeneration. Plastic construction. The header is electronic for start-up and regeneration cycle management. The start of regeneration is volumetrically delayed with the possibility of forcing with a 0-30 day interval.

Technical specifications:

- Operating flow rate 1 bar dP - 2.0m<sup>3</sup>/h
- Cylinder attachment: 2" 1/2 8 NPSM
- Input/output connections: 3/4" F
- Operating pressure min 0.15 - max 0.6 MPa
- Operating temperature min 5°C - max 50°C
- Power supply voltage 230 VAC
- Power supply frequency: 50 Hz
- Valve body material: Noryl®
- Cylinder 6"-12"



### Accessories included in the supply

Dispenser tube Ø 27 x 1160 mm - Code ARI00364

Under-valve diffuser Ø 27 - Code ARI00345

Background diffuser Ø 27 - Code ARI00355

Air Check 3/8" - Code FLA18168

Elbow intermediate 3/8" - Code PIO312

Code	Description	€
VTMF6911	Valv. TM F69P1Y Chrono 3/4" UF with accessories	
VTMF6900	Valv. TM F69P3Y/F70B Volume 3/4" UF with By-pass and accessories	

## AUTOMATIC VALVE F65 SOFTENING

Equicurrent softening valve for both service and regeneration. Plastic construction. The header is electronic for start-up and regeneration cycle management. The start of regeneration is chronometric.

Technical specifications:

- Operating flow rate 1 bar dP - 2.0 m<sup>3</sup>/h
- Cylinder attachment: 2" 1/2 8 NPSM
- Input/output connections: 3/4"
- Operating pressure min 0.15 - max 0.6 MPa
- Operating temperature min 5°C - max 50°C
- Power supply voltage 240 VAC
- Power supply frequency: 50 Hz
- Valve body material: Noryl®
- Cylinder 6"-12"



### Accessories included in the supply

Dispenser tube Ø 27 x 1160 mm - Code ARI00364

Under-valve diffuser Ø 27 - Code ARI00345

Background diffuser Ø 27 - Code ARI00355

Air Check 3/8" - Code FLA18168

Elbow intermediate 3/8" - Code PIO312S

Code	Description	€
VTMF6500	F65B1 3/4" DF chrono valve complete with accessories	

# VALVES 4MC/H

## AUTOMATIC F63 SOFTENING VALVE

Equi-current softening for both service and regeneration. Plastic construction. The header is electronic for start-up and regeneration cycle management. The start of regeneration is volumetrically delayed with the possibility of forcing with a 0-30 day interval.

Technical specifications:

- Operating flow rate 1bar dP - 4.0 m<sup>3</sup>/h
- Cylinder attachment: 2" 1/2 8 NPSM
- Input/output connections: 1"
- Operating pressure min 0.15 - max 0.6 MPa
- Operating temperature min 5°C - max 50°C
- Power supply voltage 240 VAC
- Power supply frequency: 50 Hz
- Valve body material: Noryl®
- Cylinder 6"-18"

### Accessories included in the supply

- Dispenser tube Ø 27 x 1160 mm - Code ARI00364
- Under-valve diffuser Ø 27 - Code ARI00345
- Background diffuser Ø 27 - Code ARI00355
- Air Check 3/8" - Code P/N18168-B48
- Elbow intermediate 3/8" - Code PI0312S

### COMPLETE WITH ACCESSORIES

Code	Description	€
VTMF6324	Valve F63C3/F70A volume 1" DF complete with by-pass and accessories	
VTMF6345	Valve F63P3Y/F70C volume 1" DF complete with by-pass and accessories	



C3



P3

## AUTOMATIC F68 SOFTENING VALVE

Softening valve with equi-current service and counter-current regeneration. Plastic construction. The header is electronic for start-up and regeneration cycle management. The start of regeneration is volumetrically delayed with the possibility of forcing with a 0-30 day interval.

Technical specifications:

- Operating flow rate 1 bar dP - 4.0 m<sup>3</sup>/h
- Cylinder attachment: 2" 1/2 8 NPSM
- Input/output connections: 1"
- Operating pressure min 0.15 - max 0.6 MPa
- Operating temperature min 5°C - max 50°C
- Power supply voltage 230 VAC
- Power supply frequency: 50 Hz
- Valve body material: Noryl®
- Tank Filter: 6"-18"

### Accessories included in the supply

- Dispenser tube Ø 27 x 1160 mm - Code ARI00364
- Under-valve diffuser Ø 27 - Code ARI00345
- Background diffuser Ø 27 - Code ARI00355
- Air Check 3/8" - Code FLA18168
- Elbow intermediate 3/8" - Code PI0312S



C3



P3



Q3

Code	Description	€
VTMF6824	Valve F68C3/F70A volume 1" UF complete with by-pass and accessories	
VTMF6840	Valve F68P3Y/F70C volume 1" UF complete with by-pass and accessories	
VTMF6842	Valve F68Q3/F70C volume 1" UF complete with by-pass and accessories	

## VOLUME VALVE F82

Equicurrent/countercurrent softening valve as an option. for both service and regeneration. Plastic construction. The header is electronic for start-up and regeneration cycle management. This comes with a volumetric counter and mixing screw.

Technical specifications:

- Operating flow rate 1bar dP - 4.0 m<sup>3</sup>/h
- Cylinder attachment: 2" 1/2 8 NPSM
- Input/output connections: 1"
- Operating pressure min 0.15 - max 0.6 MPa
- Operating temperature min 5°C - max 50°C
- Power supply voltage 230 VAC
- Power supply frequency: 50 Hz
- Valve body material: Noryl®
- Cylinder 6"-18"



### Accessories included in the supply

Dispenser tube Ø 27 x 1160 mm - Code AR100364

Under-valve diffuser Ø 27 - Code AR100345

Background diffuser Ø 27 - Code AR100355

Air Check 3/8" - Code FLA18168

Elbow intermediate 3/8" - Code PI0312

Code	Description	€
VTMF8200	Valve F82B-LCD/F70C volume 1" UF/DF complete with by-pass and accessories	

## VALVES 10MC/H

### AUTOMATIC VALVE F74 INDUSTRIAL DOWN FLOW SOFTENING

Equi-current softening. Plastic construction. The header is electronic for start-up and regeneration cycle management. The start of regeneration is volumetrically delayed with the possibility of forcing with an interval of 0-30 days.

Technical specifications:

- Operating flow rate 1bar dP - 10 m<sup>3</sup>/h
- Cylinder attachment: 2" 1/2 8 NPSM
- Input/output connections: 1"
- Operating pressure min 0.15 - max 0.6 MPa
- Operating temperature min 5°C - max 50°C
- Power supply voltage 240 VAC
- Power supply frequency: 50 Hz
- Valve body material: NorylR
- Cylinder 6"-18"



#### Accessories included in the supply

Distributor Pipe Ø 50 x 1660 mm - Code FLA21148-01

Background diffuser Ø 50 - Code FLA18396

Under-valve diffuser - Code KIT-8

Air Check 3/8" - Code P/N18168-B48

Elbow intermediate 3/8" - Code PI0312S

#### COMPLETE WITH ACCESSORIES

Code	Description	€
VTMFN74A3C	Automatic softening valve F74A3 Volume 2" DF	

## DUPLEX VALVES

### AUTOMATIC VALVE F73 DUPLEX SWEETENING

Filtration Valve for Softening. 1 valve for 2 tanks. Alternating volumetric with electronic header for operating/regeneration cycles.

Technical specifications:

- MAX operating flow rate - 3.5 m<sup>3</sup>/h
- Cylinder attachment: 2" 1/2 8 NPSM
- Input/output connections: 1" M
- Operating pressure min 0.15 - max 0.6 MPa
- Operating temperature min 5°C - max 50°C
- Power supply voltage 230 VAC
- Power supply frequency: 50 Hz
- Valve body material: Noryl®
- Cylinder 8"-14"



#### Accessories included in the supply

Dispenser tube Ø 27 x 1160 mm - Code ARI00364

Under-valve diffuser Ø 27 - Code ARI00345

Background diffuser Ø 27 - Code ARI00355

Air Check 3/8" - Code FLA18168

Elbow intermediate 3/8" - Code PI0312

Code	Description	€
VTMF7300	F73A Duplex Single Valve 1" UF/DF complete with accessories	

# FILTER VALVES

## AUTOMATIC VALVE F67 FILTRATION

Timing-type filtration valve. Plastic construction. The header is electronic in order to manage the operation/regeneration cycles.

Technical specifications:

- MAX operating flow rate - 4.0 m<sup>3</sup>/h
- Cylinder attachment: 2" 1/2 8 NPSM
- Input/output connections: 1" M
- Operating pressure min 0.15 - max 0.6 MPa
- Operating temperature min 5°C - max 50°C
- Power supply voltage 230 VAC
- Power supply frequency: 50 Hz
- Valve body material: Noryl®
- Cylinder 6"-14"



### Accessories included in the supply

Dispenser tube Ø 27 x 1160 mm - Code ARI00364

Under-valve diffuser Ø 27 - Code ARI00345

Background diffuser Ø 27 - Code ARI00355

Code	Description	€
VTMF6700	Valve F67B chrono 1" filter complete with accessories	

## AUTOMATIC VALVE F75 FILTRATION

Filtration valve of chronometric type. Plastic construction. The header is electronic in order to manage the operation/regeneration cycles.

Technical specifications:

- MAX operating flow rate - 10.0 m<sup>3</sup>/h
- Cylinder attachment: 4" 8 UN
- Input/output connections: 2" M
- Operating pressure min 0.15 - max 0.6 MPa
- Operating temperature min 5°C - max 50°C
- Power supply voltage 230 VAC
- Power supply frequency: 50 Hz
- Valve body material: Noryl®
- Cylinder 16"- 24"



### Accessories included in the supply

Distributor Pipe Ø 50 x 1660 mm - Code FLA21148-01

Background diffuser Ø 50 - Code FLA18396

Under-valve diffuser - Code KIT-8

Code	Description	€
VTMF7520	Valve F75A chrono 2" filter complete with accessories	



## BY-PASS AND ACCESSORIES

Code	Description	€
VTMF7000	By-pass F70A for valves F63 and F68	
VTMF7010	By-pass F70B for valves F65 and F69	
VTMF7030	By-pass F70C for valve F63-F68-F82 angle connections	
VTMF7031	By-pass F70C for valve F63-F68-F82 straight connections	
VTMF7020	By-pass F70D for valve F79 angle connections	
VTMF7021	By-pass F70D for valve F79 straight connections	
ARI00512	Chlorine producing cell for Runxin valve	



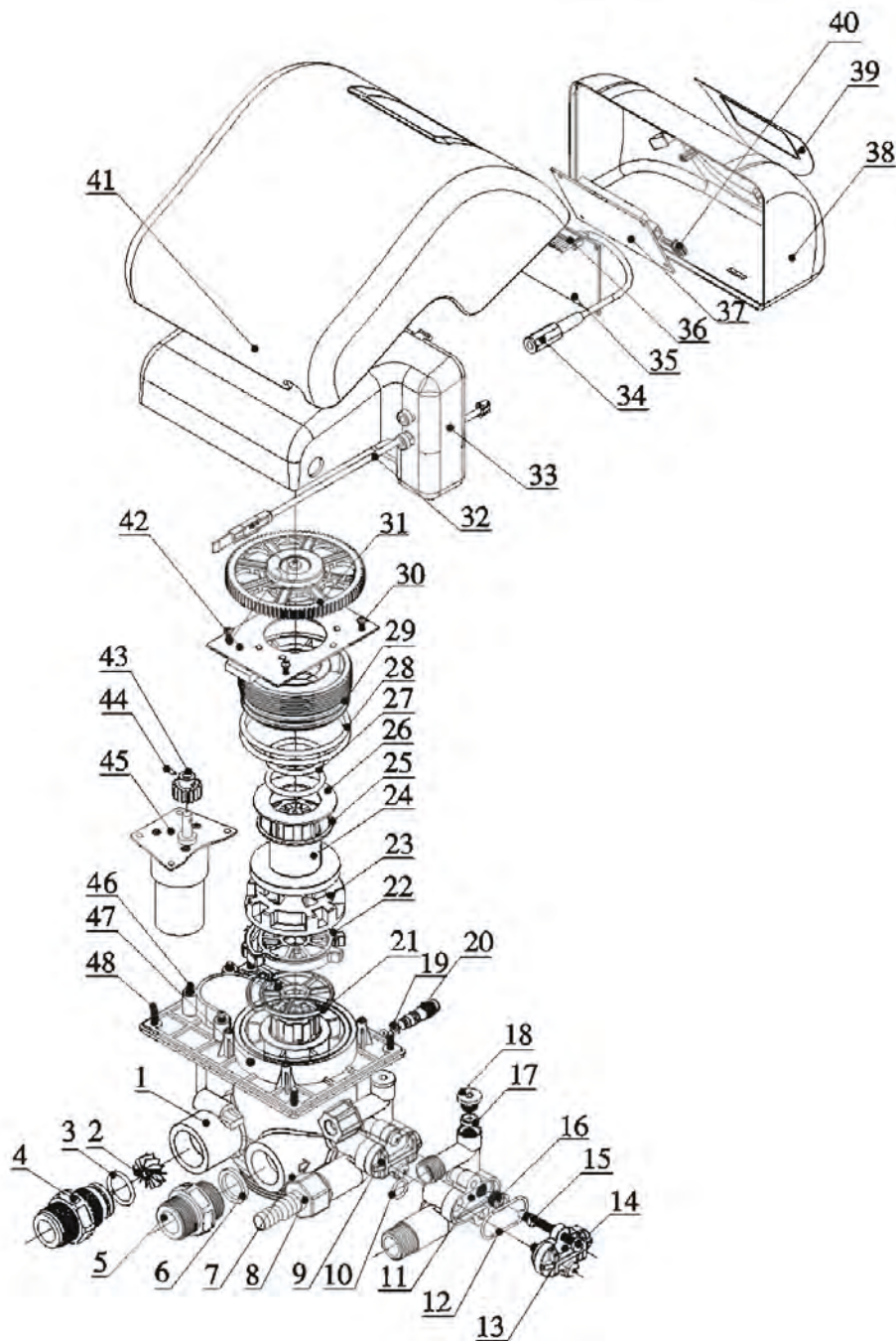
# RUNXIN SPARE PARTS

Code	Description	€
VTMF6000	Transformer for TMF-EU Valve 220/12 DC 1A	
VTMF6010	Turbine counter for valve F79	
VTMF6012	O-ring 3/4" counter connection for valve F79	
VTMF6014	3/4" counter fitting for valve F79	
VTMF6015	3/4" fitting (inlet nipple) for valve F79	
VTMF6020	Injector body for valve F79	
VTMF6022	Valve body O-ring F79	
VTMF6024	Injector body cover for valve F79	
VTMF6026	Injector body screw for valve F79	
VTMF6028	Injector cap gasket for F79 valve	
VTMF6029	Injector cap for valve F79	
VTMF6030	Electronic control board for valve F79	
VTMF6032	Electronic positioning board for F79	
VTMF6035	Electronic display board for valve F79	
VTMF6036	Valve motor F63C/F68C	
VTMF6040	Smoked valve cover for valve F79	
VTMF6045	O-ring tank kit - BLFC rubber holder - nut 3/8	
VTMF6050	Clips for suction connection Valve F79	
VTMF6052	Quick suction coupling with BLFC x F79 valve	
VTMF6058	Magnetic flowmeter sensor Valve F79	
VTMF606301	Adjustment kit for 6" cylinder (injector and DLFC)	
VTMF606302	Adjustment kit for 7" cylinder (injector and DLFC)	
VTMF606303	Adjustment kit for 8" cylinder (injector and DLFC)	
VTMF606304	Adjustment kit for 9" cylinder (injector and DLFC)	
VTMF606305	Adjustment kit for 10" cylinder (injector and DLFC)	
VTMF606306	Adjustment kit for 12" cylinder (injector and DLFC)	
VTMF606307	Adjustment kit for 13" cylinder (injector and DLFC)	
VTMF606308	Adjustment kit for 14" cylinder (injector and DLFC)	
VTMF606309	Adjustment kit for 16" cylinder (injector and DLFC)	
VTMF6064	Quick-acting injector body kit Complete with O-ring Valve F79	
VTMF6068	By-pass connection fittings without turbine	
VTMF6074	Clamps per By-pass	
VTMF6075	Clamps per By-pass F70C	
VTMF6086	Mixing screw for valve F79	
VTMF6087	Mixing screw for valve F82	
VTMF6088	BLFC for valve F79	
VTMF6090	Turbine for valve F82B	

## SPARE PARTS VOLUME VALVE F79

9.0

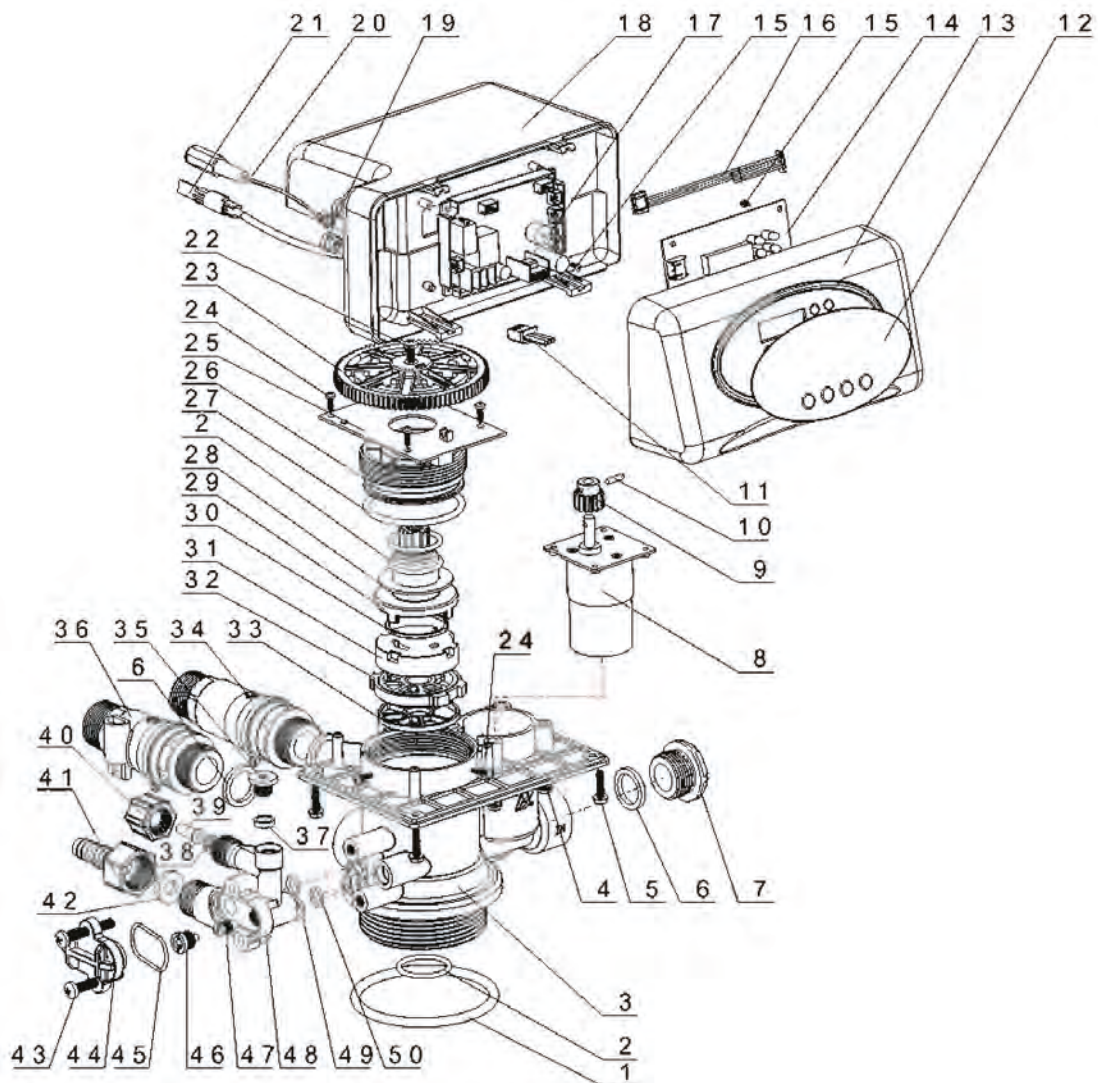
Runxin Valves



Ref.	Code	Description	€
1	-	VALVE BODY 8022029	
2	-	IMPELLER 5436007	
3	-	O-RING 8378074	
4	-	FLOW METER CONNECTOR 8458026	
5	-	ANIMATED CONNECTOR 8458001	
6	-	SEAL RING 8371019	
7	-	O-RING 8378143	

<b>Ref.</b>	<b>Code</b>	<b>Description</b>	<b>€</b>
8	-	O-RING 8378078	
9	-	O-RING (X2) 8378016	
10	-	O-RING 8378012	
11	-	INJECTOR BODY 8008001	
12	-	O-RING 8378025	
13	-	COVER OF INJECTOR 8315001	
14	-	SCREW, CROSS (X2) 8902017	
15	-	THROAT, INJECTOR 8467001	
16	-	NOZZLE, INJECTOR 8454001	
17	-	SEAL RING 8370003	
18	-	PLUG 8323002	
19	-	O-RING (X3) 8378003	
20	-	ADJUST SCREW 8906002	
21	-	SEAL RING 8370046	
22	-	FIXED DISK 8469024	
23	-	MOVING DISK 8459026	
24	-	SHAFT 8259013	
25	-	MOVING SEAL RING 8370064	
26	-	ANTI-FRICTION WASHER 8216011	
27	-	O-RING (X2) 8378116	
28	-	O-RING (X2) 8378126	
29	-	FITTING NUT 8092011	
30	-	SCREW, CROSS (X4) 8909008	
31	-	GEAR 8241009	
32	-	PROBE WIRE 8386001	
33	-	DUST COVER 8005013	
34	-	WIRE FOR POWER 8005014	
35	-	CONTROL BOARD 6382021	
36	-	WIRE FOR LOCATING BOARD 5511004	
37	-	DISPLAY BOARD 6381003	
38	-	FRONT COVER 8300008	
39	-	LABEL 8300004	
40	-	WIRE FOR DISPLAY BOARD 8865013	
41	-	DUST COVER 8300015	
42	-	LOCATING BOARD 6380011	
43	-	SMALL GEAR 8241015	
44	-	PIN 8993001	
45	-	MOTOR 6158026	
46	-	SCREW, CROSS (X4) 8902008	
47	-	SCREW, CROSS (X4) 8909008	
48	-	SCREW, CROSS (X4) 8909016	

## SPARE PARTS VOLUME VALVE F69

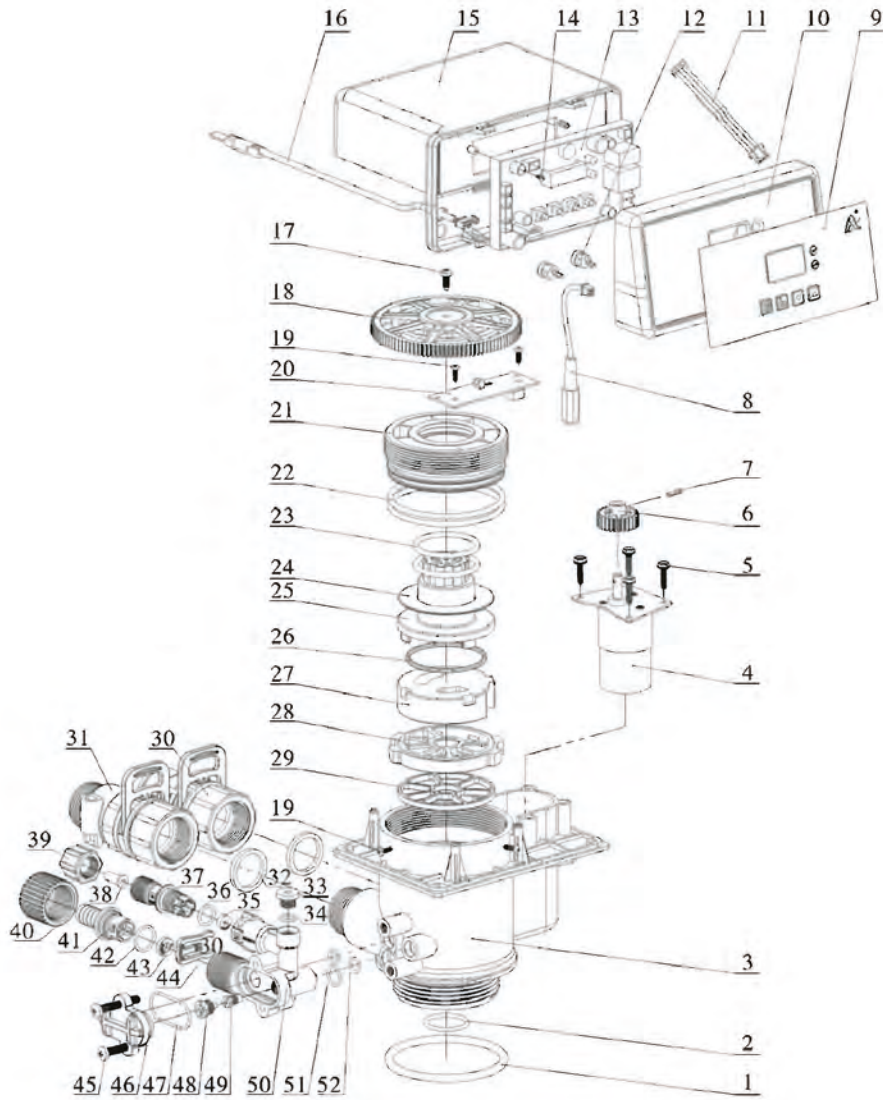


Ref.	Code	Description	€
1		O-RING 73 x 5.3 8378143	
2		O-RING 25.8 x 2.65 8378073	
3		VALVE BODY (ABS+GF10) 5022018	
		VALVE BODY (PPO+GF20) 5022019	
4		SCREW, CROSS M4X25 (X4) 8902008	
5		HEX SCREW, CROSS, FLANGE HEAD ST3,9X16 (X4) 8909016	
6		SCREW, CROSS M4X1 (X4) 8902005	
7		PLUG 8323005	
8		GEAR MOTOR 6158006	
9		SMALL GEAR 8421010	
10		PIN 8993001	
11		LOCATING BOARD LINE 5511021	
12		LABEL 8865057	
13		FRONT PANEL 8300039	

<b>Ref.</b>	<b>Code</b>	<b>Description</b>	<b>€</b>
14		DISPLAY BOARD 6381027	
15		SCREW, CROSS ST2,2X6,5 (X5) 8909004	
16		DISPLAY BOARD LINE 5512001	
17		MAIN CONTROL BOARD 6382075	
18		DUSTPROOF COVER (X2) 8005005	
19		WIRE CLIP (X2) 8125004	
20		POWER CABLE 5513001	
21		PROBE CABLE 6386001	
22		SCREW, CROSS ST3,9X13 899013	
23		GEAR 8241037	
24		SCREW, CROSS ST2,9X9,5 (X4) 8909008	
25		LOCATING BOARD 6380033	
26		FITTING NUT 8092007	
27		O-RING 50.39X3.53 8378107	
28		ANTI-FRICTION WASHER 8216010	
29		SHAFT 8258009	
30		MOVING SEAL RING 8370053	
31		MOVING DISC 8459016	
32		FIXED DISC 8469015	
33		SEAL RING 8370034	
34		ANIMATED CONNECTOR 5457003	
35		PLUG 8323002	
36		FLOW METER 5447002	
37		SEAL RING 8370003	
38		BRINE LINE FLOW CONTROL 8468002	
39		TUBE 8457004	
40		HEXAGONAL NUT 8940001	
41		JOINT 8458017	
42		DRAIN LINE FLOW CONTROL 8468007	
43		SCREW, CROSS M5X35 (X2) 8902017	
44		INJECTOR COVER 8315001	
45		O-RING 30X1,8 8378025	
46		INJECTOR NOZZLE 8454009	
47		INJECTOR THROAT 8467009	
48		INJECTOR BODY 8008001	
49		O-RING 10.82X1.78 8378012	
50		O-RING 7,5X1,8 8378016	



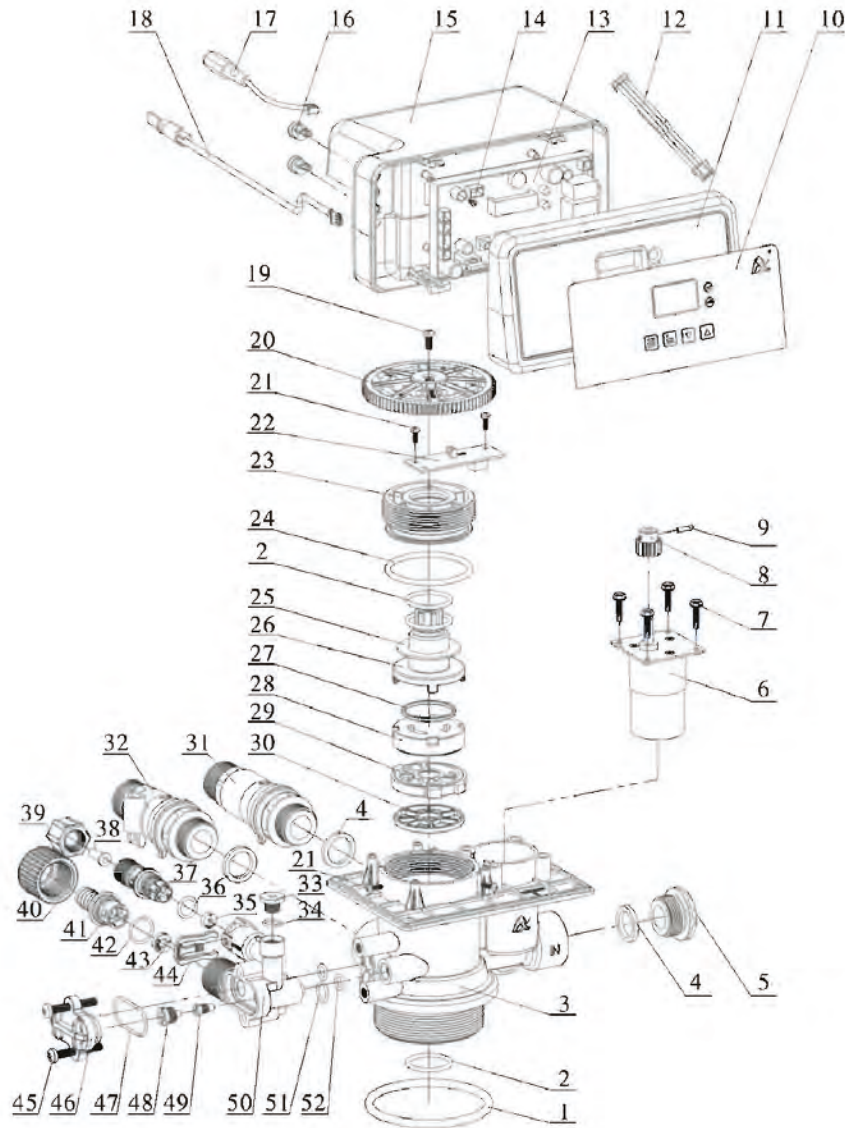
## SPARE PARTS MULTIFUNCTIONAL VALVE F68Q3



Ref.	Code	Description	€
1	-	O-RING 73 x 5.3 8378143	
2	-	O-RING 25.8 x 2.65 8378078	
3	-	VALVE BODY (ABS+GF10) 5022022	
	-	VALVE BODY (PPO+GF20) 5022023	
4	-	MOTOR 6158011	
5	-	SCREW, CROSS ST3,9X16 (X4) 8909016	
6	-	SMALL GEAR 8241003	
7	-	PIN 8993003	
8	-	WIRE FOR POWER 5513001	
9	-	LABEL 8865175	
10	-	FRONT COVER 8300060	
11	-	WIRE FOR LOCATING BOARD 5511021	
12	-	CABLE CLIP (X2) 8126004	
13	-	CONTROL BOARD 6382159	

<b>Ref.</b>	<b>Code</b>	<b>Description</b>	<b>€</b>
14	-	SCREW, CROSS ST2,2X6,5 (X2) 8909004	
15	-	DUST COVER 8005091	
16	-	PROBE WIRE 6386014	
17	-	SCREW, CROSS ST3,9X13 8909013	
18	-	GEAR 8241053	
19	-	SCREW, CROSS ST2,9X16 (X2) 8909008	
20	-	LOCATING BOARD 8380032	
21	-	FITTING NUT 8092004	
22	-	O-RING 73X3,55 (X2) 8378128	
23	-	O-RING 38,7X3,55 (X2) 8378184	
24	-	ANTI-FRICTION WASHER 8216004	
25	-	SHAFT 8258004	
26	-	MOVING SEAL RING 8370001	
27	-	MOVING DISC 8459078	
28	-	FIXED DISC 8469079	
29	-	SEAL RING 8370111	
30	-	ANIMATED CONNECTOR 5457002	
31	-	FLOW METER 5447018	
32	-	SEAL RING (X2) 8371001	
33	-	PLUG 8323003	
34	-	SEAL RING 8370003	
35	-	BLFC 8468055	
36	-	O-RING 11X2 8378169	
37	-	CONNECTOR 8458068	
38	-	TUBE 8457004	
39	-	HEX NUT 8940001	
40	-	ANIMATED NUT 8945025	
41	-	CONNECTOR 8458064	
42	-	O-RING 15X1,8 8378279	
43	-	DLFC	
44	-	CLIP 8270010	
45	-	SCREW, CROSS M5X35 (X2) 8902017	
46	-	COVER OF INJECTION 8315001	
47	-	O-RING 30X1,8 8378025	
48	-	NOZZLE INJECTOR 8454008	
49	-	THROAT INJECTOR 8467008	
50	-	BODY INJECTOR 8008010	
51	-	O-RING 10.82X1.78 8378012	
52	-	O-RING 7.4X1.8 (X2) 8378016	

## SPARE PARTS MULTIFUNCTIONAL VALVE F69Q3



Ref.	Code	Description	€
1	-	O-RING 73 x 5.3 8378143	
2	-	O-RING 25.8 x 2.65 8378078	
3	-	VALVE BODY (ABS+GF10) 5022024	
	-	VALVE BODY (PPO+GF20) 5022025	
4	-	SEAL RING (X3) 8371019	
5	-	PLUG 8323005	
6	-	MOTOR 6158006	
7	-	SCREW, CROSS ST3,9X16 (X4) 8909016	
8	-	SMALL GEAR 8241010	
9	-	PIN 8993003	
10	-	LABEL 8865177	
11	-	FRONT COVER 8300059	
12	-	WIRE FOR LOCATING BOARD 5511021	
13	-	CONTROL BOARD 6382159	

<b>Ref.</b>	<b>Code</b>	<b>Description</b>	<b>€</b>
14	-	SCREW, CROSS ST2,9X6,5 (X2) 8909013	
15	-	DUST COVER 8005005	
16	-	CABLE CLIP (X2) 8126004	
17	-	WIRE FOR POWER 5513001	
18	-	PROBE WIRE 6386014	
19	-	SCREW, CROSS ST3,9X13 8909013	
20	-	GEAR 8241053	
21	-	SCREW, CROSS ST2,9X16 (X5) 8909008	
22	-	LOCATING BOARD 6380033	
23	-	FITTING NUT 8092007	
24	-	O-RING 50.39X3.53 8378107	
25	-	ANT-FRICTION WASHER 8216010	
26	-	SHAFT 8258009	
27	-	MOVING SEAL RING 8370053	
28	-	MOVING DISC 8459016	
29	-	FIXED RING 8469015	
30	-	SEAL RING 8370034	
31	-	ANIMATED CONNECTOR 5457003	
32	-	FLOW METER 5447020	
33	-	PLUG 8323002	
34	-	SEAL RING 8370003	
35	-	BLFC 8468053	
36	-	O-RING 11X2 8378169	
37	-	CONNECTOR 8458068	
38	-	TUBE 8457004	
39	-	HEX NUT 8940001	
40	-	ANIMATED NUT 8945025	
41	-	CONNECTOR 8458064	
42	-	O-RING 15X1,8 8378179	
43	-	DLFC 8468077	
44	-	CLIP 8270010	
45	-	SCREW, CROSS M5X35 (X2) 8902017	
46	-	COVER OF INJECTION 8315001	
47	-	O-RING 30X1,8 8378025	
48	-	NOZZLE INJECTOR 8454004	
49	-	THROAT INJECTOR 8467004	
50	-	BODY INJECTOR 8008010	
51	-	O-RING 10.82X1.78 8378012	
52	-	O-RING 7.4X1.8 (X2) 8378016	

**RUNXIN SPARE PARTS**

<b>Code</b>	<b>Description</b>	<b>€</b>
VTMF6000	Transformer for TMF-EU Valve 220/12 DC 1A	
VTMF6010	Turbine counter for valve F79	
VTMF6012	O-ring 3/4" counter connection for valve F79	
VTMF6014	3/4" counter fitting for valve F79	
VTMF6015	3/4" fitting (inlet nipple) for valve F79	
VTMF6020	Injector body for valve F79	
VTMF6022	Valve body O-ring F79	
VTMF6024	Injector body cover for valve F79	
VTMF6026	Injector body screw for valve F79	
VTMF6028	Injector cap gasket for F79 valve	
VTMF6029	Injector cap for valve F79	
VTMF6030	Electronic control board for valve F79	
VTMF6032	Electronic positioning board for F79	
VTMF6035	Electronic display board for valve F79	
VTMF6036	Valve motor F63C/F68C	
VTMF6040	Smoked valve cover for valve F79	
VTMF6045	O-ring tank kit - BLFC rubber holder - nut 3/8	
VTMF6050	Clips for suction connection Valve F79	
VTMF6052	Quick suction coupling with BLFC x F79 valve	
VTMF6058	Magnetic flowmeter sensor Valve F79	
VTMF606301	Adjustment kit for 6" cylinder (injector and DLFC)	
VTMF606302	Adjustment kit for 7" cylinder (injector and DLFC)	
VTMF606303	Adjustment kit for 8" cylinder (injector and DLFC)	
VTMF606304	Adjustment kit for 9" cylinder (injector and DLFC)	
VTMF606305	Adjustment kit for 10" cylinder (injector and DLFC)	
VTMF606306	Adjustment kit for 12" cylinder (injector and DLFC)	
VTMF606307	Adjustment kit for 13" cylinder (injector and DLFC)	
VTMF606308	Adjustment kit for 14" cylinder (injector and DLFC)	
VTMF606309	Adjustment kit for 16" cylinder (injector and DLFC)	
VTMF6064	Quick-acting injector body kit Complete with O-ring Valve F79	
VTMF6068	By-pass connection fittings without turbine	
VTMF6074	Clamps per By-pass	
VTMF6075	Clamps per By-pass F70C	
VTMF6086	Mixing screw for valve F79	
VTMF6087	Mixing screw for valve F82	
VTMF6088	BLFC for valve F79	
VTMF6090	Turbine for valve F82B	









**10.0**

***Canature Valves***



## CHANNEL VALVES

### VALVE BNT650

The classic mechanical time valve with extremely simple operation. The cycle duration is fixed and the regeneration interval is set. Ideal for economical installations. The valve includes 4 adjustment kits for different cylinder diameters.

Technical specifications:

- MAX operating flow rate - 4,500 L/h
- Cylinder attachment: 2"-1/2" NPSM
- Input/output connections: 1"
- Working pressure 0.14-0.84 MPa
- Operating temperature min 1°C - max 42°C
- Power supply voltage 230 VAC
- Power supply frequency: 50 Hz
- Valve body material: Noryl®
- Cylinder: up to 16"



Code	Description	€
BNT650C	BNT650 valve without by-pass connection 1" complete with accessories	

### VALVE BNT265F

Electronic valve with removable display. The valve is equipped with a bypass. The easy-to-read display shows the time, the type of regeneration set and the remaining capacity during operation. Possibility of setting time-based, immediate volumetric, delayed volumetric or mixed regeneration. The cycles are adjustable in duration.

Technical specifications:

- MAX operating flow rate - 4,500 L/h
- Cylinder attachment: 2"-1/2" NPSM
- Input/output connections: 1"
- Working pressure 0.14-0.84 MPa
- Operating temperature min 1°C - max 42°C
- Power supply voltage 230 VAC
- Power supply frequency: 50 Hz
- Valve body material: Noryl®
- Cylinder: up to 16"



Code	Description	€
BNT265FC	BNT265F volume remote timer valve with 1" bypass complete with accessories	

### VALVE BNT750

Electronic valve with extremely small dimensions. Simple programming that allows you to check each regeneration cycle by choosing it from the screen, thus avoiding waiting for the whole regeneration. Possibility of setting time-based, immediate volumetric, delayed volumetric or mixed regeneration. The cycles are adjustable in duration. The valve is equipped with a bypass with an built-in turbine to significantly reduce depth gaps.

Technical specifications:

- MAX operating flow rate - 4,500 L/h
- Cylinder attachment: 2"-1/2" NPSM
- Input/output connections: 1"
- Working pressure 0.14-0.84 MPa
- Operating temperature min 1°C - max 42°C
- Power supply voltage 230 VAC
- Power supply frequency: 50 Hz
- Valve body material: Noryl®
- Cylinder: up to 16"



Code	Description	€
BNT750FC	BNT750F BLU volume valve with by-pass connection 1" complete with accessories	

## VALVE BNT185

Electronic valve with a modern design and extremely simple programming. Piston positioning via optical sensor. The valve is equipped with a bypass with an built-in turbine to significantly reduce gaps in depth. Possibility of setting time-based, immediate volumetric, delayed volumetric or mixed regeneration. The cycles are adjustable in duration.

Technical specifications:

- MAX operating flow rate - 4,500 L/h
- Cylinder attachment: 2"-1/2" NPSM
- Input/output connections: 1"
- Working pressure 0.14-0.84 MPa
- Operating temperature min 1°C - max 42°C
- Power supply voltage 230 VAC
- Power supply frequency: 50 Hz
- Valve body material: Noryl®
- Cylinder: up to 16"



Code	Description	€
BNT185C	BNT185 volume valve with by-pass connection 1" complete with accessories	

## VALVE BNT5850 SE-DF

Electronic valve with a large colour display and extremely easy programming. Possibility of setting time-based, immediate volumetric, delayed volumetric or mixed regeneration. The cycles are adjustable in duration. Holiday mode can be selected. The valve has a bypass with an built-in turbine.

Technical specifications:

- MAX operating flow rate - 4,500 L/h
- Cylinder attachment: 2"-1/2" NPSM
- Input/output connections: 1"
- Working pressure 0.14-0.84 MPa
- Operating temperature min 1°C - max 42°C
- Power supply voltage 230 VAC
- Power supply frequency: 50 Hz
- Valve body material: Noryl®
- Cylinder: up to 16"



Code	Description	€
BNT5850SEC	Valve BNT5850 SE DF volume with bypass connections 1" full display with accessories	

## VALVE BNT950F

Electronic valve with colour display and user-friendly programming via icons. The flow rate of 11 mc/hr and the possibility of treating up to 290 litres of resin make it an extremely interesting valve. Possibility of setting time-based, immediate volumetric, delayed volumetric or mixed regeneration. The cycles are adjustable in duration. Holiday mode can be set, which allows the resin to be flushed when the system is not in use for an extended period.

Technical specifications:

- MAX operating flow rate - 10,000 L/h
- Cylinder attachment: 4 NPSM
- Input/output connections: 1" 1/2
- Working pressure 0.14-0.84 MPa
- Operating temperature min 1°C - max 42°C
- Power supply voltage 230 VAC
- Power supply frequency: 50 Hz
- Valve body material: Noryl®
- Tank: up to 24"



Code	Description	€
BNT950FC	Valve BNT950F softening volume connection 1"1/2 complete with accessories	

## CHANNELING SPARE PARTS

Code	Description	€
BNT0200474	BNT75 piston (COMPL)	
BNT02170013M	Adaptor for valve	
BNT02170029	Seal & Spacer per BNT65/BNT185 BNT85/BNT85HE	
BNT02170030	Injector stem	
BNT02170047	Complete piston for BNT65	
BNT02170054	Complete piston for BNT65 and BNT85	
BNT02170101	Complete piston for BNT85SHE	
BNT02170102	Kit seal and spacer for BNT85HE	
BNT05005607	Injector body complete for BNT65 BNT185/BNT85/BNT85HE	
BNT05010004	Platen--B15	
BNT05010005	BNT75 driving gear (B06)	
BNT05010006	BNT75 driven gear (B18)	
BNT05010007	BNT75 idler gear (B11)	
BNT05010031	Meter cable	
BNT05010046	Meter strain relief	
BNT05010055	Transformer	
BNT05010057	BNT75 PC Board (B11)	
BNT05010065	Sensor pcb (B14)	
BNT05010071	BNT75 protection pcb (B03)	
BNT05030007	BNT85 Main Gear (B07)	
BNT05030008	BNT85 Brine Gear (B10)	
BNT05030009	BNT85 Drive Gear (B06)	
BNT05030010	Main board for BNT85	
BNT05030011B	Dislay board for BNT85	
BNT05031023	Dislay board for BNT85HE	
BNT05031025	PC board main board for BNT85HE	
BNT05056076M	BLFC, 0.30GPM	
BNT05056169M	DLFC 6#, FOR 11" tank	
BNT05056170M	DLFC 7#, FOR 12" tank	
BNT05056171M	DLFC 8#, FOR 13" tank	
BNT05056178M	BLFC 0.7GPM	
BNT05056180	Brine piston for BNT65/BNT185/BNT85/BNT85HE	
BNT05056186M	DLFC 2#, FOR 07" tank	
BNT05056188M	DLFC 4#, FOR 09" tank	
BNT05056189M	DLFC 5#, FOR 10" tank	
BNT05056510	Motor 12V/3W 2RPM per BNT65 BNT185/BNT85/BNT85HE	
BNT22050100B	Bypass with meter (A20)	
BNT30040079M	Grey injector for 6"&7 "tank -A	
BNT30040080M	Grey injector for 6"&7 "tank -B	
BNT30040081M	Purple injector, for 8" tank-A	
BNT30040082M	Purple injector, for 8" tank-B	
BNT30040083M	Red injector, for 9" tank - A	
BNT30040084M	Red injector, for 9" tank - B	
BNT30040085M	White injector for 10" tank -A	
BNT30040086M	White injector for 10" tank -B	







# ***11.0***

***Pressure cylinders and  
distribution systems.  
Manual valves***





# FIBREGLASS CYLINDERS BOI

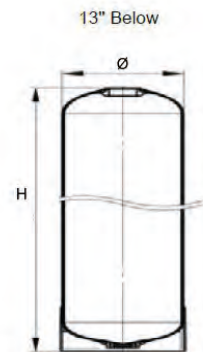
Technical specifications:

- Glass-fibre reinforced PE/FRP inner liner
- Minimum fatigue test 250,000 cycles between 0 and 10 bar
- Operating pressure 0 - 10 Bar
- Operating temperature 1 - 45 °C

## CYLINDER THREAD 2" 1/2 - WITHOUT BASE

Code	Description	Total H (mm)	Ø (mm)	Total volume (lt)	€
BOI0517BL/S	5x17 cylinder without base *	425	123	3,8	
BOI0520BL/S	5x20 cylinder without base *	515	123	4,5	
BOI0613BL/S	Cylinder 6x13 without base	331	155	4,55	
BOI0617BL/S	Cylinder 6x17 without base	432	155	6,25	
BOI0618BL/S	Cylinder 6x18 without base *	458	155	6,8	
BOI0635BL/S	Cylinder 6x35 without base *	891	155	14,1	
BOI0713BL/S	Cylinder 7x13 without base	331	182	6,3	
BOI0717BL/S	Cylinder 7x17 without base	432	182	8,5	
BOI0719BL/S	Cylinder 7x19 without base *	484	182	9,7	
BOI0722BL/S	Cylinder 7x22 without base *	562	182	11,4	
BOI0730BL/S	7x30 cylinder without base *	763	182	15,8	
BOI0735BL/S	Cylinder 7x35 without base	891	182	19,1	
BOI0815BL/S	Cylinder 8x15 without base *	381	207	9,3	
BOI0817BL/S	8x17 cylinder without base	432	207	10,5	
BOI0818BL/S	8x18 cylinder without base *	458	207	11,5	
BOI0822BL/S	8x22 cylinder without base	550	207	14,4	
BOI0824BL/S	8x24 cylinder without base *	610	207	16,6	
BOI0830BL/S	8x30 cylinder without base *	765	207	21	
BOI0835BL/S	8x35 cylinder without base	891	207	23,6	
BOI0917BL/S	9x17 cylinder without base	432	233	14	
BOI0924BL/S	Cylinder 9x24 without base *	610	233	20,5	
BOI0935BL/S	Cylinder 9x35 without base	891	233	31,6	
BOI1015BL/S	Cylinder 10x15 without base *	381	259	14	
BOI1017BL/S	Cylinder 10x17 without base	431	259	16,5	
BOI1024BL/S	Cylinder 10x24 without base *	606	259	24,8	
BOI1026BL/S	Cylinder 10x26 without base	661	259	27,3	
BOI1030BL/S	Cylinder 10x30 without base *	763	259	32,3	
BOI1035BL/S	Cylinder 10x35 without base	891	259	38,3	

\* Non-stock-managed material on request

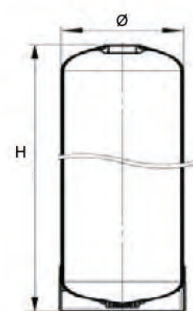


## CYLINDER THREAD 2" 1/2 - WITH BASE

Code	Description	Total H (mm)	Ø (mm)	Total volume (lt)	€
BOI0517BL	5x17 blue cylinder	425	123	3,8	
BOI0520BL	Cylinder 5x20 blue	515	123	4,5	
BOI0613BL	Cylinder 6x13 blue	336	155	4,55	
BOI0617BL	Cylinder 6x17 blue	437	155	6,25	
BOI0618BL	Cylinder 6x18 blue *	463	155	6,8	
BOI0635BL	Cylinder 6x35 blue *	896	155	14,1	
BOI0713BL	Cylinder 7x13 blue	335	182	6,3	
BOI0717BL	Cylinder 7x17 blue	437	182	8,5	
BOI0719BL	Cylinder 7x19 blue *	488	182	9,7	
BOI0722BL	Cylinder 7x22 blue *	566	182	11,4	
BOI0730BL	Cylinder 7x30 blue *	768	182	15,8	
BOI0735BL	Cylinder 7x35 blue	896	182	19,1	
BOI0744BL	Cylinder 7x44 blue	1123	182	24,3	
BOI0815BL	Cylinder 8x15 blue *	385	207	9,3	
BOI0817BL	Cylinder 8x17 blue	437	207	10,5	
BOI0818BL	Cylinder 8x18 blue *	462	207	11,5	
BOI0822BL	Cylinder 8x22 blue	555	207	14,4	
BOI0824BL	Cylinder 8x24 blue	615	207	16,6	
BOI0830BL	Cylinder 8x30 blue	770	207	21	
BOI0835BL	Cylinder 8x35 blue	897	207	23,6	
BOI0844BL	Canister 8x44 blue	1122	207	31,3	
BOI0917BL	Cylinder 9x17 blue	439	233	14	
BOI0924BL	Cylinder 9x24 blue	615	233	20,5	
BOI0935BL	Cylinder 9X35 blue	898	233	31,6	
BOI0942BL	Cylinder 9X42 blue	1074	233	38,5	
BOI0948BL	Cylinder 9X48 blue	1228	233	44,6	
BOI1015BL	Cylinder 10x15 blue *	384	259	14	
BOI1017BL	Cylinder 10x17 blue	434	259	16,5	
BOI1024BL	Cylinder 10x24 blue *	609	259	24,8	
BOI1026BL	Cylinder 10x26 blue	664	259	27,3	
BOI1030BL	Cylinder 10x30 blue *	765	259	32,3	
BOI1035BL	Cylinder 10X35 blue	893	259	38,3	
BOI1040BL	Cylinder 10X40 blue *	1022	259	44,7	
BOI1044BL	Cylinder 10X44 blue	1121	259	48,8	
BOI1047BL	Cylinder 10X47 blue	1198	259	53,2	
BOI1054BL	Cylinder 10x54 blue	1381	259	61	
BOI1135BL	Cylinder 11x35 blue	903	284	46,7	
BOI1144BL	Cylinder 11x44 blue *	1130	284	59,8	
BOI1217BL	Cylinder 12X17 blue	448	307	23,6	
BOI1248BL	Cylinder 12X48 blue	1233	307	78,54	
BOI1252BL	Cylinder 12X52 blue	1338	307	84,7	
BOI1344BL	Tank 13x44 blue	1145	335	84,8	



13" Below



14"-16"



\* Non-stock-managed material on request



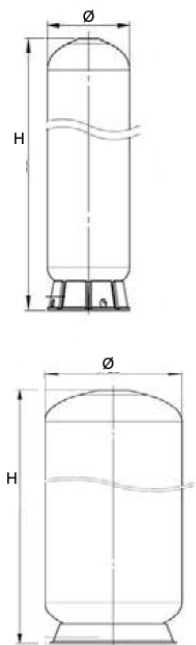
Code	Description	Total H (mm)	Ø (mm)	Total volume (lt)	€
BOI1354BL	Tank 13x54 blue	1398	335	105,7	
BOI1452-2BL	Canister 14x52 blue	1344	366	115	
BOI1465-2BL	Canister 14x65 blue	1674	366	148	
BOI1624-2BL	Cylinder 16x24 blue *	624	413	6	
BOI1636-2BL	Cylinder 16x36 blue *	968	413	98,1	
BOI1644-2BL	Cylinder 16x44 blue	1240	413	6	
BOI1652-2BL	Cylinder 16x52 blue	1377	413	148,3	
BOI1665-2BL	Cylinder 16x65 blue	1706	413	6	

\* Non-stock-managed material on request

## 4" THREAD CYLINDER - WITH BASE

Code	Description	Total H (mm)	Ø (mm)	Total volume (lt)	€
BOI1344-4BL	Tank 13x44 blue	1145	335	84.8	
BOI1354-4BL	Tank 13x54 blue	1398	335	105,7	
BOI1452-4BL	Canister 14x52 blue	1344	366	115	
BOI1465-4BL	Canister 14x65 blue	1674	366	148	
BOI1624-4BL	Cylinder 16x24 blue *	625	413	6	
BOI1636-4BL	Cylinder 16x36 blue *	970	413	98,1	
BOI1644-4BL	Cylinder 16x44 blue	1240	413	6	
BOI1652-4BL	Cylinder 16x52 blue	1375	413	148,3	
BOI1665-4BL	Cylinder 16x65 blue	1705	413	6	
BOI1836-4BL	Cylinder 18x36 blue *	1000	495	138	
BOI1853-4BL	Cylinder 18x53 blue	1432	495	211	
BOI1865-4BL	Cylinder 18x65 blue	1722	495	257	
BOI2136-4BL	Cylinder 21x36 blue *	1200	559	164	
BOI2153-4BL	Cylinder 21x53 blue	1434	559	253	
BOI2162-4BL	Cylinder 21x62 blue	1721	559	330	
BOI2438-4BL	Canister 24x38 blue *	1036	618	216	
BOI2472-4BL	Canister 24x72 blue	1918	618	494	

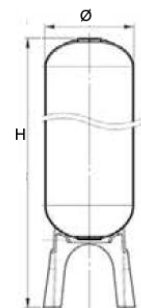
\* Non-stock-managed material on request



## CYLINDER THREAD 4" TOP - 4" BOTTOM - WITH TRIPOD BASE

Code	Description	Total H (mm)	Ø (mm)	Total volume (lt)	€
BOI1865-4/4BL	Cylinder 18x65 blue 4/4	2027	495	257	
BOI2162-4/4BL	Cylinder 21x62 blue 4/4	2064	559	330	
BOI2438-4/4BL	Cylinder 24x38 blue 4/4 (#)	1036	618	216	
BOI2472-4/4BL	Cylinder 24x72 blue 4/4	2168	618	494	
BOI3072-4/4BL	Cylinder 30x72 blue 4/4	2140	780	728	
BOI3672-4/4BL	Cylinder 36x72 blue 4/4	2150	930	1020	

\* Non-stock-managed material on request

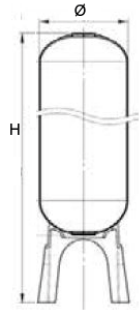




## CYLINDER FLANGE CONNECTION 6" TOP - 6" BOTTOM - WITH TRIPOD BASE

Code	Description	Total H (mm)	Ø (mm)	Total volume (lt)	€
BOI3072-6/6BL	Cylinder 30x72 blue	2200	780	734	
BOI3672-6/6BL	Canister 36x72 blue	2200	930	1023	
BOI4272-6/6BL	Canister 42x72 blue	2400	1110	1580	
BOI4872-6/6BL	Canister 48x72 blue	2400	1230	1918	
BOI5872-6/6BL	Tank 58x72 blue	2420	1500	2720	
BOI6367-6/6BL	Canister 63x67 blue	2025	1598	2248	
BOI6386-6/6BL	Canister 63x86 blue	2465	1598	3092	

\* Non-stock-managed material on request



## BASES FOR HYDROPRO CYLINDERS

Code	Description	€
BOI0500	Base for IDROPRO 5" cylinder	
BOI0600	Base for IDROPRO 6" cylinder	
BOI0700	Base for IDROPRO 7" cylinder	
BOI0800	Base for IDROPRO 8" cylinder	
BOI0900	Base for IDROPRO 9" cylinder	
BOI1000	Base for IDROPRO 10" cylinder	
BOI1100	Base for IDROPRO 11" cylinder	
BOI1200	Base for IDROPRO 12" cylinder	
BOI1300	Base for IDROPRO 13" cylinder	
BOI1400	Base for IDROPRO 14" cylinder	
BOI1600	Base for IDROPRO 16" cylinder	

# STRUCTURAL RESIDENTIAL PRESSURE CYLINDERS

## Technical specifications:

- Glass-fibre reinforced HD polyethylene inner liner
- Minimum fatigue test 250,000 cycles between 0 and 10 bar
- Operating pressure 0 - 10 Bar
- Operating temperature 1-50° C for threaded version
- Operating temperature 1-65° C for flanged version

## CYLINDER THREAD 2" 1/2 - WITHOUT BASE

Code	Description	Total H (mm)	Ø (mm)	Total volume (lt)	€
BOS0613SB	Cylinder / Pressure tank 6 "x 13" *	340-344	159	4.60	
BOS0713SB	Cylinder / Pressure tank 7 "x 13" *	339-343	184	6.30	
BOS0717SB	Cylinder / Pressure tank 7 "x 17" *	444-448	184	8,80	
BOS0730SB	Cylinder / Pressure tank 7 "x 30" *	773-777	184	16.80	
BOS0735SB	Cylinder / Pressure tank 7 "x 35"	891-895	184	20.40	
BOS0817SB	Cylinder / Pressure tank 8 "x 17" *	433-437	208	11.00 a.m.	
BOS0830SB	Cylinder / Pressure tank 8 "x 30" *	778-781	208	22.00	
BOS0835SB	Cylinder / Pressure tank 8 "x 35"	892-900	208	25,70	
BOS0919SB	Cylinder / Pressure tank 9 "x 19" *	485-488	233	16,00	
BOS0935SB	Cylinder / Pressure tank 9 "x 35"	895-901	233	31,30	
BOS1016SB	Cylinder / Pressure tank 10 "x 16" *	420-423	257	6	
BOS1019SB	Cylinder / Pressure tank 10 "x 19" *	497-500	257	19,10	
BOS1035SB	Cylinder / Pressure tank 10 "x 35"	895-901	257	38,90	

\* Non-stock-managed material on request



# 11.0

Pressure cylinders and distribution systems. Manual valves

## CYLINDER THREAD 2" 1/2 TOP - WITH BASE

Code	Description	Total H (mm)	Ø (mm)	Total volume (lt)	€
BOS0613B	Cylinder / Pressure tank 6 "x 13" *	340-344	159	4.60	
BOS0618B	Cylinder / Pressure tank 6 "x 18" *	473-477	159	6.90	
BOS0635B	Cylinder / Pressure tank 6 "x 35" *	901-905	159	14.40	
BOS0713B	Cylinder / Pressure tank 7 "x 13" *	339-343	184	6.30	
BOS0717B	Cylinder / Pressure tank 7 "x 17" *	444-448	184	8,80	
BOS0730B	Cylinder / Pressure tank 7 "x 30" *	776-780	184	16.80	
BOS0735B	Cylinder / Pressure tank 7 "x 35"	899-903	184	20.40	
BOS0817B	Cylinder / Pressure tank 8 "x 17" *	433-437	208	11.00 a.m.	
BOS0830B	Cylinder / Pressure tank 8 "x 30" *	781-785	208	22.00	
BOS0835B	Cylinder / Pressure tank 8 "x 35"	900-904	208	25,70	
BOS0935B	Cylinder / Pressure tank 9 "x 35"	901-905	233	31,30	
BOS1016B	Cylinder / Pressure tank 10 "x 16" *	423-427	257	6	
BOS1019B	Cylinder / Pressure tank 10 "x 19" *	500-504	257	19,10	
BOS1035B	Cylinder / Pressure tank 10 "x 35"	901-905	257	38,90	
BOS1035SB	Cylinder / Pressure tank 10 "x 35"	895-901	257	38,90	
BOS1044B	Cylinder / Pressure tank 10 "x 44"	1122-1128	257	48.00	
BOS1054B	Cylinder / Pressure tank 10 "x 54"	1385-1391	257	6	
BOS1248B	Cylinder / Pressure tank 12 "x 48"	1229-1235	304	6	
BOS1252B	Cylinder / Pressure tank 12 "x 52"	1335-1341	304	84.00	
BOS1354B	Cylinder / Pressure tank 13 "x 54"	1368-1374	334	103,10	

\* Non-stock-managed material on request



11.0

Pressure cylinders and distribution systems. Manual valves

## STRUCTURAL INDUSTRIAL PRESSURE CYLINDERS

Technical specifications:

- Glass-fibre reinforced HD polyethylene inner liner
- Minimum fatigue test 250,000 cycles between 0 and 10 bar
- Operating pressure 0 - 10 Bar
- Operating temperature 1-50° C for threaded version
- Operating temperature 1-65° C for flanged version

### 4" TOP THREAD CYLINDER - WITH BASE

Code	Description	Total H (mm)	Ø (mm)	Total volume (lt)	€
BOS1465-4	Cylinder / Pressure tank 14 "x 65" - 4"	1630-1660	369	140.00	
BOS1665-4	Cylinder / Pressure tank 16 "x 65" - 4"	1615-1650	406	170,00	
BOS1865-4	Cylinder / Pressure tank 18 "x 65" - 4"	1706-1746	469	250.00	
BOS2160-4	Cylinder / Pressure tank 21 "x 60" - 4"	1610-1640	552	309,00	
BOS2469-4	Cylinder / Pressure tank 24 "x 69" - 4"	1850-1890	610	6	



## 4" TOP - 4" BOTTOM THREAD CYLINDER - WITH STANDARD BASE

Code	Description	Total H (mm)	Ø (mm)	Total volume (lt)	€
BOS1865-4/4	Cylinder / Pressure tank 18 "x 65" - 4"/ 4" S *	1706-1746	469	245,00	
BOS2136-4/4	Cylinder / Pressure tank 21 "x 36" - 4"/ 4" S *	1000-1030	552	6	

\* Non-stock-managed material on request



## 4" TOP - 4" BOTTOM - WITH TRIPOD BASE

Code	Description	Total H (mm)	Ø (mm)	Total volume (lt)	€
BOS1443-4/4	Cylinder / Pressure tank 14" x 43" - 4"/ 4" S *	1250-1295	369	98,00	
BOS1452-4/4	Cylinder / Pressure tank 14" x 52" - 4"/ 4" S	1480-1515	369	115,00	
BOS1465-4/4	Cylinder / Pressure tank 14" x 65" - 4"/ 4" S	1805-1840	369	140,00	
BOS1649-4/4	Cylinder / Pressure tank 16" x 49" - 4"/ 4" S	1390-1430	406	140,00	
BOS1665-4/4	Cylinder / Pressure tank 16" x 65" - 4"/ 4" S	1790-1830	406	170,00	
BOS2160-4/4	Cylinder / Pressure tank 21" x 60" - 4"/ 4" S	1923-1963	552	310,00	
BOS2469-4/4	Cylinder / Pressure tank 24" x 69" - 4"/ 4" S	2169-2199	610	440,00	
BOS3072-4/4	Cylinder / Pressure tank 30" x 72" - 4"/ 4" S	2248-2278	770	710,00	
BOS3672-4/4	Cylinder / Pressure tank 36" x 72" - 4"/ 4" S	2305-2355	927	1020,00	

\* Non-stock-managed material on request



## CYLINDER FLANGE CONNECTION 6" TOP - WITH BASE

Code	Description	Total H (mm)	Ø (mm)	Total volume (lt)	€
BOS2166FL6	Cylinder / Pressure tank 21 "x 66" - 6" *	1663-1683	552	308,00	
BOS2475FL6	Cylinder / Pressure tank 24 "x 75" - 6"	1898-1918	610	450,00	
BOS3078FL6	Cylinder / Pressure tank 30 "x 78" - 6"	2043-2073	770	710,00	
BOS3678FL6	Cylinder / Pressure tank 36 "x 78" - 6"	2119-2149	927	1020,00	

\* Non-stock-managed material on request



## CYLINDER FLANGE CONNECTION 6" TOP - 6" BOTTOM - WITH TRIPOD BASE

Code	Description	Total H (mm)	Ø (mm)	Total volume (lt)	€
BOS2166FL6/6	Cylinder / Pressure tank 21 "x 66" - 6"/ 6" *	1978-2018	552	310,00	
BOS2475FL6/6	Cylinder / Pressure tank 24 "x 75" - 6"/ 6"	2208-2248	610	450,00	
BOS3078FL6/6	Cylinder / Pressure tank 30 "x 78" - 6"/ 6"	2264-2304	770	710,00	
BOS3678FL6/6	Cylinder / Pressure tank 36 "x 78" - 6"/ 6"	2327-2367	927	1020,00	
BOS4278FL6/6	Cylinder / Pressure tank 42 "x 78" - 6"/ 6"	2405-2445	1074	6	
BOS4882FL6/6	Cylinder / Pressure tank 48 "x 82" - 6"/ 6"	2410-2450	1226	1840,00	
BOS6367FL6/6	Cylinder / Pressure tank 63" x 67" - 6"/ 6"	2050-2080	1620	6	
BOS6386FL6/6	Cylinder / Pressure tank 63" x 86" - 6"/ 6"	2460-2490	1620	3425,00	

\* Non-stock-managed material on request

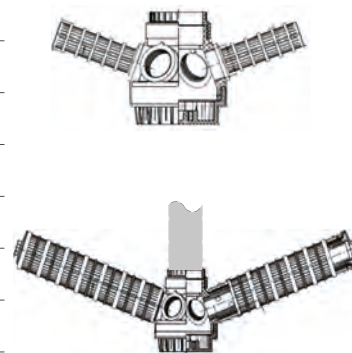


# DISTRIBUTION SYSTEMS

## TOP-MOUNTED DISTRIBUTION SYSTEMS FOR PIPE Ø 50

**TUBE NOT INCLUDED**

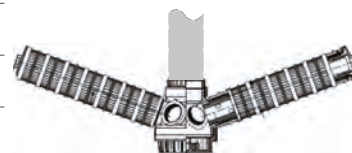
Code	Description	€
ARIDT514A	Sup.mount distributor 6 arms Ø 50 x 14" f = 0.25 mm	
ARIDT514F	Sup.mount distributor 6 arms Ø 50 x 14" f = 0.5 mm	
ARIDT516A	Sup.mount distributor 6 arms Ø 50 x 16" f = 0.25 mm	
ARIDT516F	Sup.mount distributor 6 arms Ø 50 x 16" f = 0.5 mm	
ARIDT518A	Sup.mount distributor 6 arms Ø 50 x 18" f = 0.25 mm	
ARIDT518F	Sup.mount distributor 6 arms Ø 50 x 18" f = 0.5 mm	
ARIDT521A	Sup.mount distributor 6 arms Ø 50 x 21" f = 0.25 mm	
ARIDT521F	Sup.mount distributor 6 arms Ø 50 x 21" f = 0.5 mm	
ARIDT524A	Sup.mount distributor 6 arms Ø 50 x 24" f = 0.25 mm	
ARIDT524F	Sup.mount distributor 6 arms Ø 50 x 24" f = 0.5 mm	
ARIDT530A	Sup.mount distributor 6 arms Ø 50 x 30" f = 0.25 mm	
ARIDT530F	Sup.mount distributor 6 arms Ø 50 x 30" f = 0.5 mm	
ARIDT536A	Surface-mounted distributor 6 arms Ø 50 x 36" f = 0.25 mm	
ARIDT536F	Surface-mounted distributor 6 arms Ø 50 x 36" f = 0.5 mm	
ARI00369	PVC pipe d.50 L 195 cm	



## TOP-MOUNTED DISTRIBUTION SYSTEMS FOR 6-ARM PIPE Ø 63

**TUBE NOT INCLUDED**

Code	Description	€
ARIDT621A	6 arms Ø 63 x 21" f = 0.25 mm sup.mount distributor	
ARIDT621F	Surface-mounted distributor 6 arms Ø 63 x 21" f = 0.5 mm	
ARIDT624A	Surface-mounted distributor 6 arms Ø 63 x 24" f = 0.25 mm	
ARIDT624F	Surface-mounted distributor 6 arms Ø 63 x 24" f = 0.5 mm	
ARIDT630A	6 arms Ø 63 x 30" f = 0.25 mm sup.mount distributor	
ARIDT630F	6-arm Ø 63 x 30" f = 0.5 mm sup.mount distributor	
ARIDT636A	Sup.6-arm Ø 63 x 36" f = 0.25 mm distributor	
ARIDT636F	6-arm Ø 63 x 36" f = 0.5 mm sup.mount distributor	
ARIDT642A	6 arms Ø 63 x 42" f = 0.25 mm sup.mount distributor	
ARIDT642F	6-arm Ø 63 x 42" f = 0.5 mm sup.mount distributor	
ARI00335	Rigid PVC pipe d.63 L 195 cm	



## TOP MOUNTING DISTRIBUTION SYSTEMS FOR Ø 90 PIPE WITH 8 AND 16 ARMS

### TUBE NOT INCLUDED

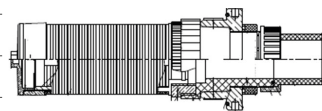
Code	Description	€
ARIDTC936A	Distrib.TOP 8 arms with tube Ø 90 x 36" f = 0.25 mm	
ARIDTC936F	Distrib.TOP 8 arms with tube Ø 90 x 36" f = 0.5 mm	
ARIDTC942A	Distrib.TOP 8 arms with tube Ø 90 x 42" f = 0.25 mm	
ARIDTC942F	Distrib.TOP 8 arms with tube Ø 90 x 42" f = 0.5 mm	
ARIDTC948A	Distrib.TOP 8 arms with tube Ø 90 x 48" f = 0.25 mm	
ARIDTC948F	Distrib.TOP 8 arms with tube Ø 90 x 48" f = 0.5 mm	
ARIDTC955A	Distrib.TOP 8 arms with tube Ø 90 x 55" f = 0.25 mm	
ARIDTC955F	Distrib.TOP 8 arms with tube Ø 90 x 55" f = 0.5 mm	
ARIDTC963A	Distrib.TOP 8 arms with tube Ø 90 x 63" f = 0.25 mm	
ARIDTC963F	Distrib.TOP 8 arms with tube Ø 90 x 63" f = 0.5 mm	
ARIDTD936A	Distrib.TOP 16 arms with tube Ø 90 x 36" f = 0.25 mm	
ARIDTD936F	Distrib.TOP 16 arms with tube Ø 90 x 36" f = 0.5 mm	
ARIDTD942A	Distrib.TOP 16 arms with tube Ø 90 x 42" f = 0.25 mm	
ARIDTD942F	Distrib.TOP 16 arms with tube Ø 90 x 42" f = 0.5 mm	
ARIDTD948A	Distrib.TOP 16 arms with tube Ø 90 x 48" f = 0.25 mm	
ARIDTD948F	Distrib.TOP 16 arms with tube Ø 90 x 48" f = 0.5 mm	
ARIDTD955A	Distrib.TOP 16 arms with tube Ø 90 x 55" f = 0.25 mm	
ARIDTD955F	Distrib.TOP 16 arms with tube Ø 90 x 55" f = 0.5 mm	
ARIDTD963A	Distrib.TOP 16 arms with tube Ø 90 x 63" f = 0.25 mm	
ARIDTD963F	Distrib.TOP 16 arms with tube Ø 90 x 63" f = 0.5 mm	



## DISPENSING SYSTEMS FOR 4" THREADED DOUBLE-HOLE CYLINDERS Ø 63

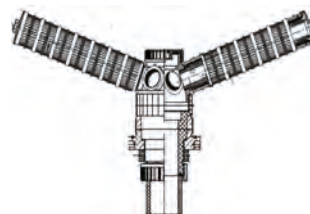
### UPPER DISTRIBUTOR

Code	Description	€
ARIDTA018	Diffuser coupl. 4" for cylinder 14" - 36" f = 0.2 mm L=180mm	
ARIDTF018	Diffuser coupl. 4" for cylinder 14" - 36" f = 0.5 mm L=180 mm	



### LOWER/UPPER HALO

Code	Description	€
ARIDB18A	Lower/upper 4" 5 arms for 4" tank 5 arms for 18" tank f = 0.25 mm	
ARIDB18F	Lower/upper 4" 5 arms for 4" tank 5 arms for 18" tank f = 0.50 mm	
ARIDB21A	Lower/upper 4" 5 arms for 4" tank 5 arms for 21" tank f = 0.25 mm	
ARIDB21F	Lower/upper 4" 5 arms for 4" tank 5 arms for 21" tank f = 0.5 mm	
ARIDB24A	Lower/upper 4" 5 arms for 4" tank 5 arms for 24" tank f = 0.25 mm	
ARIDB24F	Lower/upper 4" 5 arms for 4" tank 5 arms for 24" tank f = 0.5 mm	
ARIDB30A	Lower/upper 4" 5 arms for 4" tank 5 arms for 30" tank f = 0.25 mm	
ARIDB30F	Lower/upper 4" 5 arms for 4" tank 5 arms for 30" tank f = 0.5 mm	
ARIDB36A	Lower/upper 4" 5 arms for 4" tank 5 arms for 36" tank f = 0.25 mm	
ARIDB36F	Lower/upper 4" 5 arms for 4" tank 5 arms for 36" tank f = 0.5 mm	



### LOWER/UPPER 3" 8 ARMS FLANGE EXCLUDED

Code	Description	€
ARIDC21A	Bottom rail 3" 8 fathoms x 21" cylinder f = 0.25 mm	
ARIDC21F	Bottom rail 3" 8 fathoms x 21" cylinder f = 0.50 mm	
ARIDC24A	Bottom rail 3" 8 fathoms x 24" cylinder f = 0.25 mm	
ARIDC24F	Bottom rail 3" 8 fathoms x 24" cylinder f = 0.50 mm	
ARIDC30A	Bottom rail 3" 8 fathoms x 30" cylinder f = 0.25 mm	
ARIDC30F	Bottom rail 3" 8 fathoms x 30" cylinder f = 0.50 mm	
ARIDC36A	Bottom rail 3" 8 fathoms x 36" cylinder f = 0.25 mm	
ARIDC36F	Bottom rail 3" 8 fathoms x 36" cylinder f = 0.50 mm	
ARIDC42A	Bottom rail 3" 8 fathoms x 42" cylinder f = 0.25 mm	
ARIDC42F	Bottom rail 3" 8 fathoms x 42" cylinder f = 0.50 mm	
ARIDC48A	Bottom rail 3" 8 fathoms x 48" cylinder f = 0.25 mm	
ARIDC48F	Bottom rail 3" 8 fathoms x 48" cylinder f = 0.50 mm	
ARIDC55A	Bottom rail 3" 8 fathoms x 55" cylinder f = 0.25 mm	
ARIDC55F	Bottom rail 3" 8 fathoms x 55" cylinder f = 0.50 mm	
ARIDC63A	Bottom rail 3" 8 fathoms x 63" cylinder f = 0.25 mm	
ARIDC63F	Bottom rail 3" 8 fathoms x 63" cylinder f = 0.50 mm	

**UPPER DISTRIBUTION SYSTEMS 2"/3" CONNECTION - 0.2MM SLOT**

<b>Code</b>	<b>Description</b>	<b>€</b>
ARIDZA018	Filter nozzle RB 2" PP L = 180mm X 0.2mm	
ARIDZA028	Filter nozzle RB 2" PP L = 284mm X 0.2mm	
ARIDZA055	Filter nozzle RB 2" PP L = 550mm X 0.2mm	
ARIDZA324	Filter nozzle RB 3" PP L = 240mm X 0.2mm	
ARIDZA331	Filter nozzle RB 3" PP L = 312mm X 0.2mm	

**NEW**

**UPPER DISTRIBUTION SYSTEMS 2"/3" CONNECTION - 0.5 MM SLOT**

<b>Code</b>	<b>Description</b>	<b>€</b>
ARIDZF018	Filter nozzle RB 2" PP L = 180mm X 0.5mm	
ARIDZF028	Filter nozzle RB 2" PP L = 284mm X 0.5mm	
ARIDZF055	Filter nozzle RB 2" PP L = 550mm X 0.5mm	
ARIDZF324	Filter nozzle RB 3" PP L = 240mm X 0.5mm	
ARIDZF331	Filter nozzle RB 3" PP L = 312mm X 0.5mm	
ARIDZF338	Filter nozzle RB 3" PP L = 384mm X 0.5mm	

**NEW**

**11.0**

Pressure cylinders and distribution systems. Manual valves

## FLANGES

Code	Description	€
DWC10228	O-ring Flange Adapter 6" Ø 180.4 x 9.8 mm	
DWC10310	PVC flange 6 "x DN80 Complete with socket, O-ring Screws and Nuts	
DWC10306	O-Ring 233 Di. 181 x DC. 7 mm Buna N	
DWC10320	Counterflange Kit DN80 x D.90	
ARI00417	Flange 6" X 4" thread complete with o-ring (screw kit not included)	
ARI00413	Stainless steel M8 screw and nut kit for 6" flanges	
ARI00415	Blind flange 6" complete with o-ring (screw kit not included)	
DWC10311	PVC flange 6" cap complete with O-Ring screws nuts	
DWC10312	PVC flange 6"x 4" complete with O-Ring screws nuts	



## CAPS AND REDUCTIONS

Code	Description	€
ARI00400	Threaded PVC reduction 4" x 2"½ complete with O-ring	
ARI00410	Threaded PVC reduction 6" x 4" complete with O-ring	
ARI00420	PVC threaded plug 2"½ complete with O-ring	
ARI00430	4" PVC threaded plug complete with O-ring	
ARI00440	6" PVC threaded plug complete with O-ring	

## PVC PIPES

Code	Description	€
ARI00369	Rigid PVC pipe d.50 L 195 cm	
ARI00335	Rigid PVC pipe d.63 L 195 cm	

# MANUAL VALVES

## IN/OUT VALVES

Code	Description	€
ARI00098	PVC 3/4" 2-way manual cap valve without accessories	
ARI00099	PVC 3/4" 2-way manual cap valve complete with accessories	
ARI00101	PVC 1" 2-way manual cap valve without accessories	
ARI00103	PVC 1" 2-way manual cap valve complete with accessories	
D1220-01	CLACK openable 2-way cap valve without accessories	
D1400	CLACK 2-way closed cap valve without accessories	



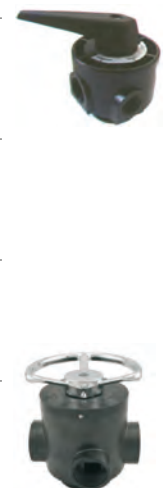
## VALVES IN/OUT PLUG CLACK 3/4"

Code	Description	€
D7173	890C	

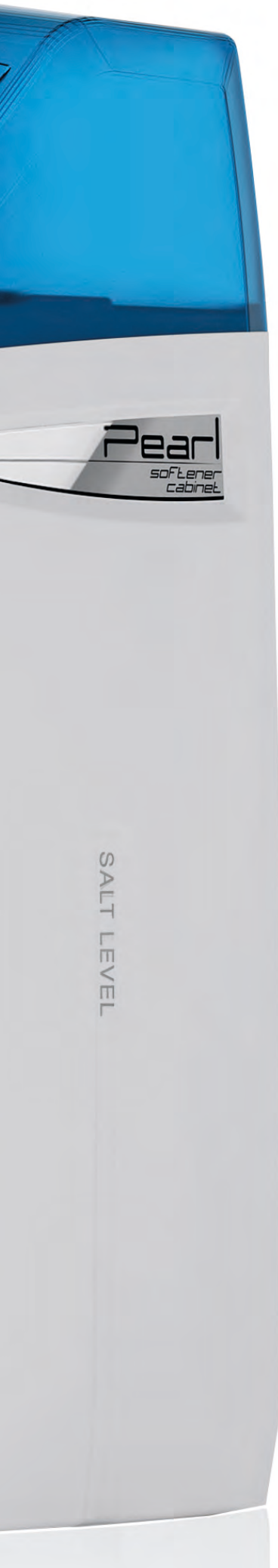


## VALVES WITH MANUAL BACKWASH

Code	Description	€
ARI00104	ABS manual valve F56A2 1" without accessories	
ARI00105	ABS 1" manual valve F56A2 complete with accessories	
ARI00116	Manual valve F56D 2" IN/OUT - 1" 1/2 Drain - 4" Top-Mount without accessories	
ARI00118	Manual valve F56D 2" IN/OUT - 1" 1/2 Drain - 4" Top-Mount with accessories	
ARI00120	Manual valve F56D 2" IN/OUT - 1" 1/2 Drain - Side-Mount without accessories	







# 12.0

*Brine cabinets, brine  
vats and softening  
accessories •  
Hydropneumatic and  
manual valves*



## CABINETS AND SALT VATS PEARL SERIES CABINETS

**Pearl**  
SOFTENER  
CABINET

- White/black cab body
- Blue/black/transparent cab cover
- Salt cover
- Well complete with accessories
- Cylinder Ø 7" to 10"



12.0

Cabinets, brine vats and softening accessories • Hydropneumatic and manual valves



White body  
transparent blue lid



Black body  
smoked black lid



White body  
Transparent cover.



**Innovative Design**

Defined and linear shapes



**Customisation**

Choice of colour (on minimum batches) and branding customisation possibilities



**VERSATILITY**

Valve cover suitable for the main valves on the market



**Italianness**

Designed and manufactured entirely in Italy



**- completeness**

One-piece cabin cruiser with cockpit



**Functional packaging**

Single packaging until final assembly

*Pearl, the new one-piece cabinet for domestic water softeners designed and manufactured by Water Line entirely in Italy is a real gem in terms of design, versatility and functionality.*

*The linearity of the shapes and the colour variants make it a modern design object, suitable to be placed in different environments, without renouncing functionality: consisting of a linear body with dedicated housing for universal Water Line chlorine generators, it is completed by a cover with a semi-transparent front, which can be removed without interfering with the valve.*

*Pearl is also extremely versatile thanks to its high level of compatibility: it is able to accommodate 99% of the valves on the European market such as Autotrol, Canature, Clack, Fleck, Runxin. Particular attention in the product design was also paid to the packaging: the cabinets feature functional packaging designed to remain unique from the first assembly to the transformation into a finished softener.*

**Valve cover designed to accommodate valves**

- Clack Valve
- Autotrol 255 Logix
- Runxin
- Canature
- Fleck 5600

**Version with accessories includes**

- Well
- Cockpit cap
- Overflow

## PEARL MINI SERIES

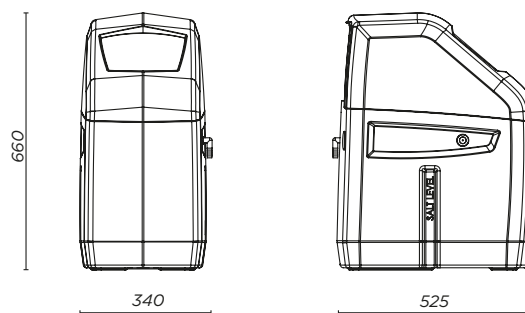
Food-grade HDPE Monobloc Body

ABS lid

Brine lid in food-grade HDPE

Overall dimensions LxWxH: 34x52.5x66 cm

Canisters from: 7x17 - 8x17 - 9x17 - 10x17

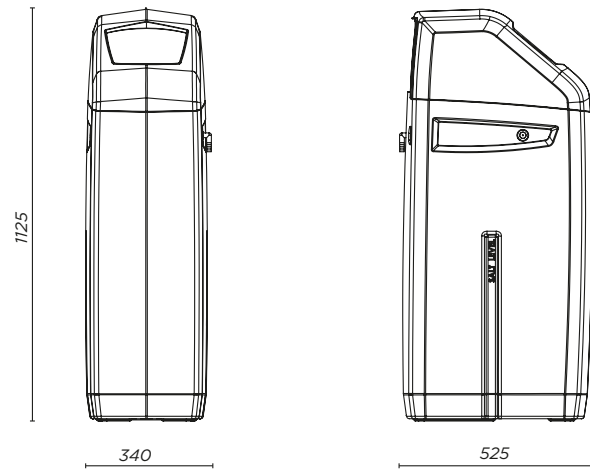


Code	Model	Body	Cover	Cylinder	€
CBWP0717BA	MINI PEARL	WHITE	LIGHT BLUE	7X17	
CBWP0717BT	MINI PEARL	WHITE	CLEAR	7X17	
CBWP0717NN	MINI PEARL	NEGRO	FUMÈ	7X17	
CBWP0817BA	MINI PEARL	WHITE	LIGHT BLUE	8X17	
CBWP0817BT	MINI PEARL	WHITE	CLEAR	8X17	
CBWP0817NN	MINI PEARL	NEGRO	FUMÈ	8X17	
CBWP0917BA	MINI PEARL	WHITE	LIGHT BLUE	9X17	
CBWP0917BT	MINI PEARL	WHITE	CLEAR	9X17	
CBWP0917NN	MINI PEARL	NEGRO	FUMÈ	9X17	
CBWP1017BA	MINI PEARL	WHITE	LIGHT BLUE	10X17	
CBWP1017BT	MINI PEARL	WHITE	CLEAR	10X17	
CBWP1017NN	MINI PEARL	NEGRO	FUMÈ	10X17	

## SERIE PEARL MAXI

Food-grade HDPE Monobloc Body  
ABS lid  
Brine lid in food-grade HDPE

Overall dimensions LxWxH: 34x52.5x112.5 cm  
Canisters from: 7x17 - 8x17 - 9x17 - 10x17



Code	Model	Body	Cover	Cylinder	€
CBWP0735BA	MINI PEARL	WHITE	LIGHT BLUE	7X35	
CBWP0735BT	MINI PEARL	WHITE	CLEAR	7X35	
CBWP0735NN	MINI PEARL	NEGRO	FUMÈ	7X35	
CBWP0835BA	MINI PEARL	WHITE	LIGHT BLUE	8X35	
CBWP0835BT	MINI PEARL	WHITE	CLEAR	8X35	
CBWP0835NN	MINI PEARL	NEGRO	FUMÈ	8X35	
CBWP0935BA	MINI PEARL	WHITE	LIGHT BLUE	9X35	
CBWP0935BT	MINI PEARL	WHITE	CLEAR	9X35	
CBWP0935NN	MINI PEARL	NEGRO	FUMÈ	9X35	
CBWP1035BA	MINI PEARL	WHITE	LIGHT BLUE	10X35	
CBWP1035BT	MINI PEARL	WHITE	CLEAR	10X35	
CBWP1035NN	MINI PEARL	NEGRO	FUMÈ	10X35	

## PEARL SERIES ACCESSORIES

Code	Description	€
CBWP00010A	Transparent Blue Pearl Lid	
CBWP00010N	Transparent Black Pearl Lid	
CBWP00010T	Transparent Pearl Lid	
CBWP00015N	Black brine lid	

## UNDER-SINK CABINETS

### BINGO SERIES

Food-grade PE monobloc body

Brine lid in PP

Overall dimensions LxWxH: 28x48x35.5 cm

Canisters from: 7 "x13"



#### Version with accessories includes

Well

Cockpit cap

Overflow

Code	Description	€
CB100022	BINGO white cabin cruiser with empty salt lid without accessories	
CB100023	White BINGO cabin cruiser with salt cover complete with accessories	
CB100024	BINGO white cabin cruiser with salt cover complete with 7x13 cylinder and accessories	

### MICRO WL SERIES

One-piece body in food-grade HDPE

ABS enclosure lid

7 "x13" cylinders can be inserted

Overall dimensions LxWxH: 20x36x36.5 cm



Code	Description	€
CB300713GB	MICRO cabin cruiser grey/blue complete with 7x13 IDROPRO cylinder	
CB300713GN	MICRO cabin cruiser grey/black complete with 7x13 IDROPRO cylinder	
CB300713WW	MICRO white/white cabin cruiser complete with 7x13 IDROPRO cylinder	

### SERIES UNDER

Food-grade PE monobloc body

Brine lid in PP

Overall dimensions LxWxH: 22.5x43.5x35.5 cm

Canisters from: 7 "x13"



Code	Description	€
CB100020	Cabin UNDER white with empty salt cover without accessories	
CB100021	Cabin UNDER white with salt cover complete with 7x13 cylinder	

#### ACCESSORIES

Code	Description	€
CB100025	Salt cover for UNDER cab	

## CABINETS EUROPE SERIES

**Valve cover designed to accommodate valves**

Siata V132

Fleck 4600/5000/5600/6600/6700

Autotrol 255 Logix

1" Clack valve

**Version with accessories includes**

Well

Cockpit cap

Overflow



# 12.0

## MINIBOX SERIES EUROPE

Food-grade PE monobloc body

PP Food Grade Valve Covers

Food grade PP brine lid

Overall dimensions LxWxH: 32x48x65.5 cm

Canisters from: 7x17 - 8x17 - 9x17

Code	Description	€
CB100120	MINIBOX EUROPA white cabin cruiser with empty slide without accessories	
CB100130	MINIBOX EUROPA white cabin cruiser with slide complete with accessories	

## MAXIBOX SERIES EUROPE

- Overall dimensions LxWxH: 32x48x112 cm

- Canisters from: 7x35 - 8x35 - 9x35

Code	Description	€
CB100220	MAXIBOX EUROPA white cabinet with empty slide without accessories	
CB100230	MAXIBOX EUROPA white cabin cruiser with slide complete with accessories	

## SERIES EUROPE SPARE PARTS

Code	Description	€
CB100202	Black salt cover for Europa-Bingo-Evolution cabin cruisers	
CB100018	Blue cover with slide for Europa cabin cruiser	



## CWS SERIES CABINETS

Food-grade PE monobloc body

Sliding valve cover

**Valve cover designed to accommodate valves**

1" Clack valve

Runxin Valve and Canature

Autotrol 255 Logix and Fleck residential valves

**Version with accessories includes**

Well

Cockpit cap

Overflow

Overall dimensions LxWxH: 18 350x520x705cm - 35" : 350x520x1130



Code	Description	€
CBCWS0018GG	Clack cabin cruiser CWS18 MINI grey sliding cover complete with cockpit and SBV	
CBCWS0818GG	Clack cabin cruiser CWS18 MINI grey sliding cover complete with cockpit, SBV and Ø 8" cylinder	
CBCWS0918GG	Clack cabin cruiser CWS18 MINI grey sliding cover complete with cockpit, SBV and Ø 9" cylinder	
CBCWS1018GG	Clack cabin cruiser CWS18 MINI grey sliding cover complete with cockpit, SBV and Ø 10" cylinder	
CBCWS0035GG	Clack CWS35 MAXI grey sliding cover cabin cruiser complete with cockpit and SBV	
CBCWS0835GG	Clack cabin cruiser CWS35 MAXI grey sliding cover complete with cockpit, SBV and Ø 8" cylinder	
CBCWS0935GG	Clack cabin cruiser CWS35 MAXI grey sliding cover complete with cockpit, SBV and Ø 9" cylinder	
CBCWS1035GG	Clack cabin cruiser CWS35 MAXI grey sliding cover complete with cockpit, SBV and Ø 10" cylinder	
CBCWS1135GG	Clack cabin cruiser CWS35 MAXI grey sliding cover complete with cockpit, SBV and Ø 11" cylinder	

## WL10 SERIES CABINETS

Food-grade PE monobloc body

Food-grade PP valve covers

Food grade PP brine lid

**Valve cover designed to accommodate valves**

1" Clack valve

Runxin Valve and Canature

Autotrol 255 Logix and Fleck residential valves

**Version with accessories includes**

Well

Cockpit cap

Overflow

Overall dimensions LxWxH: 18 350x520x705cm - 35" : 350x520x1130



Code	Description	€
CB360817GNC	WL10 Mini Cabin/Cover black with 8 x 17 cylinder complete with accessories	
CB361017GNC	WL10 Mini/Cover black with 10 x 17 cylinder complete with accessories	
CB360835GNC	WL10 Maxi Cabin/Cover black with 8 x 35 cylinder complete with accessories	
CB361035GNC	WL10 Maxi Cabin/Cover black with 10 x 35 cylinder complete with accessories	

Overall dimensions LxWxH: 18 350x520x705cm - 35" : 350x520x1130



Code	Description	€
CB360817GWAC	WL10 Mini/Cover white cabin cruiser with blue band 8 x 17 cylinder complete with accessories	
CB361017GWAC	WL10 Mini/Cover white cabin cruiser with blue 10 x 17 cylinder band complete with accessories	
CB360835GWAC	WL10 Maxi Cabin/Cover white with blue band 8 x 35 cylinder complete with accessories	
CB361035GWAC	WL10 Maxi Cabin/Cover white with blue band 10 x 35 cylinder complete with accessories	

## BRINE VATS

### BRINE VATS WITHOUT ACCESSORIES

Code	Description	€
TSH00040	Round salt vat 40 l Ø 34 x h 45 empty	
TSH00075	Round salt vat 75 l Ø 34 x h.89 empty	
TSE00040	Square salt vat 40 l 31x 31 x h.44 empty	
TSE00075	Square salt vat 75 l. 31 x 31 x h.89 empty	
TSE00105	Salt vat 100 l Ø 47 x h.63 empty.	
TSE00150	Salt vat 150 l Ø 53 x h.75 empty	
TSE00200	Salt vat 200 l Ø 53 x h.100 empty	
TSE00300	Salt vat 300 l Ø 62 x h.106 empty.	
TSE00500	Salt vat 520 litres Ø 86 x h.115 empty	
TSSD0500	Salt vat 500 l Ø 82 x h.107 empty	
TSSD0800	Salt vat 800 litres Ø 100 x h.120 empty	
TSSD1000	Salt vat 1000 l Ø 116 x h.125 empty	
TSSD1500	Salt vat 1500 litres Ø 122 x h.134 empty	



### TSCAN SERIES BRINE VATS WITH ACCESSORIES

Code	Description	€
TSCAN0070	Salt vat 70 l d400 x h815 with well, cap, grate	
TSCAN0100	Salt vat 100 l d460 x h875 with well, cap, grate	
TSCAN0145	Salt vat 145 l d516 x h950 with well, cap, grate	
TSCAN0200	Salt vat 200 l d585 x h1040 with well, cap, grate	
TSCAN0350	Salt vat 350 l d740 x h1275 with well, cap, grid	
TSCAN0500	Salt vat 500 l d840 x h1335 with well, cap, grate	
TSCAN0750	Salt vat 750 l d960 x h1395 with well, cap, grate	
TSCAN1000	Salt vat 1000 l d1080 x h1460 with well, cap, grate	
TSCAN1500	Salt vat 1500 l d1240 x h1575 with well, cap, grid	
TSCAN2000	Salt vat 2000 l d1360 x h1690 with well, cap, grid	



### BRINE VATS WITH ACCESSORIES

Code	Description	€
TSH00041	Round salt vat 40 l Ø 34 x h 45 complete with well, plug and overflow	
TSH00076	Round salt vat 75 l Ø 34 x h.89 complete with well, plug and overflow	
TSE00041	Square salt vat 40 l 31 x 31 x h.44 complete with well, plug and overflow	
TSE00076	Square salt vat 75 l. 31 x 31 x h.89 complete with well, cap and overflow	
TSE00106	Salt vat 100 l Ø 47 x h.63 complete with well, plug and overflow	
TSE00151	Salt vat 150 l Ø 53 x h.75 complete with well, plug and overflow	
TSE00201	Salt vat 200 l Ø 53 x h.100 complete with well, plug and overflow	
TSE00301	Salt vat 300 l Ø 62 x h.106 complete with well, plug and overflow	
TSE00501	Salt vat 520 litres Ø 86 x h.115 complete with well and overflow	
TSSD0501	Salt vat 500 l Ø 82 x h.107 complete with well and overflow	
TSSD0801	Salt vat 800 litres Ø 100 x h.120 complete with well and overflow	
TSSD1001	Salt vat 1000 l Ø 116 x h.125 complete with well and overflow	
TSSD1501	Salt vat 1500 litres Ø 122 x h.134 complete with well and overflow	



## PERMANGANATE VATS

Code	Description	€
FZA99351	Potassium permanganate preparation vat KMnO4 complete with float valve	
FZA99352	Replacement float valve for permanganate vat	



## ACCESSORIES FOR CABINETS AND SALT VATS

### TSE SALT VAT GRATES

Code	Description	€
ARI00250	Plastic grid for vat 100 l - h 90 mm	
ARI00260	Plastic grid for vat 150 l - h 220 mm	
ARI00270	Plastic grid for vat 200 l - h 220 mm	
ARI00280	Plastic grating for salt vat 300 l - h 300 mm	
ARI00290	Plastic grid for salt vat 520 l - h 400 mm	

### MANHOLES

Code	Description	€
ARICA709	Ø5 cm well for h13" (Micro and Under cab)	
ARI00203	Well Ø10 cm h.58 cm for 100 l TSE vat	
ARI00204	Well Ø10 cm h.100 cm for 100 l TSH and 300 l vat	
ARI00205	Ø10 cm h.70 cm well for 150 litre vat and MIDI cabinets	
ARI00206	Well Ø10 cm h.93 cm for 200 litre vat	
ARI00210	Well Ø10 cm h.38 cm for 40 litre vats and MINI cabinets	
ARI00212	Well Ø10 cm h.80 cm for 75 litre vats and MAXI cabinets	
ARI00223	Well Ø16 cm for 520 l TSE vat	
ARI00220	Well Ø20 cm h.80 cm for 500 l vat TSCAB	
ARI00222	Well Ø20 cm h.125 cm for vat 1000 l TSCAB	
ARI00240	Round plastic cap for Ø10 well	
ARICA710	Moulded cockpit for cabin cruiser H=17" complete with cap	
ARICA712	Moulded cockpit for cabin cruiser H=35" complete with cap	
ARICA714	Moulded cockpit for cabin cruiser H=44" complete with cap	



### COVERS

Code	Description	€
ARI00313	Light blue lid for round vats TSH 40 - 75 - 100 litres	
ARI00314	Black lid for TSE 40 - 75 litre square vats	
ARI00312	White lid for TSE round vat 100 l	
ARI00315	White lid for round vats TSE 150 - 200 l	

# SOFTENING ACCESSORIES

## CHLORINE GENERATORS

### UNIVERSAL MODEL

Progen 3/8" Universal Chlorine generator for resin disinfection with transformer and titanium electrode

Code	Description	€
ARI00570	PROGEN Chlorine generator kit 3/8" JACO	



Progen 1/2" Universal Chlorine generator for resin disinfection with transformer and titanium electrode

Code	Description	€
ARI00571	PROGEN Chlorine generator kit 1/2" JACO	



### MODEL FOR CLACK VALVES

Chlorine generator for Clack valve with titanium electrode, Clack fitting and without transformer

Code	Description	€
ARI00572	PROGEN chlorine generator kit with Clack suction elbow for indoor installation	



ARI00578 PROGEN chlorine generator kit internal mounting 3/8" JACO for Clack

ARI00578	PROGEN chlorine generator kit internal mounting 3/8" JACO for Clack	
----------	---------------------------------------------------------------------	--



ARI00579 PROGEN chlorine generator kit external mounting 3/8" JACO for Clack

ARI00579	PROGEN chlorine generator kit external mounting 3/8" JACO for Clack	
----------	---------------------------------------------------------------------	--



### CHLORINE GENERATOR ELECTRODE FOR RUNXIN VALVE

#### F79/F82

Code	Description	€
ARI00577	PROGEN cell kit for Runxin valve	



## CHLORINE GENERATOR ELECTRODE FOR LOGIX VALVE

Code	Description	€
------	-------------	---

ARI00573	WL Logix style cell kit	
----------	-------------------------	--



## SPARE PARTS FOR CHLORINE GENERATORS

Code	Description	€
------	-------------	---

ARI00570/5	Replacement electrode kit for chlorine-producing cell	
------------	-------------------------------------------------------	--



ARI00574	PROGEN 3/8" JACO chlorine generator replacement kit	
----------	-----------------------------------------------------	--



ARI00575	PROGEN 1/2" JACO chlorine generator replacement kit	
----------	-----------------------------------------------------	--



ARI00576	PROGEN Replacement kit chlorine generator elbow suction Clack	
----------	---------------------------------------------------------------	--



## SALT LEVEL ALARMS

### SALT DETECT

Salt Detect' is specially designed for domestic and industrial water softeners. This detection system can be hung on the wall with double Velcro tape and/or screws. A small electrical box with power supply, built-in alarm signal and LED indicator light is connected to a sensor that monitors the salt level from above. This complete implant can fit in the palm of your hand.

The light signals are obtained thanks to two LED bulbs: "green" continuous light in the absence of an alarm and "red" flashing in the event of an alarm. You can choose whether to set the acoustic signal to a high or low tone or to switch it off with a switch, while the light indicators remain active and visible at all times. Only when the alarm goes off should the vat be filled above the minimum detection line set by the technician. In other words, you will not have to fill the salt vat completely, and in case you do not have a sufficient supply of salt, even a small amount may be enough to automatically switch off the alarm. The detection range is between 11cm and 120cm and can therefore be mounted on any type of salt vat. The detection distance is determined using a 'teach-function' button that must be held down for 2 seconds. The setting remains stored even in the event of a power failure. This unit is available in both a 220 Vac/CE version with interchangeable plugs for various European countries, and a 110 Vac/UL + CUL version with an American/Canadian plug.



Code	Description	€
------	-------------	---

ARI00601	Salt Detect model salt alarm device 220V - 50Hz power supply	
----------	--------------------------------------------------------------	--

## SALT GUARD

This 'wireless salt level alarm system' is designed specifically for home water softeners and operates by means of a transmitter and receiver.

The transmitter is connected via a plastic cable, which can be easily adjusted to any length, to a weight placed over the salt. When the weight tensions the plastic cable, the transmitter moves to a vertical position and then sends a signal (up to a range of 25 metres indoors) to the receiver (equipped with a built-in magnet, to be hung on the refrigerator, for example), which in turn emits an intermittent light signal every 3 seconds. When it is time to add salt, press the 'reset' button on the receiver. Batteries should be replaced once a year (a set of batteries is included in delivery). Ideal for new installations and resale.



Code	Description	€
ARI00600	Salt Guard model battery-powered salt alarm device	



## BRINE SUCTION ACCESSORIES FOR AUTOTROL

Code	Description	€
ARI00320	Mesh diffuser filter for brine suction Autotrol valve without 3/8" hose	
ARI00330	PVC hose Ø 3/8" length 100 cm complete with Autotrol brine suction diffuser filter	
ARI00331	PVC pipe Ø 3/8" length 100 cm without diffuser filter	

## ACCUMULATION-LIMIT TIME

Code	Description	€
ARI00300	Rubber overflow fitting 3/8" complete with nut	
ARI00310	Rubber overflow fitting 1/2" complete with nut	

## BRINE VALVES

Code	Description	€
BR1-100/05	Siata brine valve BR1 height 100 cm pipe Ø 3/8"	
ARI00367	Clack 454 3/4" brine valve	
ARICA701	Brine valve 3/8 H=13" (cm 28.5)	
ARICA700	Brine valve 3/8 H=17" (cm 34.5)	
ARICA702	Brine valve 3/8 H=35" (cm 72.5)	
ARICA704	Brine valve 3/8 H=44" (cm 91.3)	
H4915	Fitting kit 1" for brine valve 494 Polytube connections	
H4940	SBV CLACK 494 1" senza Air Check	
H4950-60	Air check complete 1700 length 60"	





## SPEAKER TUBES

### Ø 21 mm

Code	Description	€
ARI00359	Rigid PVC pipe Ø ext. 21 mm length 120 cm	
ARI00360	Rigid PVC pipe Ø ext. 21 mm length 150 cm	

### Ø 27 mm

Code	Description	€
ARI00364	Rigid PVC pipe Ø ext. 27 mm length 116 cm	
ARI00365	Rigid PVC pipe Ø ext. 27 mm length 160 cm	

### Ø 32 mm

Code	Description	€
ARI00362	Rigid PVC pipe Ø ext. 32 mm length 150 cm	
ARI00361	Rigid PVC pipe Ø ext. 32 mm length 195 cm	

### Ø 50 mm

Code	Description	€
ARI00369	Rigid PVC pipe Ø ext. 50 mm length 195 cm	

### Ø 63 mm

Code	Description	€
ARI00335	Rigid PVC pipe Ø ext. 63 mm length 195 cm	

### Ø 90 mm

Code	Description	€
ARI00336	Rigid PVC pipe Ø ext. 90 mm length 195 cm	

## PIPES WITH BOTTOM DISTRIBUTOR

Code	Description	€
ARICA720	Distributor tube Ø ext. 27 H=17"	
ARICA722	Distributor tube Ø ext. 27/H'(35)	
ARICA724	Distributor tube Ø ext. 27 H=54"	
ARICA726	Distributor tube Ø ext. 27/H'(65)	

## DIFFUSORS BACKGROUND

### Ø 21 mm

Code	Description	€
ARI00350	Lower mushroom diffuser nozzle Ø 21 - slots 0.25 mm D/8.7	
ARI00351	Lower mushroom diffuser nozzle Ø 21 - slots 0.25 mm D/8.11	

### Ø 27 mm

Code	Description	€
ARI00355	Lower mushroom diffuser nozzle Ø 27 - slots 0.25 mm D/8.7	
ARI00352	Lower mushroom diffuser nozzle Ø 27 - slots 0.25 mm D/8.11	
ARI00356	Lower mushroom diffuser nozzle Ø 27 - slots 0.25 mm DS27	

Ø 32 mm

Code	Description	€
ARI00357	Lower mushroom diffuser nozzle Ø 32 - slots 0.25 mm D/8.7	
ARI00353	Lower mushroom diffuser nozzle Ø 32 - slots 0.25 mm D/8.11	
ARI00349	Lower mushroom diffuser nozzle Ø 32 - slots 0.25 mm DS32	

## SUBVALVE

Code	Description	€
ARI00340	Nozzle cracks undervalue bayonet connection Ø 21 mm ADB	
ARI00345	Nozzle cracks undervalue bayonet connection Ø 27 mm ADB	
ARI00347	Nozzle crevices undervalue threaded connection Ø 32 mm ASF32	
ARI00348	Nozzle cracks undervalue bayonet connection Ø 32 mm ASB32	
D1199-05	Under-valve diffuser for Clack QC Ø 63	



## FLEXIBLE PIPES

ONLY AVAILABLE IN COMPLETE ROLLS

Code	Description	€
OI022104	Transparent 3/8" PE hose for brine suction, reels of 100 m	
OI022103	Transparent 1/2" PE hose for brine suction, reels of 100 m	



## EXTENSIONS - REDUCTIONS - CAPS

### EXTENSION CORDS

Code	Description	€
ARI00112	M/F extension for cylinder 2" 1/2 h. 4 cm for RunXin	



### REDUCTIONS

Code	Description	€
ARI00400	PVC threaded reduction 4" x 2" 1/2 complete with O-ring	
ARI00410	Threaded PVC reduction 6" x 4" complete with O-ring	



### CAPS

Code	Description	€
ARI00420	PVC threaded plug 2" 1/2 complete with O-ring	
ARI00430	4" PVC threaded plug complete with O-ring	
ARI00440	6" PVC threaded plug complete with O-ring	



# MANUAL VALVES

## IN/OUT VALVES

Code Description €

ARI00098 PVC 3/4" 2-way manual cap valve without accessories



ARI00099 PVC 3/4" 2-way manual cap valve complete with accessories

ARI00101 PVC 1" 2-way manual cap valve without accessories



ARI00103 PVC 1" 2-way manual cap valve complete with accessories

D1220-01 CLACK openable 2-way cap valve without accessories



D1400 CLACK 2-way closed cap valve without accessories



## VALVES IN/OUT PLUG CLACK 3/4"

Code Description €

D7173 890C



## VALVES WITH MANUAL BACKWASH

Code	Description	€
ARI00104	ABS manual valve F56A2 1" without accessories	
ARI00105	ABS 1" manual valve F56A2 complete with accessories	
ARI00116	Manual valve F56D 2" IN/OUT - 1" 1/2 Drain - 4" Top-Mount without accessories	
ARI00118	Manual valve F56D 2" IN/OUT - 1" 1/2 Drain - 4" Top-Mount with accessories	
ARI00120	Manual valve F56D 2" IN/OUT - 1" 1/2 Drain - Side-Mount without accessories	







# 13.0

***Microfiltration  
Reverse osmosis plants  
Accessories and spare  
parts***



# SMALL BOX FILTER

## SMALL BOX FILTER

**Stainless steel**

**Installation under-sink**

**Removes bad taste and odours**

**Antibacterial Ultrafiltration for drinking water**

**1-way tap included**

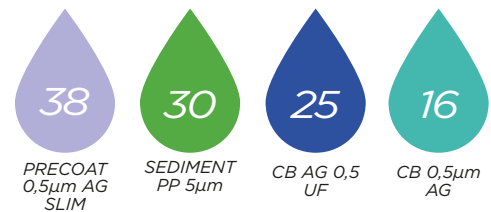


### Features

- Dispenser capable of treating drinking water from the water mains.
- It consists of two of OCEANO filtration and is able to eliminate odours and tastes through the microfiltration filter, and bacteria through an ultrafiltration stage.
- Litre/hour counter for signalling filter exhaustion.
- Weight 4.5/7 kg
- Power supply: drinking water supply
- Power supply voltage: 2 AA
- Filtration: OCEANO OK38S00/ON30S00/ON25S00/ON16S00

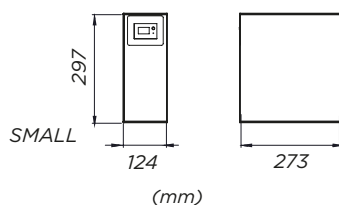
**Accessories included:** 1-way tap cod. OI021999

**Accessories not included:** Inlet stop valve cod. ASV11



### SMALL BOX FILTER

Code	Description	Height	Width	Depth	€
OKBOX01	1 head filter box without filters	302	125	290	
OKBOX02	ON30+ON25 Filter Box	302	125	290	
OKBOX03	ON30+ON16 Filter Box	302	125	290	
OKBOX04	ON30+ON38 Filter Box	302	125	290	



## UNDER-BONNET BOX FILTER

**Stainless steel**

**Installation under counter and undersocket**

**Removes bad taste and odours**

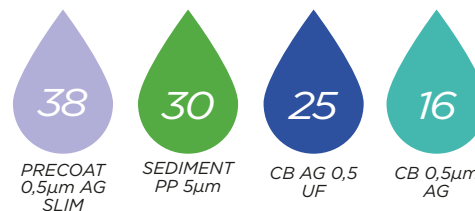
**Antibacterial Ultrafiltration for drinking water**

**1-way tap included**



### Features

- Dispenser capable of treating drinking water from the water mains.
- It consists of two stages of OCEANO filtration and is able to eliminate odours and tastes through the microfiltration filter, and bacteria through an ultrafiltration stage.
- Box Filter undersocket is also available as an IN LINE filter version with three stages of filtration:
  - GAC (granular active carbon) for removal of chlorine, odours and tastes)
  - MELT BLOW for mechanical action at 5 microns
  - UF for bacteria removal
- Litre/hour counter for signalling filter exhaustion.
- Weight 4.5/7 kg
- Power supply: drinking water supply
- Power supply voltage: 2 AA
- Filtration: OCEANO OK38S00/ON30S00/ON25S00/ON16S00

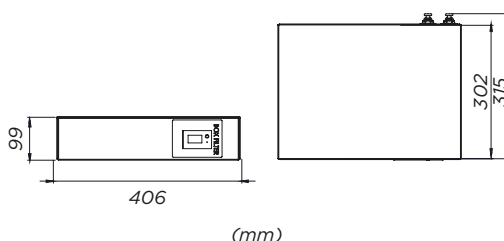


**Accessories included:** 1-way tap cod. OI021999

**Accessories not included:** Inlet stop valve cod. ASV11

### UNDER-BONNET BOX FILTER

Code	Description	Height	Width	Depth	€
OKBOX09	Under-plinth filter box H.10 GAC+SED+UF IN LINE	99	406	302	
OKBOX10	Under-plinth filter box H.10 ON30+ON25 MEDIUM	99	406	302	
OKBOX11	Under-plinth filter box H.10 ON30+ON16 MEDIUM	99	406	302	
OKBOX12	Under-plinth filter box H.10 ON30+ON10 MEDIUM	99	406	302	
OKBOX13	Under-plinth filter box H.10 ON16	99	406	302	



## MICRO FILTER

**Installation under counter**

**UV sterilizer**

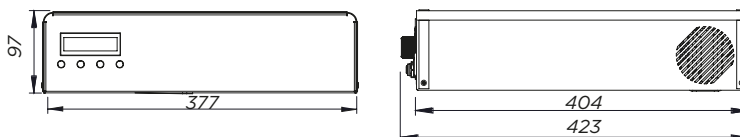
**Anti flooding probe**



### Features

- Supplies the end user with odour/taste-free and bacteria/virus-free water using UV or UF technology.
- AISI304SB stainless steel casing with very compact dimensions; the equipment can also be installed under the counter, as well as vertically and horizontally.
- It is equipped with a control unit that indicates when the filter needs to be changed and an anti-flooding probe that can block the equipment in the event of problems.
- Available in 3 versions:  
 OK10S00 + UV LAMP  
 OK16S00 + UV LAMP  
 OK20S00 + OK30S00 + OK25S00
- Weight: 4.5 kg
- Power supply: drinking water supply
- Supply voltage: 230/240 V - 50 Hz
- Power consumption: 65W

Code	Description	Height	Width	Depth	€
MCF-S001	Micro Filter small UV + ON10S	97	377	421	
MCF-S002	Micro Filter small UV + ON16S	97	377	421	
MCF-S003	Micro Filter small + ON20S + ON30S + ON25S	97	377	421	



(mm)

## MICRO GAS

**Stainless steel**

**Installation under counter and undersocket**

**Removes bad taste and odours**

**1-way tap included**



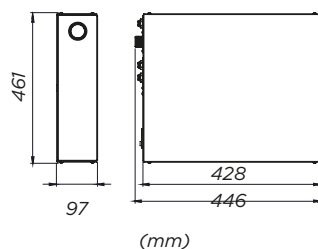
### Features

- It supplies the end user with room temperature carbonated water and filtered natural water.
- MICRO GAS is equipped with an OCEAN filtration stage (ON16) that removes odours and flavours and retains all water impurities.
- The enclosure is made of AISI304SB stainless steel and has very compact dimensions. The appliance can also be installed under the counter, vertically and horizontally.
- It is equipped with a pressure gauge to display the working pressure of the pump.
- Weight: 7 kg
- Power supply: drinking water network
- Supply voltage: 220/240 V - 50 Hz
- Absorption: 1A



CB 0,5µm  
AG

Code	Description	Height	Width	Depth	€
MCG-M001	Micro Gas medium H.10 + Installation Kit + ON16	97	361	446	



# RO PRE-ASSEMBLED KITS DOMESTIC SERIES ECO SLIM

**Reduce total salinity**

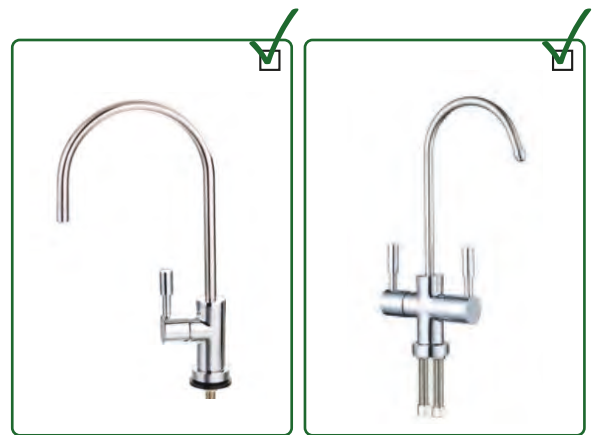
**Improve taste and odours**

**Produce light water, with low total dissolved solids**



### Features

- ECO SLIM is an appliance for direct reverse osmosis production, able to improve the chemical characteristics and taste of drinking tap water.
- ECO SLIM is built in AISI304 SB, with tiny dimensions, installable under counter and under socket of the kitchen. The functioning is automatic, managed by a electronic board.
- Power supply 230V 50Hz
- Protection grade IP20
- Water supply 1-6 bar 5-30°C
- Connections IN 8mm, permeate 6mm, drain 6mm
- Max inlet conductivity 1.200 microS/cm
- Mix and total by-pass valve
- Recovery ration 40%
- Dimensions: 97 x 377 x 421 cm
- Power socket C13 with switch, fuse and shucko plug
- Automatic functioning with max pressure switch
- Electronic control with leak detector

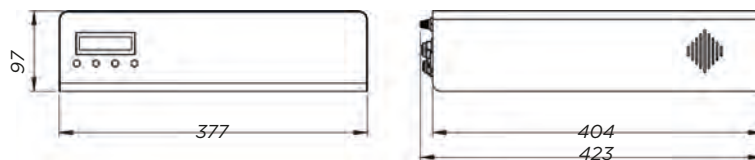


### Accessories included:

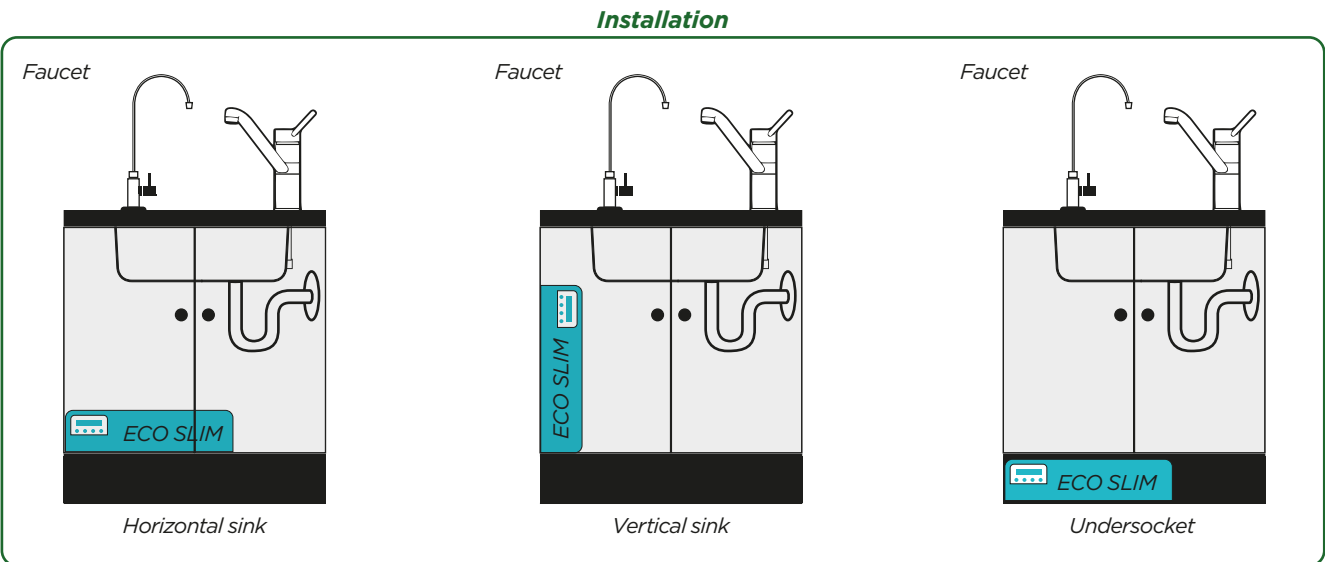
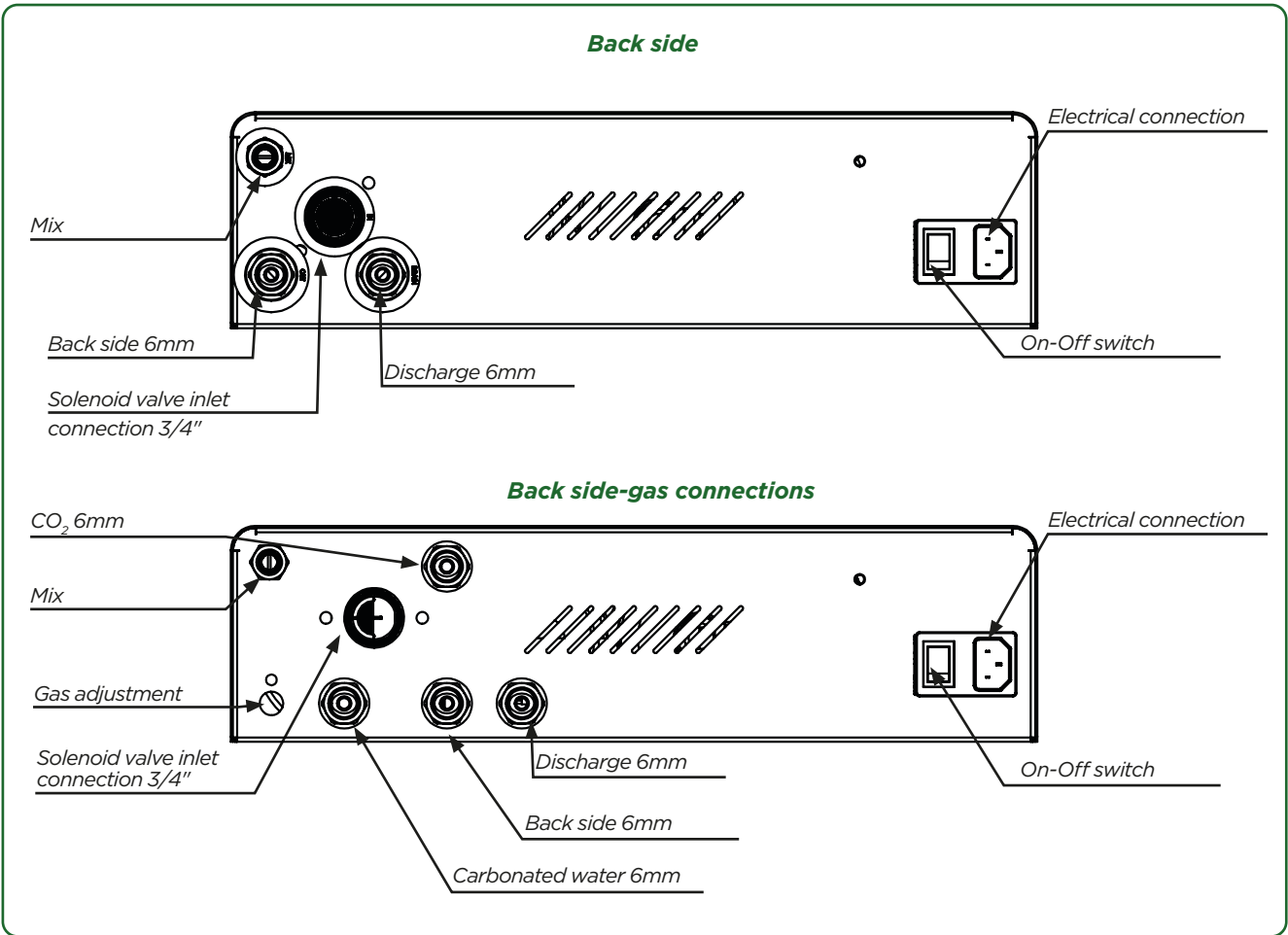
- Gooseneck faucet
- Inlet valve 3/8"
- Hoses 8mm, 6mm
- Drain clamp

### Accessories not included in GAS model, to order separately:

- CO<sub>2</sub> cylinder and pressure reducer
- External prefilter



(mm)



Code	Description	Production l/min.	Prefilter	Pump	€
OIRECSL0001	ECO SLIM STD+ 1-way tap	90 +- 15%	GAC In line 2.5x12"	Booster	
OIRECSLDP0001	ECO SLIM DISPLAY+ 1-way tap	90 +- 15%	GAC In line 2.5x12"	Booster	
OIRECSLGS0001	ECO SLIM GAS+ 2-way tap	110 +- 15%	-	Vane	
OIRECSLPL0001	ECO SLIM PLUS+ 1-way tap	110 +- 15%	GAC In line 2.5x12"	Vane	



## RO DIRECT

Reduce total salinity

1-way tap included



Only for cod. OI20023

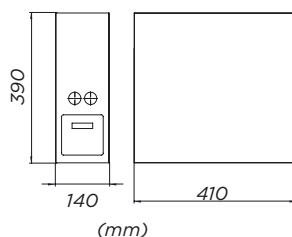
### Features

- The RO DIRECT equipment is a reverse osmosis plant, with direct production, built inside a skinplate enclosure, capable of refining the organoleptic and chemical characteristics of drinking water by reducing its salt content while guaranteeing safety from a bacteriological point of view.
- It can be installed in both homes and workplaces.
- The equipment is available in two different versions in order to meet the most diverse flow rate requirements.
- The device is equipped with a digital control unit with display, anti-flooding, conductivity reading and alarm.
- RO-DIRECT 90 is equipped with 2 carbon pre-filters code OI023010.

### Accessories included:

- 1 Chrome-plated tap Long Reach cod. OI022021
- 1 Drainage bracket cod. OI022033
- Fittings and pipes for installation

Code	Description	Production l/h	System recovery %	Pump	Membrane	€
OI20023	Production reverse osmosis system direct RO DIRECT 90 lt + Tap	90	30	Vane 300	2x180 GPD	
OI20027	Production reverse osmosis system direct RO DIRECT 150 lt*	150	30	Vane 400	2x400 GPD	



## RO PRE-ASSEMBLED KITS PROFESSIONAL SERIES RO WASH 180 - 240

**Electronic control with touch screen and digital sensors**

**High productivity in small space**

**H24 functioning with water cooled motor**

### Features

- Directly produced, ductile and versatile reverse osmosis equipment for HoReCa, pharmaceutical, cosmetic and food applications.
- They have a high production of quality osmotic water by means of new Waterline nanotechnology membranes.
- RO Control is the innovative control board with colour touch screen, digital sensors for flow, pressure and conductivity, with automatic calculation of filter exhaustion, recovery rate and rejection rate; ready for remote connection via Wifi or GSM expansion.
- AISI 304 stainless steel housing.
- Mixing valve and total manual by-pass in the event of machine downtime.
- Pre-filtration with standard OCEANO Medium active carbon 5 micron cartridge (GAC or Carbon Block technology) with automatic flushing at filter change controlled by RO Control.

### INLET WATER FEATURES

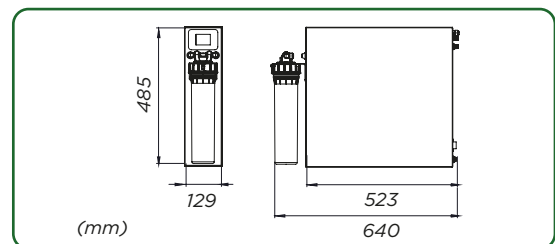
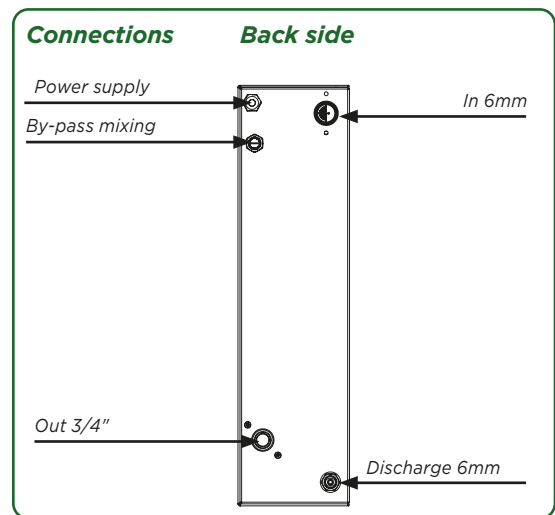
Inlet water temperature	5/35°C (min-max)
Inlet water pressure	1.5 - 6 bar (min-max)
Inlet water hardness	35°F (max)
Minimum required flow rate	500 l/h

### ELECTRIC FEATURES

Power supply	Single phase + earth
Voltage	220-240 v
Absorption	1.5 - 3.5 A (min-max)
Frequency	50/60 hz
Power consumption	330-550 w (min-max)
Protection fuse	3,15 t

### Environmental specifications

Max. relative humidity	90%
Environmental temperature	3°-40° C (min-max)



### FEATURES

Code	Continuous permeate flow @ 15°C l/h	Nominal membrane reaction	Average membrane reaction	Membrane working pressure bar	Recovery rate	Prefiltration osmosis mod.	Prefilter size
OIPRW3M01	180	99%	95%	9-10	35-60%	OK20 - ON20 OK45- ON45	Small - Medium
OIPRW4M01	240	99%	95%	9-10	35-60%	OK20 - ON20 OK45- ON45	Small - Medium

Code	Description	Production	Capacity l/h	Nr. of membranes	€
OIPRW3M01	Ro Wash 180 l/h	Ho.Re.Ca. pharmaceutical cosmetics food	180	3-2012	
OIPRW4M01	Ro Wash 240 l/h	Ho.Re.Ca. pharmaceutical cosmetics food	240	4-2012	

## RO WASH 180 W/TANK

Electronic control with touch screen and digital sensors

Integrated tank in small space

H24 functioning with water cooled motor

### Features

- Reverse osmosis equipment with integrated tank designed for professional glasswashers both with and without break tank, capable of delivering 4 litres in 15 seconds.
- It has a high production of quality osmotic water by means of new Waterline nanotechnology membranes.
- RO Control is the innovative control board with colour touch screen, digital sensors for flow, pressure and conductivity, with automatic calculation of filter exhaustion, recovery rate and rejection rate; ready for remote connection via Wifi or GSM expansion.
- AISI 304 stainless steel housing.
- Mixing valve and total manual by-pass in the event of machine downtime.
- Pre-filtration with standard OCEANO Medium active carbon 5 micron cartridge (GAC or Carbon Block technology) with automatic flushing at filter change controlled by RO Control.



### INLET WATER FEATURES

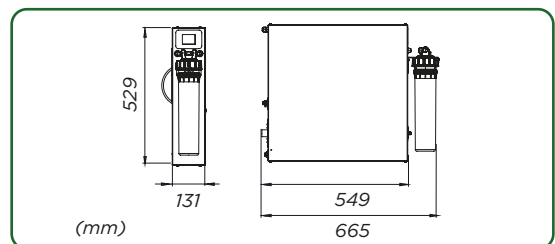
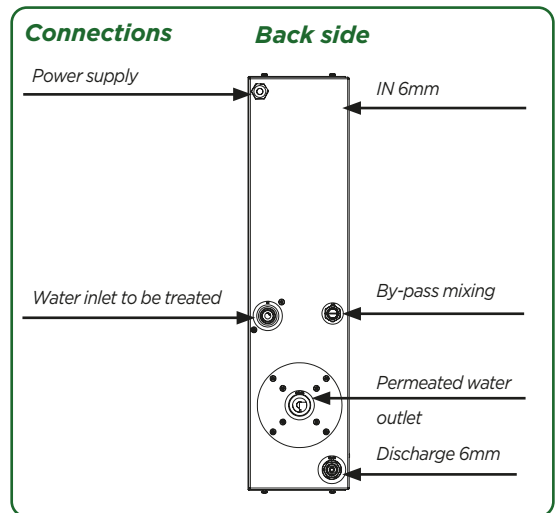
Inlet water temperature	5/35°C (min-max)
Inlet water pressure	1.5 - 6 bar (min-max)
Inlet water hardness	35°F (max)
Minimum required flow rate	450 l/h

### ELECTRIC FEATURES

Power supply	Single phase + earth
Voltage	220-240 v
Absorption	1.5 - 3.5 A (min-max)
Frequency	50/60 hz
Power consumption	330 (min)
Protection fuse	3,15 t

### Environmental specifications

Max. relative humidity	90%
Environmental temperature	3°-40° C (min-max)



### FEATURES

Code	Continuous permeate flow @ 15°C	Flow rate instantaneous @ 2,5 bar TANK	Flow rate instantaneous @ 2 bar TANK	Flow rate instantaneous @ 2,5 bar TANK	Nominal membrane reaction	Average membrane reaction	Membrane working pressure	Recovery rate	Prefiltration osmosis	Prefilter size
	l/h	l/min	l/min	l/min			bar		mod.	
OIPRW3MV01 180	180	15	14.5	14.1	99%	95%	9-10	35-60%	OK20 ON20 OK45 ON45	Small Medium

Code	Description	Production	Capacity	Nr. of membranes	€
			l/h		
OIPRW3MV01	Ro Wash 180 l/h + Tank 7,5l	Ho.Re.Ca. pharmaceutical cosmetics food	180	3-2012	

## RO WASH 350

**Electronic control with touch screen and digital sensors**

**High production and integrated 30 liters tank**

**H24 functioning with water cooled motor**

### Features

- RO WASH 350 is a high production reverse osmosis equipment with integrated tank for HoReCa, pharmaceutical, cosmetic and food applications.
- It has a high production of quality osmotic water by means of new Waterline nanotechnology membranes.
- RO Control is the innovative control board with colour touch screen, digital sensors for flow, pressure and conductivity, with automatic calculation of filter exhaustion, recovery rate and rejection rate; ready for remote connection via Wifi or GSM expansion.
- AISI 304 stainless steel housing.
- Mixing valve and total manual by-pass in the event of machine downtime.
- Pre-filtration with 3 OCEANO Medium active carbon 5 micron cartridges as standard (GAC or Carbon Block technology) with automatic flushing at filter change controlled by RO Control.



### INLET WATER FEATURES

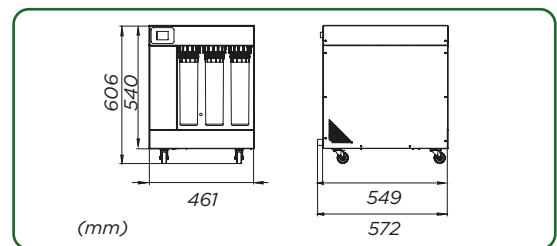
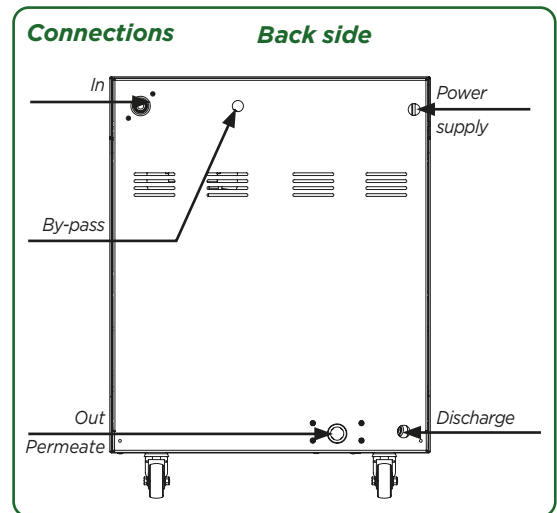
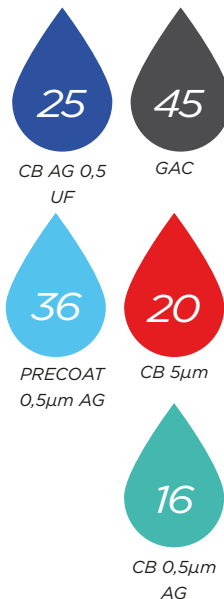
Inlet water temperature	5/35°C (min-max)
Inlet water pressure	1.5 - 6 bar (min-max)
Inlet water hardness	35°F (max)
Minimum required flow rate	1000 l/h

### ELECTRIC FEATURES

Power supply	Single phase + earth
Voltage	220-240 v
Absorption	3.5 A (min-max)
Frequency	50/60 hz
Power consumption	550 W
Protection fuse	3,15 t

### Environmental specifications

Max. relative humidity	90%
Environmental temperature	3°-40° C (min-max)



### FEATURES

Code	Continuous permeate flow @ 15°C l/h	Nominal membrane reaction	Average membrane reaction	Membrane working pressure bar	Recovery rate	Prefiltration osmosis mod.	Prefilter size
OIPRW35V201	350	99%	95%	9-10	35-60%	OK20 ON20 OK45 ON45	Medium

Code	Description	Production	Capacity l/h	Nr. of membranes	€
OIPRW35V201	Ro Wash 350 w/Tank 20l	Ho.Re.Ca. pharmaceutical cosmetics food	180	3-2012 2-400 GPD	

## MINI OSMOGAS FRESH DRY UNDER

Osmosis filtration system

Compact size

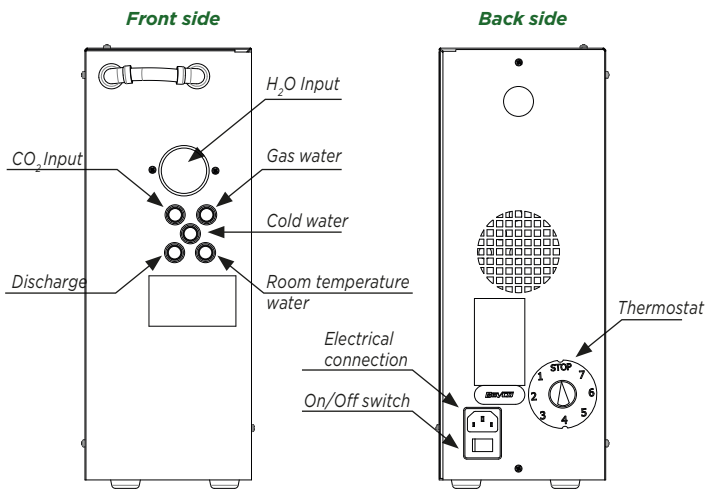
Dispenses a carafe continuously

### Features

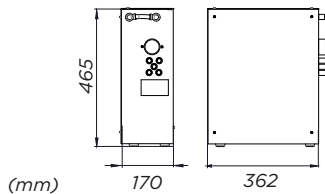
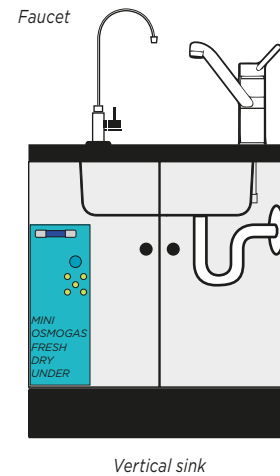
- Under counter dispenser with filtration system that uses a direct reverse osmosis technology, providing osmotic water at room temperature, cold still water and cold sparkling water.
- Dry cooling system is aluminum block. The external housing is white.
- The use of a 400 gallon membrane guarantees a high production of osmotic water.
- Power supply 230V 50Hz
- Power consumption 500W
- Nominal system flow-rate 90 l/h
- Minimum water supply pressure 2 bar
- CO<sub>2</sub> supply pressure 3,5 bar
- Max inlet water temperature 20 °C
- Max working pressure 9 bar
- Water supply 2-6 bar 5-30°C



### Connections



### Installation



Code	Description	Production	Prefilter	Pump	€
OI20096R2	Mini Osmogas Fresh Dry Under	90 l/h +- 15%	Not included*	Vane	

\*Recommended filter OCEANO ON20



## INDUSTRIAL SERIES WRO SERIES

The WRO series plants are compact and pre-assembled on a stainless steel tubular frame, complete with double cartridge pre-filtration inside plastic filter housings, a high-pressure brass vane pump, a minimum pressure switch and an electrical panel for fully automatic operation controlled by a magnetic float level probe.

### VERSION WITH RO LED CONTROL UNIT

Code	Description	€
OI20110	O/I plant WRO 30	
OI20130	O/I WRO 70 plant	
OI20140	O/I WRO 140 system	
OI20150	O/I WRO 200 system	



### VERSION WITH CONTROL UNIT RO DISPLAY

Code	Description	€
OI20110/1	O/I plant WRO 30	
OI20130/1	O/I WRO 70 plant	
OI20140/1	O/I WRO 140 system	
OI20150/1	O/I WRO 200 system	



Code	Production l/h	Production l/g	Recovery system	Output motor	Dimensions HxWxD cm	Membrane Rejection
OI20110	30	450	20%	245 W	42x40x30	96-98%
OI20130	70	1050	20%	560 W	101x47x40	96-98%
OI20140	140	2100	35%	560 W	101x47x40	96-98%
OI20150	200	3000	45%	560 W	101x47x40	96-98%

## RECOMMENDED ACCESSORIES

Code	Description	€
OI20210	Pair of flowmeters for measuring and adjusting permeate and rejection, square connection	



## REVERSE OSMOSIS COMPONENTS GAC INLINE FILTERS

Code	Description	€
OI023012	In-line filter with granular activated carbon d.50 l=6" att.d.1/4"	
CAR3009-X	In-line filter-Granular activated carbon-2"x10"	
CAR3009/GOLD	In-line filter-Granular activated carbon with coconut-2" x10"	
OI023010A	IN LINE filter WL granular carbon d.50 L=10" att.1/4	
OI023010	IN LINE filter with granular activated carbon d.50 - 2" L=10" att.1/4	
CAR3011-X	In-line filter-Granular activated carbon-2½"x12"-1/4"	
OI023018A	IN LINE filter WL granular carbon d.63 L=12" att.1/4"	
OI023018	IN LINE filter carb. att. gran d.=63 L=12" att. 1/4"	

NEW



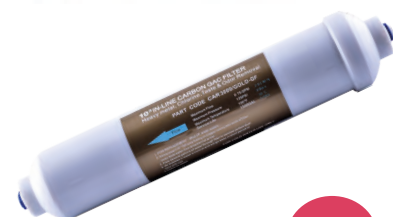
NEW



## SEDIMENT INLINE FILTERS

Code	Description	€
CAR3031	In-line filter-Sediment-2"x5"-5μ	
OI023016	IN LINE filter for sediment 5 m d.=50 L=5" att. 1/4"	
CAR3010	In-line filter-Sediment-2"x10"-5μ	
OI023014A	IN LINE filter WL sediment 5 m d.50 - L=10" att. 1/4"	
OI023014	IN LINE filter for sediment 5 m d.50 - L=10" att. 1/4"	
CAR3025	In-line filter- Sediment-2½" x12"-5μ-1/4"	
OI023020A	IN LINE filter WL sediment 5 m d.63 L=12" att.1/4"	
OI023020	IN LINE filter for sediment d. 63 L=12" att.1/4"	
CAR3025-QF3/8	In-line filter-Sediment-2½"x12"-5μ- QF 3/8" connections	

NEW



## CTO INLINE FILTERS

Code	Description	€
CAR3009-C-X	Inline filter - Block carbon - 2"x10" - 5μ	
CAR3009C/GOLD-X	Inline filter - Block carbon with coconut - 2"x10" - 5μ	
CAR3009C/GOLD-QF-X	Inline filter - Block carbon with coconut - 2"x10" - 5μ-QF 1/4"	
CAR3900-100%	Inline filter vegetal coconut carbon in block sintered 2"x10" 0.5μ	
CAR3026/GOLD-X	Inline filter - Block carbon with coconut - 2½"x12" - 5μ	
OI023029	IN LINE filter Carbon Block extruded d.63 L=12" att.1/4	
CAR3026/GOLD-QF3/8	Inline filter - Block carbon with coconut - QF connections 3/8"	
CAR3011C-X	Inline filter - Block carbon - 2½"x12" - 10μ-1/4"	

NEW



## DOUBLE O-RING CARTRIDGES REPLACEMENT OSMOSIS

Code	Description	€
CX5027521	Extruded Carbon Block cartridge Ø48 h.265	
CX5027520	Extruded Carbon Block cartridge Ø48 h.270 for Culligan	
PP4827521	Melt Blown PP Cartridge 5m Ø48 h 265	
PP4827520	Melt Blown PP Cartridge 5m d.48 h 270 for Culligan	



## ULTRAFILTRAZIONE IN LINEA UF LENGTH 10"

### Technical characteristics

- Nominal filtration: 0.08 µm
- Maximum flow rate: 4 l/min.
- Maximum pressure: 4 bar
- Maximum temperature: 40° C
- Autonomy: 1500 l
- Inlet/Outlet: 1/4"
- Dimensions: Ø 2" x 10" L



Code	Description	€
OI023044	Inline ultrafiltration system 1/4" female connection	

## UF LENGTH 12"

### Technical characteristics

- Size: 2" 1/2 x12"
- In/Out connections 1/4 stem
- Capacity: 3.8 l/min = 3 bar
- Pressure 0.7-5 bar
- Duration: 2500 gal (9500 l)
- Bacteria reduction 99%
- Packaging: 25 pcs.
- Note: no containers required

NEW



Code	Description	€
CAR9000X	Inline Filter - Ultrafiltration Membrane - 2 1/2"x12"	

## UF LENGTH 6"

In-line ultrafiltration cartridge/membrane.

### Technical characteristics

- Membrane material: polysulfone
- Filtration: less than 0.04 µm
- Water flow: 50 l/min. per m<sup>2</sup>
- Pressure: 0.5 - 4 bar
- Ultrafiltration flow rate: approx. 8 l/min at 2.5 bar



Code	Description	€
OI023034	Inline ultrafiltration system 1/4" spigot connection	

## SSU ULTRAFILTRATION

### Technical characteristics

- Membrane material: polysulfone
- Max inlet pressure: 6 bar
- Max inlet temperature: 50°C
- Connection: threaded 1/2"



Code	Max inlet pressure bar	Max temperature inlet °C	Internal filtering surface m <sup>2</sup>	Material	Flow rate l/min	Connections
OI023052	6	50 °C	2,8	Polysulfone	18,0	1/2"
OI023053	6	50 °C	1,0	Polysulfone	9,0	1/2"

Code	Description	€
OI023052	Single stage ultrafiltration M03501 SSU 28	
OI023053	Single stage ultrafiltration M90016 SSU DOME	

# INLINE FILTER SYSTEMS

## KIT COMPLETO TRASPARENTE

Code	Description	€
O1023030	In-line filter Ø63 length 12" connections 1/4" Female transparent with Carbon Block Ag 0.3µm cartridge	
O1023130	In-line filter Ø63 length 12" connections 1/4" Female transparent with extruded Carbon Block cartridge 5µm	
O1023230	In-line filter Ø63 length 12" connections 1/4" Female transparent with Melt Blown PP 5µm cartridge	
O1023038	Refillable in-line post-filter remineralizing / neutralizing	



## COMPLETE WHITE KIT

Code	Description	€
O1023032	In-line filter Ø63 length 12" connections 1/4" Female white with Carbon Block Ag 0.3µm cartridge	
O1023132	In-line filter Ø63 length 12" connections 1/4" Female white with extruded Carbon Block cartridge 5µm	
O1023232	In-line filter Ø63 length 12" connections 1/4" Female white with Melt Blown cartridge in PP 5µm	



## REPLACEMENT CARTRIDGES IN LINE

Code	Description	€
CA90180	Ag Carbon Block Cartridge 0.3µm Ø50 threaded connection 1/4" Male	
PP90180	PP Melt Blown Cartridge 5µm Ø50 threaded connection 1/4" Male	
CX90180	Extruded Carbon Block Cartridge 5µm Ø50 threaded connection 1/4" Male	



## CONTAINER

Code	Description	€
O1023022	Empty plastic container AS transparent Ø50 length 10" connections 1/4" Female	
O1023024	Empty plastic container PP white Ø50 length 10" connections 1/4" Female	
O1023026	Empty plastic container AS transparent Ø63 length 12" connections 1/4" Female for IN-LINE cartridges Ø50	
O1023028	Empty plastic container PP white Ø63 length 12" connections 1/4" for IN-LINE cartridges Ø50	



13.0

Microfiltration • Reverse osmosis plants. Accessories and spare parts

## LITRE COUNTER

### DIGIFLOW 8000T-L



#### Technical characteristics

- METERS/TIME/FLOW DigiFlow 8000T-L, equipped with LCD display.
- Programmable from 500 to 99,500 liters and from 30 to 720 days.
- Equipped with instant detection of the flow rate of water passage. In/out 3/8" NPT.
- The LCD display signals when the limit of the filter's working capacity is reached.
- To be placed at the filter outlet as it is sensitive to the presence of coarse particles in the water.
- 2 AAA alkaline batteries are required with a duration of one year. If the batteries are flat, the last processed data will be automatically stored inside the instrument.

Code	Description	€
DF086L	DigiFlow 8000T-L Flow-Time-Liter Counter	

## BLOCK COUNTER



#### Technical characteristics

- This unique and patented system for measuring the volume of water passed automatically stops the flow once the set value has been reached.
- Ideal for application in systems where filter changes are essential for the correct functioning of the system or for current regulations relating to drinking water systems.
- Maximum capacity: 6000 l
- Working pressure: min 1 bar, max. 8.7 bar
- in/out: 1/4" threaded connection

Code	Description	€
01022038/C	WATERMINDER - CA Automatic Block Counter	

## PROFESSIONAL FLOW COUNTER BOX



#### Technical characteristics

- Professional mechanical counter, non-resettable, wall/panel mountable with 3/8" quick couplings.

Code	Description	€
CTLCMP	Literal counter box / Water flow meter	

## IN-LINE ULTRAFILTRATION PLASTIC CLIPS FOR O/I

Code	Description	€
OI023000	Single Ø 50 white PVC bracket for in-line filters	
OI023001	Single bracket Ø 63 white PVC support for vessel 1812 and in-line filters	
OI023009	Single white PVC bracket Ø 90 for vessel 3012 - 3"	
OI023007	White PVC double Ø 50-50 bracket for in-line filters	
OI023002	White PVC double bracket Ø 50-63 for vessel 1812 and in-line filters	
OI023003	White PVC double bracket Ø 63-63 for vessel 1812 and in-line filters	
OI023004	White PVC bracket for shut-off S3000B	



## SHEET METAL BRACKETS

Code	Description	€
CP100106	White painted double bracket	
CP100109	White painted triple bracket	
OI023008	White painted triple bracket	



## SHUT-OFF VALVES

Code	Description	€
OI022034	Automatic shut-off valve for O/I complete with Jaco fitting for pipe Ø 6 mm	
OI022035	Automatic shut-off valve for O/I complete with quick-connect fitting for Ø 1/4" pipe	



## FLOW RESTRICTOR

### CARTRIDGE

Code	Description	€
OI024041	Non-return valve cartridge without fitting	
OI024047	Flow restrictor cartridge 50 gpd yellow without fitting	
OI024043	Flow restrictor cartridge 70 gpd blue without fitting	
OI024048	Flow restrictor cartridge 100 gpd red without fitting	
OI024050	Flow restrictor cartridge 200 gpd brown without fitting	



### INLINE FLOW RESTRICTOR

Code	Description	€
OI024052	Inline flow-restrictor hose diameter 1/4" 350 ml/min	
OI024053	Inline flow-restrictor 1/4" hose diameter 800 ml/min	
CA-FR5030-Q	Flow regulator-300ml- 1/4"QF	
CA-FR5042-Q	Flow regulator- 420ml-1/4"QF	
CA-FR5055-Q	Flow regulator- 550ml-1/4"QF	
CAR4011	Flow regulator-400ml-1/4"Jaco	
CAR4012	Flow regulator-500ml-1/4"Jaco	

**NEW**

**NEW**





## BRACKET

Code	Description	€
OIO22033	O/I drain clamp	
CAR4016	Jaco-Concentrated Exhaust-1/4"	
CA-CU114B-Q	Concentrated Exhaust-1/4"QF	<b>NEW</b>
CA-CU138B-Q	Concentrated Exhaust-3/8"QF	



## CONNECTION ACCESSORIES

Code	Description	€
CA-BV2044-Q	Metal Ball Valve-1/4"QFx1/4"MIP	<b>NEW</b>
CAR4023-3/8-X	Ball Valve Adapter-3/8"FNPT	<b>NEW</b>
CAR4023-X	Ball Valve Adapter-1/2"FNPT	<b>NEW</b>
CAR4023-3/4-X	Ball Valve Adapter-3/4"FNPT	<b>NEW</b>
CAR4015	Metal Ball Valve-1/4"x1/4"	<b>NEW</b>
CAR4015-3/8	Metal Ball Valve-3/8"x1/4"	<b>NEW</b>
CA-BV2044-Q	Metal Ball Valve- 1/4"QFx1/4"MIP	



## RO HOME ACCESSORIES AND SPARE PARTS

Code	Description	€
OIO22070	Supply kit complete with T in branch 1/2" MF and ball valve 1/4" M for pipe d. 6	
OIO22077	ETA universal tap adaptor	
OIO22081	Double chrome-plated 1/4" unscrewable collar diverter DV-11-2BC with rotary valve, plastic adapter set and universal adaptor	
OIO22083	Double chrome-plated 1/4" unscrewable collar diverter DV-21-2BC with rotary valve, plastic adapter set and universal adaptor	
OITPG-100	Digital expansion tank pressure gauge	
CA-AP0004G	Hard Plastic Cap-1/4"- Grey	<b>NEW</b>
CA-PP0004B	Soft Plastic Cap- 1/4"-Blue	

## TAPS

Code	Description	€
OIO22007	Long Reach 2-way single handle tap	
OIO22009	Long Reach one-way tap with single knob	
OIO21998	2-way swan neck tap	
OIO21999	3-way chrome single-lever tap made in Italy	





**HYDROPRO MEMBRANES****HIGH REJECTION**

Code	Description	Size	GPD	Rejection %	Pressure	€
O1021780H1	Osmosis membrane IdroPro 1812 50GPD H1	1812	50	98	65 PSI	
O1021782H1	Osmosis membrane IdroPro 1812 75 GPD H1	1812	75	98	80 PSI	
O1021784H1	Osmosis membrane IdroPro 1812 200GPD H1	1812	100	98	80 PSI	
O1021786H1	Osmosis membrane IdroPro 1812 150GPD H1	1812	150	97	80 PSI	
O1021787H1	Osmosis membrane IdroPro 1812 200GPD H1	1812	200	97	80 PSI	
O1021788H1	Osmosis membrane IdroPro 1812 250GPD H1	1812	250	97	80 PSI	
O1021789H1	Osmosis membrane IdroPro 2012 300GPD H1	3012	300	97	90 PSI	
O1021790	Osmosis membrane IdroPro TW-RO-3012-300GPD	3012	300	97	90 PSI	<b>NEW</b>
O1021792H1	Osmosis membrane IdroPro 3012 400GPD H1	3012	400	95	90 PSI	<b>NEW</b>
O1021793H1	Osmosis membrane IdroPro 3012 600GPD H1	3012	600	95	90 PSI	<b>NEW</b>
O1021727	Osmosis membrane O/I NF 90 3012 460 gpd ASPRING	3012	460		90 PSI	
O1021794H1	IdroPro 3012 800GPD H1 osmosis membrane	3012	800	95	90 PSI	<b>NEW</b>
O1021795H1	IdroPro 3012 1000GPD H1 osmosis membrane	3012	1000	95	90 PSI	<b>NEW</b>

**PLASTIC VESSEL FOR MEMBRANES****VESSEL FOR MEMBRANE 1812 150 PSI**

Sold in packs of 20

Code	Description	€
O1022000	Vessel plastic container for membrane 1812 150 PSI - CAR2001-D	

**VESSEL FOR MEMBRANES 3012**

Code	Description	€
O1022002/2	Vessel container 150 PSI plastic for membrane 3012 ASPRING	
O1021830	Adapter Ø21x Ø17 for 3" membrane shank	

## BOOSTER PUMPS

### LOW VOLTAGE PUMPS

Code	Description	€
A1141	BOOSTER 5228 24 VDC pump complete with transformer flow rate 1.2 l/min	
A1142CE	230V-24V transformer for BOOSTER 5228 pumps	



### 230V PUMPS

Code	Description	€
O1022059	BOOSTER-45-2200-A12 pump 220VAC 50/60 Hz	
910007	Pompa BOOSTER IPM 6 L/M 5300	



## PRESSURE SWITCHES

### OF MINIMUM

Code	Description	€
A1061	Pressure switch in shunt 1/4" hose connection	

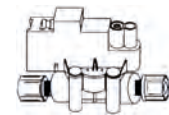


900002	Pressure switch no tar. 0.5 bar diff. 0.3 Bar	
--------	-----------------------------------------------	--



### IN PRINCIPLE

Code	Description	€
A1052	2-contact pressure switch, 1/4" hose with hose connector	



A1062	2-contact passage pressure switch, 1/4" hose connection	
-------	---------------------------------------------------------	--



A1068	Maximum pressure switch diameter 63 differential 0.5/0.8 bar calibrated 2.0 bar	
-------	---------------------------------------------------------------------------------	--



PM/12X	INOX single-phase pressure switch 3-12 bar 1/4" female connection	
--------	-------------------------------------------------------------------	--



# 13.0

Microfiltration • Reverse osmosis systems. Accessories and spare parts

## STORAGE TANKS

### PAINTED STEEL TANKS

Code	Description	€
------	-------------	---

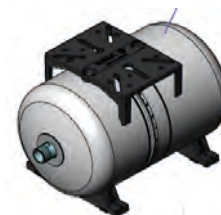
01025056	NSF-certified non-inspectable white painted steel storage buffer tank for Osmosis Plants, capacity 14 gallons	
----------	---------------------------------------------------------------------------------------------------------------	--



900028	Oval expansion vessel 7.5 lt 10 bar	
--------	-------------------------------------	--



900039	Exp. vase vert. c-bracket 19 lt att. 3/4" stainless steel - 10 bar diaphragm	
--------	------------------------------------------------------------------------------	--



### PLASTIC TANKS

Code	Description	€
------	-------------	---

01025052	Food grade plastic OIL storage tank.with.white 2 g 8LT CAR5006	
----------	----------------------------------------------------------------	--



01025055	Storage tank for Osmosis Plants in food grade plastic, white, 3 gallons	
----------	-------------------------------------------------------------------------	--

01025053	Storage tank for Osmosis Plants in food grade plastic, white, 5 gallons	
----------	-------------------------------------------------------------------------	--

900027	Expansion tank 50 l 10 bar	
--------	----------------------------	--

### TAP FOR TANKS

Code	Description	€
------	-------------	---

BV-100	Tank shut-off ball valve 1/4" (1/4" pipe x 1/4" female thread)	
--------	----------------------------------------------------------------	--



## SOLENOID VALVES

### ACETAL RESIN

Code	Description	€
136002230V	2-way solenoid valve NC Ø 3/4" M - 1/4" M 230 Vac with faston connectors	
3105BC24DC	2-way solenoid valve NC Mini series Ø 1/4" F-F 24 Vdc with faston connectors	
3105BC24AC	2-way solenoid valve NC Mini series Ø 1/4" F-F 24 Vac with faston connectors	
4105BC230V	2-way solenoid valve NC Ø 3/8" F-F 230 Vac with faston connectors	
PR31A	70° connector wired with 600 mm cable for solenoid valves with faston connectors	
900003	Solenoid Valve 3/4M - Tail 10mm NC 230V	
900035	EV 230V NC faston 3-4 10mm plug C-Flowmeter	



### BRACKETS

Code	Description	€
900019	Solenoid valve bracket for 900003/900035	

### DIGITAL FLOWMETERS

Code	Description	€
900041	Digital flowmeter 1/2" in-line connection	
O1201814	Tangential flow meter 1/2" connection	



### BRASS

Code	Description	€
O1201930	2-way solenoid valve NC - Ø 1/4" complete with connector and coil -230V	
O1201932	2-way solenoid valve NC - Ø 1/4" complete with connector and coil -24V	
O1201935	2-way solenoid valve NC - Ø 3/8" complete with connector and coil -230V	
O1201937	2-way solenoid valve NC - Ø 3/8" complete with connector and coil -24V	
O1201940	2-way solenoid valve NC - Ø 1/2" complete with connector and coil -230V	
O1201942	2-way solenoid valve NC - Ø 1/2" complete with connector and coil -24V	
O1201945	2-way solenoid valve NC - Ø 3/4" complete with connector and coil -230V	
O1201947	2-way solenoid valve NC - Ø 3/4" complete with connector and coil -24V	
O1201950	2-way solenoid valve NC - Ø 1" complete with connector and coil -230V	
O1201952	2-way solenoid valve NC - Ø 1" complete with connector and coil -24V	
O1201955	2-way solenoid valve NC - Ø 1"1/4 complete with connector and coil -230V	
O1201957	2-way solenoid valve NC - Ø 1"1/4 complete with connector and coil -24V	
O1201960	2-way solenoid valve NC - Ø 1"1/2 complete with connector and coil -230V	
O1201962	2-way solenoid valve NC - Ø 1"1/2 complete with connector and coil -24V	
O1201965	2-way solenoid valve NC - Ø 2" complete with connector and coil -230V	
O1201967	2-wayNC solenoid valve - Ø 2" complete with connector and coil -24V	



## NEEDLE VALVES

Code	Description	€
O1201905	AISI 316 stainless steel needle valve - Ø 3/8"	
O1201910	AISI 316 stainless steel needle valve - Ø 1/2"	
O1201915	AISI 316 stainless steel needle valve - Ø 3/4"	
O1201920	AISI 316 stainless steel needle valve - Ø 1"	



## PRESSURE GAUGES,

### ABS BODY

Code	Description	€
OI201870	Pressure gauge radial connection Ø 1/4" 0 - 6 bar	



### AISI BODY

Code	Description	€
OI201873	Pressure gauge Ø 63 rear connection Ø 1/4" glycerine bath 0-10 bar	
OI201874	Pressure gauge Ø 63 rear connection Ø 1/4" glycerine bath 0-25 bar	
OI201875	Pressure gauge Ø 63 radial connection Ø 1/4" glycerine bath 0-10 bar	
OI201872	Pressure gauge Ø 63 radial connection Ø 1/4" glycerine bath 0-25 bar	
OI201876	Pressure gauge Ø 63 panel mount connection Ø 1/4" glycerine bath 0-10 bar	
OI201878	Pressure gauge Ø 63 panel mount connection Ø 1/4" glycerine bath 0-25 bar	
OI201880	Pressure gauge Ø 40 panel mounting Ø 1/8" connection with bracket 0-6 bar	
OI201882	Pressure gauge Ø 40 panel mounting Ø 1/8" connection with bracket 0-12 bar	



### BRACKETS

Code	Description	€
OI201868	Panel mounting bracket for pressure gauges Ø 63 mm rear connection	

## FLOW METERS.

### WATER SERIES

Code	Description	€
OI201810	R1 plexiglass flowmeter 20-200 l/hr, 1/2" in-line connections	
OI201811	R1 plexiglass flowmeter 20-300 l/hr, 1/2" in-line connections	
OI201812	R1 plexiglass flowmeter 50-500 l/hr, 1/2" in-line connections	
OI201820	Plexiglass R2 flowmeter 40-600 l/hr, 1/2" in-line connections	
OI201821	Plexiglass R2 flowmeter 50-800 l/hr, 1/2" in-line connections	
OI201822	Plexiglass R2 flowmeter 120-1200 l/hr, 3/4" in-line connections	
OI201823	Plexiglass R2 flowmeter 100-1500 l/hr, 3/4" in-line connections	
OI201824	Plexiglass R2 flowmeter 200-2000 l/hr, 1" in-line connections	
OI201830	R3 plexiglass flowmeter 200-3000 l/hr, 1" in-line connections	
OI201831	R3 plexiglass flowmeter 200-4000 l/hr, 1" in-line connections	
OI201840	R4 plexiglass flowmeter 200-4000 l/hr, 1" 1/4 in-line connections	
OI201841	R4 plexiglass flowmeter 500-8000 l/hr, 1" 1/2 in-line connections	
OI201842	R4 plexiglass flowmeter 1000-12000 l/hr, 1" 1/2 in-line connections	
OI201846	Plexiglass PL5 flowmeter 1-15 mc/hr, 2" 1/2 in-line connections	
OI201845	Plexiglass PL5 flowmeter 2-20 mc/hr, 2" 1/2 in-line connections	
OI201862	Flowmeter 40 - 400 l/h rear connection 3/8" RG/I/S for O/I WRO	
OI201864	Flowmeter 40 - 400 l/h rear connection 3/8" RG/I/S for O/I WRO with needle valve	



### SERIES FOR HCL AND NAOH

Code	Description	€
OI201813	R1 plexiglass flowmeter for HCl 20-120 l/h, 1/2" in-line connections	
OI201814	R1 plexiglass flowmeter for NaOH 20-120 l/h, 1/2" in-line connections	
OI201805	R1 plexiglass flowmeter for HCl 25-300 l/h, 1/2" in-line connections	
OI201806	R1 plexiglass flowmeter for NaOH 25-300 l/h, 1/2" in-line connections	
OI201815	R1 plexiglass flowmeter for HCl 40-400 l/h, 1/2" in-line connections	
OI201816	R1 plexiglass flowmeter for NaOH 40-400 l/h, 1/2" in-line connections	
OI201828	R1 plexiglass flowmeter for HCl 50-600 l/h, 1/2" in-line connections	
OI201829	R1 plexiglass flowmeter for NaOH 50-600 l/h, 1/2" in-line connections	
OI201817	R1 plexiglass flowmeter for HCl 100-1200 l/h, 1/2" in-line connections	
OI201818	R1 plexiglass flowmeter for NaOH 100-1200 l/h, 1/2" in-line connections	



## VANE PUMPS

### BRASS BODY WITH BY-PASS

Code	Description	Connections	€
PO201807	PO 100 l/h high-pressure brass vane pump with by-pass	3/8"	
PO201811	PO 200 l/h high-pressure brass vane pump with by-pass	3/8"	
PO201806	PO 300 l/h high-pressure brass vane pump with by-pass	3/8"	
PO201813	PO 400 l/h high-pressure brass vane pump with by-pass	3/8"	
PO201821	PO 600 l/h high-pressure brass vane pump with by-pass	1/2"	
PO201817	PO 800 l/h high-pressure brass vane pump with by-pass	1/2"	
PO201819	PO high-pressure brass vane pump 1000 l/h with by-	1/2"	



### BRASS BODY WITHOUT BY-PASS

Code	Description	Connections	€
PO201810	PO 200 l/h high-pressure brass vane pump	3/8"	
PO201809	PO high-pressure brass vane pump 300 l/h	3/8"	
PO201812	PO high-pressure brass vane pump 400 l/h at	3/8"	
PO201814	PO 600 l/h high-pressure brass vane pump	1/2"	
PO201816	PO high-pressure brass vane pump 800 l/h	1/2"	
PO201818	PO high-pressure brass vane pump 1000 l/h	1/2"	



### AISI BODY WITH BY-PASS

Code	Description	Connections	€
PO201911	PX 100 l/h high-pressure stainless steel vane pump with by-pass	3/8"	
PO201910	PX 200 l/h high-pressure stainless steel vane pump with by-pass	3/8"	
PO201913	PX 300 l/h high-pressure stainless steel vane pump with by-pass	3/8"	
PO201912	PX 400 l/h high-pressure stainless steel vane pump with by-pass	3/8"	
PO201919	PX 600 l/h high-pressure stainless steel vane pump with by-pass	1/2"	
PO201916	PX 800 l/h high-pressure stainless steel vane pump with by-pass	1/2"	
PO201918	PX 1000 l/h high-pressure stainless steel vane pump with by-pass	1/2"	





**AISI BODY WITHOUT BY-PASS**

Code	Description	€
PO201921	Stainless steel high-pressure vane pump PX 100 l/h 3/8" connections	
PO201920	Stainless steel high-pressure vane pump PX 200 l/h 3/8" connections	
PO201923	Stainless steel high-pressure vane pump PX 300 l/h 3/8" connections	
PO201922	Stainless steel high-pressure vane pump PX 400 l/h 3/8" connections	
PO201924	PX 600 l/h high-pressure stainless steel vane pump 1/2" connections	
PO201926	Stainless steel high-pressure vane pump PX 800 l/h 1/2" connections	
PO201928	Stainless steel high-pressure vane pump PX 1000 l/h 1/2" connections	



**BRASS BODY WITH MAGNETIC DRIVE BY-PASS**

Code	Description	€
PO201820/1	PO 200 l/h high-pressure brass vane pump with magnetic drive by-pass without coupling	
PO201850	Magnetic coupling for magnetic drive pump	

**ELECTRIC MOTORS;**

**SELF-VENTILATING ELECTRIC MOTOR WITH DIRECT COUPLING**

Code	Description	€
MO201838	Self-ventilating electric motor with direct connection 220V-50 Hz, 150W (1/5 Hp)	
MO201840	Self-ventilating electric motor with direct connection 220V-50 Hz, 245W (1/3 Hp)	
MO201843	Self-ventilating electric motor with direct connection 220V-50 Hz, 560W (3/4 Hp)	
MO201837	Electric motor without electrical box 220V-50 Hz, 245W (spare part for RODIRECT)	
MO201839/A	Electric motor coupl. Direct 180 W wired s/headset (replacement for ECODIRECT)	
MO201847	Electric motor C042202 180 W water-cooled	
910000	180W 230V RPM motor no fan no bracket (ecoslim spare)	
910003	Asynchronous motor 280W 220-240V 50Hz water-cooled	
910004	Asynchronous motor 180W ipc no fan no bracket	



**ELECTRIC MOTOR FOR MAGNETIC DRIVE PUMPS**

Code	Description	€
MO201544	Electric motor for magnetic drive pump 230V-50Hz, 90W	

**SELF-VENTILATING ELECTRIC MOTOR**

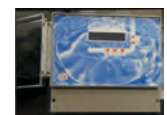
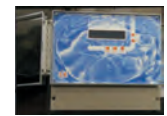
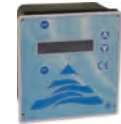
Code	Description	€
MO201548	Self-ventilating electric motor GR80 B3/B14 220V-50 Hz, 750W (1 Hp)	

**JOINTS AND LANTERNS**

Code	Description	€
MO201553	Motor coupling MO201837	
MO201554	Joint B 14 - M71	
MO201556	M71 lantern assembly	
MO201560	Joint B14 - M80	
MO201562	M80 lantern assembly	

## CONTROL UNITS FOR RO

Code	Description	€
EASY-RO	Easy RO control unit with graphic display, complete with CCK 5 probe, enables the management of small industrial osmosis plants. Complete with digital conductivity meter 0 - 2,000 $\mu$ S and membrane flushing device	
OI20015/1	WLRO control unit complete with anti-flooding probe. Operates direct osmosis systems (point-of-use). Detects conductivity in $\mu$ S or mg/lit. Backlit display. Timed filter replacement alarm. Installed on RO DIRECT	
RO-D	RO DISPLAY control unit complete with conductivity and anti-flooding probe Suitable for small/medium osmosis plants, displays conductivity and operating hours. Dimensions (h. 125 x W.175 x D.80 )mm	
RO-L	RO LED control unit complete with conductivity and anti-flooding probe. Suitable for small/medium osmosis plants. Displays water quality through 3 leds+1 alarm indicator. Dimensions (h.125 x w. 175 x d.80)mm	
ROHP	High Power panel for RO osmosis plants	
ROSHP	Super High Power panel for osmosis plants	



### ACCESSORIES FOR CONTROL UNITS

Code	Description	€
OI20009	Conductivity probe K=5, $\varnothing$ 3/8" without cable	
ARI00500/2	Cable with Jack for conductivity probe/chlorine-producing electrode	

# PLASTIC PIPES FLEXIBLE PIPES

## JOHN GUEST POLYETHYLENE PIPES

The John Guest range of plastic pipes is made of Linear Low Density Polyethylene for cold water applications. This series of hoses offers applicability within a wide range of temperatures and pressures, excellent chemical compatibility, being made from non-contaminating material. Furthermore, these are certified by the American NSF (NSF51 and NSF61 specifications), the British drinking water authority WRAS. The raw material is FDA approved.



Code	Description	Lengthm	€
PEM004A	PE Tube Light Blue 4 X 2.5 Roll	100	
PEM004N	Black PE Pipe 4 X 2.5 Roll	100	

6 x 4			
Code	Description	Lengthm	€
PEM006A	PE Tube Light Blue 6 X 4 Roll	100	
PEM006N	Black PE Pipe 6 X 4 Roll	100	

8 x 6			
Code	Description	Lengthm	€
PEM008A	PE Tube Light Blue 8 X 6 Roll	100	
PEM008N	Black PE Pipe 8 X 6 Roll	100	

10 x 7			
Code	Description	Lengthm	€
PEM010A	PE Tube Light Blue 10 X 7 Roll	100	
PEM010N	Black PE Pipe 10 X 7 Roll	100	

12 x 9			
Code	Description	Lengthm	€
PEM012A	PE Tube Light Blue 12 X 9 Roll	100	
PEM012N	Black PE Pipe 12 X 9 Roll	100	

15 x 11,54			
Code	Description	Lengthm	€
PEM015A	PE Tube Light Blue 15 X 11.5 Roll	100	

1/4"			
Code	Description	Lengthm	€
PEP014A	PE Tube Light Blue 1/4" X 0.170" Roll	152,4	
PEP014N	Black PE Tube 1/4" X 0.170" Roll	152,4	

6			
Code	Description	Lengthm	€
PEP516A	Light Blue PE Pipe 5/16" X 0.187" Roll	152,4	
PEP516N	Black PE Pipe 5/16" X 0.187" Roll	152,4	

3/8"			
Code	Description	Lengthm	€
PEP038A	Light Blue PE Pipe 3/8" X 0.25" Roll	152,4	
PEP038N	Black PE Pipe 3/8" X 0.25" Roll	152,4	

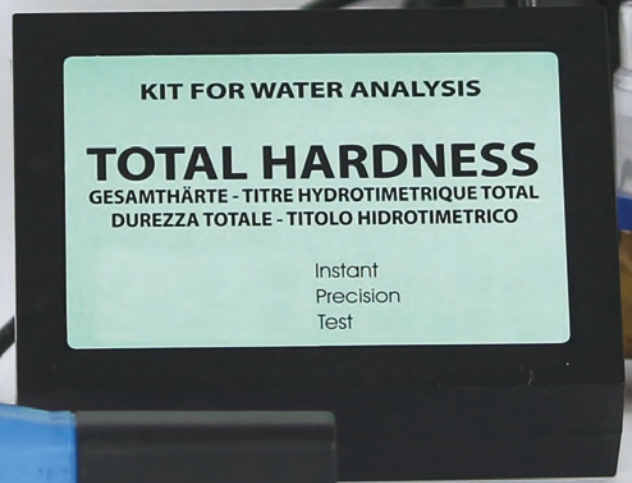
1/2"			
Code	Description	Lengthm	€
PEP012A	Light Blue PE Pipe 1/2" X 0.375" Roll	76.2	
PEP012N	Black PE Pipe 1/2" X 0.375" Roll	76.2	



## POLYETHYLENE PIPES

Polyethylene hoses in metric and inch dimensions, for food and technological uses. Only available in complete rolls.

<b>6 x 4</b>			
<b>Code</b>	<b>Description</b>	<b>Lengthm</b>	<b>€</b>
OI022090	PE tube 6 x 4 mm blue for foodstuffs	100	
OI022092	PE pipe 6 x 4 mm natural for foodstuffs	100	
OI022094	PE tubing 6 x 4 mm white soft food grade	100	
OI022095	PE pipe 6 x 4 mm black for foodstuffs	100	
<b>8 x 6</b>			
<b>Code</b>	<b>Description</b>	<b>Lengthm</b>	<b>€</b>
OI022097	PE pipe 8 x 6 mm natural for foodstuffs	100	
OI022098	PE tube 8 x 6 mm black for foodstuffs	100	
<b>1/4"</b>			
<b>Code</b>	<b>Description</b>	<b>Lengthm</b>	<b>€</b>
OI022085	PE 1/4" blue food grade hose	100	
OI022102	PE 1/4" black food hose	100	
<b>3/8"</b>			
<b>Code</b>	<b>Description</b>	<b>Lengthm</b>	<b>€</b>
OI022104	Transparent 3/8" PE hose for brine suction	152,4	
<b>1/2"</b>			
<b>Code</b>	<b>Description</b>	<b>Lengthm</b>	<b>€</b>
OI022103	Transparent 1/2" PE hose for brine suction	100	





# 14.0

*Dosing and analysis  
systems*



# RAPID ANALYSIS KITS

## IPT ANALYSIS KIT

Code	Description	€
HI3810	Dissolved oxygen titre analysis kit	
HI3810-100	Spare reagent kit for 110 dissolved oxygen tests	
KA300313	Hydrogen peroxide analysis kit (0 - 25 ppm)	
KA001001	Acidity kit m tit.	
KA001002	Kit alkalinity tit. p. ed m	
KA001003	Boiler alkalinity kit t. p and m (1 epm)	
KA001004	Alkalinity kit M tit. (1 °f)	
KA001005	Alkalinity kit p tit. (1 epm)	
KA001006	Ammonia kit col. (Nessler)	
KA001007	Carbon dioxide kit tit.	
KA001008	Strong anion tit. kit (to be used in conjunction with KA001001)	
KA001009	Football kit tit. (1 °f)	
KA001010	Kit o-tol. col. 0,1 - 1,5 ppm	
KA001011	DPD chlorine kit col. 0,1 - 1,5 ppm	
KA001012	Chloride titration kit (1 °f)	
KA001013	Chrome kit col. 0,05 - 1 ppm	
KA001014	Demineralisation kit col.	
KA001015	Titanium hardness kit	
KA001016	Iron kit col. 0,05 - 15 ppm	
KA001017	Phosphate kit col. (1 - 20 ppm)	
KA001018	Hydrazine kit col. 0,1 - 1,5 ppm	
KA001019	Nitrite kit col.	
KA001020	pH 0 - 5 colourimetric kit	
KA001021	pH kit 6.8 - 8.4 colorimetric	
KA001022	pH 1 - 11 Colorimetric Kit	
KA001024	Kit silica col.	
KA001025	Sulphite kit 2 ppm tit.	
KA001025.1	Sulphite kit 10 ppm tit.	
KA001026	Total alkalinity kit tit.	
KA001027	Boiler hardness kit tit. (1 °f)	
KA001028	Nitrate kit col.	
KA001029	Hardness precipitation kit	
KA001030	Phosphate kit col. (5 - 100 ppm)	
KA001031	Colorimetric chloride kit	
KA001032	Residual hardness kit col. (0.5 - 3 ppm CaCO <sub>3</sub> )	
KA001035	Molybdenum titration kit	
KA001039	Kit manganese col.	
KA006261	Soap Solution Kit 6 x 250	
KA300314	Arsenic analysis kit 0.005-0.5 mg/l (1x100 tests)	



## CHEAP TEST KITS

Code	Description	€
KA005001	Hardness kit 2 fl. single reagent 1°f tit. in blister pack	
KA005006	Hardness kit 1 fl. single reagent 1°f tit. in blister pack	
KA005010	Col. swimming pool kit (o-tol. chlorine and pH) in blister pack	
KA005011	Residual titration hardness kit in blister pack	
KA005030	Colorimetric pH 5 - 9.5 kit in blister pack	
KA005007	Hardness kit 1 fl. single reagent 1°Dh tit. in blister pack	



## KIT KIT

Code	Description	€
KA002001	Water analysis kit	
KA002002	Basic boiler kit	
KA002004	Simple boiler kit	
KA002006	Swimming pool kit	

## TITRATION REAGENTS

Code	Description	€
KA003203	Kick Kit A x 6 (to be used in conjunction with KA003001)	
KA003207	Chloride kit tit. A x 6	
KA003208	Chloride kit tit. B x 6	
KA003221	Sulphite Kit A x 6	
KA003222	Sulphite Kit B x 6	
KA003247	Hardness kit A x 6 (for boilers)	
KA003250	Kit precipitated dur. A x 6	
KA003251	Kit precipitated dur. B x 6	
KA003252	Hardness precipitation kit 1 x 250 A + 1 x 250 B	
KA003253	Spare reagent A prec. hardness 2 x 250	
KA003254	Spare reagent B pre-hardness 2 x 250	
KA003260	Soap Solution Kit 6 x 25	
KA003263	Molybdenum tit. A x 6	
KA003265	Molybdenum tit. B x 6	

## INDICATOR SPARE PARTS 6 BOTTLES

Code	Description	€
KA003001	Replacement calcium polv. indicator (to be used in conjunction with KA003001)	
KA003002	Spare hardness indicator conf. 6 X 15 ml.	
KA003003	Spare indicator m conf. 6 X 15 ml.	
KA003004	Spare indicator p conf. 6 X 15 ml.	
KA003005	Replacement pH indicator 0 - 5 pack. 6 X 25 ml.	
KA003006	Replacement pH indicator 6.8 - 8.4 conf. 6 X 25 ml.	
KA003007	Replacement pH indicator 1 - 11 pack. 6 X 25 ml.	
KA003008	Replacement pH indicator 6.8 - 8.4 conf. 6 X 15 ml.	

**SPARE PARTS REAGENTS COLOUR METERS**

<b>Code</b>	<b>Description</b>	<b>€</b>
KA003201	Ammonia replacement A	
KA003202	Ammonia replacement B	
KA003204	Total chlorine reagent A	
KA003209	Chrome-plated replacement A	
KA003210	Chrome-plated replacement B	
KA003211	Iron replacement	
KA003212	Replacement residual hardness	
KA003213	Phosphate replacement 1 - 20 ppm A	
KA003214	Phosphate replacement 1 - 20 ppm B	
KA003215	Hydrazine replacement	
KA003216	Nitrite exchange	
KA003218	Replacement silica A	
KA003219	Replacement silica B	
KA003220	Replacement silica C	
KA003239	Chlorine Replacement DPD A	
KA003240	Chlorine Replacement DPD B	
KA003241	DPD Chlorine Refill C	
KA003244	Nitrate replacement	
KA003255	Chloride replacement col. A	
KA003256	Chloride replacement col. B	
KA003257	Phosphate replacement 5 - 100 ppm A	
KA003258	Phosphate replacement 5 - 100 ppm B	
KA003276	Replacement manganese col. A	
KA003278	Replacement manganese col. B	
KA003279	Replacement manganese col. C	

**TITRATION SPARE PARTS 25ML**

<b>Code</b>	<b>Description</b>	<b>€</b>
KA003101	Alkalinity titrant refill 1f conf. 6-pack	
KA003103	Spare alkalinity titrant 1 epm conf. 6-pack	
KA003105	Spare acidity titrant 1°f conf. 6-pack	
KA003107	Calcium titrant refill 1f conf. 6-pack	
KA003109	Chloride titrant refill 1f conf. 6-pack	
KA003111	Replacement hardness titrant 1°f conf. 6-pack	
KA003113	Spare sulphite titrant 2 ppm conf. 6-pack	
KA003113.1	Spare sulphite titrant 10 ppm conf. 6-pack	
KA003123	Spare molybdenum titrant 10 ppm conf. 6-pack	

## TITRATION SPARE PARTS 250ML

<b>Code</b>	<b>Description</b>	<b>€</b>
KA003102	Alkalinity titrant refill 1f conf. 6-pack	
KA003104	Spare alkalinity titrant 1 epm conf. 6-pack	
KA003106	Spare acidity titrant 1°f conf. 6-pack	
KA003108	Calcium titrant refill 1f conf. 6-pack	
KA003110	Chloride titrant refill 1f conf. 6-pack	
KA003112	Replacement hardness titrant 1°f conf. 6-pack	
KA003114	Spare sulphite titrant 2 ppm conf. 6-pack	
KA003114.1	Spare sulphite titrant 10 ppm conf. 6-pack	
KA003124	Spare molybdenum titrant 10 ppm conf. 6-pack	

## TUBES

<b>Code</b>	<b>Description</b>	<b>€</b>
KA003310	10 round 25 ml test tubes	
KA003312	12 x 10 ml round tubes	

# TOOLS FOR ANALYSIS

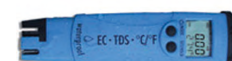
## POCKET TOOLS

### CONDUCTIVITY METERS

14.0

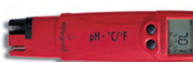
Dosing and analysis systems

Code	Description	€
HI98129	COMBO - Pocket instrument for measuring pH - Conductivity - TDS - Temperature, automatic calibration, replaceable pH electrode	
HI98301	DiST 1 - Pocket instrument for TDS measurement scale 0 - 1999 ppm manual calibration, replaceable probe (TDS conversion factor 0.5)	
HI98302	DiST 2 - Pocket instrument for measuring TDS scale 0 - 10.00 ppt (g/l) manual calibration, replaceable probe	
HI98303	DiST 3 - Pocket instrument for Conductivity measurement scale 0 - 1999 $\mu\text{S}/\text{cm}$ manual calibration, replaceable probe	
HI98304	DiST 4 - Pocket instrument for Conductivity measurement scale 0 - 1999 $\mu\text{S}/\text{cm}$ manual calibration, replaceable probe	
HI98309	UPW - Pocket instrument for measuring Conductivity in ultrapure water scale 0.000 - 1.999 $\mu\text{S}/\text{cm}$ (resolution 0.001 $\mu\text{S}/\text{cm}$ )	
HI98311	Dist 5 - Watertight pocket instrument for measuring Conductivity scale 0 - 3999 $\mu\text{S}/\text{cm}$ - TDS - Temperature, automatic calibration, replaceable probe	
HI98312	Dist 6 - Waterproof pocket instrument for measuring Conductivity scale 0 - 20.00 $\text{mS}/\text{cm}$ - TDS - Temperature, automatic calibration, replaceable probe	
OI022080	TDS METER - Pocket instrument for measuring TDS scale 10 - 1990 ppm manual calibration	



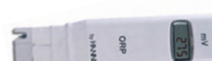
### PH-METERS

Code	Description	€
HI98103	CHECKER - Pocket instrument for pH measurement scale 0.00 - 14.00 , manual calibration, replaceable electrode	
HI98100	CHECKER - Pocket instrument for pH measurement scale 0.0 - 14.0, automatic calibration, replaceable electrode	
HI98107	pHep - Pocket instrument for pH measurement scale 0.0 - 14.0 , manual 2-point calibration	
HI98127	pHep 4 - Watertight pocket instrument for temperature measurement - pH scale -2.0 - 16.0, automatic calibration	



### REDOXIMETERS

Code	Description	€
HI98120	Watertight pocket instrument for measuring Redox potential - temperature, replaceable ORP electrode	
HI98201	Watertight pocket instrument for measuring Redox potential - temperature, replaceable ORP electrode	



## DIGITAL THERMOMETER

Code	Description	€
HI98509	Checktemp 1 C - Digital thermometer scale -50.0 +150.0 °C complete with steel probe and 1 m cable	



## ORIGINAL

Code	Description	€
HI73127	Replacement pH electrode for HI98127	



## CONDUCTIVITY METERS

Code	Description	€
BLUCOND	Conductivity meter with display set point 10/400 µs complete	



## CALIBRATION SOLUTION

Code	Description	€
HI70004P	Calibration Solution pH 4.01 - 25 sachets 20 ml	
HI70007P	Calibration Solution pH 7.01 - 25 sachets 20 ml	
HI70010P	Calibration Solution pH 10.01 - 25 sachets 20 ml	
HI70031P	Conductivity calibration solution 1413 µS - 25 sachets 20 ml	
HI70032P	TDS 1382 ppm calibration solution - 25 x 20 ml sachets	
HI70038P	Calibration solution TDS 6.44 ppt - 25 x 20 ml sachets	
HI7004L	Calibration Solution pH 4.01 500 ml bottle	
HI7007L	Calibration Solution pH 7.01 500 ml bottle	
HI7009L	Calibration Solution pH 9.18 500 ml bottle	
HI7010L	Calibration Solution pH 10.01 500 ml bottle	
HI77400P	Solutions pH 4 and 7, pack of 5+5 20 ml sachets	





# DOSING PUMPS

## DLX SERIES

### DLX-VFT/MBB DOSING PUMP

Proportional dosing pump Operating functions Manual: manual adjustment of flow rate from 0 to 100%. 1xn: for each pulse received the pump delivers the number of injections selected by the operator. 1xn(M): for each impulse received, the pump delivers the number of injections selected by the operator. If one or more pulses occur during the dosing phase, these are taken into account and the pump delivers a number of injections equal to the product between the received contacts and the selected digit: n the pump only delivers an injection of additive when it has detected a number of pulses (contacts) corresponding to the selected digit. TTL: Proportional through input pulses.

Available in a version without flow sensor (VFT/MB).

Dosing pump for wall (DLX) or base mounting (DLXB).



Code	Description	€
ET10373	DLX-VFT/MBB pump 1 l/h - 15 bar; 2 l/h - 10 bar; 3 l/h - 5 bar	
ET10374/S	DLX-VFT/MBB pump 1 l/h - 15 bar; 2 l/h - 10 bar; 3 l/h - 5 bar with automatic bleed	
ET10375	DLX-VFT/MBB pump 5 l/h - 7 bar; 6 l/h - 5 bar; 8 l/h - 2 bar	
ET10376	DLX-VFT/MBB pump 8 l/h - 10 bar; 10 l/h - 7 bar; 12 l/h - 3 bar	
ET10334	DLX-VFT/MBB pump 15 l/h - 4 bar	
ET10335	DLX-VFT/MBB pump 20 l/h - 3 bar	

### DLX-PH-RX-CL DOSING PUMP

Dosing pump with built-in instrument for controlling and adjusting pH, RX(mV) and Chlorine (ppm).

- Backlit LCD display
- ON/OFF operation • proportional
- Measuring range 0÷14pH; -1000mV ÷ +1400mV; 0÷20ppm output 4÷20mA
- Input from pH electrode, RX (10 Tera Ohm)
- Probe gain adjustment 40÷80 mV/pH
- Manual/automatic temperature compensation 0÷100°C
- Set point hysteresis programming • Set point delay programming
- Measurement resolution: 0.01pH; ±1mV; 0.1ppm; 0.1°C
- Dosing pump for wall (DLX) or base mounting (DLXB)
- Plastic case; IP 65 protection

Features vary depending on the model.



Code	Description	€
ET10525	DLX-pH-Rx-Cl pump with built-in instrument 5 l/h - 7 bar	

## PKX SERIES

### DOSING PUMP PKX MA/A

The new range of electromagnetic dosing pumps is characterised by its ease of use, high reliability and small overall dimensions. Thanks to its features and versatility, the PKX range is the ideal equipment for dosing chemicals in many sectors including: swimming pools, car washes, industrial water treatment, detergents, etc.

Dosing pump for wall (DLX) or base mounting (DLXB)

#### PKX MA-A & MA-AL

The flow rate is adjusted by varying the frequency, using a knob with a 0-100% scale. The MA-AL version also incorporates the provision for level control. The equipment is equipped with an on/off switch

#### PKX FT

Pump with proportional dosing to a remote voltage-free input signal (e.g. pulse counter). The proportionality can be of the 1:1 (F) or time (T) type, adjustable via a knob from 0 to 60 seconds. A button selects F or T mode.



Code	Description	€
ET10380	Pump PKX-MA/A 1 l/h - 5 bar	
ET10380L	Pump PKX-MA/AL 1 l/h - 5 bar with level probe arrangement	
ET10380FT	Pump PKX-FT/A 1 l/h - 5 bar for meter and level probe preparation	
ET10385	Pump PKX-MA/A 2 l/h - 6 bar	
ET10385L	PKX-MA/AL pump 2 l/h - 6 bar with level probe arrangement	
ET10385FT	Pump PKX-FT/A 2 l/h - 6 bar for meter and level probe preparation	
ET10390	Pump PKX-MA/A 5 l/h - 5 bar	
ET10390L	PKX-MA/AL pump 5 l/h - 5 bar with level probe arrangement	
ET10390FT	PKX-FT/A pump 5 l/h - 5 bar for meter and level probe preparation	

## ACCESSORIES

### PUMP CABLES

Code	Description	€
2.105.005	Coaxial cable for electrodes length 9 m complete with BNC and connector	
2.105.007	Coaxial cable for electrodes length 15 m complete with BNC and connector	
2.105.037	Double cable for proportional pumps (2m + 2m)	

### ELECTRODES

Code	Description	€
1ELT.005	Plastic pH electrode complete with 5 m cable	
1ELT.006	Plastic pH electrode with screw connection without cable	
1ELT.011	Plastic electrode for Redox complete with 5 m cable	
1ELT.012	Plastic electrode for Redox with screw connection without cable	



## BUFFER SOLUTIONS

### 50ML BOTTLES

Code	Description	€
20400598	Ph-4 buffer solution	
20400578	Ph-7 buffer solution	
20400579	Ph-9 buffer solution	
20400580	Buffer solution RX 468 mV	

## PROBE HOLDER

Code	Description	€
2143.001	In-line pvc electrode holder for piping coupl. 1/2-GM	
DPS0001601	Inline stainless steel electrode holder for coupl. pipes 1/2-GM	
2143.002	Monotubular pvc immersion electrode holder length 0.5 m	
2143.003	Monotubular pvc immersion electrode holder length 1 m	
2143.004	Monotubular pvc immersion electrode holder length 1.5 m (1.5 m)	
2.PRS.001	Flow electrode holder for max. 2 electrodes	



## LEVEL PROBES

Code	Description	€
ET10397SL	Level probe with connector and fixing bracket	
1ACS.001	Filter fixing bracket - level probe	

## ORIGINAL

## PROBE HOLDER

Code	Description	€
ET2083030	Pump housing 2-15 l/h, for DLX(B) also 1 l/h, PP FPM - Viton	
ET2082702	Pump housing with automatic bleeding 2-15 l- Viton	
ET2083148	Pump housing 20 l/h PP FPM - Viton	
ET2084001	Standard PTFE membrane	
ET2142001	PP filter with FPM foot valve up to 20 l/h	
ET2144009	Viton cylinder injection valve	
ET2061002	Standard kit viton valve	
ET2061005	Standard EPDM valve kit	
ET4144016	Viton lip valve TGL	
ET0002703	Silicone lip valve + valve pusher kit 20 pcs.	
ET4147001	Pusher valve	
ET0000101	Manual purge valve kit	
ETKRA0005701	Connection kit + Ring + O-ring PP FPM (20 pcs.)	

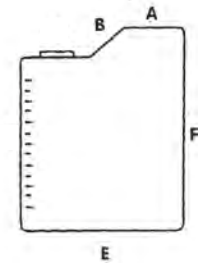


# PLASTIC TANKS

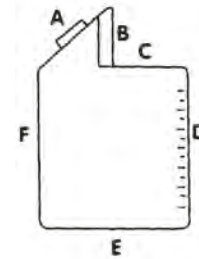
## POLYETHYLENE TANKS

Code Description €

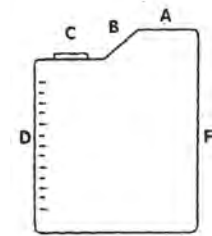
PD050 PE tank for dosing station 50 l



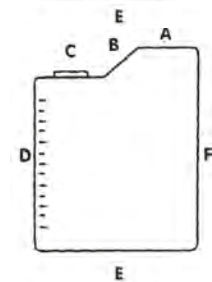
PD120V PE tank PD 120 V - 120 l with backrest for dosing pump



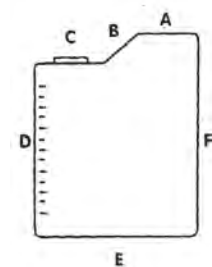
PD100 PE tank for dosing station 100 l



PD250 PE tank for dosing station 250 l



PD500 PE tank for dosing station 500 l



Code	A mm	B mm	C mm	D mm	E mm	F mm	Cap Ø mm
PD050	210	40	-	-	410	465	140
PD120V	320	245	220	770	440	1010	140
PD100	230	50	210	600	460	640	140
PD250	325	45	265	825	595	870	140
PD500	330	80	390	1115	760	1185	215

# COUNTERS

## PULSE COUNTERS

### THREADED/FLANGED

Turbine counters with reed-type pulse emitter. The threaded version is supplied complete with a pair of nozzles.

Water temperature 30°C

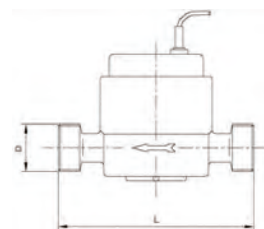
Operating pressure: 16 Bar

#### STANDARD

Code	Description	€
1.CNT.028	Pulse lance counter 1/2" K 0.25	
1.CNT.086	Pulse counter 3/4" connections K 0.25	
1.CNT.087	Pulse counter 3/4" K 1 connections	
1.CNT.066	Pulse counter lance connections 1" K 0.25	
1.CNT.067	Pulse lance counter connections 1" K 1	
1.CNT.065	Pulse lance counter connections 1" K 10	
1.CNT.053	Pulse lance counter connections 1 1/4" K 1	
1.CNT.054	Pulse lance counter connections 1 1/4" K 10	
1.CNT.040	Pulse lance counter connections 1 1/2" K 1	
1.CNT.042	Pulse lance counter connections 1 1/2" K 10	
1.CNT.041	Pulse lance counter connections 1 1/2" K 100	
1.CNT.000	Pulse counter 2" K 1 connections	



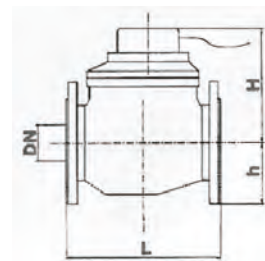
Gauge	length (L) mm
1/2"	110
3/4 "	130
1"	260
1 1/4"	260
1 1/2"	300
2	300



#### FLANGED REED

Code	Description	€
1.CNT.200	Pulse lance counter DN50 K 1 connections	
1.CNT.201	Pulse lance counter DN50 K 10 connections	
1.CNT.202	Pulse counter lance connections DN50 K 100	

Gauge	length (L) mm
DN 50	300



## WOLTMAN-TYPE FLANGES

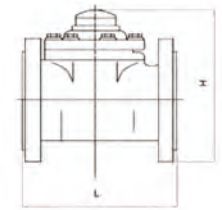
Woltmann-type reel counters.

Water temperature 30°C

Operating pressure: 16 Bar

Code	Description	€
1.CNT.074	Pulse counter lance connections DN50 K 100	
1.CNT.068	Pulse counter lance connections DN65 K 100	
1.CNT.088	Pulse lance counter DN80 K 100 connections	
1.CNT.093	Pulse lance counter DN100 K 100 connections	
1.CNT.097	Pulse counter lance connections DN125 K 100	
1.CNT.100	Pulse counter lance connections DN150 K 1000	
1.CNT.150	Pulse counter lance connections DN200 K 1000	

Code	Gauge	length (L) mm	Depth mm	Height mm	Wt Kg
1.CNT.074	DN 50	200	175	250	12
1.CNT.068	DN 65	200	185	255	13
1.CNT.088	DN 80	225	200	265	15
1.CNT.093	DN 100	250	220	275	19
1.CNT.097	DN 125	250	245	285	22
1.CNT.100	DN 150	300	285	375	47
1.CNT.150	DN 200	350	345	400	48



## ORIGINAL

Code	Description	€
WRE0003	Reed contact with cable for Andromeda counter Ø 2"	
WRE0007	Reed contact with cable for Andromeda meter Ø 1/2" - 3/4" - 1" - 1 1/4" - 1 1/2"	
WRE0011	Reed contact new model with cable for Andromeda meter Ø 1" - 1 1/4" - 1 1/2"	







# 15.0

**Membrane RO - NF - UF  
Containers and  
accessories**

# REVERSE OSMOSIS & NANO FILTRATION MEMBRANES

## SUEZ MEMBRANES

### MEMBRANA LOW PRESSURE & EXTRA LOW PRESSURE

**2,5**

Code	Description	Permeate flow rate (gpd)/(m <sup>3</sup> /g)	Minimum rejection	€
GEAK25005	Membrane Ro Low Pressure AK2521TM	300/1,14 (GDP/m <sup>3</sup> /d)	99,0%	
GEAK25010	Membrane Ro Low Pressure AK2540TM	710/2,7 (GDP/m <sup>3</sup> /d)	99,0%	

**4"**

Code	Description	Permeate flow rate (gpd)/(m <sup>3</sup> /g)	Minimum rejection	€
GEAK40005	Membrane Ro Low Pressure AK4021TM	1050/3,9 (GDP/m <sup>3</sup> /d)	99,0%	
GEAK40010	Membrane Ro Low Pressure AK4040TM	2200/8,3 (GDP/m <sup>3</sup> /d)	99,0%	
GEAK40020	Membrane Ro Low Pressure AK-90	2200/8,3 (GDP/m <sup>3</sup> /d)	99,5%	
GEAK40030	Ro Low Pressure AK-90 LE membrane	2800/10,6 (GDP/m <sup>3</sup> /d)	99,3%	
GEAP40020	Membrane Ro Extra Low Pressure AP-90	2400/10,2 (GDP/m <sup>3</sup> /d)	95,0%	
GEAP40022	Membrane Ro Low Pressure AK4040FM	2400/9,1 (GDP/m <sup>3</sup> /d)	99,5%	

**8"**

Code	Description	Permeate flow rate (gpd)/(m <sup>3</sup> /g)	Minimum rejection	€
GEAK80030	Membrane Ro Low Pressure AK-440	11500/43,5 (GDP/m <sup>3</sup> /d)	99,5%	
GEAK80040	Ro Low Pressure Membrane AK-400 LE, 34	12300/46,6 (GDP/m <sup>3</sup> /d)	99,3%	
GEAP80020	Membrane Ro Extra Low Pressure AP-400	12500/47,2 (GDP/m <sup>3</sup> /d)	95,0%	
GEAK80026	Membrane Ro Low Pressure AK-400 H	11000/41,6 (GDP/m <sup>3</sup> /d)	6%	
GEAK80027	Membrane Ro Low Pressure AK-440 H	12000/45,4 (GDP/m <sup>3</sup> /d)	6%	
GEAK80021	Membrane Ro Low Pressure AK8040F-400	11000/41,6 (GDP/m <sup>3</sup> /d)	99%%	
GEAK80022	Membrane Ro Low Pressure AK8040F-440	12000/45,4 (GDP/m <sup>3</sup> /d)	99%%	

### BRACKISH WATER - HIGH REJECTION MEMBRANES

**4"**

Code	Description	Permeate flow rate (gpd)/(m <sup>3</sup> /g)	Minimum rejection	€
GEAG40020	Membrane RO Brackish Water AG-90	2200/8,3 (GDP/m <sup>3</sup> /d)	99,8%	
GEAG40022	Membrane RO Brackish AG4040FM	2400/9,1 (GDP/m <sup>3</sup> /d)	99,5%	

**8"**

Code	Description	Permeate flow rate (gpd)/(m <sup>3</sup> /g)	Minimum rejection	€
GEAG80025	Membrane RO Brackish Water AG-400, 34	10500/39,7 (GDP/m <sup>3</sup> /d)	99,8%	
GEAG80030	Membrane RO Brackish Water AG-440	11500/43,5 (GDP/m <sup>3</sup> /d)	99,8%	
GEAG80022	Membrane RO Brackish AG-400 H	11000/41,6 (GDP/m <sup>3</sup> /d)	99,8%	
GEAG80024	Membrane RO Brackish AG-440 H	12000/45,4 (GDP/m <sup>3</sup> /d)	99,8%	
GEAG80023	Membrane RO Brackish AG8040F-400	11000/41,6 (GDP/m <sup>3</sup> /d)	99,5%	
GEAG80032	Membrane RO Brackish AG8040F-440	12000/45,4 (GDP/m <sup>3</sup> /d)	99,5%	
GEAG80026	Membrane RO Brackish AG-400 LE H	10000/37,9 (GDP/m <sup>3</sup> /d)	99,5%	
GEAG80028	Membrane RO Brackish AG-440 LE H	11000/41,6 (GDP/m <sup>3</sup> /d)	99,5%	
GEAG80029	Membrane RO Brackish AG8040F 400 LE	8500/32,2 (GDP/m <sup>3</sup> /d)	98.5%	
GEAG80031	Membrane RO Brackish AG8040F 440 LE	9100/34,5 (GDP/m <sup>3</sup> /d)	98.5%	

15.0

RO - NF - UF membranes, containers and accessories



## MEMBRANA BRACKISH WATER - HIGH REJECTION LOW FOULING

4"

Code	Description	Permeate flow rate (gpd)/(m <sup>3</sup> /g)	Minimum rejection	€
GEAG40023	Membrane RO BW Low Fouling AG4040FM FR,34	2400/9,1 (GDP/m <sup>3</sup> /d)	99,5%	

8"

Code	Description	Permeate flow rate (gpd)/(m <sup>3</sup> /g)	Minimum rejection	€
GEAG80046	Membrane RO Brackish AG-400 FR-H	11000/41,6 (GDP/m <sup>3</sup> /d)	99,8%	
GEAG80047	Membrane RO Brackish AG8040F-400 FR,34	11000/41,6 (GDP/m <sup>3</sup> /d)	99,8%	

## MEMBRANA SEA WATER

4"

Code	Description	Permeate flow rate (gpd)/(m <sup>3</sup> /g)	Minimum rejection	€
GEAE40020	RO Sea Water AE-90 membrane	2000/7,6 (GDP/m <sup>3</sup> /d)	99,8%	
GEAD40020	Membrane RO Sea Water AD-90	1500/5,7 (GDP/m <sup>3</sup> /d)	99,75%	

8"

Code	Description	Permeate flow rate (gpd)/(m <sup>3</sup> /g)	Minimum rejection	€
GEAE80025	RO Sea Water AE-400 membrane, 34	9000/34,1 (GDP/m <sup>3</sup> /d)	99,8%	
GEAE80030	RO Sea Water AE-440 membrane	9900/37,5 (GDP/m <sup>3</sup> /d)	99,8%	
GEAD80025	Membrane RO Sea Water AD-400, 34	6500/24,6 (GDP/m <sup>3</sup> /d)	99,8%	
GEAD80030	Membrane RO Sea Water AD-440	7100/26,9 (GDP/m <sup>3</sup> /d)	99,8%	
GEAC40001	RO Sea Water AC-400 membrane,34	5800/21,9 (GDP/m <sup>3</sup> /d)	99,85%	
GEAC40002	Membrane RO Sea Water AC-440	6400/24,2 (GDP/m <sup>3</sup> /d)	99,85%	

## NANOFILTRATION MEMBRANE

4"

Code	Description	Permeate flow rate (gpd)/(m <sup>3</sup> /g)	Minimum rejection	€
GEHL40010	NF H4040FM membrane	8400/31,8 (GDP/m <sup>3</sup> /d)	92,0%	

8"

Code	Description	Permeate flow rate (gpd)/(m <sup>3</sup> /g)	Minimum rejection	€
GEHL80010	NF HL8040F-400 membrane	10500/39,7 (GDP/m <sup>3</sup> /d)	90,0%	

## SUEZ ULTRAFILTRATION MODULES ZEEWEED UF SYSTEM MEMBRANE - HOLLOW FIBER

2,5

Code	Description	Surface area m <sup>2</sup> /Flow rate l/h	Degree of filtration	€
GEZW700B-250	ZW700B-250 SevenBore PES	at 100 l/m <sup>2</sup> h = 60 l/h	< 0,02 μm	
GEZW700B-450	ZW700B-450 SevenBore PES	at 100 l/m <sup>2</sup> h = 265 l/h	< 0,02 μm	
GEZW700B-4100	ZW700B-4100 SevenBore PES	at 100 l/m <sup>2</sup> h = 580 l/h	< 0,02 μm	
GEZW700B-6100	ZW700B-6100 SevenBore PES	at 100 l/m <sup>2</sup> h = 1200 l/h	< 0,02 μm	
GEZW700B-10060	ZW700B-10060 SevenBore PES	at 100 l/m <sup>2</sup> h = 6000 l/h	< 0,02 μm	
GEZW700B-10060A	ZW700B-10060 Without headers		< 0,02 μm	
GEZW1500110	ZeeWeed 1500-600 PVDF	at 130 l/m <sup>2</sup> h = 7300 l/h	< 0,02 μm	
GEZW1500120	ZeeWeed 1500-RMS PVDF*	at 130 l/m <sup>2</sup> h = 7300 l/h	< 0,02 μm	

Included: Vict. clamp, TE fittings, support base.

## SUEZ EDI STACKS ULTRAFILTRATION MODULES INDUSTRIAL ELECTRODEIONIZATION (EDI) STACKS

Code	Description	Surface area m <sup>2</sup> /Flow rate l/h	Degree of filtration	€
----	E-Cell-3X Stack	----	---	
---	E-Cell MK-3 Stack	---	---	

# MEMBRANE HYDRANAUTICS



## MEMBRANE ESPA - LOW ENERGY MEMBRANES

4 - 4,6

Code	Description	Permeate flow rate (gpd)/(m3/g)	Minimum rejection	€
HYE01220	Membrane ESPA1-4040	2600/9,8 (GDP/m <sup>3</sup> /d)	99,3%	
HYE01245	Membrane ESPA2-LD-4040	2000/7,57 (GDP/m <sup>3</sup> /d)	99,6%	
HYE01282	Membrane ESPA4-LD-4040	2350/8,9 (GDP/m <sup>3</sup> /d)	99,6%	

8"

Code	Description	Permeate flow rate (gpd)/(m3/g)	Minimum rejection	€
HYE02010	Membrane ESPA1	12000/45,4 (GDP/m <sup>3</sup> /d)	99,2%	
HYE02080	Membrane ESPA2-LD	10000/37,9 (GDP/m <sup>3</sup> /d)	99,6%	
HYE02060	ESPA2 MAX membrane	12000/45,4 (GDP/m <sup>3</sup> /d)	99,6%	
HYE02061	ESPA2-LD MAX membrane	12000/45,4 (GDP/m <sup>3</sup> /d)	99,5%	
HYE02144	Membrane ESPA4-LD	12000/45,4 (GDP/m <sup>3</sup> /d)	99,2%	
HYE02145	ESPA4-LD HP membrane	11000/41,6 (GDP/m <sup>3</sup> /d)	99%	
HYE02142	ESPA4 MAX membrane	13200/50,0 (GDP/m <sup>3</sup> /d)	99,2%	

## MEMBRANE CPA - HIGH REJECTION MEMBRANES

4"

Code	Description	Permeate flow rate (gpd)/(m3/g)	Minimum rejection	€
HYC01320	Membrane CPA2-4040	2250/8,5 (GDP/m <sup>3</sup> /d)	99,5%	
HYC01380	Membrane CPA5-LD-4040	2100/7,95 (GDP/m <sup>3</sup> /d)	99,7%	
HYC01381	Membrane CPA7-LD-4040	2300/8,71 (GDP/m <sup>3</sup> /d)	99,7%	

8"

Code	Description	Permeate flow rate (gpd)/(m3/g)	Minimum rejection	€
HYC02240	CPA3 membrane	11000/41,6 (GDP/m <sup>3</sup> /d)	99,7%	
HYC02340	Membrane CPA5-LD	11000/41,6 (GDP/m <sup>3</sup> /d)	99,7%	
HYC02342	CPA5 MAX membrane	12000/45,5 (GDP/m <sup>3</sup> /d)	99,7%	
HYC02350	Membrane CPA6-LD	8000/30,3 (GDP/m <sup>3</sup> /d)	99,75%	
HYC02352	Membrane CPA6-MAX	8800/33,4 (GDP/m <sup>3</sup> /d)	99,75%	
HYC02360	Membrane CPA7-LD	11500/43,5 (GDP/m <sup>3</sup> /d)	99,80%	
HYC02361	Membrane CPA7-MAX	12600/47,7 (GDP/m <sup>3</sup> /d)	99,70%	

## MEMBRANE LFC - LOW FOULING MEMBRANES

4"

Code	Description	Permeate flow rate (gpd)/(m3/g)	Minimum rejection	€
HYL06055	Membrane LFC3-LD-4040	2100/7,95 (GDP/m <sup>3</sup> /d)	99,7%	

8"

Code	Description	Permeate flow rate (gpd)/(m3/g)	Minimum rejection	€
HYL06060	LFC3-LD membrane	11000/41,6 (GDP/m <sup>3</sup> /d)	99,7%	

15.0

RO - NF - UF membranes, containers and accessories

## MEMBRANE ESNA - ENERGY SAVING NANOFILTRATION MEMBRANE

8"

Code	Description	Permeate flow rate (gpd)/(m <sup>3</sup> /g)	Minimum rejection	€
HYN02295	Membrane ESNA1-LF2	8400/31,8 (GDP/m <sup>3</sup> /d)	92,0%	
HYN02294	Membrane ESNA1-LF-LD	8400/31,8 (GDP/m <sup>3</sup> /d)	92,0%	
HYN02297	Membrane ESNA1-LF2-LD	10500/39,7 (GDP/m <sup>3</sup> /d)	90,0%	
HYN02296	ESNA4-LD membrane	11500/43,5 (GDP/m <sup>3</sup> /d)	>99,0%	

## SWC - SEA WATER MEMBRANES

4"

Code	Description	Permeate flow rate (gpd)/(m <sup>3</sup> /g)	Minimum rejection	€
HYS013975	Membrane SWC5-LD-4040	625/2,4 (GDP/m <sup>3</sup> /d)	99,4%	

8"

Code	Description	Permeate flow rate (gpd)/(m <sup>3</sup> /g)	Minimum rejection	€
HYS04120	SWC4+ membrane	6500/24,6 (GDP/m <sup>3</sup> /d)	99,8%	
HYS04155	SWC4-LD membrane	6500/24,6 (GDP/m <sup>3</sup> /d)	99,8%	
HYS04160	SWC4 MAX membrane	7200/27,3 (GDP/m <sup>3</sup> /d)	99,8%	
HYS04260	Membrane SWC5-LD	9000/34,1 (GDP/m <sup>3</sup> /d)	99,8%	
HYS04240	SWC5 MAX membrane	9900/37,5 (GDP/m <sup>3</sup> /d)	99,8%	
HYS042300	Membrane SWC6-LD	12000/45,5 (GDP/m <sup>3</sup> /d)	99,8%	
HYS04320	SWC6 MAX membrane	13200/50,0 (GDP/m <sup>3</sup> /d)	99,8%	

## HYDRANAUTICS SPARE PARTS

Code	Description	€
HYZ101850122	O-rings for interconnector 0.75" membrane 4" (single pcs)	
HYZ10187523	O-rings for interconnector 1.125" membrane 8" (kit 20 pcs)	
HYZ11158	External Interconnector 4" (0.75")	
HYZ11518	Internal interconnector 8" (1.125" for low pressure elements)	
HYZ11574	Internal interconnector 8" (1.125" for high pressure element)	
HYZ84473035	U-cup 4" Brine Seal	
HYZ84473040	U-cup 4.6" Brine Seal	
HYZ84473069	U-cup 8" Brine Seal	

15.0

RO - NF - UF membranes, containers and accessories



## HYDRANAUTICS ULTRAFILTRATION MODULES

### HYDRACAP ULTRAFILTRATION MODULES

Code	Description	€
HYU80040	HYDRACap 4040 module	
HYU80021	HYDRACap40 module	
HYU80025	HYDRACap60 module	
HYU80030	HYDRACap80 module	

### HYDRACAP MAX ULTRAFILTRATION MODULES

Code	Description	€
HYU80045	Modulo HYDRACapMAX 4040	
HYU80024	HYDRACapMAX 40 module	
HYU80029	HYDRACapMAX 60 module	
HYU80032	HYDRACapMAX 80 module	

### SPARE FOR ULTRAFILTRATION

Code	Description	€
HYZ10185144	Hydracap 8 adapt o ring 144 221A	
HYZ10185220	Hydracap 8 adapt o ring22 228A	
HYZ10185875	Hydracap 8 endcap O-ring 875 acs 1549	
HYZ11536000	Hydracap 8 End Cap Ported	
HYZ11537000	End Cap Non Ported	
HYZ11541100	Hydracap 8 metal clamp	
HYZ11546100	Hydracap 8 product end adapt	
HYZ11547100	Hydracap 8 plug adapt	
HYZ11612000	Hydracap 8 repair pin6	

15.0

RO - NF - UF membranes, containers and accessories

## HYDROPRO MEMBRANES

### RESIDENTIAL MEMBRANES

HIGH REJECTION

Code	Description	Size	GPD	Rejection %	Pressure	€
O1021780H1	Hydropro osmosis membrane	1812	50	98	65 PSI	
O1021782H1	Hydropro osmosis membrane	1812	75	98	80 PSI	
O1021784H1	Hydropro osmosis membrane	1812	100	98	80 PSI	
O1021786H1	Hydropro osmosis membrane	1812	150	97	80 PSI	
O1021787H1	Hydropro osmosis membrane	1812	200	97	80 PSI	
O1021788H1	Hydropro osmosis membrane	1812	250	97	80 PSI	
O1021789H1	Hydropro osmosis membrane	3012	300	97	90 PSI	

### COMMERCIAL MEMBRANES

Code	Description	Permeate flow rate (gpd)/(m3/g)	Minimum rejection	€
O1021800	BW-RO-2521-ULP	350 /1,30 (GDP/m <sup>3</sup> /d)	99 %	
O1021801	TW-RO-2540-XLP	700 /2,84 (GDP/m <sup>3</sup> /d)	99 %	
O1021802	BW-RO-2540-ULP	700 /2,84 (GDP/m <sup>3</sup> /d)	99 %	
O1021804	BW-RO-4021-ULP	1000 /3,80 (GDP/m <sup>3</sup> /d)	99 %	
O1021805	TW-RO-4040-XLP	2400 /9,10 (GDP/m <sup>3</sup> /d)	99,3 %	
O1021806	BW-RO-4040-ULP21	2400 /9,10 (GDP/m <sup>3</sup> /d)	99,3 %	
O1021808	BW-RO-4040-LP21	2400 /9,10 (GDP/m <sup>3</sup> /d)	99,5 %	

### INDUSTRIAL MEMBRANES

Code	Description	Permeate flow rate (gpd)/(m3/g)	Minimum rejection	€
O1021812	BW-RO-8040-ULP22	12000 /45,4 (GDP/m <sup>3</sup> /d)	99,3%	
O1021818	BW-RO-8040-LP22	10500 /39.7 (GDP/m <sup>3</sup> /d)	99,5%	

### SW MEMBRANES

Code	Description	Permeate flow rate (gpd)/(m3/g)	Minimum rejection	€
O1021821	SW-RO-2521	300 /1,14 (GDP/m <sup>3</sup> /d)	99,7 %	
O1021822	SW-RO-2540	600 /2,27 (GDP/m <sup>3</sup> /d)	99,7 %	
O1021823	SW-RO-4021	800 /3,03 (GDP/m <sup>3</sup> /d)	99,7 %	
O1021824	SW-RO-4040 (85 ft2)	1800 /6,80 (GDP/m <sup>3</sup> /d)	99,6 %	

### MEMBRANE FILMTEC

Code	Description	€
O1021707	TW30-1812-100	

### ASPRING MEMBRANES

Code	Description	€
O1021703	Membrane TW30-1812-50	
O1021704	Membrane TW30-2012-100	
O1021701	Membrane NF 90-2012-180	
O1021727	NF90-3012-460 GPD* membrane	
O1021920	Membrane OI-TFC 3013 400 GPD x RO400-CR	

\*Membrane tree D. 21 compatible with Vessel O1022002/2

# 15.0

RO - NF - UF membranes, containers and accessories

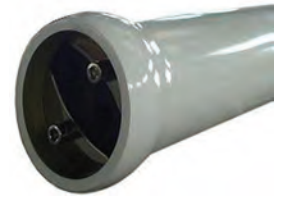
# GLASS FIBRE VESSELS FOR MEMBRANES



## VESSEL FOR 2" 1/2" MEMBRANES

### 300 PSI

Code	Description	€
FVR2514300	Pressure Vessel 1 item 2514	
FVR2521300	Pressure Vessel 1 item 2521	
FVR2540300	Pressure Vessel 1 element 2540	



### 600 PSI

Code	Description	€
FVR2514600	Pressure Vessel 1 element 2514*	
FVR2521600	Pressure Vessel 1 element 2521*	
FVR2540600	Pressure Vessel 1 element 2540*	

Upon request



### 1000 PSI

Code	Description	€
FVR2514100	Pressure Vessel 1 item 2514	
FVR2521100	Pressure Vessel 1 item 2521	
FVR2540100	Pressure Vessel 1 element 2540	



15.0

RO - NF - UF membranes, containers and accessories

# 4" END PORT MEMBRANE VESSEL

## 300 PSI

Code	Description	€
FVR4021A300	Pressure Vessel 1 element 4021 direct connection	
FVR4040A300	Pressure Vessel 1 element 4040 direct connection	
FVR4301E	Pressure Vessel 1 element 4040	
FVR4302E	Pressure Vessel 2 elements 4040	
FVR4303E	Pressure Vessel 3 elements 4040	
FVR4304E	Pressure Vessel 4 elements 4040	
FVR4305E	Pressure Vessel 5 elements 4040	



## 450 PSI

Code	Description	€
FVR4451E	Pressure Vessel 1 element 4040	
FVR4452E	Pressure Vessel 2 elements 4040	
FVR4453E	Pressure Vessel 3 elements 4040	
FVR4454E	Pressure Vessel 4 elements 4040	
FVR4455E	Pressure Vessel 5 elements 4040	



## 600 PSI

Code	Description	€
FVR4601E	Pressure Vessel 1 element 4040*	
FVR4602E	Pressure Vessel 2 elements 4040*	
FVR4603E	Pressure Vessel 3 elements 4040*	
FVR4604E	Pressure Vessel 4 elements 4040*	
FVR4605E	Pressure Vessel 5 elements 4040*	

Upon request



## 1000 PSI

Code	Description	€
FVR4021C1000	Pressure Vessel 1 element 4021	
FVR41001E	Pressure Vessel 1 element 4040	
FVR41002E	Pressure Vessel 2 elements 4040	
FVR41003E	Pressure Vessel 3 elements 4040	
FVR41004E	Pressure Vessel 4 elements 4040	
FVR41005E	Pressure Vessel 5 elements 4040	



## 1200 PSI

Code	Description	€
FVR41201E	Pressure Vessel 1 element 4040*	
FVR41202E	Pressure Vessel 2 elements 4040*	
FVR41203E	Pressure Vessel 3 elements 4040*	
FVR41204E	Pressure Vessel 4 elements 4040*	
FVR41205E	Pressure Vessel 5 elements 4040*	

Upon request



# 15.0

RO - NF - UF membranes, containers and accessories

## 4" SIDE PORT MEMBRANES

Vessels supplied with standard doors in positions 1-5. Versions with connections in different positions are available on request.



### 300 PSI

Code	Description	€
FVR4301S	Pressure Vessel 1 element 4040	
FVR4301S17C	Pressure Vessel 1 element 4040 C1C7 - PP 1/2" Rc	
FVR4302S	Pressure Vessel 2 elements 4040	
FVR4302S17C	Pressure Vessel 2 elements 4040 C1C7 - PP 1/2" Rc	
FVR4303S	Pressure Vessel 3 elements 4040	
FVR4303S17C	Pressure Vessel 3 elements 4040 C1C7 - PP 1/2" Rc	
FVR4303S135C	Pressure Vessel 3 elements 4040 C1C3C5 - PP 1/2" Rc	
FVR4304S	Pressure Vessel 4 elements 4040	
FVR4305S	Pressure Vessel 5 elements 4040	



### 450 PSI

Code	Description	€
FVR4451S	Pressure Vessel 1 element 4040	
FVR4452S	Pressure Vessel 2 elements 4040	
FVR4453S	Pressure Vessel 3 elements 4040	
FVR4454S	Pressure Vessel 4 elements 4040	
FVR4455S	Pressure Vessel 5 elements 4040	



### 600 PSI

Code	Description	€
FVR4601S	Pressure Vessel 1 element 4040*	
FVR4602S	Pressure Vessel 2 elements 4040*	
FVR4603S	Pressure Vessel 3 elements 4040*	
FVR4604S	Pressure Vessel 4 elements 4040*	
FVR4605S	Pressure Vessel 5 elements 4040*	



Upon request

### 1000 PSI

Code	Description	€
FVR41001S	Pressure Vessel 1 element 4040	
FVR41002S	Pressure Vessel 2 elements 4040	
FVR41003S	Pressure Vessel 3 elements 4040	
FVR41004S	Pressure Vessel 4 elements 4040	
FVR41005S	Pressure Vessel 5 elements 4040	



### 1200 PSI

Code	Description	€
FVR41201S	Pressure Vessel 1 element 4040*	
FVR41202S	Pressure Vessel 2 elements 4040*	
FVR41203S	Pressure Vessel 3 elements 4040*	
FVR41204S	Pressure Vessel 4 elements 4040*	
FVR41205S	Pressure Vessel 5 elements 4040*	



Upon request

# 8" END PORT MEMBRANES

## 300 PSI

Code	Description	€
FVR8301E	Pressure Vessel 1 element 8040	
FVR8302E	Pressure Vessel 2 elements 8040	
FVR8303E	Pressure Vessel 3 elements 8040	
FVR8304E	Pressure Vessel 4 elements 8040	
FVR8305E	Pressure Vessel 5 elements 8040	
FVR8306E	Pressure Vessel 6 elements 8040	
FVR8307E	Pressure Vessel 7 elements 8040	
FVR8308E	Pressure Vessel 8 elements 8040	

Code	Description	€
FVR8451E	Pressure Vessel 1 element 8040	
FVR8452E	Pressure Vessel 2 elements 8040	
FVR8453E	Pressure Vessel 3 elements 8040	
FVR8454E	Pressure Vessel 4 elements 8040	
FVR8455E	Pressure Vessel 5 elements 8040	
FVR8456E	Pressure Vessel 6 elements 8040	
FVR8457E	Pressure Vessel 7 elements 8040	
FVR8458E	Pressure Vessel 8 elements 8040	

Code	Description	€
FVR8601E	Pressure Vessel 1 element 8040*	
FVR8602E	Pressure Vessel 2 elements 8040*	
FVR8603E	Pressure Vessel 3 elements 8040*	
FVR8604E	Pressure Vessel 4 elements 8040*	
FVR8605E	Pressure Vessel 5 elements 8040*	
FVR8606E	Pressure Vessel 6 elements 8040*	
FVR8607E	Pressure Vessel 7 elements 8040*	
FVR8608E	Pressure Vessel 8 elements 8040*	

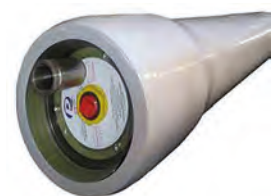
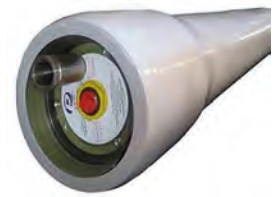
Upon request

Code	Description	€
FVR81001E	Pressure Vessel 1 element 8040	
FVR81002E	Pressure Vessel 2 elements 8040	
FVR81003E	Pressure Vessel 3 elements 8040	
FVR81004E	Pressure Vessel 4 elements 8040	
FVR81005E	Pressure Vessel 5 elements 8040	
FVR81006E	Pressure Vessel 6 elements 8040	
FVR81007E	Pressure Vessel 7 elements 8040	
FVR81008E	Pressure Vessel 8 elements 8040	

## 1200 PSI

Code	Description	€
FVR81201E	Pressure Vessel 1 element 8040*	
FVR81202E	Pressure Vessel 2 elements 8040*	
FVR81203E	Pressure Vessel 3 elements 8040*	
FVR81204E	Pressure Vessel 4 elements 8040*	
FVR81205E	Pressure Vessel 5 elements 8040*	
FVR81206E	Pressure Vessel 6 elements 8040*	
FVR81207E	Pressure Vessel 7 elements 8040*	
FVR81208E	Pressure Vessel 8 elements 8040*	

Upon request



# 15.0

RO - NF - UF membranes, containers and accessories



## 8" SIDE PORT MEMBRANES

Vessels supplied with standard doors in positions 1-5. Versions with connections in different positions are available on request.



### 300 PSI

Code	Description	€
FVR8301S	Pressure Vessel 1 element 8040	
FVR8301S17D	Pressure Vessel 1 elements 8040 D1D7-PP1"/32 UA	
FVR8302S	Pressure Vessel 2 elements 8040	
FVR8303S	Pressure Vessel 3 elements 8040	
FVR8304S	Pressure Vessel 4 elements 8040	
FVR8305S	Pressure Vessel 5 elements 8040	
FVR8306S	Pressure Vessel 6 elements 8040	
FVR8307S	Pressure Vessel 7 elements 8040	
FVR8308S	Pressure Vessel 8 elements 8040	



Code	Description	€
FVR8451S	Pressure Vessel 1 element 8040	
FVR8451S17D	Pressure Vessel 1 element 8040 D1D7-PP1"/32 UA	
FVR8452S	Pressure Vessel 2 elements 8040	
FVR8452S17D	Pressure Vessel 2 elements 8040 D1D7-PP1"/32 UA	
FVR8453S	Pressure Vessel 3 elements 8040	
FVR8453S17E	Pressure Vessel 3 elements 8040 E1E7-PP1"/32 UA	
FVR8453S135E	Pressure Vessel 3 elements 8040 E1E3E5-PP1"/32 UA	
FVR8454S	Pressure Vessel 4 elements 8040	
FVR8454S17E	Pressure Vessel 4 elements 8040 E1E7-PP1"/32 UA	
FVR8454S135E	Pressure Vessel 4 elements 8040 E1E3E5-PP1"/32 UA	
FVR8455S	Pressure Vessel 5 elements 8040	
FVR8456S	Pressure Vessel 6 elements 8040	
FVR8457S	Pressure Vessel 7 elements 8040	
FVR8458S	Pressure Vessel 8 elements 8040	



Code	Description	€
FVR8601S	Pressure Vessel 1 element 8040*	
FVR8602S	Pressure Vessel 2 elements 8040*	
FVR8603S	Pressure Vessel 3 elements 8040*	
FVR8604S	Pressure Vessel 4 elements 8040*	
FVR8605S	Pressure Vessel 5 elements 8040*	
FVR8606S	Pressure Vessel 6 elements 8040*	
FVR8607S	Pressure Vessel 7 elements 8040*	
FVR8608S	Pressure Vessel 8 elements 8040*	



Upon request

Code	Description	€
FVR81001S	Pressure Vessel 1 element 8040	
FVR81002S	Pressure Vessel 2 elements 8040	
FVR81003S	Pressure Vessel 3 elements 8040	
FVR81004S	Pressure Vessel 4 elements 8040	
FVR81005S	Pressure Vessel 5 elements 8040	
FVR81006S	Pressure Vessel 6 elements 8040	
FVR81007S	Pressure Vessel 7 elements 8040	
FVR81008S	Pressure Vessel 8 elements 8040	



## 1200 PSI

Code	Description	€
FVR81201S	Pressure Vessel 1 element 8040*	
FVR81202S	Pressure Vessel 2 elements 8040*	
FVR81203S	Pressure Vessel 3 elements 8040*	
FVR81204S	Pressure Vessel 4 elements 8040*	
FVR81205S	Pressure Vessel 5 elements 8040*	
FVR81206S	Pressure Vessel 6 elements 8040*	
FVR81207S	Pressure Vessel 7 elements 8040*	
FVR81208S	Pressure Vessel 8 elements 8040*	

Upon request



## FIBREGLASS VESSEL ACCESSORIES

### LOGS

Code	Description	€
OI022591	Grooved socket AISI 316 - 3/4" ( 26.7 x 45 mm)	
OI022588	Grooved socket AISI 316 - 1" ( 33.7 x 45 mm)	
OI022590	Grooved socket AISI 316 - 1 1/2 (48.3 x 60 mm)	
OI022592	Grooved socket AISI 316 - 2" ( 60.3 x 60 mm)	
OI022594	Grooved socket AISI 316 - 2 1/2 (73.0 x 90 mm)	
OI022593	Grooved socket AISI 316 - 3" (88.9 x 57 mm)	
OI022595	Grooved socket AISI 316 - 1 1/2 Thread. M (lg. 60 mm)	



## GROOVED JOINTS 500 PSI

Code	Description	€
OI022650	Grooved Joint 1"-500 PSI Cast-Iron Vern. (33,7 mm)	
OI022651	Grooved Coupling 1 1/4-500 PSI Cast-Iron Vern. (42,4 mm)	
OI022652	Grooved Coupling 1 1/2-500 PSI Cast-Iron Vern. (48,3 mm)	
OI022653	Grooved Joint 2"-500 PSI Cast-Iron Vern. (60,3 mm)	
OI022655	Grooved Joint 3" OD-500 PSI Cast-Iron Vern. (76,1 mm)	
OI022656	Grooved Coupling 3"-500 PSI Cast-Iron Vern. (88,9 mm)	



## VICTAULIC SPLINED JOINTS 1000 PSI

Code	Description	€
OI022640	Joint 1" Vict. 77-1000 PSI Cast-Iron Vern. (33,7 mm)	
OI022641	Joint 1 1/4 Vict. 77-1000 PSI Cast-Iron Vern. (42,4 mm)	
OI022642	Joint 1 1/2 Vict. 77-1000 PSI Cast-Iron Vern. (8,3 mm)	
OI022643	Joint 2" Vict. 77-1000 PSI Cast-Iron Vern. (60,3 mm)	
OI022644	Joint 2 1/2 Vict. 77-1000 PSI Cast-Iron Vern. (73,0 mm)	
OI0226441	Coupling 3" OD Vict.77-1000 PSI Cast-Iron Vern. (76,1 mm)	
OI022645	Joint 3" Vict. 77-1000 PSI Cast-Iron Vern. (88,9 mm)	



# 15.0

RO - NF - UF membranes, containers and accessories

## ORIGINAL

Code	Description	€
FV25000	FRP Cap kit for 21/2" 300 psi 1/4" NPT vessel	
FV25000/1	FRP Cap kit for vessel 21/2" 300 psi 1/4" Rc ISO 7/1	
FV40046	FRP 4" D.C. vessel cap 300PSI 1/2" x 1/2 "Rc ISO 7/1	
FV40048	FRP 4" vessel plug SP 300/450PSI Side-Port 1/2 "Rc ISO 7/1	
FV40050/1	FRP 4" vessel cap EP 300/450PSI 3/4" x 1/2 "Rc ISO 7/1	
FV40050	FRP 4" 300/450 psi vessel cap 3/4" x 1/2" NPT	
FV40054	FRP O-ring large for cap 4" (90x5.3)	
FV40056	FRP M/F adapter for 4" cap (4021)	
FV40058	FRP Steel Segment Block 4" (4011)	
FV40060	FRP O-ring small for cap 4" (17x2.65)	
FV40062	FRP O-ring for M/F adapter for 4" cap (19x2.65)	
FV40064	FRP Stainless steel band for vessel 4" (4008)	
FV40066	FRP Screw M8x60 for tie rod	
FV40068	FRP Saddle for vessel 4" -4010	
FV40070	FRP T appo for vessel 4" 1000 psi (4068)	
FV40072	FRP O-ring (28.5x3.55) for power connector 1000psi	
FV40074	FRP Locking ring for power connector 1000psi -4039	
FV40076	FRP Connector alim/conc(4038) vessel 4" 1000psi	
FV40078	FRP Spacer blocking cap 4036 vessel 4" 1000psi	
FV40080	FRP Aluminium collar 4036 for vessel 4" 1000psi	
FV40082	FRP Aluminium Segment Cap Block 4" 1000psi - 4024	
FV40084	FRP Permeate connector 4022 for vessel 4" 1000psi	
FV40086	FRP T appo M12 for permeate connector 4013	
FV40088	FRP Screw M6x10.3 for segment fixing	
FV40090	FRP O-ring 25x2,65 for permeate connector	
FV40092	FRP Stainless steel band for vessel 4" (4008.2)	
FV40094	FRP Screw M6x25 for vessel plug fixing 4" 1000psi	
FV800050	Saddle and tie rod kit for vessel VTR 8"	
FV800054	FRP O-Ring per Vessel Ropv 190*5.3	
FV800055	FRP O-Ring per Vessel Ropv 36.5*3.55	
FV800058	FRP O-Ring per Vessel Ropv 47.5*3.55	
FV800063	FRP O-Ring per Vessel Ropv 23.6*2.65	
FV800071	FRP O-Ring per Vessel Ropv 58*2.65	
FV800082	Permeate Plug A8006 1" NPT M for End & Side Version	
FV800084	Permeate Union Adapter Kit 1" BS & Metric Style	
FV800110	Thrust Ring A8011.2	
FV800112	Thrust Ring A8011.4	
FV800619	Thrust Ring A8011.1	
FV800620	Thrust Ring side port 600-1000-1200 A8011.3	
FV800010	8" diaphragm adapter type HYDRANAUTICS - 1.125"	
FV800011	8" diaphragm adapter type BW30LE440 - 1.5"	
FV800618	Diaphragm adapter 8" type 1.125" SW A8012.3	
FV800012	GE-type 8" diaphragm adapter - 1.187"	
FV800014	Membrane adapter 8" blind type - 1.125"	
FV8000E	Complete 8" ROPV 300 psi end port cap kit	
FV80001S	Complete 8" ROPV 300 psi side port cap kit	
FV8001E	Vessel cap kit 8" ROPV 450 psi end port complete	
FV80002S	Vessel cap kit 8" ROPV 450 psi side port complete	
FV8003E	Complete 8" ROPV 1000 psi end port cap kit	
FV80004S	Complete 8" ROPV 1000 psi side port cap kit	

# AISI 316L MEMBRANE VESSEL

## 2 1/2" MEMBRANES

### 250 PSI MOPLEN CAPS

Code	Description	€
OI022600	Stainless steel vessel for membranes 2514	
OI022610	Stainless steel vessel for membranes 2521	
OI022620	Stainless steel vessel for membranes 2540	



Code	no. Elements	length (L) mm	Ø mm	Attacks in	Connections concentrate	Connections permeate
OI022600	1	405	70	1/4" BSP F	1/4" BSP F	1/4" BSP F
OI022610	1	585	70	1/4" BSP F	1/4" BSP F	1/4" BSP F
OI022620	1	1070	70	1/4" BSP F	1/4" BSP F	1/4" BSP F

## 4" MEMBRANES

### 250 PSI MOPLEN CAPS

Code	Description	€
OI022110	Stainless steel vessel for membranes 4021	
OI022120	1-element stainless steel vessel for membranes 4040	
OI022130	2-element stainless steel vessel for membranes 4040	
OI022140	3-element stainless steel vessel for membranes 4040	
OI022150	4-element stainless steel vessel for membranes 4040	
OI022160	5-element stainless steel vessel for membranes 4040	



Code	no. Elements	length (L) mm	Ø mm	Attacks in	Connections concentrate	Connections permeate
OI022110	1	640	106	1/2" BSP F	1/2" BSP F	1/2" BSP F
OI022120	1	1085	106	1/2" BSP F	3/8" BSP F	1/2" BSP F
OI022130	2	2105	106	1/2" BSP F	3/8" BSP F	1/2" BSP F
OI022140	3	3125	106	1/2" BSP F	3/8" BSP F	1/2" BSP F
OI022150	4	4140	106	1/2" BSP F	3/8" BSP F	1/2" BSP F
OI022160	5	5155	106	1/2" BSP F	3/8" BSP F	1/2" BSP F

### 250 PSI WITH CLAMP AND MOULDED PLUGS

Code	Description	€
OI022165	Stainless steel vessel for membranes 4021	
OI022170	1-element stainless steel vessel for membranes 4040	
OI022180	2-element stainless steel vessel for membranes 4040	



Code	no. Elements	length (L) mm	Ø mm	Attacks in	Connections concentrate	Connections permeate
OI022165	1	640	106	1/2" BSP F	1/2" BSP F	1/2" BSP F
OI022170	1	1085	106	1/2" BSP F	1/2" BSP F	1/2" BSP F
OI022180	2	2105	106	1/2" BSP F	1/2" BSP F	1/2" BSP F

15.0

RO - NF - UF membranes, containers and accessories

## 600 PSI WITH AISI 316L CAPS

Code	Description	€
OI022109	1-element stainless steel vessel for membranes 4021	
OI022220	1-element stainless steel vessel for membranes 4040	
OI022230	2-element stainless steel vessel for membranes 4040	
OI022240	3-element stainless steel vessel for membranes 4040	



Code	no. Elements	length (L) mm	Ø mm	Attacks in	Connections concentrate	Connections permeate
OI022109	1	605	106	1/2" BSP F	1/2" BSP F	1/2" BSP F
OI022220	1	1088	106	1/2" BSP F	1/2" BSP F	1/2" BSP F
OI022230	2	2105	106	1/2" BSP F	1/2" BSP F	1/2" BSP F
OI022240	3	3122	106	1/2" BSP F	1/2" BSP F	1/2" BSP F

## 1000 PSI SIDE PORT 180° VICTAULIC

Code	Description	€
OI022320	1-element stainless steel vessel for membranes 4040	
OI022330	2-element stainless steel vessel for membranes 4040	
OI022340	3-element stainless steel vessel for membranes 4040	



Code	no. Elements	Length L mm	Connections concentrate	Connections permeate
OI022320	1	1150	3/4" Vict.	3/4" Vict.
OI022330	2	2167	3/4" Vict.	3/4" Vict.
OI022340	3	3183	3/4" Vict.	3/4" Vict.

## 400 PSI END PORT VICTAULIC 1" 1/2

Code	Description	€
OI022420	1-element stainless steel vessel for membranes 8040	
OI022430	2-element stainless steel vessel for membranes 8040	
OI022440	3-element stainless steel vessel for membranes 8040	
OI022450	4-element stainless steel vessel for membranes 8040	
OI022460	5-element stainless steel vessel for membranes 8040	
OI022470	6-element stainless steel vessel for membranes 8040	



Code	no. Elements	Length L mm	Connections concentrate	Connections permeate
OI022420	1	1190	1" 1/2 Vict.	1" 1/2 Vict.
OI022430	2	2210	1" 1/2 Vict.	1" 1/2 Vict.
OI022440	3	3230	1" 1/2 Vict.	1" 1/2 Vict.
OI022450	4	4240	1" 1/2 Vict.	1" 1/2 Vict.
OI022460	5	5260	1" 1/2 Vict.	1" 1/2 Vict.
OI022470	6	6275	1" 1/2 Vict.	1" 1/2 Vict.

## 400 PSI SIDE PORT VICTAULIC 1" 1/2

Code	Description	€
O1022520	1-element stainless steel vessel for membranes 8040	
O1022530	2-element stainless steel vessel for membranes 8040	
O1022540	3-element stainless steel vessel for membranes 8040	
O1022550	4-element stainless steel vessel for membranes 8040	
O1022560	5-element stainless steel vessel for membranes 8040	
O1022570	6-element stainless steel vessel for membranes 8040	



Code	no. Elements	Length L mm	Connections concentrate	Connections permeate
O1022520	1	1360	1" 1/2 Vict.	1" 1/2 Vict.
O1022530	2	2375	1" 1/2 Vict.	1" 1/2 Vict.
O1022540	3	3393	1" 1/2 Vict.	1" 1/2 Vict.
O1022550	4	4415	1" 1/2 Vict.	1" 1/2 Vict.
O1022560	5	5430	1" 1/2 Vict.	1" 1/2 Vict.
O1022570	6	6450	1" 1/2 Vict.	1" 1/2 Vict.

# 15.0

RO - NF - UF membranes, containers and accessories



## VESSEL SPARE PARTS

### FOR VESSEL 2" 1/2

Code	Description	€
OI022111	Plug 2"1/2 PP complete with o-ring 1 hole	
OI022112	Plug 2"1/2 PP complete with o-ring 2 holes	
OI022113	O-ring 162 for cap 2"1/2	
OI022114	O-ring 3075 permeate for cap 2"1/2	
OI022115	Seeger Dacromet 2"1/2	

### FOR VESSEL 4"

Code	Description	€
OI022118	Plug 4" 1 hole for vessel PVC 4003	
OI022119	Plug 4" 2 holes for vessel PVC 4004	
OI022121	Plug 4" PP complete with o-ring 1 hole	
OI022122	Plug 4" PP complete with o-ring 2 holes	
OI022123	O-ring 6362 for 4" cap	
OI022124	O-ring 3075 permeated for 4" cap	
OI022125	Seeger Dacromet 4"	
OI022126	Saddle and tie rod kit for 4" vessels	
OI022127	Filmtec PP membrane cap adapter for vessel 4" 1000 PSI	
OI022128	Filmtec PP interconnector	
OI022129	Stainless steel spiral ring 4"	
OI022131	Stainless steel sections 4"	
OI022132	M8x16 screws for 4" stainless steel sectors	
OI022146	4" stainless steel cap complete with o-ring 1 hole	
OI022147	4" stainless steel cap complete with 2-hole o-ring	

### FOR VESSEL 8"

Code	Description	€
OI022133	Saddle and tie rod kit for vessel 8"	
OI022134	Locking sector kit for vessel 8"	
OI022135	M8x16 screws for 8" stainless steel sectors	
OI022136	Filmtec PP membrane cap adapter for vessel 8"	
OI022137	PP extension for vessel 8" side port	
OI022138	PVC contrast ring for vessel 8" end port	
OI022139	Steel contrast ring for vessel 8" side port	
OI022141	O-ring 235 for 8" cap	
OI022142	O-ring 4131 permeate for 8" cap	
OI022143	O-ring 4125 for BW LE diaphragm cap adapter	
OI022144	O-ring 132 for BW 400 diaphragm cap adapter	
OI022145	8" stainless steel cap complete with o-ring	

# PLASTIC MEMBRANE VESSELS

## PLASTIC VESSEL

### FOR MEMBRANES 1812 150 PSI

SOLD IN PACKS OF 20

Code	Description	€
------	-------------	---

O1022000	Vessel plastic container for membrane 1812 150 PSI	
----------	----------------------------------------------------	--



### FOR MEMBRANES 3012

Code	Description	€
------	-------------	---

O1022002/2	Vessel container 150 PSI plastic for membrane 3012 ASPRING	
------------	------------------------------------------------------------	--



O1021830	Adapter Ø21 x Ø17 for 3" membrane shank	
----------	-----------------------------------------	--



### FOR MEMBRANES 3208 & 3308

Code	Description	€
------	-------------	---

O1022005	Vessel plastic container Ametec 10" Blue 3/4 for membrane N/F N3208	
----------	---------------------------------------------------------------------	--



# 15.0

RO - NF - UF membranes, containers and accessories





# 16.0

***Ion exchange resins,  
filter materials and  
chemicals***

## EXCHANGE RESINS

### PURESOFT STRONG CATIONIC



Code	Description	€
MF300060/cl	Strong cationic softening resin PURESOFT C107 FG	
MF300061/cl	Strong cationic softening resin PURESOFT PLUS C108 FG	
MF300030/cl	Strong cationic macroporous Na+ resin	

### CARBOXYLIC RESIN

Code	Description	€
MF300035A/cl	PURESOFT TC115 carboxyl resin pack of 25 lt - 30% Na+	

### MIXED BED

Code	Description	€
MF300082/cl	Mixed bed resin MB 82 NVC MB-2 no colour change	

### SELECTIVE FOR NITRATES

Code	Description	€
MF300050/cl	Selective anionic resin for nitrate NO <sub>3</sub>	

### SELECTIVE FOR PFAS

Code	Description	€
MF300072/cl	Selective anion resin for nitrates NO <sub>3</sub>	

### LANXESS STRONG CATIONIC



Code	Description	€
MF300061	Lewatit S1567 strong cationic monosphere softening resin, in 25 l bags	

### DU PONT STRONG CATIONIC

Code	Description	€
MF300061	Strong cationic resin for add 25 lt bags HCRSSN	

### PUROLITE STRONG CATIONIC RESIN



Code	Description	€
MF300060/p	Strong cationic softening resin Purolite C100E	
MF300060/Ag	Strong cationic softening resin Purolite C100E Ag	
MF300059	Strong cationic softening resin Purolite SST-60 for Ca Mg Fe Mn	
MF300030/p	Purolite C150 macroporous resin	
MF300063	Colour-change cationic resin Purolite C100EVC	
MF300061/p	Purolite PFC100E strong cationic resin	

### STRONG CATIONIC RESIN FOR DEMINERALISATION

Code	Description	€
MF300060H+	Purolite C100MBH strong cationic resin	
MF300031/p	Purolite C150MBH macroporous strong cationic resin	

### CARBOXYLIC RESIN

Code	Description	€
MF300034/p	Cationic carboxylic resin Purolite C104 PLUS	
MF300035/P	Purolite carboxylic resin C107E/4752	

## MIXED-BED RESIN

Code	Description	€
MF300081	Purolite MB400IND colour-mixed bedding resin	
MF300082/p	Purolite MB400 mixed bed resin	

## WEAK ANIONIC RESIN FOR DEMINERALISATION

Code	Description	€
MF300041/p	Weak anionic resin Purolite A100	
MF300071/p	Weak macroporous anionic resin Purolite A103S	
MF300070/p	Weak macroporous anionic resin Purolite A103	

## STRONG ANIONIC RESIN FOR DEMINERALISATION

Code	Description	€
MF300040/P	Purolite A200 type II strong anionic resin	
MF300044/P	Purolite A200MBOH type II strong anionic resin	
MF300043/P	Purolite A500 Type I macroporous strong anionic resin	
MF300045/p	Putolite A510 type II strong macroporous anionic resin	

## SELECTIVE RESINS

Code	Description	€
MF300033/p	Chelating resin for boron removal Purolite S108	
MF300036/p	Chelating resin for heavy metals Purolite S930 PLUS	
MF300050/P	Purolite A520E Nitrate Selective Resin	
MF300055	Selective arsenic resin Purolite Ferrix 33	

## SELECTIVE FOR PFAS

Code	Description	€
MF300072/P	PFA694E Resin for PFAS Removal	





## FILTER MATERIALS

### FILTER MATERIALS

Code	Description	€
MF300140	Anthracite for filtration with grain size 0.8x1.6 in 25 kg bags	
22950790	Micro-pearl quartz sand with a grain size of 0.4x0.8, in 25 kg bags	
22950797	Micro-pearl quartz sand with a grain size of 0.7x1.2, in 25 kg bags	
22950791	Micro-pearl quartz sand with 1x3 grain size, in 25 kg bags	
22950792	Micro-pearl quartz sand with 3x5 grain size, in 25 kg bags	
22950796	Quartzite with a grain size of 10x18, in 25 kg bags	
MF300130	Natural quartzite 3.15 x 5.6 DIN standard in 25 kg bags	
MF300011	Filter-Ag Plus, in 28 l bags	
22950795	Zelbrite, natural active filter, in 15 kg bags	

### ABSORBENT MATERIALS

Code	Description	€
MF300000	Vegetable granular activated carbon 8x30 mesh in 25 kg bags	
MF300002	Mineral granular activated carbon 8x30 mesh in 25 kg bags	
MF300001A	Activated carbon Carbosorb 12X40 NC1240 AG 25 kg bag	

### CATALYST MATERIALS



Code	Description	€
MF300010	BIRM catalytic iron removal material, in 28 l bags	
MF300015	Manganese dioxide (pyrolusite), in 25 kg bags	
MF300020	Greensand Plus manganese zeolite in 14-litre bags	

### REMINERALISING MATERIALS

Code	Description	€
MF300185	WATER - CALCIT calcined dolomite in ball form, in 25 kg bags	
MF300186	Hydrolite calcined dolomite WATER CALCIT M3G sc 25 kg	

# CHEMICALS

## AVISTA PRODUCTS FOR MEMBRANES

### ANTINCROSTANTIS



#### EFFECTIVE AGAINST

PRODUCT NAME	INCOSTRAZIONE						IRON	COLLOIDS AND LIMO	SILICA	CC*
	CaCO <sub>3</sub>	CaSO <sub>4</sub>	SrSO <sub>4</sub>	CaPO <sub>4</sub>	BaSO <sub>4</sub>	MgOH				
Vitec 1141	●	●	●	●	●		●	●		
Vitec 3000	●	●	●		●			●	●	
Vitec 4000	●	●	●		●		●	●		
Vitec 5000	●	●	●		●			●	●	
Vitec 5100	●	●	●		●			●	●	
Vitec 7000	●	●	●		●			●	●	

CC\*: compatible with coagulant

● : Effective

● : BALANCING

#### VITEC PRODUCT SUITABLE FOR APPLICATION

APPLICATION	1141	3000	4000	5000	5100	7000
Well water	●	●		●	●	
Open sea waters		●		●	●	
Aqueduct water		●		●	●	
BWRO brackish surface waters	●	●		●	●	
Treated effluent	●	●		●	●	
Drain water	●	●				
Brackish or sea water containing a lot of silica			●			
Water with high sulphates						●
High pH water	●					

● : Effective

● : BALANCING

# 16.0

Ion exchange resins, filter materials and chemicals

**VITEC 1141**

<b>Code</b>	<b>Description</b>	<b>€</b>
MFAV11001	Antiscalant Avista Vitec 1141 in 20 kg pack	

**VITEC 3000**

<b>Code</b>	<b>Description</b>	<b>€</b>
MFAV30001	Antiscalant Avista Vitec 3000 - Pack of 23 kg	
MFAV30002	Antiscalant Avista Vitec 3000 - Pack of 230 kg	
MFAV30003	Antiscalant Avista Vitec 3000 - 1100 kg pack	

**VITEC 4000**

<b>Code</b>	<b>Description</b>	<b>€</b>
MFAV40001	Antiscalant Avista Vitec 4000 - Pack of 23 kg	
MFAV40002	Antiscalant Avista Vitec 4000 - Pack of 230 kg	
MFAV40003	Antiscalant Avista Vitec 4000 - 1100 kg pack	

**VITEC 5000**

<b>Code</b>	<b>Description</b>	<b>€</b>
MFAV51001	Antiscalant Avista Vitec 5100 - Pack of 23 kg	
MFAV51002	Antiscalant Avista Vitec 5100 - Pack of 230 kg	
MFAV51003	Antiscalant Avista Vitec 5100 - 1100 kg pack	

**VITEC 7000**

<b>Code</b>	<b>Description</b>	<b>€</b>
MFAV70001	Antiscalant Avista Vitec 7000 - Pack of 23 kg	
MFAV70002	Antiscalant Avista Vitec 7000 - Pack of 230 kg	
MFAV70003	Antiscalant Avista Vitec 7000 - 1100 kg pack	

## BIOCIDES

PRODUCT NAME	EFFECTIVE AGAINST				DOSING TYPE		MEMBRANE COMPATIBILITY
	Bacteria	Yeast	Algae	CIP	Continuous	Shock	
Vitec 1000	●	●	●	●		●	●
Vitec 2000	●	●	●	●		●	●
Vitec 3000	●	●	●		●		●

- : Effective
- : BALANCING

### ROCIDE DB5

Code	Description	€
MFABDB51	Biocide Avista ROcide DB5 - 20 kg pack	
MFABDB52	Biocide Avista ROcide DB5 - 227 kg package	
MFABDB53	Biocide Avista ROcide DB5 - 1090 kg package	

### ROCIDE DB20

Code	Description	€
MFABDB201	Biocide Avista ROcide DB20 - 20 kg package	
MFABDB202	Biocide Avista ROcide DB20 - 227 kg package	
MFABDB203	Biocide Avista ROcide DB20 - 1200 kg package	

### ROCIDE IS2

Code	Description	€
MFABIS21	Biocide Avista ROcide IS2 - 25 kg package	
MFABIS22	Biocide Avista ROcide IS2 - 200 kg package	

### ROCIDE LC

Code	Description	€
MFABLC1	Biocide Avista ROcide LC - 20 kg package	
MFABLC2	Biocide Avista ROcide LC - 200 kg package	

### ROCIDE SC

Code	Description	€
MFABSC1	Biocide Avista ROcide SC - 20 kg package	

# CLEANER

16.0

Ion exchange resins, filter materials and chemicals

PRODUCT NAME	TYPE OF DIRT							
			METALS	ENCrustATIONS		SILT	ORGANIC SUBSTANCES	
	Polyamide Membranes	Cellulose acetate membranes	Iron, manganese and aluminium	Calcium carbonate	Sulphate		Not organic	Organic
RoClean L102	●	●						●
RoClean L211	●				●	●	●	●
RoClean L212	●					●	●	●
RoClean L403	●	●	●	●				
RoClean L404	●	●	●	●				
RoClean L607		●				●	●	●
RoClean L811	●				●			
RoClean L111	●				●	●	●	●
RoClean L112	●					●	●	●
RoClean L303	●	●	●	●				
RoClean L507		●				●	●	●
RoClean L703	●	●	●					
RoClean L911	●					●	●	●

● : Effective  
● : Optimal

Code	Description	€
MFACL4031	Cleaner Liq Acid Avista L403 - 20 Kg pack	
MFACL4041	Cleaner Liq Acid Avista L404 - 20 Kg pack	
MFACL2111	Cleaner Liq Basic Avista L211 - 20 Kg pack	
MFACL2112	Cleaner Liq Basic Avista L212 - 20 Kg pack	
MFACL8111	Cleaner Liq Basic Avista L811 - 20 Kg pack	
MFACL9111	Cleaner Liq Basic Avista L911 - 20 Kg pack	
MFACP3031	Cleaner Powd Acid Avista P303 - 20 Kg pack	
MFACP7031	Cleaner Powd Acid Avista P703 - 20 Kg pack	
MFACP1121	Cleaner Powd Basic Avista P112 - 20 Kg pack	
MFACP9111	Cleaner Powd Basic Avista P911 - 20 Kg pack	
MFACP1111	Cleaner Powd Basic Avista P111 - 20 Kg pack	
MFACL6071	Cleaner Liq Neut Avista L607 - 20 Kg pack	

## WATERLINE PRODUCTS FOR MEMBRANES

### ANTISCALANTS

Code	Description	€
MF300304	AF 100 RO anti-scaling product, food certification, 25 kg can	
MF300314	Anti-scaling product for silica AF 750 25 kg can	

## WATERLINE PRODUCTS FOR WATER TREATMENT

Code	Description	€
MF300170	Potassium permanganate, in 25 kg buckets	
MF300318	Sanitizing bactericide Saniter LP 15 (indicated against Legionella Pneumophila), 25 kg can	
0502641	Anti-corrosive deoxygenating product for boilers Vaporsan 522, 25 kg can	
0502643	Anti-scaling dealkalinizing product for Polival GV boilers, 25 kg can	
MF300100	Powdered polyphosphate for proportional dispensers, in 18 kg box	
MF300112W	Polyphosphate in medium transparent crystals, in a 25 kg box	
MF300113	Polyphosphate in medium transparent crystals, in a 1 kg box	
20300200	Water Ipoclor L, liquid sodium hypochlorite 13-16%, 30 kg can	
20300282	Water Polifos, liquid sodium polyphosphate, 25 kg can	
20300283	Water Polifos, liquid sodium polyphosphate, 10 kg can	







# 17.0

*Plastic fittings*

## JOHN GUEST PLASTIC FITTINGS

### PM SERIES ACETAL RESIN FITTINGS

All items are sold in the original packaging with the original quantity in the packaging.

#### STRAIGHT TERMINAL CONICAL THREAD BSP

Code	Tube Ø mm	Thread BSP	€
PM010401E	4	1/8"	
PM010402E	4	1/4"	
PM010601E	6	1/8"	
PM010602E	6	1/4"	
PM010801E	8	1/8"	
PM010802E	8	1/4"	
PM010803E	8	3/8"	
PM011002E	10	1/4"	
PM011003E	10	3/8"	
PM011004E	10	1/2"	
PM011203E	12	3/8"	
PM011204E	12	1/2"	



#### STRAIGHT TERMINAL CYLINDRICAL THREAD BSP

Code	Tube Ø mm	Thread BSP	€
PM010411E	4	1/8"	
PM010412E	4	1/4"	
PM010611E	6	1/8"	
PM010612E	6	1/4"	
PM010811E	8	1/8"	
PM010812E	8	1/4"	
PM010813E	8	3/8"	
PM011012E	10	1/4"	
PM011013E	10	3/8"	
PM011014E	10	1/2"	
PM011213E	12	3/8"	
PM011214E	12	1/2"	
PM011514E	15	1/2"	
PM011516E	15	3/4"	
PM011814E	18	1/2"	
PM012216E	22	3/4"	



## STRAIGHT INTERMEDIATE REDUCTION

Code	Tube Ø mm	Tube Ø mm	€
PM200604E	4	6	
PM200804E	4	8	
PM200806E	6	8	
PM201004E	4	10	
PM201006E	6	10	
PM201008E	8	10	
PM201208E	8	12	
PM201210E	10	12	



## ELBOW INTERMEDIATE

Code	Tube Ø mm	€
PM0304E	4	
PM0306E	6	
PM0308E	8	
PM0310E	10	
PM0312E	12	
PM0315E	15	
PM0318E	18	
PM0322E	22	
PM0328E	28	



## STRAIGHT INTERMEDIATE

Code	Tube Ø mm	€
PM0404E	4	
PM0406E	6	
PM0408E	8	
PM0410E	10	
PM0412E	12	
PM0415E	15	
PM0418E	18	
PM0422E	22	
PM0428E	28	



## INTERMEDIATE ELBOW REDUCTION

Code	Tube Ø mm	Tube Ø mm	€
PM210604E	4	6	
PM210804E	4	8	
PM210806E	6	8	
PM211004E	4	10	
PM211006E	6	10	
PM211008E	8	10	
PM211208E	8	12	
PM211210E	10	12	



17.0

Plastic fittings

## ELBOW WITH TANG

Code	Tube Ø mm	Tube Ø mm	€
PM220404E	4	4	
PM220606E	6	6	
PM220808E	8	8	
PM221010E	10	10	
PM221212E	12	12	
PM221515E	15	15	
PM221818E	18	18	
PM222222E	22	22	



## INTERMEDIATE A T

Code	Tube Ø mm	€
PM0204E	4	
PM0206E	6	
PM0208E	8	
PM0210E	10	
PM0212E	12	
PM0215E	15	
PM0218E	18	
PM0222E	22	
PM0228E	28	



## REDUCTION RATIO

Code	Shank Ø mm	Tube Ø mm	€
PM060604E	6	4	
PM060605E	6	5	
PM060804E	8	4	
PM060805E	8	5	
PM060806E	8	6	
PM061006E	10	6	
PM061008E	10	8	
PM061208E	12	8	
PM061210E	12	10	
PM061510E	15	10	
PM061512E	15	12	
PM061815E	18	15	
PM062215E	22	15	
PM062218E	22	18	



## REDUCTION TO T

Code	Side tube Ø mm	Central tube Ø mm	€
PM3018AE	18	15	
PM3022AE	22	15	



## THROUGH-HOLE

Code	Tube Ø mm	€
PM1204E	4	
PM1206E	6	
PM1208E	8	
PM1210E	10	
PM1212E	12	



## TERMINAL WITH TANG CYLINDRICAL THREAD BSP

Code	Shank Ø mm	bsp thread	€
PM050411E	4	1/8"	
PM050412E	4	1/4"	
PM050611E	6	1/8"	
PM050612E	6	1/4"	
PM050811E	8	1/8"	
PM050812E	8	1/4"	
PM050813E	8	3/8"	
PM051012E	10	1/4"	
PM051013E	10	3/8"	
PM051014E	10	1/2"	
PM051213E	12	3/8"	
PM051214E	12	1/2"	
PM051513E	15	3/8"	
PM051514E	15	1/2"	
PM051814E	18	1/2"	
PM052214E	22	1/2"	
PM052216E	22	3/4"	



## NPTF THREADED ELBOW

Code	NPTF Thread	Tube Ø mm	€
PM480621E	1/8"	6	
PM480622E	1/4"	6	
PM480623E	3/8"	6	



## TERMINAL WITH BSP CONICAL THREAD SHANK

Code	Shank Ø mm	bsp thread	€
PM050401E	4	1/8"	
PM050601E	6	1/8"	
PM050801E	8	1/8"	
PM051002E	10	1/4"	
PM051003E	10	3/8"	
PM051004E	10	1/2"	
PM051203E	12	3/8"	
PM051204E	12	1/2"	



# 17.0

Plastic fittings



## Y INTERMEDIATE

Code	Tube Ø mm	€
PM2304E	4	
RM2306E	6	
RM2308E	8	
PM2310E	10	
RM2312E	12	



## HOSE SHANK

Code	Shank Ø mm	Inner tube Ø mm	€
PM250604E	6	4	
PM250806E	8	6	
PM251008E	10	8	



## FEMALE STRAIGHT THREADED TERMINAL

Code	Shank Ø mm	Thread	€
PM450411E	4	1/8" BSP	
PM450611E	6	1/8" BSP	
PM450612E	6	1/4" BSP	
PM450812E	8	1/4" BSP	
PM450813E	8	3/8" BSP	
PM4508C5S	5/16"	1/2"-16 UNS	
PM4508F4S	5/16"	1/4" NPTF	
PM451015FE	10	5/8" BSP	



## ANGLE ELBOW

Code	Tube Ø mm	€
NC657	8	



## CAP

Code	Shank Ø mm	€
PM0804R	4	
PM0805R	5	
PM0806R	6	
PM0808R	8	
PM0810R	10	
PM0812R	12	
PM0815R	15	
PM0818R	18	
PM0822R	22	



## PI SERIES FOR INCH PIPES

All items are sold in the original packaging with the original quantity in the packaging.

### TERMINAL STRAIGHT CONICAL THREAD BSP

Code	Tube Ø mm	Thread BSP	€
PM010401S	5/32"	1/8"	
PM010402S	5/32"	1/4"	
PI010601S	3/16"	1/8"	
PI010602S	3/16"	1/4"	
PI010801S	1/4"	1/8"	
PI010802S	1/4"	1/4"	
PM010801S	5/16"	1/8"	
PM010802S	5/16"	1/4"	
PM010803S	5/16"	3/8"	
PI011202S	3/8"	1/4"	
PI011203S	3/8"	3/8"	
PI011603S	1/2"	3/8"	
PI011604S	1/2"	1/2"	



### TERMINAL STRAIGHT CYLINDRICAL THREAD BSP

Code	Tube Ø mm	Thread BSP	€
PI010812S	1/4"	1/4"	
NCPI011212S	3/8"	1/4"	
PI011212S	3/8"	1/4"	



### TERMINAL STRAIGHT THREAD NPT

Code	Tube Ø mm	NPTF THREAD	€
PI010621S	3/16"	1/8"	
PI010821S	1/4"	1/8"	
PI010822S	1/4"	1/4"	
PI010823S	1/4"	3/8"	
PI011221S	3/8"	1/8"	
PI011222S	3/8"	1/4"	
PI011223S	3/8"	3/8"	
PI011224S	3/8"	1/2"	
PI011623S	1/2"	3/8"	
PI011624S	1/2"	1/2"	
PM010421S	5/32"	1/8"	
PM010422S	5/32"	1/4"	
PM010821S	5/16"	1/8"	
PM010822S	5/16"	1/4"	
PM010823S	5/16"	3/8"	



17.0

Plastic fittings

## WHITWORTH STRAIGHT THREAD TERMINAL

Code	Tube Ø mm	Thread BSW	€
PI0106E3S	3/16"	3/8"-24	
PI0106E5S	3/16"	1/2"-24	
PI0106E6S	3/16"	9/16"-24	
PI0108E5S	1/4"	1/2"-24	
PI0108E6S	1/4"	9/16"-24	
PM0108E5S	5/16"	1/2"-24	
PM0108E6S	5/16"	9/16"-24	
PI0112E5S	3/8"	1/2"-24	
PI0112E6S	3/8"	9/16"-24	



## STRAIGHT TERMINAL AMERICAN 'FLARE' TYPE

Code	Tube Ø mm	MFL thread	€
PI0108F4S	1/4"	1/4"	
PI0112C5S	3/8"	1/2"-16	
PI0112F4S	3/8"	1/4"	
PI0112F5S	3/8"	5/16"	
PI0112F6S	3/8"	3/8"	
PI0112F8S	3/8"	1/2"	
PI0116F8S	1/2"	1/2"	
PM0108C5S	5/16"	1/2"-16	
PM0108F5S	5/16"	5/16"	



## STRAIGHT INTERMEDIATE

Code	Tube Ø mm	€
PM0404S	5/32"	
PI0406S	3/16"	
PI0408S	1/4"	
PM0408S	5/16"	
PI0412S	3/8"	
PI0416S	1/2"	



## STRAIGHT INTERMEDIATE REDUCTION

Code	Tube Ø mm	Tube Ø mm	€
PI200806S	1/4"	3/16"	
PI201006S	5/16"	3/16"	
PI201008S	5/16"	1/4"	
PI201206S	3/8"	3/16"	
PI201208S	3/8"	1/4"	
PI201210S	3/8"	5/16"	
PI201610S	1/2"	5/16"	
PI201612S	1/2"	3/8"	



## INTERMEDIATE TO ELBOW

Code	Tube Ø mm	€
PM0304S	5/32"	
PI0306S	5/16"	
PI0308S	1/4"	
PM0308S	5/16"	
PI0312S	3/8"	
PI0316S	1/2"	



## INTERMEDIATE ELBOW REDUCTION

Code	Tube Ø mm	Tube Ø mm	€
PM210804S	5/16"	5/32"	
PI211006S	5/16"	3/16"	
PI211008S	5/16"	1/4"	
PI211206S	3/8"	3/16"	
PI211208S	3/8"	1/4"	
PI211210S	3/8"	5/16"	
PI211610S	1/2"	5/16"	
PI211612S	1/2"	3/8"	



## REDUCTION TO T

Code	Side tube Ø mm	Central tube Ø mm	€
PI301208S	3/8"	3/8"	
PI301612S	1/2"	1/2"	



## ELBOW WITH TANG

Code	Tube Ø mm	Shank Ø mm	€
PI220606S	3/16"	3/16"	
PI220808S	1/4"	1/4"	
PM220808S	5/16"	5/16"	
PI221206S	3/16"	3/8"	
PI221208S	1/4"	3/8"	
PI221210S	3/16"	3/8"	
PI221212S	3/8"	3/8"	
PI221616S	1/2"	1/2"	



## THREADED ELBOW

Code	Tube Ø mm	NPTF Thread	€
PI480821S	1/4"	1/8"	
PI480822S	1/4"	1/4"	
PI480823S	1/4"	3/8"	
PI481022S	5/16"	1/4"	
PI481023S	5/16"	3/8"	
PI481222S	3/8"	1/4"	
PI481223S	3/8"	3/8"	
PI482024S	3/8"	3/8"	



# 17.0

Plastic fittings

## INTERMEDIATE T

Code	Tube Ø mm	€
PM0204S	5/32"	
PI0206S	3/16"	
PI0208S	1/4"	
PM0208S	5/16"	
PI0212S	3/8"	
PI0216S	1/2"	



## STRAIGHT TERMINAL FEMALE CYLINDRICAL THREAD FLAT END

Code	Tube Ø mm	Thread BSP	€
PI451014FS	5/16"	1/2"	
PI451015FS	5/16"	5/8"	
PI451213S	3/8"	3/8"	
PI451214FS	3/8"	1/2"	
PI451215FS	3/8"	5/8"	
PI451613S	1/2"	3/8"	
PI451615FS	1/2"	5/8"	



## STRAIGHT TERMINAL FEMALE CYLINDRICAL THREAD CONE END

Code	Tube Ø mm	Thread BSP	€
PI451014CS	5/16"	1/2"	
PI451015CS	5/16"	5/8"	
PI451214CS	3/8"	1/2"	
PI451215CS	3/8"	5/8"	



## STRAIGHT TERMINAL THREAD BRITISH WHITWORTH

Code	Tube Ø mm	Thread BSW	€
PI4512E6S	3/8"	9/16"-24	
PM4508E5S	5/16"	1/2"-24	



## STRAIGHT FEMALE TERMINAL UNS THREAD

Code	Tube Ø mm	UNS Thread	€
PI4512C5S	3/8"	1/2"-16	
PI4516C5S	1/2"	1/2"-16	



## STRAIGHT TERMINAL FEMALE THREAD NPTF

Code	Tube Ø mm	UNS Thread	€
PI450822S	1/4"	1/4"	
PI451222S	3/8"	1/4"	



## STRAIGHT FEMALE AMERICAN 'FLARE' TERMINAL

Code	Tube Ø mm	UNS Thread	€
PI4512F4S	3/8"	1/4"	
PI4512F6S	3/8"	3/8"	



## BSP STRAIGHT FEMALE TERMINAL

Code	Tube Ø mm	UNS Thread	€
CI320814S	1/4"	1/2"	
CI321214S	3/8"	1/2"	



## UNS STRAIGHT THREAD TERMINAL

Code	Tube Ø mm	UNS Thread	€
CI3208U7S	1/4"	7/16"-24	
CI3210U7S	6	7/16"-24	
CI3212U7S	3/8"	7/16"-24	



## 3-WAY INTERMEDIATE

Code	Inlet pipe	Outlet pipes	€
PI491612S	1/2"	3/8"	



## INTERMEDIATE Y

Code	Tube Ø mm	€
PM2308S	5/16"	
PI2312S	3/8"	



## REDUCED Y INTERMEDIATE

Code	Inlet pipe	Outlet pipes	€
PI241210S	3/8"	5/16"	



## YOU WILL PASS

Code	Tube Ø mm	€
PM1204S	5/32"	
PI1206S	3/16"	
PI1208S	1/4"	
PM1208S	5/16"	
PI1212S	3/8"	
PI1216S	1/2"	



## PASS REDUCED

Code	Tube Ø mm	Tube Ø mm	€
PI121208S	1/4"	3/8"	



# 17.0

Plastic fittings



## TERMINAL WITH BSPT THREAD TANG

Code	Shank Ø	BSP thread	€
PM050401S	5/32"	1/8"	
PM050402S	5/32"	1/4"	
PI050601S	3/16"	1/8"	
PI050801S	1/4"	1/8"	
PI050802S	1/4"	1/4"	
PM050801S	5/16"	1/8"	
PM050802S	5/16"	1/4"	
PM050803S	5/16"	3/8"	
PI051202S	3/8"	1/4"	
PI051203S	3/8"	3/8"	
PI051603S	1/2"	3/8"	
PI051604S	1/2"	1/2"	



## TERMINAL WITH BSP THREAD SHANK

Code	Shank Ø	BSP thread	€
PI051212S	3/8"	1/4"	
PI051213S	3/8"	3/8"	
PM050812S	5/16"	1/4"	



## TERMINAL WITH NPT THREAD SHANK

Code	NPTF Thread	Shank Ø	€
PM050821S	1/8"	5/16"	
PM050421S	1/8"	5/32"	
PI050621S	1/8"	3/16"	
PI050821S	1/8"	1/4"	
PI050822S	1/4"	1/4"	
PM050422S	1/4"	5/32"	
PI051222S	1/4"	3/8"	
PM050822S	1/4"	5/16"	
PI050823S	3/8"	1/4"	
PI051223S	3/8"	3/8"	
PI051623S	3/8"	1/2"	
PM050823S	3/8"	5/16"	
PI051624S	1/2"	1/2"	



## TERMINAL WITH WHITWORTH THREAD SHANK

Code	Shank Ø	MLF thread	€
PI0508E5S	1/4"	.1/2"-24	
PI0508E6S	1/4"	9/16"-24	
PM0508E5S	5/16"	.1/2"-24	
PM0508E6S	5/16"	9/16"-24	
PI0512E5S	3/8"	.1/2"-24	
PI0512E6S	3/8"	9/16"-24	



## HOSE CONNECTOR WITH TANG

Code	Shank Ø	Inner tube Ø	€
PI250806S	1/4"	3/16"	
PI250808S	1/4"	1/4"	
PI250810S	1/4"	5/16"	
PI251006S	5/16"	3/16"	
PI251008S	5/16"	1/4"	
PI251012S	5/16"	3/8"	
PM250808S	5/16"	5/16"	
PI251208S	3/8"	1/4"	
PI251210S	3/8"	5/16"	
PI251212S	3/8"	3/8"	
PI251216S	3/8"	1/2"	
PI251612S	1/2"	3/8"	
PI251616S	1/2"	1/2"	



## HOSE ELBOW WITH TANG

Code	Pipe Ø	Shank Ø	€
PM290808S	5/16"	5/16"	
PI290810S	5/16"	1/4"	
PI291210S	5/16"	3/8"	
PI291008S	1/4"	5/16"	
PI290808S	1/4"	1/4"	
PI291208S	1/4"	3/8"	



## SMALL-TO-LARGE REDUCTION

Code	Pipe Ø	Shank Ø	€
PI131012S	3/8"	5/16"	



## SHANK REDUCTION

Code	Shank Ø	Inner tube Ø	€
PI060605S	5/32"	3/16"	
PI061006S	3/16"	5/16"	
PI061008S	1/4"	5/16"	
PI061206S	3/16"	3/8"	
PI061208S	1/4"	3/8"	
PI061210S	5/16"	3/8"	
PI061610S	5/16"	1/2"	
PI061612S	3/8"	1/2"	



## INTERMEDIATE CROSS

Code	Pipe Ø	€
PI4712S	3/8"	



## ELBOW FOR DISPENSING VALVES

Code	Pipe Ø	€
NC356-02	3/8"	



## SHANK FOR DISPENSING VALVES

Code	Shank Ø	€
NC730-02	3/8"	



## FOLD Ø40

Code	Tube Ø mm	Tube Ø mm	€
NC641	1/2"	5/16"	



## U-BEND

Code	Pipe Ø	€
PIUB12S	3/8"	
PIUB16S	1/2"	



## CAP

Code	Pipe Ø	€
PM0804S	5/32"	
PI0806S	3/16"	
PI0808S	1/4"	
PM0808S	5/16"	
PI0812S	3/8"	
PI0816S	1/2"	



## BLIND TERMINAL

Code	Pipe Ø	€
PI4608S	1/4"	
PI4612S	3/8"	



## ADJUSTMENT

All items are sold in the original packaging with the original quantity in the packaging.

### FLOW REGULATOR

Code	Pipe Ø	Thread	€
BFC360611E	6 mm	1/8"	



### FLOW REGULATOR WITH KNOB

Code	Pipe Ø	Thread	€
CFM360411E	4 mm	1/8"	
CFM360611E	6 mm	1/8"	
CFM360612E	6 mm	1/4"	
CFM360812E	8 mm	1/4"	



17.0

Plastic fittings

# ACCESSORIES

All items are sold in the original packaging with the original quantity in the packaging.

## ADAPTERS

Code	Description	Pipe Ø	€
NC688	3/4" Female	1/4 Female	
AFAN1009FM	3/4" Female	10	
ASV11	Shut-off valve A T 3/8 x 3/8 BSP pipe 5/16	5/16"	
ASV7	Shut-off valve A T 3/8 x 3/8 BSP	3/8"	
ASV9	Shut-off valve A T 1/4 x 3/8 BSP	1/4"	



## INTERMEDIATE BALL

Code	Description	€
PPMSV040606W	Intermediate ball valve for potable water pipe 6 mm	
PPMSV040808W	Intermediate ball valve for potable water pipe 8 mm	
PPMSV041010W	Intermediate ball valve for potable water pipe 10 mm	
PPSV040808W	Intermediate ball valve for drinking water 1/4" pipe	
PPSV041212W	Intermediate ball valve for potable water pipe 3/8"	



## BACK-PRESSURE VALVE, CHECK VALVE, ORIFICE VALVE, NON-RETURN VALVE

Code	Description	€
1/4SCV	1/4"	
5/16SCV	5/16"	
3/8SCV	3/8"	
6SCV	6	



## PIPE BEND

Code	Description	€
PM2608S	8	
PM2610S	10	



## COLLAR SPANNER SET

Code	Description	€
ICLT/2		



## TWEEZER CLIP

SOLD IN PACKS OF 100 PCS

Code	Description	€
PM1804R	4	
PM1806R	6	
PM1808R	8	
PM1810R	10	
PIC1808R	1/4"	
PIC1812R	3/8"	



## NECK COVER

Code	Description	€
PM1904E	4 mm	
PM1905E	5 mm	
PM1906E	6 mm	
PM1908E	8 mm	
PM1910E	10 mm	
PM1912E	12 mm	



## TUBE INSERT

Code	Description	Outer tube Ø	€
TSI250S	1/4"	5/16"	
TSI312S	5/16"	3/8"	
TSI375S	3/8"	1/2"	

## PIPE CUTTER

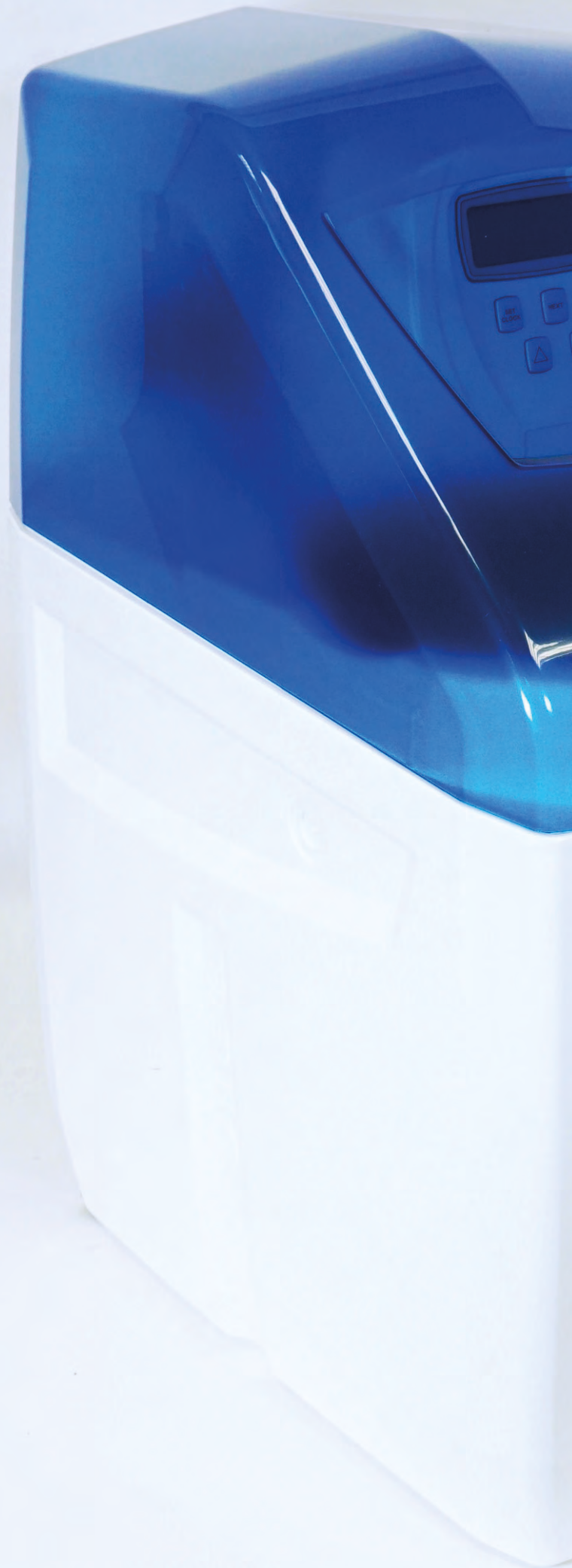
Code	Description	€
JG-TS	Pipe cutter up to 22 mm	
TSNIP	Pipe cutter up to 12 mm	



17.0

Plastic fittings







**18.0**

***Softeners and column  
filters in pre-assembled  
kits***

# CABINET SOFTENERS AUTOMATIC AROMA

## AUTOMATIC CABINET SOFTENERS AROMA BLACK

Code	Description	€
01WLA0713	AROMA 25 BLACK - Volume-Time Aroma Softener F69	
01WLA0717	AROMA 35 BLACK - Softener Aroma Volume-Time F69	
0100215	AROMA 55 BLACK - Softener Aroma Volume-Time F69	

### OVERALL DIMENSIONS

Code	L mm	P mm	H mm
01WLA0713	460	210	490
01WLA0717	460	210	590
0100215	530	340	590



## AROMA WHITE AUTOMATIC CABINET SOFTENERS

Code	Description	€
01WLA0713A	AROMA 25 WHITE - Aroma Softener Volume-Time F79	
01WLA0717A	AROMA 35 WHITE - Volume-Time Softener F79	
0100216	AROMA 55 WHITE - Volume-Time Softener F79	

### OVERALL DIMENSIONS

Code	L mm	P mm	H mm
01WLA0713A	430	210	510
01WLA0717A	430	210	560
0100216	545	320	610



18.0

Column softeners and filters in pre-assembled kits



# CABINET VOLUME SOFTENERS WITH CANATURE VALVE

## CABINET VOLUME SOFTENERS WITH CANATURE VALVE CS8H

Code	Description	€
01CS8H0713	Autonomous softener CS8H volumeBNT85 1" 5 l	
01CS8H0722	Automatic softener CS8H volumeBNT85 1" 9 l	
01CS8H0735	Autonomous softener CS8H volumeBNT85 1" 15 l	



### OVERALL DIMENSIONS

Code	L mm	P mm	H mm
01CS8H0713	200	360	490
01CS8H0722	200	360	700
01CS8H0735	200	360	1060

## CABINET VOLUME SOFTENERS WITH VALVE CANATURE CS6H

Code	Description	€
01CS6H0817	Autonomous softener CS6H volumeBNT865 1" 8 l	
01CS6H1017	Autonomous softener CS6H volumeBNT865 1" 12 l	
01CS6H1026	Autonomous softener CS6H volumeBNT865 1" 20 l	
01CS6H0835	Autonomous softener CS6H volumeBNT865 1" 20 l	
01CS6H1035	Autonomous softener CS6H volumeBNT865 1" 25 l	



### OVERALL DIMENSIONS

Code	L mm	P mm	H mm
01CS6H0817	335	505	575
01CS6H1017	335	505	575
01CS6H1026	335	505	810
01CS6H0835	335	505	1035
01CS6H1035	335	505	1035

## CABINET VOLUME SOFTENERS WITH VALVE CANATURE CS10H

Code	Description	€
01CS10H0817	Softener aut.CS10H volume slide CANATURE BNT865 1" 8 l	
01CS10H1017	Softener aut.CS10H slide by volume CANATURE BNT865 1" 12 l	
01CS10H0835	Softener aut.CS10H volume slide CANATURE BNT865 1" 20 l	
01CS10H1035	Softener aut.CS10H volume slide CANATURE BNT865 1" 25 l	



### OVERALL DIMENSIONS

Code	L mm	P mm	H mm
01CS10H0817	350	500	660
01CS10H1017	350	500	660
01CS10H0835	350	500	1110
01CS10H1035	350	500	1110

## DOUBLE-BODY VOLUME SOFTENERS WITH VALVE CANATURE

Code	Description	€
0100341	Automatic volumetric softener CAN185 1" 15 l d.b.	
0100841	Automatic volumetric softener CAN185 1" 20 l d.b.	
0100941	Automatic volumetric softener CAN185 1" 25 l d.b.	
0101141	Automatic volumetric softener CAN185 1" 50 l d.b.	
0101241	Automatic volumetric softener CAN185 1" 75 l d.b.	

18.0

Column softeners and filters in pre-assembled kits

## CABINED VOLUME SOFTENERS WITH RUNIN VALVE

Code	Description	€
01RA1000H	Automatic softener cabinet mini RA RX F79B-LCD/F70DL 12.5 l	
01RA1500H	Automatic softener cab maxi RA RX F79B-LCD/F70DL 28 l	

Code	Description	€
0100213	Automatic volume softener RUNXIN F79 3/4" 15 l CAB MAXI EU	
0100312	Automatic volume softener RUNXIN F79 3/4" 20 l CAB MAXI EU	
0100412	Automatic volume softener RUNXIN F79 3/4" 25 l. CAB MAXI EU	
0100512	Automatic volume softener RUNXIN F79 1" 25 l. CAB MAXI EU	

### OVERALL DIMENSIONS

Code	L mm	P mm	H mm
0100213	320	480	1120
0100312	320	480	1120
0100412	320	480	1120
0100512	320	480	1120



## CABINET VOLUME SOFTENERS WITH CLACK VALVE

### TEMPERATURE CABINED SOFTENERS WITH CLACK VALVE TC

Code	Description	€
0100146	Automatic time softener CT 1" 4lt CAB BINGO	
0100145	Automatic time softener CT 1" 4lt CAB UNDER	
0100285	Automatic time-lapse softener CT 1" 8lt CAB MINI EU	
0100385	Automatic timed softener CT 1" 15 l. CAB MAXI EU	
0100485	Automatic timed softener CT 1" 20 l. CAB MAXI EU	
0100585	Automatic timed softener CT 1" 25 l. CAB MAXI EU	
0103585BA	Automatic timed softener CT 1" 30 l CAB. MAXI PEARL WHITE BLUE	



### CABINED VOLUME SOFTENERS WITH CLACK VALVE CI

Code	Description	€
0100141	Automatic volume softener CV 1" 4lt CAB. BINGO	
0100140	Automatic volume softener CV 1" 4lt CAB. UNDER	
0100290	Automatic volume softener CV 1" 8 l CAB MINI EU	
0100390	Automatic volume softener CV 1" 15 l. CAB MAXI EU	
0100490	Automatic volume softener CV 1" 20 l. CAB MAXI EU	
0100590	Automatic volume softener CV 1" 25 l. CAB MAXI EU	
0103590BA	Automatic softener volume CV 1" 30 l CAB. MAXI PEARL WHITE BLUE	



18.0

Column softeners and filters in pre-assembled kits

## CABINED VOLUME SOFTENERS ECO PRO UF WITH CLACK VALVE CM

Code	Description	€
0100290CM/2	Automatic volumetric softener ECO PRO UF CM 3/4" 10 l. CAB MINI CVS	
0100291CM/2	Automatic volumetric softener ECO PRO UF CM 3/4" 15 l. CAB MINI CVS	
0100390CM/2	Automatic volumetric softener ECO PRO UF CM 3/4" 15 l. CAB MAXI CVS	
0100490CM/2	Automatic volumetric softener ECO PRO UF CM 3/4" 20 l. CAB MAXI CVS	
0100590CM/2	Automatic volumetric softener ECO PRO UF CM 3/4" 25 l. CAB MAXI CVS	
0103590CM/2	Automatic volumetric softener ECO PRO UF CM 3/4" 30 l. CAB MAXI CVS	
0103591CM/2	Automatic volumetric softener ECO PRO UF CM 3/4" 40 l. CAB MAXI CVS	



## DOUBLE-BODY SOFTENERS WITH CLACK VALVE TC (ON REQUEST AVAILABLE WITH CM VALVE)

Code	Description	€
0100685	Automatic time softener CT 1" 8 l d.c.	
0100785	Automatic time softener CT 1" 15 l d.c.	
0100885	Automatic time softener CT 1" 20 l d.c.	
0100985	Automatic time softener CT 1" 25 l d.c.	
0101085	Automatic time softener CT 1" 40 l d.c.	
0101185	Automatic time softener CT 1" 50 l d.c.	
0101285	Automatic time softener CT 1" 75 l d.c.	
0101425	Automatic time softener CT 1" 100 l d.c.	
0101435	Automatic timed softener CT 1"1/2 100 l d.c.	
0101436	Automatic timed softener CT PLT 1"1/2 100 l d.c.	
0101525	Automatic time softener CT 1" 125 l d.c.	
0101625	Automatic time softener CT 1" 150 l d.c.	
0101825	Automatic time softener CT 1" 200 l d.c.	
0101535	Automatic timed softener CT 1"1/2 125 l d.c.	
0101536	Automatic timed softener CT PLT 1"1/2 125 l d.c.	
0101635	Automatic timed softener CT 1"1/2 150 l d.c.	
0101636	Automatic timed softener CT PLT 1"1/2 150 l d.c.	
0101835	Automatic timed softener CT 1"1/2 200 l d.c.	
0101837	Automatic timed softener CT PLT 1"1/2 200 l d.c.	
0101836	Automatic time softener CT 2" 200 l d.c.	
0101935	Automatic timed softener CT 1"1/2 300 l d.c.	
0101937	Automatic time-lapse softener CT PLT 1"1/2 300 l d.c.	
0101936	Automatic time softener CT 2" 300 l d.c.	
0102035	Automatic timed softener CT 1"1/2 450 l d.c.	
0102038	Automatic timed softener CT PLT 1"1/2 450 l d.c.	
0102036	Automatic time softener CT 2" 450 l d.c.	



# 18.0

Column softeners and filters in pre-assembled kits



## DOUBLE-BODY VOLUME SOFTENERS WITH CLACK CI VALVE (OPTIONALLY AVAILABLE WITH CM VALVE)

Code	Description	€
0100690	Automatic volume softener CV 1" 8lt d.c.	
0100790	Automatic volume softener CV 1" 15 l d.c.	
0100890	Automatic volume softener CV 1" 20 l d.c.	
0100990	Automatic volume softener CV 1" 25lt d.c.	
0101090	Automatic volume softener CV 1" 40 l d.c.	
0101190	Automatic volume softener CV 1" 50 l d.c.	
0101290	Automatic volume softener CV 1" 75 l d.c.	
0101291	Automatic volume softener CV 1"1/4 75 l d.c.	
0101430	Automatic volume softener CV 1" 100 l d.c.	
0101431	Automatic volume softener CV 1"1/4 100 l d.c.	
0101440	Automatic volume softener CV 1"1/2 100 l d.c.	
0101441	Automatic volume softener CV PLT 1"1/2 100 l d.c.	
0101530	Automatic volume softener CV 1" 125 l d.c.	
0101531	Automatic volume softener CV 1"1/4 125 l d.c.	
0101540	Automatic volume softener CV 1"1/2 125 l d.c.	
0101541	Automatic volume softener CV PLT 1"1/2 125 l d.c.	
0101630	Automatic volume softener CV 1" 150 l d.c.	
0101631	Automatic volume softener CV 1"1/4 150 l d.c.	
0101640	Automatic volume softener CV 1"1/2 150 l d.c.	
0101641	Automatic volume softener CV PLT 1"1/2 150 l d.c.	
0101830	Automatic volume softener CV 1" 200 l d.c.	
0101831	Automatic volume softener CV 1"1/4 200 l d.c.	
0101840	Automatic volume softener CV 1"1/2 200 l d.c.	
0101842	Automatic volume softener CV PLT 1"1/2 200 l d.c.	
0101860	Automatic volume softener CV 2" 200 l d.c.	
0101940	Automatic volume softener CV 1"1/2 300 l d.c.	
0101942	Automatic volume softener CV PLT 1"1/2 300 l d.c.	
0101941	Automatic volume softener CV 2" 300 l d.c.	
0102040	Automatic volume softener CV 1"1/2 450 l d.c.	
0102042	Automatic volume softener CV PLT 1"1/2 450 l d.c.	
0102041	Automatic volume softener CV 2" 450 l d.c.	



## DUPLEX SOFTENERS WITH CLACK VALVE VTT1 CI TWIN

Code	Description	€
0102204	Duplex automatic softener CD TWIN 1"25 l	
0102214	Duplex automatic softener CD TWIN 1" 40 l	
0102218	Duplex automatic softener CD TWIN 1"50 l	
0102224	Duplex automatic softener CD TWIN 1"75 l	
0102234	Duplex automatic softener CD TWIN 1"100 l	
0102244	Duplex automatic softener CD TWIN 1"125 l	
0102314	Duplex automatic softener CD TWIN 1"150 l	
0102334	Duplex automatic softener CD TWIN 1"200 l	



# CABINET VOLUME SOFTENERS WITH VALVE FLECK

## TEMPERATURE CABINET SOFTENERS WITH VALVE FLECK

Code	Description	€
0100110	Automatic time softener FT SXT 1" 4lt CAB.MICRO WL	
0100202	Automatic time softener FT SXT 1" 8lt CAB MINI EU	
0100302	Automatic time-lapse softener FT SXT 1" 15 l CAB MAXI EU	
0100402	Automatic time-lapse softener FT SXT 1" 20 l CAB MAXI EU	
0100502	Automatic time-lapse softener FT SXT 1" 25 l CAB.M AXI EU	
0103502BA	Automatic time-lapse softener FT SXT 1" 30 l CAB. MAXI PEARL WHITE BLUE	



## CABINET VOLUME SOFTENERS WITH VALVE FLECK

Code	Description	€
0100111	Automatic volume softener FV SXT 1" 4lt CAB. MICRO WL	
0100232	Automatic volume softener FV SXT 1" 8lt CAB. MINI EU	
0100332	Automatic volume softener FV SXT 1" 15 l CAB MAXI EU	
0100432	Automatic volume softener FV SXT 1" 20 l CAB MAXI EU	
0100532	Automatic volume softener FV SXT 1" 25 l CAB MAXI EU	
0103532BA	Automatic volume softener FV SXT 1" 30 l CAB. MAXI PEARL WHITE BLUE	



## TIMED DOUBLE BODY SOFTENER WITH FLECK VALVE

Code	Description	€
0100602	Automatic time softener FT SXT 1" 8 l d.c.	
0100702	Automatic time softener FT SXT 1" 15 l d.c.	
0100802	Automatic time-lapse softener FT SXT 1" 20 l d.c.	
0100902	Automatic time softener FT SXT 1" 25lt d.c.	
0101002	Automatic time-lapse softener FT SXT 1" 40 l d.c.	
0101102	Automatic time softener FT SXT 1" 50 l d.c.	
0101202	Automatic time softener FT SXT 1" 75 l d.c.	
0101407	Automatic timed softener FT SXT 1"1/2 100 l d.c.	
0101507	Automatic timed softener FT SXT 1"1/2 125 l d.c.	
0101607	Automatic time-controlled softener FT SXT 1"1/2 150 l d.c.	
0101807	Automatic timed softener FT SXT 1"1/2 200 l d.c.	
0101822	Automatic time-lapse softener FT SXT 2" 200 l d.c.	
0101902	Automatic time-lapse softener FT SXT 1"1/2 300 l d.c.	
0101922	Automatic time-lapse softener FT SXT 2" 300 l d.c.	
0102002	Automatic time-lapse softener FT SXT 1"1/2 450 l d.c.	
0102022	Automatic time softener FT SXT 2" 450 l d.c.	



18.0

Column softeners and filters in pre-assembled kits

## DOUBLE-BODY VOLUME SOFTENERS WITH VALVE FLECK

Code	Description	€
0100632	Automatic volume softener FV SXT 1" 8 l d.c.	
0100732	Automatic volume softener FV SXT 1" 15 l d.c.	
0100832	Automatic volume softener FV SXT 1" 20 l d.c.	
0100932	Automatic volume softener FV SXT 1" 25 l d.c.	
0101032	Automatic volume softener FV SXT 1" 40lt d.c.	
0101132	Automatic volume softener FV SXT 1" 50 l d.c.	
0101232	Automatic volume softener FV SXT 1" 75 l d.c.	
0101417	Automatic volume softener FV SXT 1"1/2 100 l d.c.	
0101517	Automatic volume softener FV SXT 1"1/2 125 l d.c.	
0101617	Automatic volume softener FV SXT 1"1/2 150 l d.c.	
0101817	Automatic volume softener FV SXT 1"1/2 200 l d.c.	
0101852	Automatic volume softener FV SXT 2" 200 l d.c.	
0101912	Automatic volume softener FV SXT 1"1/2 300 l d.c.	
0101952	Automatic volume softener FV SXT 2" 300 l d.c.	
0102012	Automatic volume softener FV SXT 1"1/2 450 l d.c.	
0102052	Automatic volume softener FV SXT 2" 450 l d.c.	



## ELECTRONIC DUPLEX SOFTENERS WITH VALVE FLECK

Code	Description	€
0102202	Automatic duplex softener FD SXT 1" 25 l	
0102212	Automatic duplex softener FD SXT 1" 40 l	
0102217	Automatic duplex softener FD SXT 1" 50 l	
0102222	Automatic duplex softener FD SXT 1" 75 l	
0102232	Automatic duplex softener FD SXT 1" 100 l	
0102242	Automatic duplex softener FD SXT 1" 125 l	
0102317	Automatic duplex softener FD SXT 1"1/2 100 l	
0102302	Automatic duplex softener FD SXT 1"1/2 125 l	
0102312	Automatic duplex softener FD SXT 1"1/2 150 l	
0102332	Automatic duplex softener FD SXT 1"1/2 200 l	
0102342	Automatic duplex softener FD SXT 1"1/2 300 l	



18.0

Column softeners and filters in pre-assembled kits

# CABINET VOLUME SOFTENERS WITH AUTOTROL VALVE

## TIME CONTROLLED SOFTENERS WITH AUTOTROL LOGIX 740 VALVE

Code	Description	€
0100131	ATL 1" 4 l automatic time softener CAB. UNDER	
0100271	ATL 1" 8 l automatic time softener CAB. MINI EU	
0100371	ATL 1"15 l automatic time softener CAB. MAXI EU	
0100471	ATL 1" 20 l automatic time softener CAB. MAXI EU	
0100571	ATL 1" 25 l automatic time softener CAB. MAXI EU	
0103571BA	Automatic timed softener ATL 1" 30 l CAB. MAXI PEARL WHITE BLUE	



## CABINET VOLUME SOFTENERS WITH VALVE AUTOTROL LOGIX 760

Code	Description	€
0100121	Automatic volume softener AVL 1" 4lt. CAB UNDER	
0100281	Automatic volume softener AVL 1" 8 l CAB MINI EU	
0100381	Automatic volume softener AVL 1" 15 l CAB MAXI EU	
0100481	Automatic volume softener AVL 1" 20 l CAB MAXI EU	
0100581	Automatic volume softener AVL 1' 25 l. CAB MAXI EU	
0103581BA	Automatic volume softener AVL 1" 30 l CAB. MAXI PEARL WHITE BLUE	



## TIME-CONTROLLED DOUBLE BODY SOFTENER WITH AUTOTROL LOGIX 760 VALVE

Code	Description	€
0100671	ATL 1" 8 l d.c. automatic time softener	
0100771	ATL 1" 15 l d.c. automatic time softener	
0100871	ATL 1" 20 l d.c. automatic time softener	
0100971	ATL 1" 25 l d.c. automatic time softener	
0101071	ATL 1" 40 l d.c. automatic time softener	
0101171	ATL 1" 50 l d.c. automatic time softener	
0101271	ATL automatic time softener 1" 75 l d.c.	



## DOUBLE VOLUME SOFTENER WITH AUTOTROL LOGIX 760 VALVE

Code	Description	€
0100681	Automatic volume softener AVL 1" 8 l d.c.	
0100781	Automatic volume softener AVL 1" 15 l d.c.	
0100881	Automatic volume softener AVL 1" 20 l d.c.	
0100981	Automatic volume softener AVL 1" 25lt d.c.	
0101081	Automatic volume softener AVL 1" 40 l d.c.	
0101181	Automatic softener with volumAVL 1" 50 l d.c.	
0101281	Automatic volume softener AVL 1" 75 l d.c.	



18.0

Column softeners and filters in pre-assembled kits

# FILTRATION - DECHLORINATION - DEFERRIZATION

## MANUAL GRANULAR ACTIVATED CARBON FILTERS

Code	Description	Ø	H	€
FCM16000	CRB 1" 20 T manual	260	1090	
FCM16010	CRB 1" 25 T manual	260	1550	
FCM16020	CRB 1" 30 T manual	350	1550	

## MANUAL SAND FILTERS

Code	Description	Ø	H	€
FQ150200	MST 1" 20 T manual	260	1090	
FQ150210	MST 1" 25 T manual	260	1550	
FQ150220	MST 1" 30 T manual	350	1550	

## AUTOMATIC GRANULAR ACTIVATED CARBON FILTERS

Code	Description	Ø	H	€
FCA17000	CRB 1" 20 automatic	260	1090	
FCA17010	CRB 1" 25 automatic	260	1550	
FCA17020	CRB 1" 30 automatic	350	1550	
FCA17030	CRB 1" 35 automatic	370	1920	
FCA17040	CRB 1" 40 automatic	420	1920	
FCA17045	CRB 1" 1/2 45 automatic	560	1920	
FCA17050	CRB 1" 1/2 50 automatic	560	1920	
FCA17060	CRB 1" 1/2 60 automatic	620	2050	
FCA17046	CRB 1" 1/2 PLT 45 automatic	560	1920	
FCA17051	CRB 1" 1/2 PLT 50 automatic	560	1920	
FCA17061	CRB 1" 1/2 PLT 60 automatic	620	2050	
FCA17070	CRB 2" 80 automatic	800	2300	

## AUTOMATIC SAND FILTERS

Code	Description	Ø	H	€
FQA15000	MST 1" - 20 automatic	260	1090	
FQA15010	MST 1" - 25 automatic	260	1550	
FQA15020	MST 1" - 30 automatic	350	1550	
FQA15030	MST 1" - 35 automatic	370	1920	
FQA15040	MST 1" - 40 automatic	420	1920	
FQA15045	MST 1" 1/2 - 45 automatic	500	1920	
FQA15050	MST 1" 1/2 - 50 automatic	560	1920	
FQA15060	MST 1" 1/2 - 60 automatic	620	2050	
FQA15046	MST 1" 1/2 PLT - 45 automatic	500	1920	
FQA15051	MST 1" 1/2 PLT - 50 automatic	560	1920	
FQA15061	MST 1" 1/2 PLT - 60 automatic	620	2050	
FQA15070	MST 2" - 80 automatic	800	2300	



18.0

Column softeners and filters in pre-assembled kits

## IRON REMOVAL FILTERS IN BIRM

Code	Description	Ø	H	€
FBR19000	FBR 1" 20 automatic	260	1090	
FBR19010	FBR 1" 25 automatic	260	1550	
FBR19020	FBR 1" 30 automatic	350	1550	
FBR19030	FBR 1" 35 automatic	370	1920	
FBR19040	FBR 1" 40 automatic	420	1920	
FBR19050	FBR 1" 45 automatic	500	1920	
FBR19060	FBR 1" 1/2 45 automatic	500	2000	

## ZEOLITE DEFERRIZATION FILTERS

Code	Description	Ø	H	€
FZA18000	FZA 1" 20 automatic	260	1320	
FZA18010	FZA 1" 25 automatic	260	1550	
FZA18020	FZA 1" 30 automatic	350	1550	
FZA18030	FZA 1" 35 automatic	370	1920	
FZA18040	FZA 1" 40 automatic	420	1920	
FZA18045	FZA 1" 45 automatic	500	1920	
FZA18050	FZA 1" 1/2 50 automatic	560	1920	
FZA18060	FZA 1" 1/2 60 automatic	620	2050	
FZA18080	FZA 2" 80 automatic	800	2300	



# 18.0

Column softeners and filters in pre-assembled kits



# STANDARD CABIN CRUISERS

## BINGO

**OVERALL DIMENSIONS VALVE EXCLUDED**

L mm	P mm	H mm
280	485	355



## UNDER

**OVERALL DIMENSIONS VALVE EXCLUDED**

L mm	P mm	H mm
225	435	355



## MICRO

**OVERALL DIMENSIONS VALVE EXCLUDED**

L mm	P mm	H mm
200	360	365



## MINI EU

Can be used with CLACK, RUNXIN, FLECK and AUTOTROL valves.

**OVERALL DIMENSIONS VALVE EXCLUDED**

L mm	P mm	H mm
320	480	655



## MAXI EU

Can be used with CLACK, RUNXIN, FLECK and AUTOTROL valves.

**OVERALL DIMENSIONS VALVE EXCLUDED**

L mm	P mm	H mm
320	480	1120



## OPTIONAL CABIN CRUISERS

### PEARL

Can be used with CLACK, RUNXIN, FLECK and AUTOTROL valves.

#### MINI-SIZE FOOTPRINT

Code	L mm	P mm	H mm	€
/BA	340	525	660	

#### MAXI-SIMBING DIMENSIONS

Code	L mm	P mm	H mm	€
/BA	340	525	1125	



### WL10

Can be used with CLACK, RUNXIN and FLECK valves.

#### MINI-SIZE FOOTPRINT

Code	L mm	P mm	H mm	€
/10	350	500	660	

#### MAXI-SIMBING DIMENSIONS

Code	L mm	P mm	H mm	€
/10	350	500	1100	



### CLACK CWS

Can be used with CLACK, RUNXIN and FLECK valves.

#### MINI-SIZE FOOTPRINT

Code	L mm	P mm	H mm	€
/2	350	520	705	

#### MAXI-SIMBING DIMENSIONS

Code	L mm	P mm	H mm	€
/10	350	520	1130	



# 18.0

Column softeners and filters in pre-assembled kits

# TECHNICAL TABLES

## TECHNICAL CHARACTERISTICS SOFTENERS

Litres of resin	Maximum flow rate instantaneous m <sup>3</sup> /h	Exchange capacity of resin	Cycle capacity per °F	Salt consumption per regeneration @ 150 gr/l (kg)	Sample cycle con 35°F (m <sup>3</sup> )
4	0.16	5,5	22	0.64	0.63
8	0.32	5,5	44	1.28	1.26
15	0,6	5,5	82.5	2,4	2.36
20	0.8	5,5	11	3,2	3,14
25	1	5,5	137,5	4	3,93
30	1.2	5,5	165	4,8	4,71
40	1.6	5,5	220	6,4	6,29
50	2	5,5	275	8	6
75	3	5,5	412,5	12	11,79
100	4	5,5	55	16	15,71
125	5	5,5	6	20	6
150	6	5,5	825	24	23,57
200	8	5,5	1100	32	31,43
300	12	5,5	1650	48	47,14
450	18	5,5	2475	72	70,71

## DIMENSIONS SINGLE DOUBLE-BODY SOFTENERS

8 l	Softener Ø 20 cm, total height 65 cm
	Salt vat Ø 34 cm, height 45 cm, 40 l
15 l	Softener Ø 20 cm, total height 110 cm
	Salt vat Ø 34 cm, height 89 cm, 75 l
20 l	Softener Ø 20 cm, total height 110 cm
	Salt vat Ø 34 cm, height 89 cm, 75 l
25 l	Softener Ø 25 cm, total height 110 cm
	Salt vat Ø 34 cm, height 89 cm, 75 l
40 l	Softener Ø 25 cm, total height 140 cm
	Salt vat Ø 34 cm, height 89 cm, 75 l
50 l	Softener Ø 25 cm, total height 160 cm
	Salt vat Ø 53 cm, height 75 cm, 150 l
75 l	Softener Ø 35 cm, total height 160 cm
	Salt vat Ø 53 cm, height 75 cm, 150 l
100 l	Softener Ø 36 cm, total height 190 cm
	Salt vat Ø 53 cm, height 100 cm, 200 l
125 l	Softener Ø 41 cm, total height 190 cm
	Salt vat Ø 53 cm, height 100 cm, 200 l
150 l	Softener Ø 41 cm, total height 190 cm
	Salt vat Ø 62 cm, height 106 cm, 300 l

18.0

Column softeners and filters in pre-assembled kits

200 l	Softener Ø 54 cm, total height 180 cm
	Salt vat Ø 94 cm, height 97 cm, 500 l
300 l	Softener Ø 61 cm, total height 200 cm
	Salt vat Ø 110 cm, height 141 cm, 1000 l
450 l	Softener Ø 77 cm, total height 210 cm
	Salt vat Ø 110 cm, height 141 cm, 1000 l

## DIMENSIONS DUPLEX SOFTENERS

25 l	Softener Ø 25 cm, total height 110 cm X 2
	Salt vat Ø 34 cm, height 89 cm, 75 l
40 l	Softener Ø 25 cm, total height 140 cm X 2
	Salt vat Ø 34 cm, height 89 cm, 75 l
50 l	Softener Ø 25 cm, total height 160 cm X 2
	Salt vat Ø 53 cm, height 75 cm, 150 l
75 l	Softener Ø 35 cm, total height 160 cm X 2
	Salt vat Ø 53 cm, height 100 cm, 200 l
100 l	Softener Ø 36 cm, total height 190 cm X 2
	Salt vat Ø 53 cm, height 100 cm, 200 l
125 l	Softener Ø 41 cm, total height 190 cm X 2
	Salt vat Ø 62 cm, height 106 cm, 300 l
150 l	Softener Ø 41 cm, total height 190 cm X 2
	Salt vat Ø 94 cm, height 97 cm, 500 l
200 l	Softener Ø 54 cm, total height 180 cm X 2
	Salt vat Ø 110 cm, height 141 cm, 1000 l
300 l	Softener Ø 61 cm, total height 200 cm X 2
	Salt vat Ø 110 cm, height 141 cm, 1000 l

## TECHNICAL CHARACTERISTICS FILTERS

### CARBON FILTER

Code	Description	Ø mm	Height mm	Filter Media l	Max. flow rate m <sup>3</sup> /h	Counterflow m <sup>3</sup> /h
FCM16000	CRB 1" 20 T manual	260	940	25	z0,75	0,75
FCM16010	CRB 1" 25 T manual	260	1430	40	1,20	1,20
FCM16020	CRB 1" 30 T manual	340	1430	54	1,60	1,60
FCA17000	CRB 1" 20 automatic	260	1320	25	0,75	0,75
FCA17010	CRB 1" 25 automatic	260	1580	40	1,20	1,20
FCA17020	CRB 1" 30 automatic	340	1580	54	1,60	1,60
FCA17030	CRB 1" 35 automatic	360	1860	80	2,40	2,40
FCA17040	CRB 1" 40 automatic	410	1860	100	3,00	3,00
FCA17045	CRB 1" 1/2 45 automatic	510	1830	120	3,60	3,60
FCA17050	CRB 1" 1/2 50 automatic	510	1830	160	4,80	4,80
FCA17060	CRB 1" 1/2 60 automatic	610	2050	230	6,90	6,90
FCA17070	CRB 2" 80 automatic	770	2300	400	12,00	12,00

### SAND FILTER

Code	Description	Ø mm	Height mm	Filter Media l	Max. flow rate m <sup>3</sup> /h	Counterflow m <sup>3</sup> /h
FQ150200	MST 1" 20 T manual	260	940	15	0,90	0,75
FQ150210	MST 1" 25 T manual	260	1430	25	1,11	1,20
FQ150220	MST 1" 30 T manual	340	1430	50	1,90	1,60
FQA15000	MST 1" - 20 automatic	260	1090	15	0,70	1,20
FQA15010	MST 1" - 25 automatic	260	1580	25	0,85	1,50
FQA15020	MST 1" - 30 automatic	340	1580	50	1,50	2,60
FQA15030	MST 1" - 35 automatic	360	1860	75	1,70	2,90
FQA15040	MST 1" - 40 automatic	410	1860	80	2,20	3,90
FQA15045	MST 1" 1/2 - 45 automatic	460	1940	100	2,80	4,90
FQA15050	MST 1" 1/2 - 50 automatic	510	1830	150	3,70	6,70
FQA15060	MST 1" 1/2 - 60 automatic	610	2050	200	5,00	8,70
FQA15070	MST 2" - 80 automatic	770	2300	325	8,00	13,70

### BIRM IRON REMOVER

Code	Description	Ø mm	Height mm	Filter Media l	Max. flow rate m <sup>3</sup> /h	Counterflow m <sup>3</sup> /h
FBR19000	FBR 1" 20 automatic	260	1320	20	0,50	1,00
FBR19010	FBR 1" 25 automatic	260	1580	40	0,60	1,20
FBR19020	FBR 1" 30 automatic	340	1580	70	1,00	2,00
FBR19030	FBR 1" 35 automatic	360	1860	80	1,20	2,40
FBR19040	FBR 1" 40 automatic	410	1860	100	1,60	3,20
FBR19050	FBR 1" 45 automatic	460	1950	130	2,00	4,00
FBR19060	FBR 1" 1/2 45 automatic	460	2000	130	2,00	4,00

**ZEOLITE IRON REMOVER**

<b>Code</b>	<b>Description</b>	<b>Ø mm</b>	<b>Height mm</b>	<b>Filter Media l</b>	<b>Max. flow rate m<sup>3</sup>/h</b>	<b>Counterflow m<sup>3</sup>/h</b>
FZA18000	FZA 1" 20 automatic	260	1320	20	0,50	1,00
FZA18010	FZA 1" 25 automatic	260	1580	40	0,60	1,20
FZA18020	FZA 1" 30 automatic	340	1580	70	1,00	2,00
FZA18030	FZA 1" 35 automatic	360	1860	80	1,20	2,40
FZA18040	FZA 1" 40 automatic	410	1860	100	1,60	3,20
FZA18045	FZA 1" 45 automatic	460	1950	130	2,00	4,00
FZA18050	FZA 1" 1/2 50 automatic	510	1830	180	2,70	5,40
FZA18060	FZA 1" 1/2 60 automatic	610	2050	230	3,60	7,20
FZA18080	FZA 2" 80 automatic	770	2300	360	5,60	11,00

# 18.0

Column softeners and filters in pre-assembled kits







# 19.0

*Dispenser for domestic  
and professional use.  
Accessories*

# SYMBOLS LEGEND

## Destination of use



Home



Office



Vending



Bar & restaurant



Ho.Re.Ca.



Community

## Water



Room temperature still water



Room temperature sparkling water



Cold still water



Cold lightly sparkling water



Cold sparkling water

## Dispensing



Single portion control system



2-Portion control system

## Technology



Isotech Plus technology



Contactless dispensing

## Payment



Payment system configuration



Cashless payment

# TECHNOLOGIES

Our systems take advantage of the most advanced technologies to guarantee safety, respect for the environment and greater efficiency.

## CONTACTLESS DISPENSING



Our products feature Contactless technology. You can simply put your hand near the button without touching it and the dispensing system will start pouring the type of water you want!

## PAYMENT SYSTEM CONFIGURATION



«Vending line» products can be equipped with the best technologies in terms of payment systems.








## ISOTECH PLUS TECHNOLOGY



Isotech Plus is the innovative patented insulating material that allows a 30% increase in insulating capacity compared to polyurethane foam.

- Fully recyclable;
- Less heat loss;
- Pollutants-free.

Lab tests confirm that Isotech Plus technology makes our systems better performing and more eco-friendly.

	UVShield+	Technology						Dispensing capability	Dispenser				
								l/h	Top Counter	Under Counter	Under-sink	Counter Floor Standing	Vending
Naturizzatore®		✓	✓	✓	✓	✓	18/120						
UVShields+		✓	✓	✓	✓	✓							
Hielo Slim	✓		✓				18	✓					
Hielo Slim Complete	✓		✓		✓		25	✓					
Hielo	✓		✓				25	✓					
Hielo Alu	✓		✓	✓	✓		35	✓					
Purity Alu			✓	✓			22	✓					
New Venus Dry	✓		✓				18	✓					
Venus Dry Under			✓				18		✓				
Micro gas			✓							✓			
Mini Osmogas Fresh Dry Under			✓				18			✓			
Petit Alu 3sp				✓	✓		35	✓					
Petit Alu Under			✓	✓			35		✓				
Petit Ice 50 3sp	✓			✓	✓	✓	50	✓					
Petit Ice Lux					✓	✓	50	✓					
Petit Ice 50 Orizzontale					✓	✓	50		✓				
Petit Ice 50 Verticale					✓	✓	50		✓				
Petit Ice 50 Office	✓			✓			50				✓		
Easy Office	✓			✓			10/20				✓		
Mini Infinity Pro	✓			✓	✓	✓	50	✓					
Mini Neptun Lux				✓	✓	✓	50	✓					
Mini Neptun Under					✓	✓	50		✓				
Jumbo 13					✓	✓	80		✓				
Infinity Pro	✓				✓	✓	90	✓					
Neptun Lux					✓	✓	90	✓					
Neptun					✓	✓	90		✓				
Aquavert 20					✓	✓	90		✓				
Danubio					✓	✓	120	✓					
Jumbo 20					✓	✓	120		✓				
Aquavert 36					✓	✓	140		✓				
Smart Mix		✓			✓	✓	140/160		✓				
Aurora		✓		✓	✓	✓	80		✓		✓		
Aurora Plus		✓		✓	✓	✓	120				✓		
Combi Ada		✓		✓	✓	✓	240	✓					
Mignolo mix		✓				✓	200		✓				
Mago Mix		✓				✓	300		✓				
Party Mix		✓				✓	350		✓				
V200 Mitar		✓				✓	350		✓				
Monster Mix		✓				✓	400		✓				
External carbonator					✓	✓							
External cold carbonator					✓	✓							
KÄLLA		✓		✓		✓	90					✓	



H <sub>2</sub> O			Technology							Payment		Cooling System	Cooling Gas	P.	
SW			CA												
✓	✓														96
															98
✓	✓	✓							✓				A secco Dry	✓	102
✓	✓	✓							✓				A secco Dry	✓	103
✓	✓	✓							✓				Banco ghiaccio Bank cooling	✓	104
✓	✓	✓							✓				A secco Dry	✓	105
✓	✓	✓							0				A secco Dry	✓	106
✓	✓	✓	✓	✓				✓	0				A secco Dry	✓	107
✓	✓	✓	✓	✓				✓					A secco Dry	✓	108
✓					✓								-		110
✓	✓	✓											A secco Dry	✓	111
✓	✓	✓											A secco Dry	✓	112
✓	✓	✓											A secco Dry	✓	113
✓	✓	✓	✓	✓			✓		0				Banco ghiaccio Bank cooling	✓	116
✓	✓	✓	✓	✓									Banco ghiaccio Bank cooling	✓	117
✓	✓	✓	✓	✓									Banco ghiaccio Bank cooling	✓	118
✓	✓	✓	✓	✓									Banco ghiaccio Bank cooling	✓	119
✓	✓	✓	✓	✓					✓	✓	✓		Banco ghiaccio Bank cooling	✓	122
✓	✓	✓	✓	✓					✓					✓	123
✓	✓	✓	✓	✓			✓	✓	0				Banco ghiaccio Bank cooling	✓	124
✓	✓	✓	✓	✓				✓					Banco ghiaccio Bank cooling	✓	125
✓	✓	✓	✓	✓				✓					Banco ghiaccio Bank cooling	✓	126
✓	✓	✓	✓	✓				✓					Banco ghiaccio Bank cooling	✓	127
✓	✓	✓	✓	✓			✓	✓	0				Banco ghiaccio Bank cooling	✓	130
✓	✓	✓	✓	✓				✓					Banco ghiaccio Bank cooling	✓	131
✓	✓	✓	✓	✓									Banco ghiaccio Bank cooling	✓	132
✓	✓	✓											Banco ghiaccio Bank cooling	✓	133
✓	✓	✓											Banco ghiaccio Bank cooling		134
✓	✓	✓											Banco ghiaccio Bank cooling	✓	135
✓	✓	✓											Banco ghiaccio Bank cooling	✓	136
✓	✓	✓											Banco ghiaccio Bank cooling	✓	137
✓	✓	✓						✓			✓		Banco ghiaccio Bank cooling	✓	138
✓	✓	✓						✓			✓		Banco ghiaccio Bank cooling	✓	139
✓	✓	✓				✓					✓		Banco ghiaccio Bank cooling	✓	140
	✓	✓						✓					Banco ghiaccio Bank cooling	✓	141
	✓	✓											Banco ghiaccio Bank cooling	✓	142
✓	✓	✓											Banco ghiaccio Bank cooling	✓	143
✓	✓	✓											Banco ghiaccio Bank cooling	✓	144
	✓	✓						✓					Banco ghiaccio Bank cooling	✓	145
					✓										146
					✓										147
✓	✓	✓				✓	✓		0	✓	✓		Banco ghiaccio Bank cooling	0	152

0=Optional

19.0

Dispenser for domestic and professional use. Accessories



# DISPENSER

NATURIZZATA®

## UNDER-SINK NATURIZZATORE

NEW

SW



**Excellent water for everyone, advantages**

Eliminates up to 99.9% of bacteria present in the water.

Eliminates smell and taste of chlorine and sediment in the water.



only included with:  
MCF-M001 MEDIUM  
MCF-M002 MAXI

### Features

- AISI304SB stainless steel housing.
- Carbon Block Filtration + UV lamp
- Anti-flooding probe.
- Liter counting with maintenance alert;
- the equipment can also be installed under the counter, as well as vertically and horizontally.
- Installation Kit Included.
- Tap included only for 5N001 MEDIUM and 5N002 MAXI.

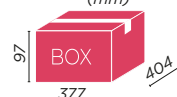


Code	Description	Filter n.	€
MCF-M001	Under-sink dispenser complete with tap and installation kit.	Single filter 6 l/min	
MCF-M002	Under-sink dispenser complete with tap and installation kit.	Double filter 10 l/min	
MCF-M003	Under-sink dispenser complete installation kit (not included tap)	Double filter 10 l/min	
Cod. Optional	Description	Filter n.	
ON18M00	ON 18 MEDIUM Ag NATURIZZATA®: filter 1 spare cartridge: Disposable cartridges with 0.5µm sintered Carbon Block technology	N.1 Monouso	



Supply: drinking water supply.

1 pcs x 4,5 kg  
(mm)



19.0

Dispenser for domestic and professional use. Accessories

## WHAT NATURIZZATORE DO

- Removes unpleasant flavors and odors.
- It retains solid impurities.
- It reduces the bacterial load by up to 99,9%.
- It does not change the setup of water.
- It does not have storage tanks.
- It doesn't waste even a drop of water.

### The Benefits

- **ECONOMICAL SOLUTION:** save using tap water instead of expensive bottled water.
- **ECOLOGICAL SOLUTION:** no more plastic: reduction of CO2 and cleaner seas.
- **BULK AND EFFORT:** disconnect from the system, be independent and stop buying of water.
- **VERY PURE WATER:** not just dal water good flavor but also pure, and safe.



The water treatment carried out by the Naturizzatore involves composite bed filtration (charcoal and filter) and a ray disinfection ultraviolet. This system removes the compounds from mains water that can give it a bad smell and taste (chlorine and its derivatives), therefore breaks down the bacterial load present in the water.

The exclusive disinfection system, patented by WATERLINE, guarantees extraordinary results. **The Naturizzatore is able to eliminate up to 99.9% of bacteria and viruses**, thus guaranteeing perfect bacteriological potability of the water supplied.

### OPTIONAL ON 18 MEDIUM Ag NATURIZZATA®

Oceano Filter  
ON18 MEDIUM Ag  
n1 replacement cartridge  
page XX



- Disposable cartridges with special 0.5µm sintered Carbon Block technology.
- They remove turbidity (nominal filtration degree 0,5µm), chlorine, taste and odors from the water.
- The silver molecules present in the filter structure have a bacteriostatic action, the cartridges reduce organic substances and heavy metals.
- The Stem version has IN/OUT male connections with 10 mm tube. tubo 10 mm.



Product compliant with DM25/2015  
DM174/04-NSF/ANSI 42-ACS e WRAS

# UVSHIELD+

## STERILIZATION SYSTEM

NEW



**UVShield+** was created to meet the need for safety and hygiene without compromise.

Thanks to a UV LED sterilization system installed in the dispenser spout, it prevents any risk of back contamination, keeping every drop pure and safe.

The shape of the spout also prevents the user's container from getting close to the spout itself, eliminating the possibility of contact contamination.

### UVShield+

is available as an option for:

- Hielo Slim
- Hielo Slim Complete
- Hielo
- Hielo Alu
- New Venus Dry
- Petit Ice 50 3SP
- Mini Infinity Pro
- Infinity Pro
- Petite Ice 50 Office
- Easy Office



- NO CHANGE IN THE TAST OF WATER.
- BACTERICIDAL ACTION LOCALIZED IN THE CRITICAL POINTS OF THE SYSTEM.
- HIGH EFFICIENCY AND VERY LOW POWER CONSUMPTION.
- NO HEATING OF THE TREATED WATER.
- 6-8 TIMES LONGER LIFE THAN TRADITIONAL MERCURY VAPOR LAMPS.
- IMMEDIATE SWITCHING ON.
- ENVIRONMENTAL COMPATIBILITY: ABSENCE OF TOXIC SUBSTANCES AND HEAVY METALS IN THE COMPONENTS.

19.0

Dispenser for domestic and professional use. Accessories



Hielo Slim - P 102



Hielo Slim Complete - P 103



Hielo - P 104 / Hielo Alu - P 105



Mini Infinity Pro - P 124



Infinity Pro - P 130



Petite Ice 50 Office - P 122



Easy Office - P 123

19.0

Dispenser for domestic and professional use. Accessories



HIELO SLIM TOP COUNTER DISPENSER

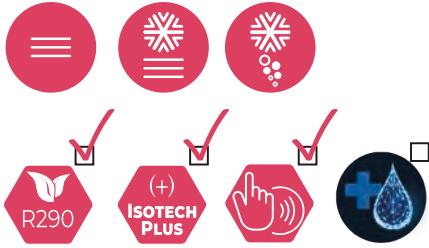
Easy to use with Carafe

18 l/h

19.0

Dispenser for domestic and professional use. Accessories

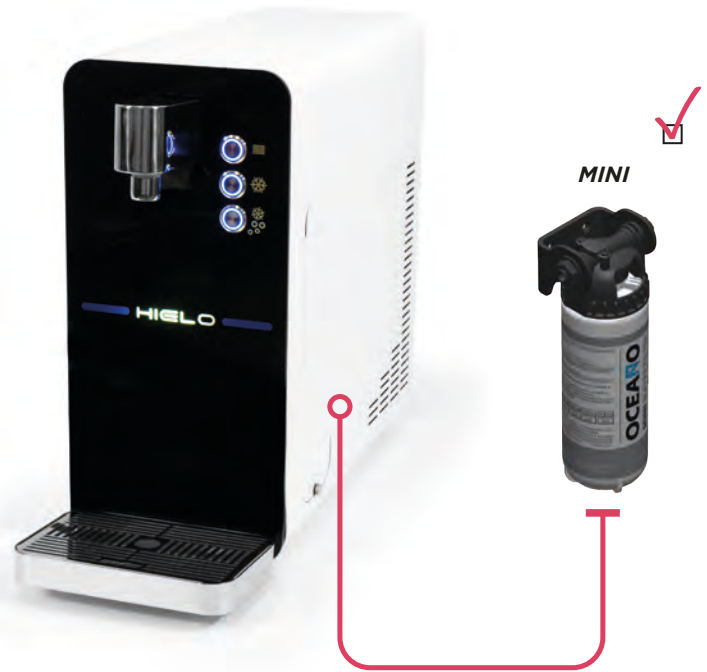
SW



ADVISED Page 418



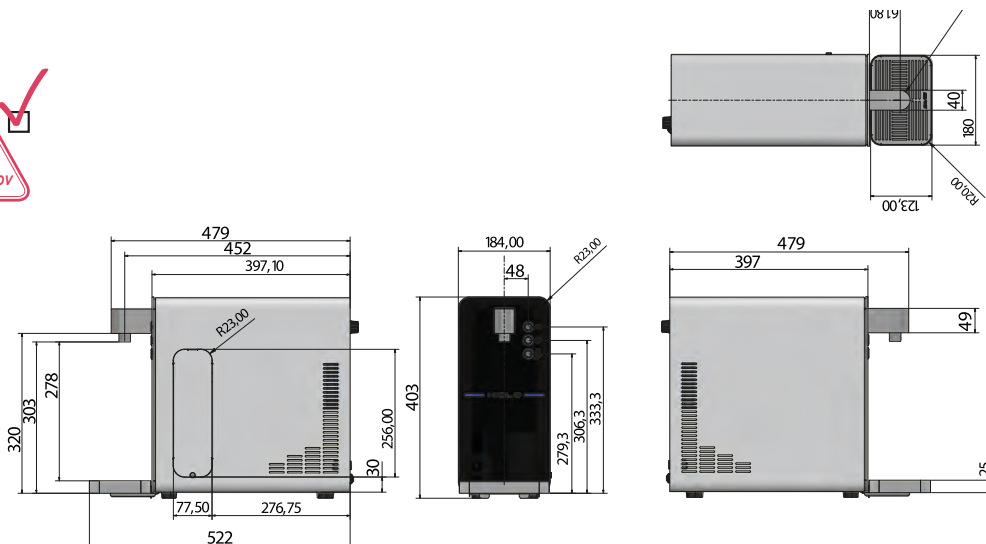
Naturizzatore Cod MCF-M003



Features

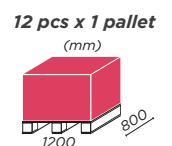
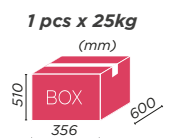
- Counter top water dispenser 1 o 3 selections for cold water, room temperature water ,sparkling water
- Dry cooling technology with aluminum block and isotechplus insulation
- Dispensing buttons with blue backlighting
- White metal casing and white plastic front panel
- Filtering system inside the machine with "mini"ocean filter
- Drip tray and support grid in aisi 304

Code	Description	Cooling system	Compressor power	Water tank capacity	Dispensing capability	Carbonation pump	Carbonator capacity	Connections	Ricirculation	€
			hp	l	l/h		l	In/Out		
HL112SLIM2	Hielo Slim	DRY	1/12	-	18	Booster 90 l/h	0,65	CO <sub>2</sub> IN 6mm CO <sub>2</sub> OUT 6mm H <sub>2</sub> O IN 8mm	-	



Dim. L 184 x P 479 (522 + DRIP TRAY) H 403

(mm)



# HIELO SLIM COMPLETE TOP COUNTER DISPENSER

Easy to use with Carafe

SW

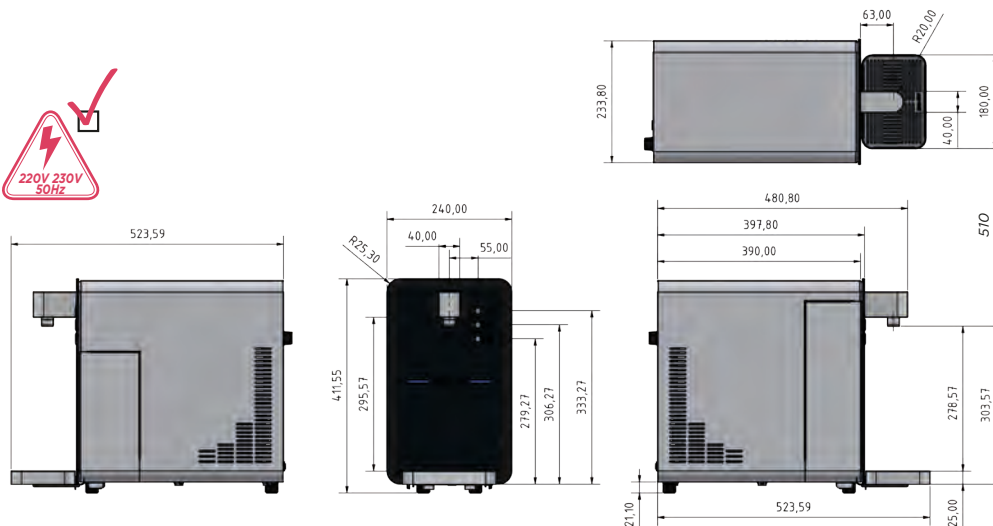


### Features

- Counter top water dispenser 1 o 3 selections for cold water, room temperature water, sparkling water
- Ice bank cooling system and isotechplus insulation
- Dispensing buttons with blue backlighting
- White metal casing and white plastic front panel
- Drip tray and support grid in aisi 304

Code	Description	Cooling system	Compressor power	Water tank capacity	Dispensing capability	Carbonation pump	Carbonator capacity	Connections	Ricirculation	€
			hp	l	l/h		l	In/Out		
HL112CMLTTP*	Hielo Slim Complete	Dry	1/12	3	25	Booster 90 l/h	0,5	CO <sub>2</sub> IN 6mm CO <sub>2</sub> OUT 6mm H <sub>2</sub> O IN 8mm	-	

\* Hielo Slim 1/12 R290 regulator complete Top S/ cylinder s/ Reducer s/ cartridge



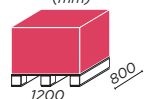
Dim. L 240 x P 480,80 (523,59 + DRIP TRAY) H 411,55

(mm)

1 pcs x 25kg (mm)



12 pcs x 1 pallet (mm)



19.0

Dispenser for domestic and professional use. Accessories



# HIELO TOP COUNTER DISPENSER

**BEVCO**

Easy to use with Carafe

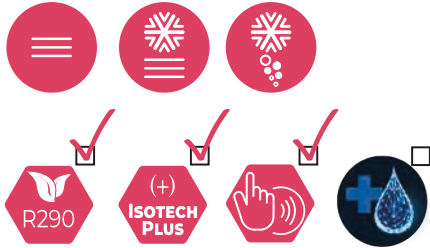
25 l/h

Dispenser for domestic and professional use. Accessories

19.0



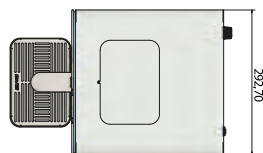
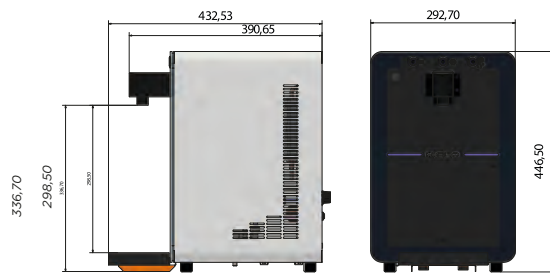
SW



**Features**

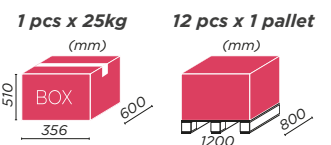
- Counter top water dispenser 1 o 3 selections for cold water, room temperature water, sparkling water
- Ice bank cooling system and isotechplus insulation
- Dispensing buttons with blue backlighting
- White metal casing and white plastic front panel
- Drip tray and support grid in aisi 304

Code	Description	Cooling system	Compressor power	Water tank capacity	Dispensing capability	Carbonation pump	Carbonator capacity	Connections	Ricirculation	€
			hp	l	l/h		l	In/Out		
HL1103L2	Hielo	Bank cooling	1/10	3	25	Booster 90 l/h	0.8	CO <sub>2</sub> IN 6mm CO <sub>2</sub> OUT 6mm H <sub>2</sub> O IN 8mm	-	



Dim. (mm)  
L 292,70  
P 390,65  
(432,53 + DRIP TRAY)  
H 446,50

(mm)



# HIELO ALU TOP COUNTER DISPENSER

Easy to use with Carafe

35 l/h

SW



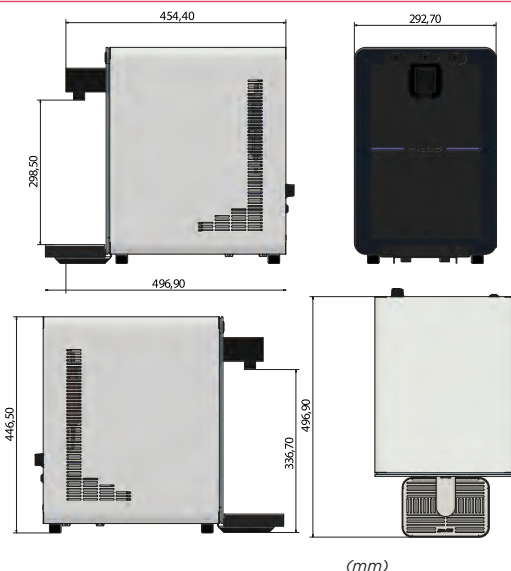
19.0

Dispenser for domestic and professional use. Accessories

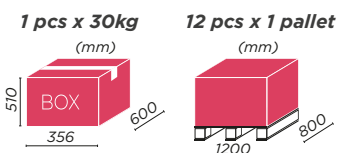
## Features

- Counter top water dispenser 1 o 3 selections for cold water, room temperature water, sparkling water
- Dry cooling technology with aluminium block and isotechplus insulation
- Dispensing buttons with blue backlighting
- White metal casing and white plastic front panel
- Drip tray and support grid in aisi 304

Code	Description	Cooling system	Compressor power	Water tank capacity	Dispensing capability	Carbonation pump	Carbonator capacity	Connections	Ricirculation	€
			hp	l	l/h		l	In/Out		
HL110ALU	Hielo Alu	Dry	1/10	-	35	Booster 90 l/h	1	CO <sub>2</sub> IN 6mm CO <sub>2</sub> OUT 6mm H <sub>2</sub> O IN 8mm	-	



Dim. (mm)  
L 292,70  
P 454,40  
(496,90 + DRIP TRAY)  
H 446,50



# PURITY ALU TOP COUNTER DISPENSER

**BEVCO**

Continuous natural and sparkling water production

22 l/h

OCEANO filter inside

SW



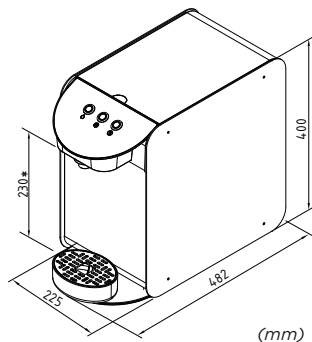
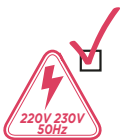
**+** ADVISED Page 418



### Features

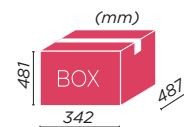
- Counter Top water dispenser with 3 selections: room temperature water, cold and cold sparkling water
- Dry cooling technology
- Provided with internal filter ("Mini filter" OCEANO)
- External casing in aluminum and plastic
- Backlight buttons

Code	Description	Cooling system	Compressor power	Water tank capacity	Dispensing capability	Carbonation pump	Carbonator capacity	Connections	Ricirculation	€
			hp	l	l/h		l	In/Out		
N28554	Purity Alu	Dry	1/10	-	22	Booster 90 l/h	1	CO <sub>2</sub> IN 6mm H <sub>2</sub> O IN 8mm	-	

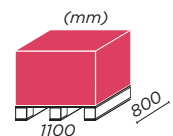


\*Useful dispensing height

1 pcs x 32kg (mm)



15 pcs x 1 pallet (mm)



Dispenser for domestic and professional use. Accessories 19.0

# NEW VENUS DRY TOP COUNTER DISPENSER

18 l/h

Most compact machine on the market

Easy to use with Carafe

Available with front panel in 4 different colors

SW



CA



Optional



**ADVISED** Page 418



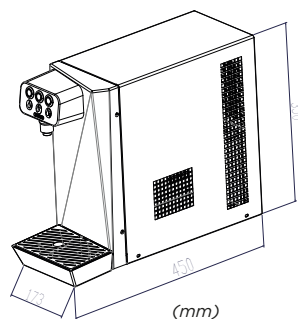
Naturizzatore Cod MCF-M003



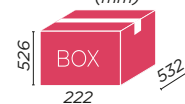
## Features

- Counter Top water dispenser with 2 or 3 selections: room temperature water, cold and cold sparkling water
- Dry cooling technology with aluminum block (Isotech Plus isolation technology)
- Dispensing buttons with blue backlighting
- External fairing in white skin plate, front in thermoformed plastic material available in 4 colours

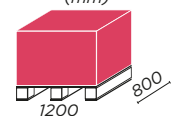
Code	Description	Cooling system	Compressor power	Water tank capacity	Dispensing capability	Carbonation pump	Carbonator capacity	Connections	Ricirculation	€
			hp	l	l/h		l	In/Out		
BS012303R290	New Venus Dry Top SW	Dry	1/10	-	18	Booster 80 l/h	0,5	CO <sub>2</sub> IN 6mm H <sub>2</sub> O IN 8mm	-	
BS012323R2	New Venus Dry Top CA	Dry	1/10	-	18	-	-	H <sub>2</sub> O IN 8mm	-	



1 pcs x 22kg  
(mm)



21 pcs x 1 pallet  
(mm)



19.0

Dispenser for domestic and professional use. Accessories

# VENUS DRY UNDER COUNTER DISPENSER

18 l/h

Available in the water cooled version

Available in the version compatible with electric tap

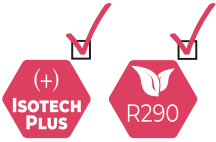


19.0 Dispenser for domestic and professional use. Accessories

**SW**

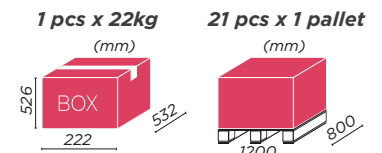
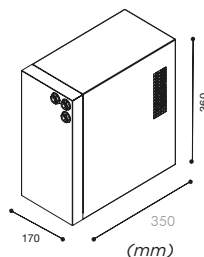


**CA**



**Features**

- Under counter water dispenser with 2 or 3 selections: room temperature still water, cold still water, cold sparkling water
- Dry cooling system with aluminum block (Isotech Plus isolation technology)
- Available with manual (I) or electric (E) dispensing system
- Available with water condensation (H<sub>2</sub>O)
- Skin plate housing



Code	Description	Cooling system	Compressor power	Water tank capacity	Dispensing capability	Carbonation pump	Carbonator capacity	Connections	Ricirculation	€
			hp	l	l/h		l	In/Out		
BS022120R2	Venus Dry Under CA	Dry	1/10	-	18	-	-	H <sub>2</sub> O IN 8mm OUT 6mm	-	
BS022100R2	Venus Dry Under I SW	Dry	1/10	-	18	Booster 80 l/h	0,5	H <sub>2</sub> O IN 8mm OUT 6mm	-	
BS022200R2	Venus Dry Under E SW	Dry	1/10	-	18	Booster 80 l/h	0,5	H <sub>2</sub> O IN 8mm OUT 6mm	-	
BS023100R2	Venus Dry Under I SW	H <sub>2</sub> O	1/10	-	18	Booster 80 l/h	0,5	H <sub>2</sub> O IN 8mm OUT 6mm	-	
BS023200R2	Venus Dry Under E SW	H <sub>2</sub> O	1/10	-	18	Booster 80 l/h	0,5	H <sub>2</sub> O IN 8mm OUT 6mm	-	

Code	Description	€
OIO21992CA	Additional 3-ways faucet in chrome with high spout made in Italy	
OIO21994CA	Chrome-plated 5 ways mixer with high spout made in Italy	



## MICRO GAS UNDER-SKIN DISPENSER

WATER RO

Stainless steel  
Installation under counter and undersocket  
Removes bad taste and odours  
1-way tap included



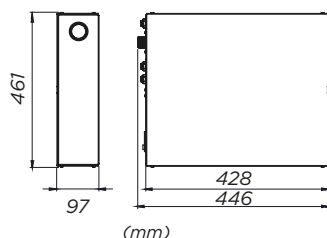
SW



### Features

- It supplies the end user with room temperature carbonated water and filtered natural water.
- MICRO GAS is equipped with an OCEAN filtration stage (ON16) that removes odours and flavours and retains all water impurities.
- The enclosure is made of AISI304SB stainless steel and has very compact dimensions. The appliance can also be installed under the counter, vertically and horizontally.
- It is equipped with a pressure gauge to display the working pressure of the pump.
- Weight: 7 kg
- Power supply: drinking water network
- Supply voltage: 220/240 V - 50 Hz
- Absorption: 1A
- White metal casing and white plastic front panel
- Drip tray and support grid in aisi 304

Code	Description	€
MCG-M001	Micro Gas medium H.10	



# MINI OSMOGAS FRESH DRY UNDER UNDER-SKIN DISPENSER

Integrated membrane

Under counter dispenser  
only 17 cm wide

18 l/h

SW



**ADVISED** Page 418



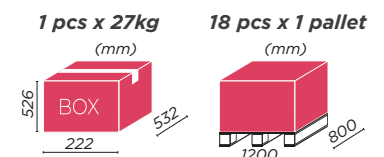
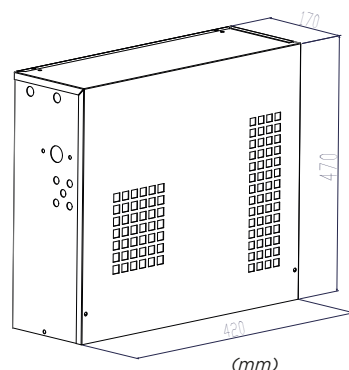
19.0

Dispenser for domestic and professional use. Accessories

## Features

- Under counter dispenser with filtration system that uses a direct reverse osmosis technology, providing osmotic water at room temperature, cold still water and cold sparkling water
- The small dimensions allow for this system to be placed also where space is constrained
- Dry cooling system with aluminum block
- White external housing
- The use of a 400 gallon membrane guarantees a high production of osmotic water

Code	Description	Cooling system	Compressor power	Water tank capacity	Dispensing capability	Carbonation pump	Carbonator capacity	Connections	Ricirculation	€
			hp	l	l/h		l	In/Out		
OI20096R2	Mini Osmogas Fresh Dry Under	Dry	1/10	-	18	Volumetric 300l/h	0,5	CO <sub>2</sub> IN 6mm H <sub>2</sub> O IN 3/4" M H <sub>2</sub> O OUT 6mm	-	



# PETIT ALU 3SP TOP COUNTER DISPENSER

**BEVCO**

**Professional riser to lift the machine and house the carafe**

**35 l/h**

**19.0**

Dispenser for domestic and professional use. Accessories

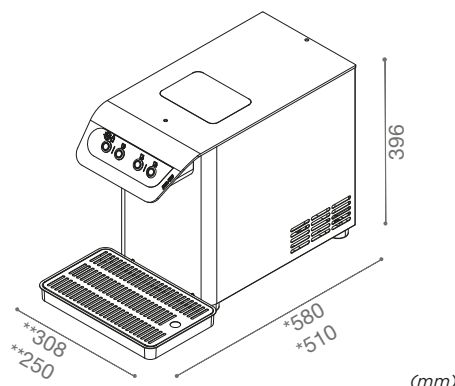
SW



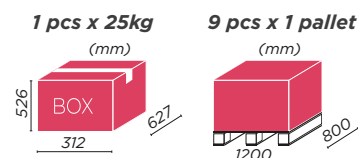
**Features**

- Counter top water dispenser for cold, room temperature and sparkling water
- Dry cooling system with aluminum block
- Dispensing system with volumetric volume dosage: 2 volumes (glass - bottle) for each of the 3 selections
- Illuminated buttons.
- Stainless steel casing.
- Anodized aluminum cover.

Code	Description	Cooling system	Compressor power	Water tank capacity	Dispensing capability	Carbonation pump	Carbonator capacity	Connections	Ricirculation	€
			hp	l	l/h		l	In/Out		
PTALU353SP	Petit Alu 3SP	Dry	1/8	-	35	SW Booster 120 l/h	1	CO <sub>2</sub> IN 6mm H <sub>2</sub> O IN 8mm	-	
042725	Rialzo Petit Top	-	-	-	-	-	-	-	-	



\*\*308 with drip tray  
\*\*250 without drip tray  
\*580 with drip tray  
\*510 without drip tray



# PETIT ALU UNDER UNDER COUNTER DISPENSER

High performance aluminum bench technology

35 l/h

SW

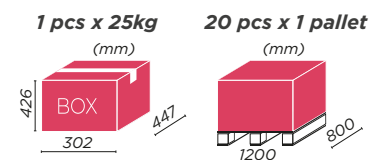
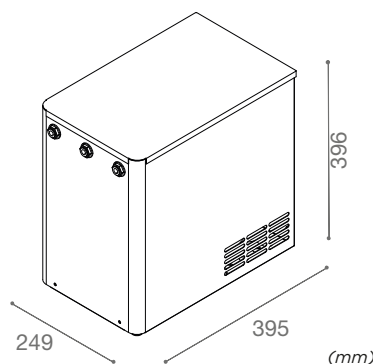


### Features

- Under counter water dispenser for cold/room temperature/sparkling water
- Dry cooling system with aluminum block
- Stainless steel casing and cover
- Refrigerant gas R290

Code	Description	Cooling system	Compressor power	Water tank capacity	Dispensing capability	Carbonation pump	Carbonator capacity	Connections	Ricirculation	€
			hp	l	l/h		l	In/Out		
PTALU35	Petit Alu 35 Under	Dry	1/8	-	35	Booster 120 l/h	1	CO <sub>2</sub> IN 6mm H <sub>2</sub> O IN 8mm H <sub>2</sub> O OUT 8mm	-	

Code	Description	€
OI021992CA	Additional 3-ways faucet in chrome with high spout made in Italy	
OI021994CA	Chrome-plated 5 ways mixer with high spout made in Italy	



19.0

Dispenser for domestic and professional use. Accessories

# PETIT ALU 3SP TOP COUNTER DISPENSER

50 l/h

Professional riser to lift the machine and house the carafe  
 Compact dimensions  
 Consecutively dispenses lots of cold and sparkling water  
 Programmable doses

Dispenser for domestic and professional use. Accessories

19.0

SW



CA

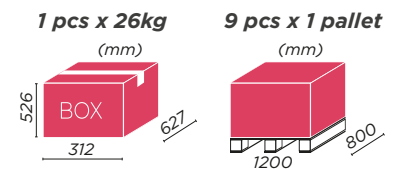
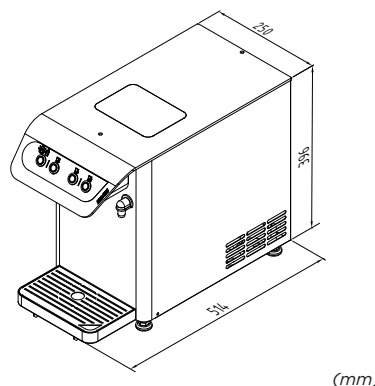
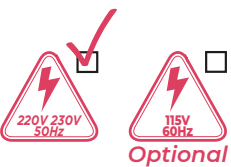


**Features**

- Counter top water dispenser with 2 or 3 selections for cold/room temperature/sparkling water
- Ice bank
- Dispensing system with volumetric volume dosage: 2 volumes (glass - bottle) for each of the 3 selections
- Illuminated buttons
- Stainless steel casing. Anodized aluminum cover
- White skin plate casing and white plastic front panel

Code	Description	Cooling system	Compressor power	Water tank capacity	Dispensing capability	Carbonation pump	Carbonator capacity	Connections	Ricirculation	€
			hp	l	l/h		l	In/Out		
PTICE503SPR2	Petit Ice 50 3SP SW*	Ice bank	1/8	9	50	Booster 120 l/h	1	CO <sub>2</sub> IN 6mm H <sub>2</sub> O IN 8mm	-	
042725	Petit Top Riser	-	-	-	-	-	-	-	-	

\* SP:Dripray without drain - \*\* SP2:Dripray with drain



# PETIT ALU UNDER UNDER COUNTER DISPENSER

Compact dimensions

Consecutively dispenses lots of cold and sparkling water

50 l/h

SW



CA



**+** ADVISED Page 418



### Features

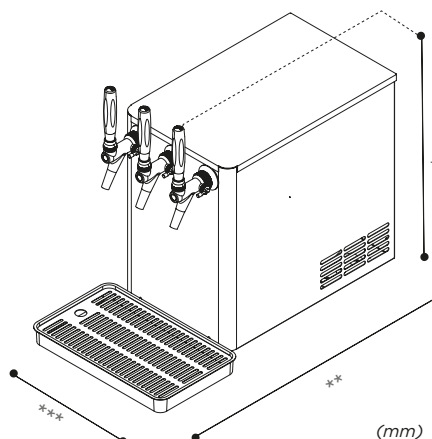
- Top counter dispenser with 3 selections: room temperature, cold and sparkling cold water
- Equipped with manual taps in plastic and drip tray
- Ice bank cooling technology
- External housing and upper lid in stainless steel

Code	Description	Cooling system	Compressor power	Water tank capacity	Dispensing capability	Carbonation pump	Carbonator capacity	Connections	Ricirculation	€
			hp	l	l/h		l	In/Out		
PTICE50LXR2	Petit Ice Lux	Ice bank	1/8	9	50	Booster 120 l/h	1	CO <sub>2</sub> Tubi/Pipe 5/16" H <sub>2</sub> O Tubi/Pipe 5/16"	-	



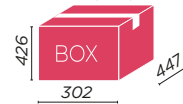
\*\*\*308  
with drip tray  
\*\*250  
without drip tray

\*495 with taps  
\*392 without taps  
\*\*582 with drip tray  
\*\*395 without drip tray



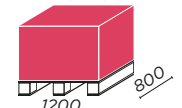
1 pcs x 22kg

(mm)



20 pcs x 1 pallet

(mm)



19.0

Dispenser for domestic and professional use. Accessories



**PETIT ICE 50 ORIZZONTALE**  
UNDER COUNTER DISPENSER

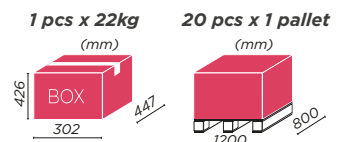
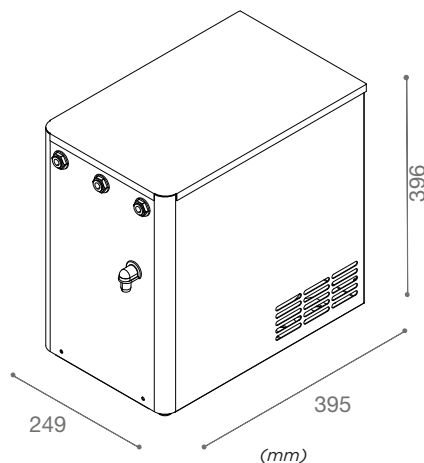
50 l/h



**Features**

- Under counter dispenser with 2 or 3 selections: room temperature, cold and sparkling cold water
- Ice bank cooling technology
- External housing and cover in stainless steel

Code	Description	Cooling system	Compressor power	Water tank capacity	Dispensing capability	Carbonation pump	Carbonator capacity	Connections	Ricirculation	€
			hp	l	l/h		l	In/Out		
PTICES0R290	Petit Ice 50 Under	Ice bank	1/8	9	50	Booster 120 l/h	1	CO <sub>2</sub> IN 6mm H <sub>2</sub> O IN 8mm H <sub>2</sub> O OUT 8mm	-	
PTICES0CAR2	Petit Ice 50 Under CA	Ice bank	1/8	9	50	-	-	CO <sub>2</sub> IN 6mm H <sub>2</sub> O IN 8mm	-	



19.0

Dispenser for domestic and professional use. Accessories

**PETIT ICE 50 VERTICALE**  
UNDER COUNTER DISPENSER

50 l/h

SW



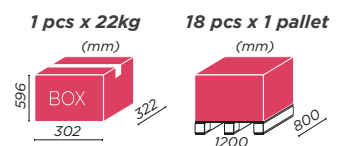
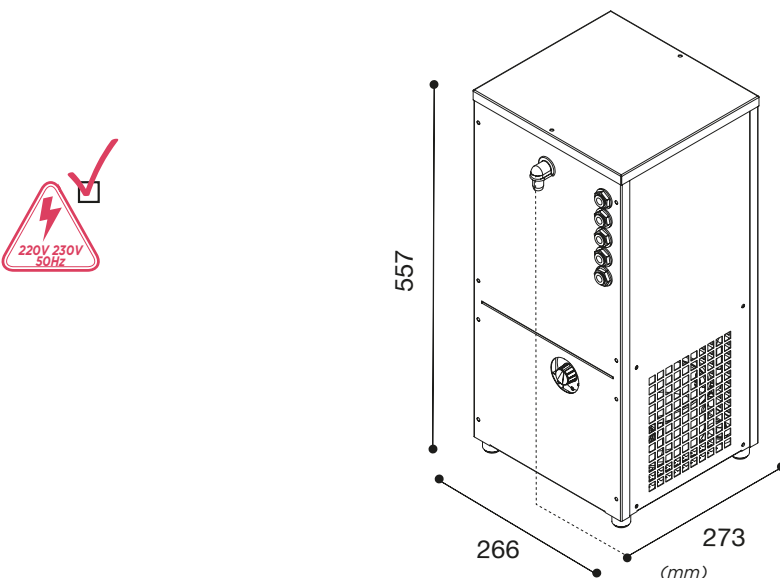
**+** ADVISED Page 418



**Features**

- Under counter dispenser with 3 selections: room temperature, cold and sparkling cold water
- Ice bank cooling technology
- External housing in grey skin plate (Stainless steel optional)

Code	Description	Cooling system	Compressor power	Water tank capacity	Dispensing capability	Carbonation pump	Carbonator capacity	Connections	Ricirculation	€
			hp	l	l/h		l	In/Out		
PTICE50VR2	Petit Ice 50 V	Ice bank	1/8	9	50	Booster 120 l/h	1	CO <sub>2</sub> IN 6mm H <sub>2</sub> O IN 8mm H <sub>2</sub> O OUT 8mm	-	



19.0

Dispenser for domestic and professional use. Accessories

# PETIT ICE OFFICE COUNTER FLOOR STANDING DISPENSER

It can house both the cylinder and the filtration kit

50 l/h

Dispenser for domestic and professional use. Accessories

19.0

SW



CA



**+** ADVISED Page 418



Naturizzatore Cod MCF-M003



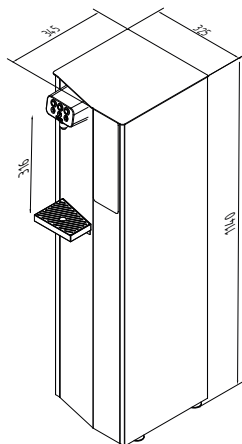
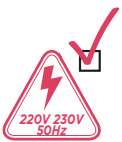
**Features**

- Counter floor standing dispenser with 2 or 3 selections for cold/room temperature/sparkling water
- Ice bank
- Illuminated buttons
- Skin plate silver casing

Code	Description	Cooling system	Compressor power	Water tank capacity	Dispensing capability	Carbonation pump	Carbonator capacity	Connections	Ricirculation	€
			hp	l	l/h	l/h	l	In/Out		
PTICE500F	Petit Off SW	Ice bank	1/8	9	50	120	1	CO <sub>2</sub> IN 6mm H <sub>2</sub> O IN 8mm	-	
PTICE500FCA	Petit Off CA	Ice bank	1/8	9	50	-	-	CO <sub>2</sub> IN 6mm H <sub>2</sub> O IN 8mm	-	
PTICE500FPG	Petit Off*	Ice bank	1/8	9	50	120	1	CO <sub>2</sub> IN 6mm H <sub>2</sub> O IN 8mm	-	
PTICE500FPGC	Petit Off**	Ice bank	1/8	9	50	120	1	CO <sub>2</sub> IN 6mm H <sub>2</sub> O IN 8mm	-	

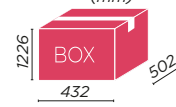
\* FPG= Prepared for paid system

\*\* FPGC= Installed payment system (card/coin acceptor)

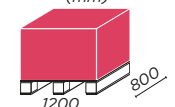


(mm)

1 pcs x 28kg  
(mm)



4 pcs x 1 pallet  
(mm)



# EASY OFFICE 10/20LH COUNTER FLOOR STANDING DISPENSER

12-20 l/h

SW



CA



**ADVISED** Page 418



Naturizzatore Cod MCF-M003



19.0

Dispenser for domestic and professional use. Accessories

## Features

- Counter floor standing dispenser with two or three selections of room temperature water, hot water, chilled water and chilled sparkling water.
- Ice bank or accumulation tank refrigeration system. Removable drip tray
- Front door for the pre-filtration housing compartment and 2kg CO2 cylinder (optional)
- LED indicator (Power, Cold, Hot)
- On request TOP version with water tank.

Code	Description	Cooling system	Compressor power	Heating power	Water tank capacity	Dispensing capability	Carbonation pump	Carbonator volume	Disinfection	€
			HP	Watt	L	L/h	L/h	L		
EASYOF10	EASY OFFICE SW	ICE BANK	1/8		2	20	90	0,5		
EASYOF10UV	EASY OFFICE SW+UV LED	ICE BANK	1/8		2	20	90	0,5	UV LED	
EASYOF10CA	EASY OFFICE CA	ACCUMULATION TANK + EV. x AMBIENT	1/8		2	10				
EASYOF10CAUV	EASY OFFICE EV CA + UV LED	ACCUMULATION TANK + EV. x AMBIENT	1/8		2	10			UV LED	
EASYOF12	EASY OFFICE CA	ACCUMULATION TANK	1/8		2	10				
EASYOF14	EASY OFFICE CAH	ACCUMULATION TANK	1/8	500 W	2	10				
EASYOF16	EASY OFFICE TOP CA	ACCUMULATION TANK	1/8		2	10				
EASYOF18	EASY OFFICE TOP CAH	ACCUMULATION TANK	1/8	500 W	2	10				
KITFILTR16A16	KIT MICROFILTRAZIONE ON 16M									
KITFILTR16A25	KIT ULTRAFILTRAZIONE ON 25M									



CHIUSO/ CLOSED

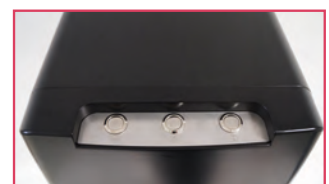


APERTO/ OPEN



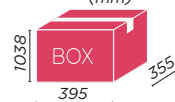
APERTO/ OPEN

- It can house both the cylinder and the Filtration Kit inside

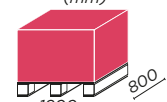


- SW Model: With Steel buttons at the top.

1 pcs x 18 kg (mm)



6 pcs x 1 pallet (mm)



# MINI INFINITI PRO TOP COUNTER DISPENSER

**BEVCO**

Front or side portion

**50 l/h**

SW



CA



Optional



**+** ADVISED Page 418



Naturizzatore Cod MCF-M003



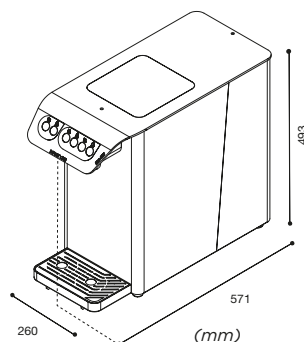
**Features**

- Counter top water dispenser for cold, room temperature and sparkling water
- 2 portion controls for both cold and sparkling water
- Ice bank technology (Isotech Plus isolation technology)
- 6 piezoelectric buttons. Front or side dispensing
- Available in 3 versions: front dispensing 3 selections, side dispensing 3 selections, front dispensing 2 selections
- External casing made in aluminum and stainless steel

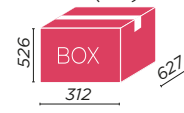
Dispenser for domestic and professional use. Accessories

19.0

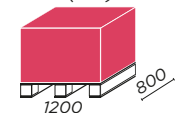
Code	Description	Cooling system	Compressor power	Water tank capacity	Dispensing capability	Carbonation pump	Carbonator capacity	Connections	Ricirculation	€
			hp	l	l/h		l	In/Out		
MINF6163SPR2	Mini Infinity Pro	Ice bank	1/6	7	50	Volumetric 150l/h	0,5	CO <sub>2</sub> Tubi/Pipe 5/16" H <sub>2</sub> O Tubi/Pipe 5/16"	-	
MINF616L3SPR2	Mini Infinity Pro (lateral)	Ice bank	1/6	7	50	Volumetric 150l/h	0,5	CO <sub>2</sub> Tubi/Pipe 5/16" H <sub>2</sub> O Tubi/Pipe 5/16"	-	
MINF6162SPCA	Mini Infinity Pro	Ice bank	1/6	7	50	CA	-	H <sub>2</sub> O Tubi/Pipe 5/16"	-	



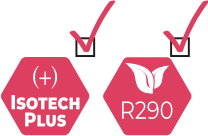
1 pcs x 25kg (mm)



9 pcs x 1 pallet (mm)

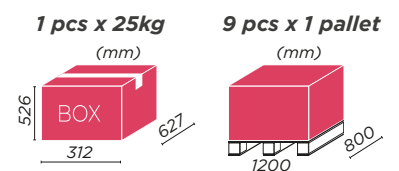
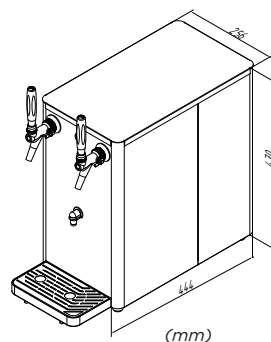


**MINI NEPTUN LUX TOP COUNTER DISPENSER**
**50 l/h**
**SW**

**CA**

**Features**

- Counter top water dispenser with 2 or 3 selections for cold/room temperature/sparkling water
- Equipped with manual taps in plastic and drip tray
- Ice bank cooling technology (Isotech Plus isolation technology)
- External housing in satin-finished stainless steel, lid in polished stainless steel

Code	Description	Cooling system	Compressor power	Water tank capacity	Dispensing capability	Carbonation pump	Carbonator capacity	Connections	Ricirculation	€
			hp	l	l/h	l/h	l	In/Out		
MNPTLX16PR2	Mini Neptun Lux SW	Ice bank	1/6	6	50	Volumetric 150l/h	0,5	CO <sub>2</sub> IN 5/16" H <sub>2</sub> O IN 5/16"	-	


**19.0**

Dispenser for domestic and professional use. Accessories



**MINI NEPTUN UNDER UNDER COUNTER DISPENSER**

**BEVCO**

**50 l/h**

SW



CA



Dispenser for domestic and professional use. Accessories

19.0

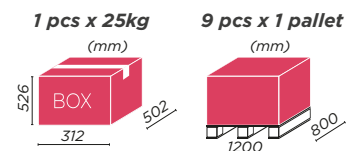
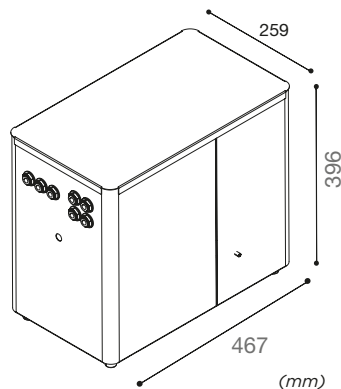


Naturizzatore Cod MCF-M003

**Features**

- Under counter water dispenser with 2 or 3 selections: room temperature water, cold and cold sparkling water
- Ice bank cooling technology (Isotech Plus isolation technology)
- Rotomoulded technology
- Skin plate housing

Code	Description	Cooling system	Compressor power	Water tank capacity	Dispensing capability	Carbonation pump	Carbonator capacity	Connections	Ricirculation	€
			hp	l	l/h		l	In/Out		
MNPT16PR290	Mini Neptun SW	Ice bank	1/6	6	50	Volumetric 150l/h	0,5	CO <sub>2</sub> IN 6mm H <sub>2</sub> O IN 8mm	8mm	



JUMBO 13 UNDER COUNTER DISPENSER

80 l/h

SW



CA



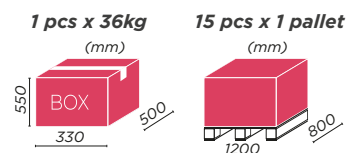
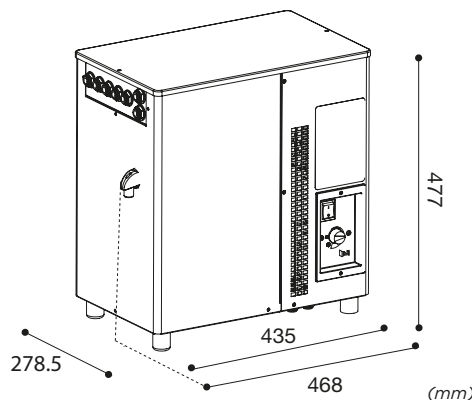
Naturizzatore Cod MCF-M003



• Features

- Under counter water dispenser with 2 or 3 selections of room temperature water, cold and cold sparkling water
- Ice bank cooling technology
- Stainless steel housing

Code	Description	Cooling system	Compressor power	Water tank capacity	Dispensing capability	Carbonation pump	Carbonator capacity	Connections	Ricirculation	€
			hp	l	l/h		l	In/Out		
18276	Jumbo 13 SW connessioni STD STD connections	Ice bank	1/8	13	80	Volumetric 150l/h	1	CO <sub>2</sub> IN 3/8" H <sub>2</sub> O IN 3/8"	3/8"	



19.0

Dispenser for domestic and professional use. Accessories

# INFINITI PRO TOP COUNTER DISPENSER

**BEVCO**

**90 l/h**

**Attractive design with aluminum finishes**  
**2 separate dispensing points that can work simultaneously**  
**Programmable doses**

Dispenser for domestic and professional use. Accessories

19.0



**SW**



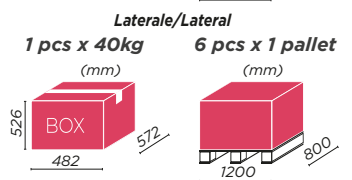
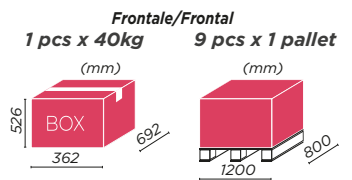
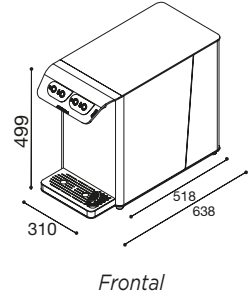
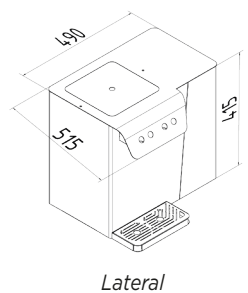
**CA**



**Features**

- Counter top water dispenser with 2 or 3 selections for cold, sparkling and room temperature water
- 2 portion controls for both cold and sparkling water, which can be dispensed simultaneously
- Ice bank
- 6 piezoelectric buttons. Front or side dispensing
- Available in 3 versions: front dispensing 3 selections, side dispensing 3 selections, front dispensing 2 selections
- External casing made in aluminum and stainless steel

Code	Description	Cooling system	Compressor power	Water tank capacity	Dispensing capability	Carbonation pump	Carbonator capacity	Connections	Ricirculation	€
			hp	l	l/h		l	In/Out		
INF14143SPR2	Infinity Pro Frontal	Ice bank	1/4	14	90	Volumetric 150l/h	1	Tubi/Pipe IN 3/8"	-	
INF1414L3SPR2	Infinity Pro Laterale	Ice bank	1/4	14	90	Volumetric 150l/h	1	Tubi/Pipe IN 3/8"	-	



(mm)

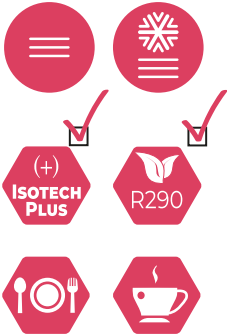
# NEPTUN LUX TOP COUNTER DISPENSER

90 l/h

SW



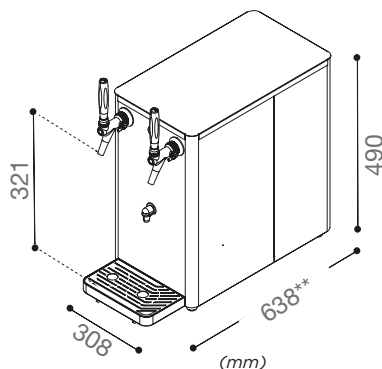
CA



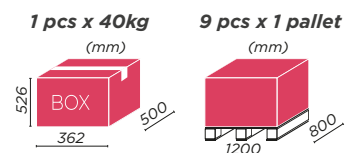
### Features

- Counter top water dispenser for cold, sparkling and room temperature water
- Ice bank technology (Isotech insulation technology)
- Equipped with 3 plastic taps and drip tray
- External housing in satin-finished stainless steel, lid in polished stainless steel.

Code	Description	Cooling system	Compressor power	Water tank capacity	Dispensing capability	Carbonation system	Carbonator capacity	Connections	Ricirculation	€
			hp	l	l/h		l	In/Out		
NPTS1414LXPR290	Neptun Lux	Ice bank	1/4	14	90	Volumetric 150l/h	-	CO <sub>2</sub> Tubi/Pipe IN 3/8" H <sub>2</sub> O IN 3/8"	-	
NPTS1414LXPR2RI	Neptun Lux ITP	Ice bank	1/4	14	90		1		-	
NPTCA1414LXP	Neptun Lux CA	Ice bank	1/4	14	90				-	



\*\*515 without drip tray



19.0

Dispenser for domestic and professional use. Accessories

NEPTUN UNDER COUNTER DISPENSER

90 l/h

19.0

Dispenser for domestic and professional use. Accessories

SW



CA



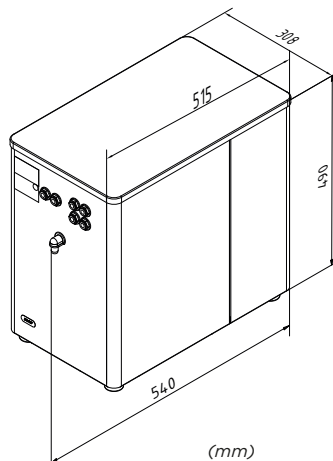
ADVISED Page 418



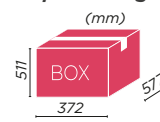
Features

- Under counter water dispenser with 2 or 3 selections: room temperature water, cold and cold sparkling water
- Ice bank cooling technology (Isotech Plus isolation technology)
- Rotomoulded technology
- Skin plate housing

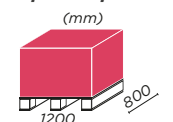
Code	Description	Cooling system	Compressor power	Water tank capacity	Dispensing capability	Carbonation pump	Carbonator capacity	Connections	Ricirculation	€
			hp	l	l/h		l	In/Out		
NPT1414PCAR290	Neptun CA	Ice bank	1/4	14	90	-	-	Ø 3/8"	Ø 3/8"	
NPT1414PR290	Neptun SW	Ice bank	1/4	14	90	Volumetric 120l/h	1	Ø 3/8"	Ø 3/8"	



1 pcs x 40kg



9 pcs x 1 pallet



AQUAVERT 20 UNDER COUNTER DISPENSER

90 l/h

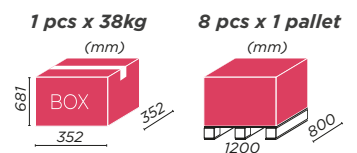
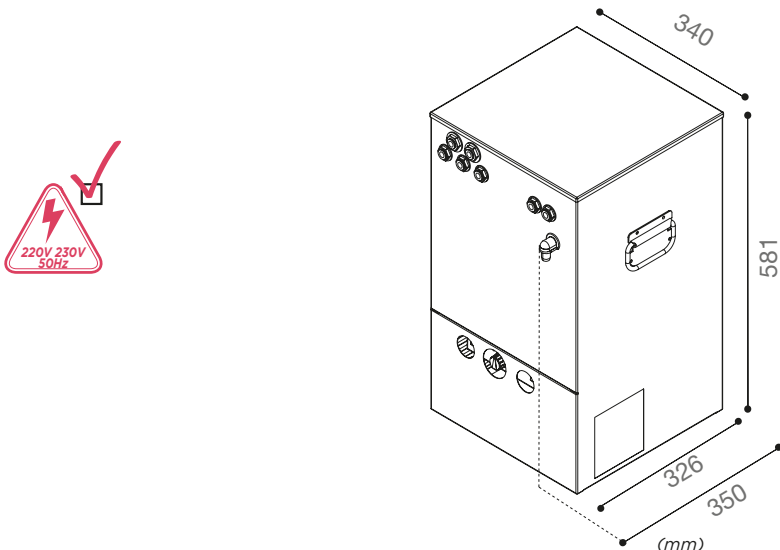
SW



Features

- Under counter water dispenser with 3 selections: room temperature water, cold and cold sparkling water
- Ice bank cooling technology (Isotech insulation technology)
- Rotomoulded technology
- Skin plate housing

Code	Description	Cooling system	Compressor power	Water tank capacity	Dispensing capability	Carbonation pump	Carbonator capacity	Connections	Ricirculation	€
			hp	l	l/h		l	In/Out		
AQV1520LR2	Aquavert 20	Ice bank	1/6	20	90	Volumetric 150l/h	1	Ø 3/8"	Ø 1/2"	



19.0

Dispenser for domestic and professional use. Accessories



# DANUBIO TOP COUNTER DISPENSER

**BEVCO**

**120 l/h**

19.0

Dispenser for domestic and professional use. Accessories

SW



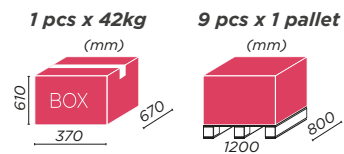
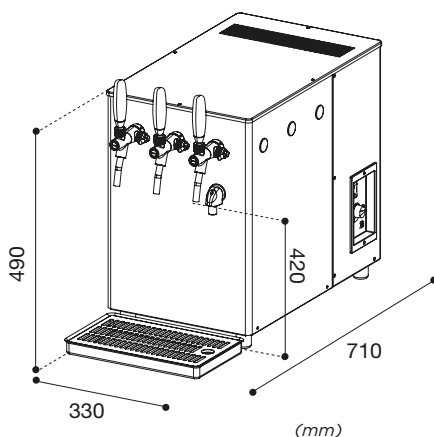
Naturizzatore Cod MCF-M003



**Features**

- Counter top water dispenser for cold/sparkling/room temperature water
- Ice bank technology
- External housing in stainless steel

Code	Description	Cooling system	Compressor power	Water tank capacity	Dispensing capability	Carbonation pump	Carbonator capacity	Connections	Ricirculation	€
			hp	l	l/h		l	In/Out		
18270	Danubio top counter SW	Ice bank	1/4	20	120	Rotary 300l/h	1,2	CO <sub>2</sub> IN 3/8" H <sub>2</sub> O IN 3/8"	-	



JUMBO 20 UNDER COUNTER DISPENSER

120 l/h

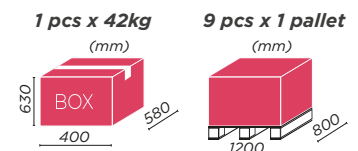
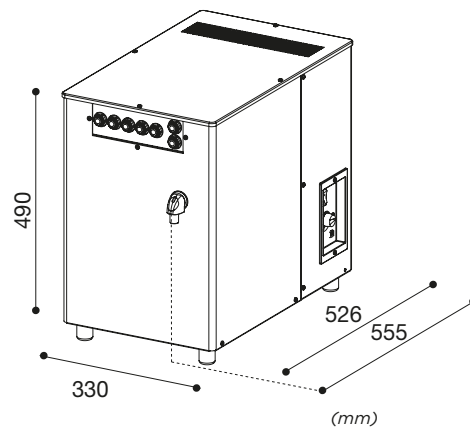
SW



Features

- Under counter water dispenser with 3 selections of room temperature water, cold and cold sparkling water
- Ice bank cooling technology
- Stainless steel housing

Code	Description	Cooling system	Compressor power	Water tank capacity	Dispensing capability	Carbonation pump	Carbonator capacity	Connections	Ricirculation	€
			hp	l	l/h	l/h	l	In/Out		
18283	Jumbo 20 SW	Ice bank	1/4	20	120	Volumetric 300l/h	1,2	CO <sub>2</sub> IN 3/8" H <sub>2</sub> O IN 3/8"	3/8"	



19.0

Dispenser for domestic and professional use. Accessories

# AQUAVERT 36 UNDER COUNTER DISPENSER

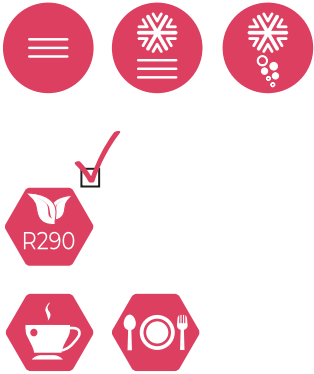
**BEVCO**

**140 l/h**

**19.0**

Dispenser for domestic and professional use. Accessories

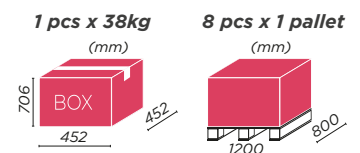
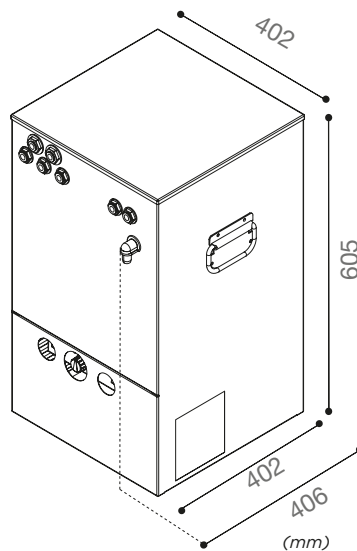
SW



**Features**

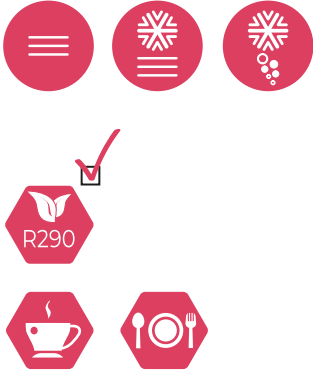
- Under counter water dispenser with 3 selections: room temperature water, cold and cold sparkling water
- Ice bank cooling technology (Isotech insulation technology)
- Rotomoulded technology
- Skin plate housing

Code	Description	Cooling system	Compressor power	Water tank capacity	Dispensing capability	Carbonation pump	Carbonator capacity	Connections	Ricirculation	€
			hp	l	l/h		l	In/Out		
AQV1436LR290	Aquavert 36	Ice bank	1/4	36	140	Volumetric 300l/h	1	CO <sub>2</sub> IN 3/8" H <sub>2</sub> O IN 3/8"	-	



**SMART MIX UNDER COUNTER DISPENSER**

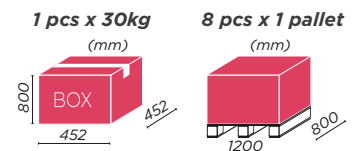
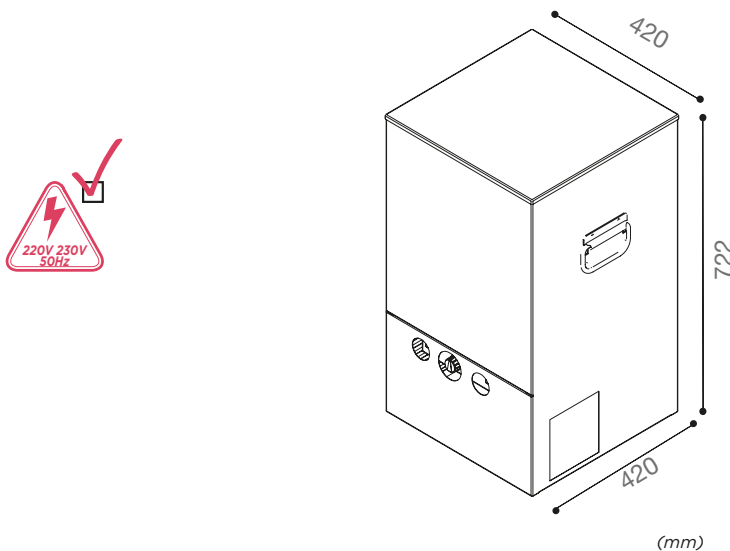
SW



**Features**

- Under counter water dispenser with 3 selections: room temperature water, cold and cold sparkling water
- Ice bank cooling technology
- Rotomoulded technology
- Skin plate housing

Code	Description	Cooling system	Compressor power	Water tank capacity	Dispensing capability	Carbonation pump	Carbonator capacity	Connections	Ricirculation	€
			hp	l	l/h		l	In/Out		
ECO1336LP2TR2PMIX	Amart Mix	Ice bank	1/3	36	160	Volumetric 300l/h	1	CO <sub>2</sub> IN 3/8" H <sub>2</sub> O IN 3/8"	-	



19.0 Dispenser for domestic and professional use. Accessories

# AURORA COUNTER FLOOR STANDING DISPENSER

**It can accommodate:** - filter system  
- cylinder up to 4 kg

**BEVCO**

**80 l/h**

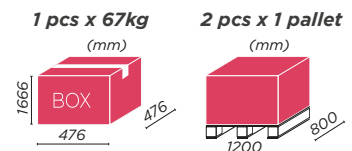
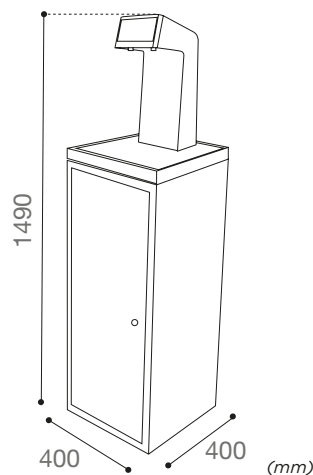
SW



**Features**

- Floor standing dispenser for cold/sparkling/room temperature water
- It can accommodate: - filter system - cylinder up to 4 kg
- Ice bank
- Dispensing system with volumetric volume dosage: 2 volumes (glass - bottle) for each of the 3 selections
- External housing in stainless steel

Code	Description	Cooling system	Compressor power	Water tank capacity	Dispensing capability	Carbonation pump	Carbonator capacity	Connections	Ricirculation	€
			hp	l	l/h	l/h	l	In/Out		
18265	Aurora IX FTBGI/SNA +FR+FF +EDEN NG	Ice bank	1/5	13	80	Volumetric 300l/h	1,2	CO <sub>2</sub> IN 8mm H <sub>2</sub> O IN 3/8"	-	
18357	Aurora IX FTBGI/SNA +FR+FF +EDEN NG+UV	Ice bank	1/5	13	80	Volumetric 300l/h	1,2	CO <sub>2</sub> IN 8mm H <sub>2</sub> O IN 3/8"	-	



Dispenser for domestic and professional use. Accessories

19.0

# AURORA PLUS COUNTER FLOOR STANDING DISPENSER

Filter head included  
 Debacterising included  
 Drip tray connected directly to the drain

**120 l/h**

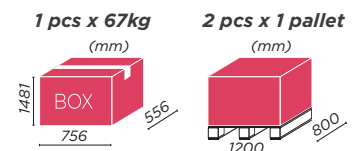
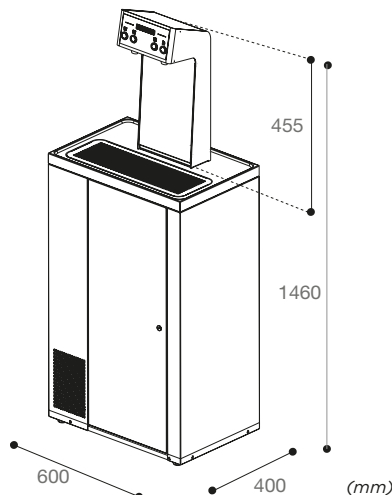
**SW**

**Features**

- Floor standing dispenser for cold/sparkling/room temperature water
- It can accommodate: - filter system - UV lamp - cylinder up to 10 kg
- Ice bank
- Dispensing system with volumetric volume dosage: 2 volumes (glass - bottle) for each of the 3 selections
- External housing in stainless steel

Code	Description	Cooling system	Compressor power	Water tank capacity	Dispensing capability	Carbonation pump	Carbonator capacity	Connections	Ricirculation	€
			hp	l	l/h	l/h	l	In/Out		
18261	Aurora Plus +EDEN NG FTBG1/3NA+ FR+FF	Ice bank	1/3	20	120	Volumetric 300l/h	1,2	H <sub>2</sub> O IN 3/8" -		
18550*	Aurora Plus+ EDEN BG1/3NA+ FR+FF R290	Ice bank	1/3	20	120	Volumetric 300l/h	1,2	H <sub>2</sub> O IN 3/8" -		

Complete with Engiko card payment system and coin acceptor


**19.0**

Dispenser for domestic and professional use. Accessories



# COMBI ADA COUNTER FLOOR STANDING DISPENSER

**240 l/h**

High dispensing performance: 240 l/h  
 Compact dimensions  
 Minimal design suitable for factory or school canteens  
 Savings in economical and ecological terms

**SW**



Built-in version



Cabinet

**• Features**

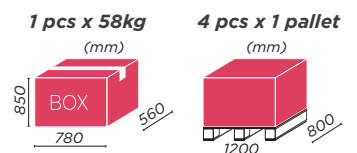
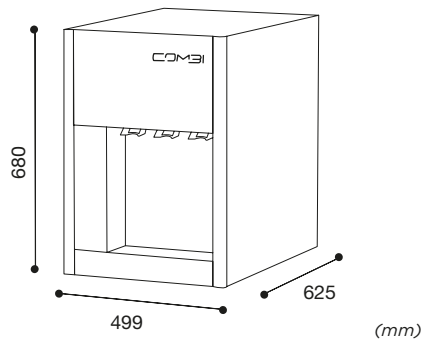
- Water dispenser for cold still and cold sparkling water. Cold lightly sparkling water as an optional
- 2 portion controls for each type of water
- UV lamps on taps
- Ice bank technology
- Available in the built-in version
- External housing in stainless steel

Code	Description	Cooling system	Compressor power	Water tank capacity	Dispensing capability	Carbonation pump	Carbonator capacity	Connections	Ricirculation	€
------	-------------	----------------	------------------	---------------------	-----------------------	------------------	---------------------	-------------	---------------	---

			hp	l	l/h	l/h	l	In/Out		
N28309	Combi Ada	Ice bank	1/2	60	240	Volumetric 300l/h	2,5	Anilox tube 4x8mm H <sub>2</sub> O IN 3/8"	-	
N28324	Combi Ada Cashless payment	Ice bank	1/2	60	240	Volumetric 300l/h	2,5	-	-	

Code	Description	Height	Width	Depth	€
------	-------------	--------	-------	-------	---

		mm	mm	mm	
N277761	Standard cabinet with wheels	925	504	651	
N27902	Combi Cabinet	870	499	625	



Dispenser for domestic and professional use. Accessories

19.0

MIGNOLO MIX UNDER COUNTER DISPENSER

200 l/h



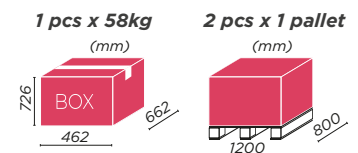
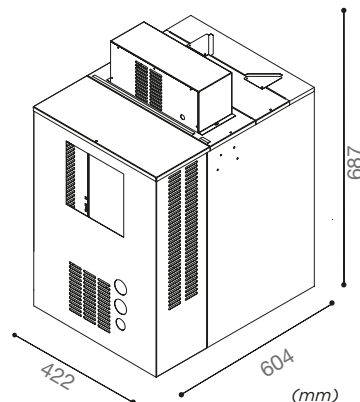
SW



Features

- Under counter water dispenser with 2 selections: cold and cold sparkling water
- Ice bank cooling technology (Isotech insulation technology)
- Rotomoulded technology
- Skin plate housing (Stainless Steel version available)

Code	Description	Cooling system	Compressor power	Water tank capacity	Dispensing capability	Carbonation pump	Carbonator capacity	Connections	Ricirculation	€
			hp	l	l/h	l/h	l	In/Out		
MIGX1260LP2TR2	Mignolo Mix Skin Plate	Ice bank	1/2	60	200	Volumetric 300l/h	2	Ø 3/8" Ø 1/2"		



19.0

Dispenser for domestic and professional use. Accessories

# MAGO MIX UNDER COUNTER DISPENSER

**BEVCO**

**300 l/h**

Available in version with double still/cold water outlet and double cold/carbonated water outlet

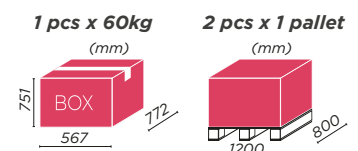
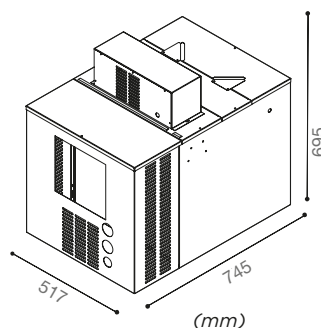
SW



**Features**

- Under counter water dispenser with 2 selections: cold and cold sparkling water
- Ice bank cooling technology
- Skin plate housing (Stainless Steel version available)

Code	Description	Cooling system	Compressor power	Water tank capacity	Dispensing capability	Carbonation pump	Carbonator capacity	Connections	Ricirculation	€
			hp	l	l/h	l/h	l	In/Out		
MGX1290LP2TR2CU	Mago Mix LT ITM 2 cold +2 soda	Ice bank	1/2	90	300	Volumetric 300l/h	2	Ø 3/8"	Ø 1/2"	
MGX1290LPNTO2TR2	Mago Mix NTO Double thermostat R290	Ice bank	1/2	90	300	Volumetric 300l/h	2	Ø 3/8"	Ø 1/2"	



Dispenser for domestic and professional use. Accessories

19.0

# PARTY MIX UNDER COUNTER DISPENSER

350 l/h

Available version complete with dispensing tower

SW



• PARTY MIX vers. inox

Features

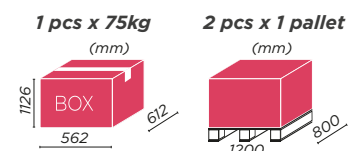
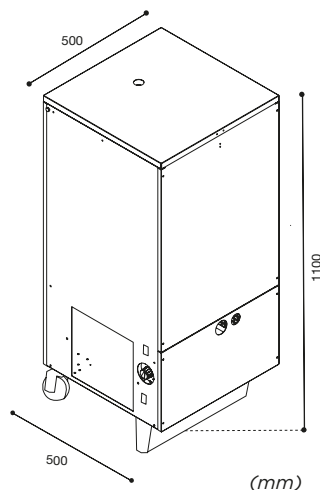
- Mobile water dispenser with 3 selections: room temperature water, cold and cold sparkling water
- Ice bank cooling system
- Complete with CO<sub>2</sub> pressure regulator, side fixing and high pressure hose
- Skin plate housing available in two versions: with tower model Princess 3 outs or prepared for distance dispensing point (Stainless steel housing prepared only for distance dispensing point available)

Code	Description	Cooling system	Compressor power	Water tank capacity	Dispensing capability	Carbonation pump	Carbonator capacity	Connections	Ricirculation	€
			hp	l	l/h	l/h	l	In/Out		
PAR190LPCR2***	Party Mix Skin Plate	Ice bank	1	90	350	Volumetric 300l/h	2	Ø 3/8"	Ø 1/2"	
PAR190LPCSS**	Party Mix Stainless steel	Ice bank	1	90	350	Volumetric 300l/h	2	Ø 3/8"	Ø 1/2"	
PAR190LPCPRIN3*	Party Mix Stainless steel	Ice bank	1	90	350	Volumetric 300l/h	2	Ø 3/8"	Ø 1/2"	

\*\*\* Without column - \*\* Without column - \* with Skin Princess 3-way column



\*1500 with font Princess 3 lines



19.0

Dispenser for domestic and professional use. Accessories

# V200 MITAR UNDER COUNTER DISPENSER

**BEVCO**

350 l/h

**NEW**

19.0

Dispenser for domestic and professional use. Accessories

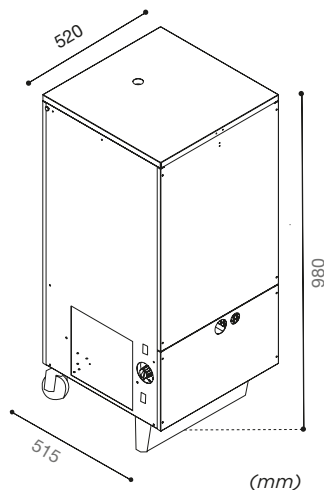
SW



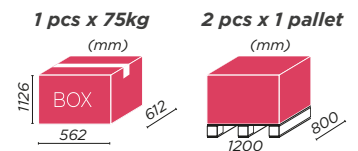
**• Features**

- Mobile water dispenser with 3 selections: room temperature water, cold and cold sparkling water
- Ice bank cooling system
- Skin plate housing.

Code	Description	Cooling system	Compressor power	Water tank capacity	Dispensing capability	Carbonation pump	Carbonator capacity	Connections	Ricirculation	€
			hp	l	l/h	l/h	l	In/Out		
V200MITAR2PMIX	V200MITAR MIX Skin Plate	Ice bank	1	90	350	Volumetric 300l/h	2	Ø 3/8"	Ø 1/2"	



\*1500 with font Princess 3 lines

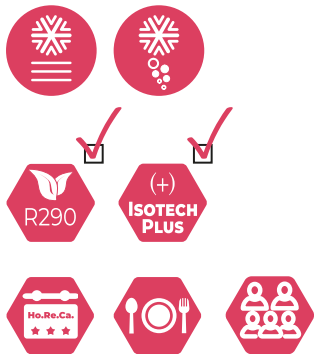


# MONSTER NIX UNDER COUNTER DISPENSER

400 l/h

Available in version with double still/cold water outl and double cold/carbonated water outlet

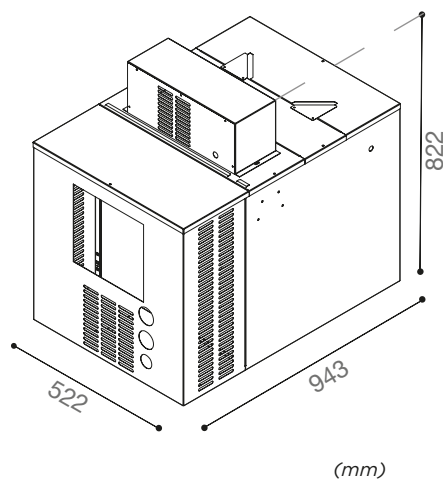
SW



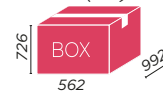
### Features

- Under counter water dispenser with 2 selections: cold water + 2 selections: cold sparkling water
- Ice bank cooling technology (Isotech insulation technology)
- Rotomoulded technology
- Skin plate housing (Stainless Steel version available)

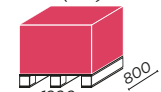
Code	Description	Cooling system	Compressor power	Water tank capacity	Dispensing capability	Carbonation pump	Carbonator capacity	Connections	Ricirculation	€
			hp	l	l/h	l/h	l	In/Out		
MNX1651HPPD	Monster Mix Skin Plate	Ice bank	1	165	400	Volumetric 300l/h	2x2	Ø 3/8"	Ø 1/2"	



1 pcs x 105kg (mm)



1 pcs x 1 pallet (mm)



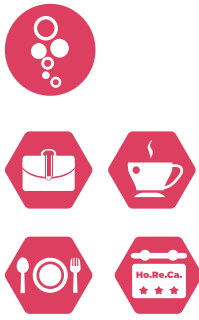
19.0

Dispenser for domestic and professional use. Accessories



# EXTERNAL HOT CARBONATOR

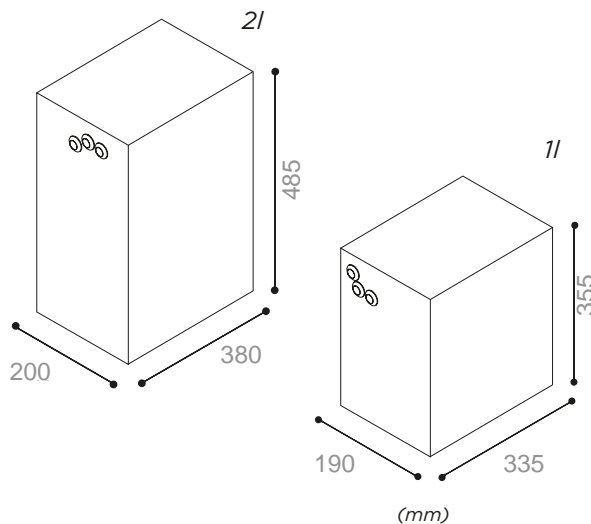
2 Lt/ 1Lt



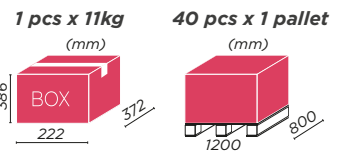
### Features

- Warm carbonators 1 and 2 liters to produce sparkling water at ambient temperature. Possible coupling with a separate cooler
- External fairing in white skin plate steel

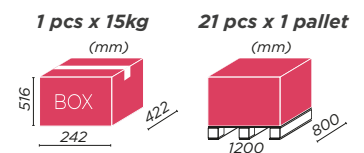
Code	Description	Cooling system	Compressor power	Water tank capacity	Dispensing capability	Carbonation pump	Carbonator capacity	Connections	Ricirculation	€
			hp	l	l/h	l/h	l	In/Out		
CARBC101	External hot carbonator 1l	-	-	-	-	Volumetric 300l/h	1	Ø 3/8"	-	
CARBC201	External hot carbonator 2l	-	-	-	-	Volumetric 300l/h	2	Ø 3/8"	-	



CARBC101



CARBC201



# EXTERNAL COLD CARBONATOR

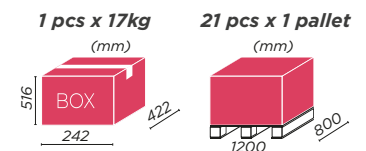
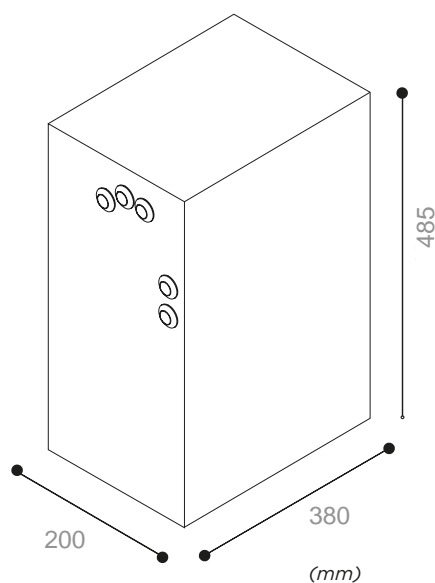
2 Lt



### Features

- External carbonator 2 liters to produce sparkling water. Possible coupling with a separate cooler
- External fairing in white skin plate steel
- To obtain higher carbonation levels, the appliance is equipped with a carbonator refrigeration system by recirculating the water from the cooling bath of the appliance to which it is combined

Code	Description	Cooling system	Compressor power	Water tank capacity	Dispensing capability	Carbonation pump	Carbonator capacity	Connections	Ricirculation	€
			hp	l	l/h	l/h	l	In/Out		
CARBF201	External cold carbonator 2l	-	-	-	-	Volumetric 300l/h	2	Ø 3/8"	Ø 3/8"	



19.0

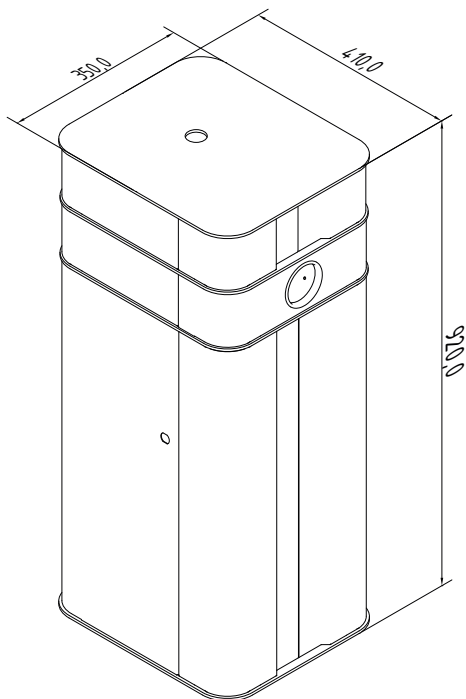
Dispenser for domestic and professional use. Accessories

## SUPPORT CABINET

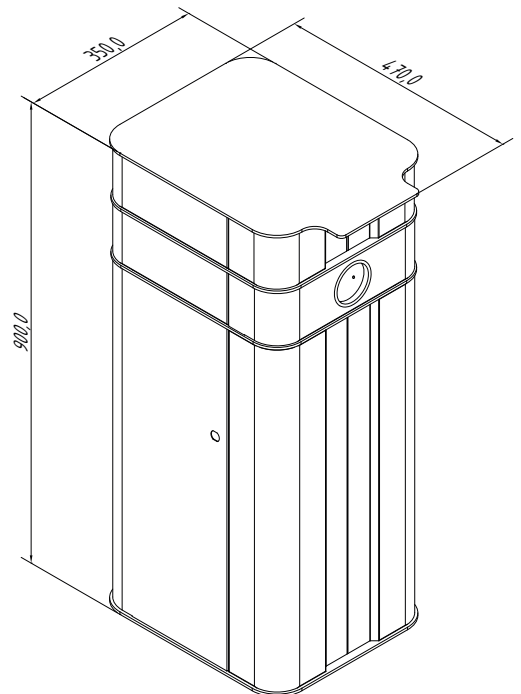
- Customizable universal support cabinet with additional shelf
- 3 shelves available to adapt to the size of the dispenser.
- External fairing in painted sheet metal, RAL9006 (grey)
- Complete with glass holder
- Shelves not included (they must be requested separately)



• RAL9006 (grigio)



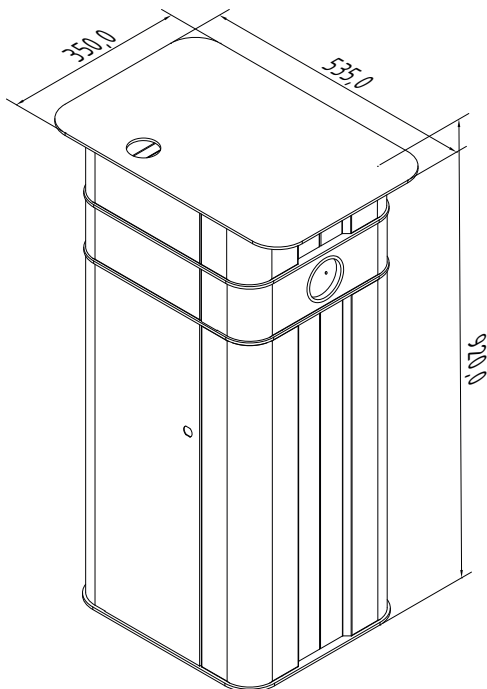
MOBINH20GSR+042244  
STANDARD



MOBINH20GSR+042296  
VENUS - PURITY

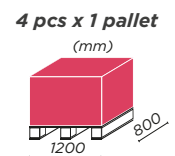
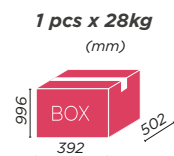
(mm)

<b>Code</b>	<b>Description</b>
MOBINH2OGSR	Shaped cabinet for Water Dispenser Gray RAL9006 - Without shelf with nut kit (350x410xh900)
042244	Painted cabinet top STANDARD black - (410x350 mm )
042296	Painted cabinet top for VENUS - PURITY - HIELO - black - (470x350 mm )
042309	Painted cabinet top for VENUS - PURITY - HIELO - black - (535x350 mm )
N27776-1	STANDARD support cabinet 50x65x95h with wheels for COMBI



MOBINH2OGSR+042309  
PT ICE 50 - INFINITY PRO - NEPTUN

(mm)



## KÄLLA VENDING DISPENSER

90 L/h

**SAVINGS:**

the solution that allows the greatest savings compared to the classic vending machines

**ACCESSIBILITY:**

KÄLLA is compatible with accessibility regulations for disabled people

**VERSATILITY:**

easy to install and customizable

**PRACTICALITY:**

No more storage or refill problems

**ECO-SUSTAINABILITY:**

Water at Km 0 and savings in terms of plastic use and CO<sub>2</sub> emissions

**TELEMETRY:**

KALLA provides the telemetry system as an option

**FILTRATION:**

on-board microfiltration system

**OPTIONAL:**

monitor video 15,6"



SW



**Features**

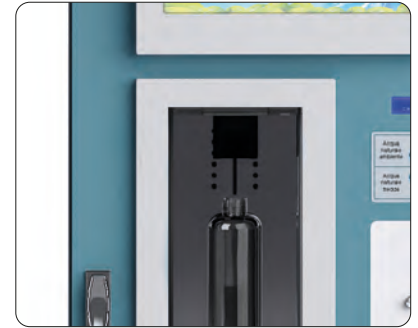
- Water dispenser for room temperature, cold, cold lightly sparkling and cold sparkling water
- Display (Optional: display video)
- Payment system executive version applicable
- UV lamps on taps
- Ice bank technology
- Shutoff system
- External housing in sheet metal painted



**Perfect fitting:** Top panel allowing equal height to other vending machines (H max 1,83 m)



**Customization:** Possibility of customisation of the backlit panels; The central panel can be replaced by a LCD display



**UV lamp:** Sterilisation effect that prevent bacteria growth



**Safe supply:** Compartment protected by a transparent sliding door



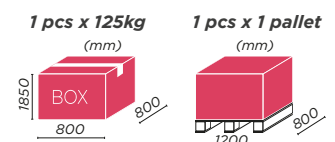
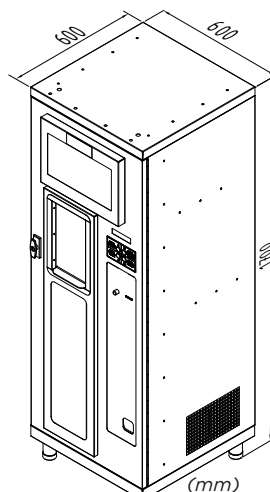
Payment system executive version applicable



**Eco-sustainability:** Water from the supply and savings in terms of use of plastic and CO<sub>2</sub> emissions

Code	Description	Cooling system	Compressor power	Water tank capacity	Dispensing capability	Carbonation pump	Carbonator capacity	Connections	Ricirculation	€
			hp	L	L/h	L/h	L	In/Out		
KLLBP05W*	Källa	Ice bank	1/6	20	90	Volumetric 150l/h	1	H <sub>2</sub> O IN 3/4"	-	
910029	Payment system kit, CARD reader and coin acceptor for KALLA									
N94505	Display advertising									
042620	Kit Top Panel									

\* Double water filter applicable-Payment system applicable





## FRONTS FOR VENDING DISPENSES

BEVCO

SW



Designed to be integrated into pre-existing buildings in masonry, steel and wood, into indoor and outdoor facilities, this water dispenser is supplied with a panel in stainless steel 304L and a water cooling and carbonating system.

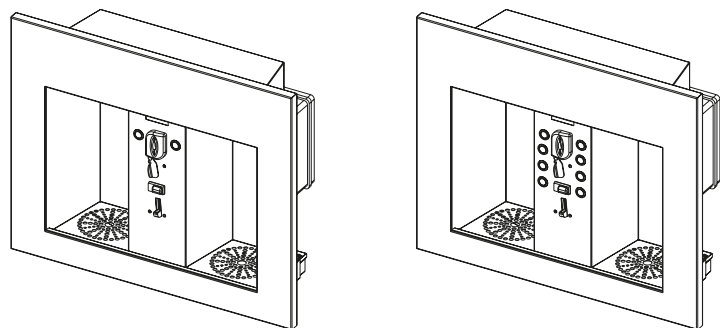
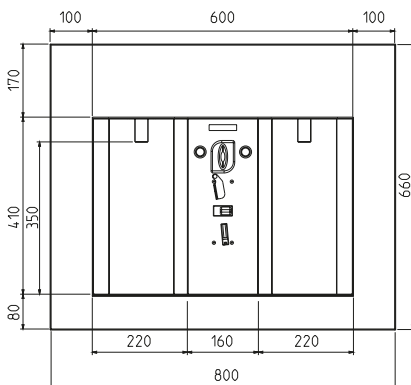
Born from the idea of promoting a culture of drinking water responsibility, public fountains are an important resource for the whole community. They dispense an unlimited and always-available amount of pure water, ready for instant consumption, still or sparkling in accordance with preference

### Features

- External sheet metal
- Cooling system
- Dispensing capacity
- Cooling capacity
- Dispensing capacity soda
- Carbonator capacity
- Carbonation pump
- Compressor
- Refrigerant gas
- Voltage
- Recirculation pump



Code	Description
SS012040	2 button vending front Front vending panel gold+gett+ekey+UV ng
SS017128	8 button vending front Front vending supply for home water with UV+gett+wk+gsm lamp



(mm)

## PROFESSIONAL FILTRATION SYSTEMS



**OCEANO Bayo heads**

**Pressure reducer**

**Water meter**

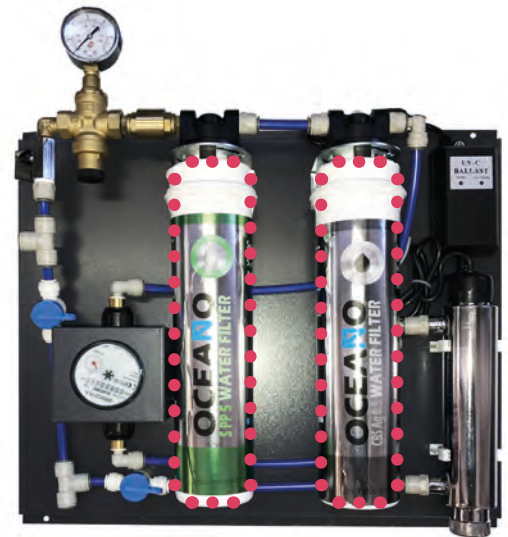
**By-pass**



BS040310



BS040315



BS040320

■ THE CARTRIDGES ARE TO BE ORDERED SEPARATELY ■

- These filtration systems are mounted on skin plated panels, suitable to H.Re.Ca., making controlling performance and parts replacements simple and easy.
- The flow meter is mechanical and cannot be reset.
- Designed specifically for professional use.
- Water pressure regulator included in all models.
- Available versions with or without UV sterilizers and with 1 or 2 filter heads.
- The 2 filter heads is recommended in case of high turbidity.
- The cartridges are to be ordered separately.
- Prefiltration: OK20 or OK30
- Filtration: OK10 or OK38

Code	Description	Height	Width	Depth	€
		mm	mm	mm	
BS040310	Professional filtration kit OCEANO with 1 filter head, flow meter and bypass (Oceano filter not included)	430+100	285	105	
BS040315	Professional filtration kit OCEANO with 1 filter heads, flow meter, UV sterilizer and bypass (Oceano filter not included)	430+50	380	105	
BS040320	Professional filtration kit OCEANO with 2 filter heads, flow meter, UV sterilizer and bypass (Oceano filters not included)	430+100	500	105	

19.0

Dispenser for domestic and professional use. Accessories

## WLINK REMOTE CONTROL

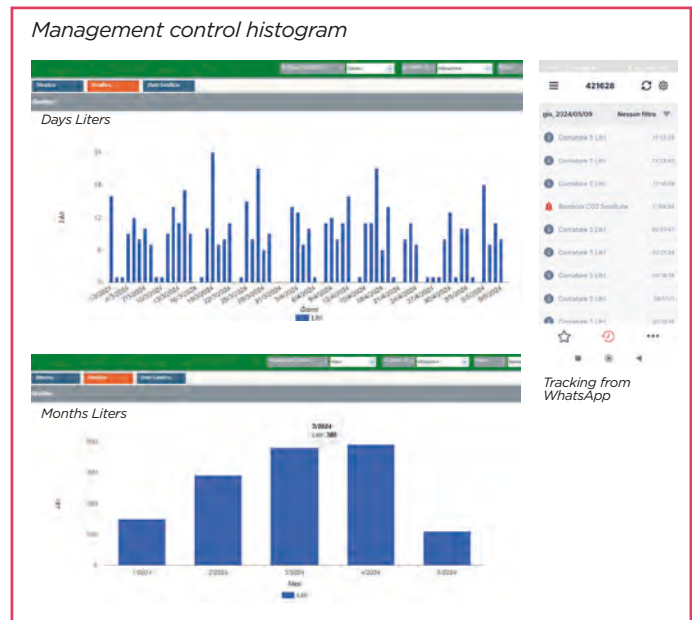
The CLOUD professional remote monitoring and control system for your water dispenser.

WLINK allows you to remotely manage the maintenance of water dispensers and boxes in a single screen on your computer or smartphone you can monitor via app the status of the connected control units.

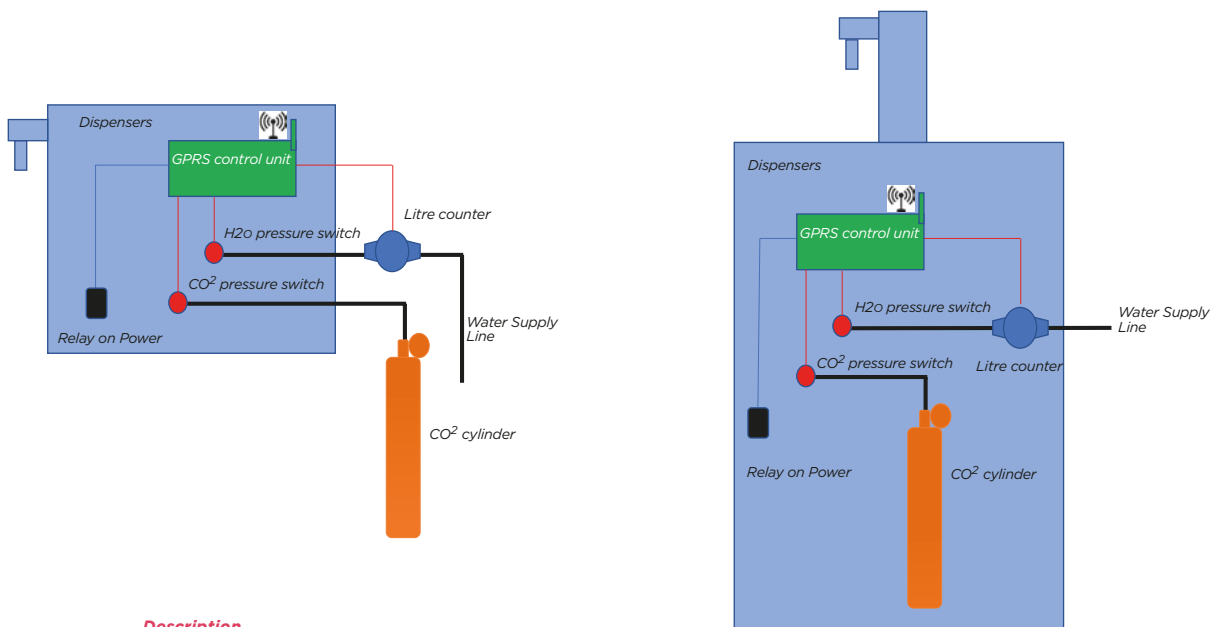
GPRS connection with Embedded SIM with renewable annual fee.

### Features

- No water alarm
- CO2 Low pressure alarm display cylinder replacement
- Display of liters dispensed, consumption statistics and graphs
- Remote switching on and off



chema di collegamento tipico/ Typical connection diagram



Code	Description
910013	WLINK MINI Bidirectional GPRS 3IN 1OUT/ monitoring equipment

Available on request on a selection of Waterline Dispensers-Bevco


19.0

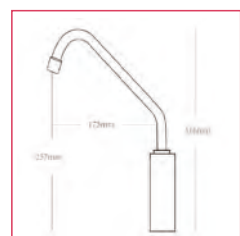

Dispenser for domestic and professional use. Accessories

# TAPS AND COLUMN ADDITIONAL MIXERS AND TAPS

Code Description

01021999	<b>Swan neck sampling tap 1 way</b>	
----------	-------------------------------------	-------------------------------------------------------------------------------------

01021998	<b>Swan-neck 2 ways tap</b>	
----------	-----------------------------	--------------------------------------------------------------------------------------

01021992CA	<b>Additional 3 way chrome plated high spout tap CA</b>		<p>Polished Chromed 3 way tap in 304 stainless steel with 3 knobs for the 3 delivered waters. An elegant and non-invasive silk-screen printing on the body identifies the type of water at the knobs. The design, the compact dimensions, the high quality of the materials make his model perfect for multiple enviroments, from the domestic to the professional.</p>	
------------	---------------------------------------------------------	-------------------------------------------------------------------------------------	-------------------------------------------------------------------------------------------------------------------------------------------------------------------------------------------------------------------------------------------------------------------------------------------------------------------------------------------------------------------------	---------------------------------------------------------------------------------------

01021992	<b>Additional 3-way faucet in chrome with high barrel made in Italy</b>	
----------	-------------------------------------------------------------------------	---------------------------------------------------------------------------------------

01021993	<b>Additional 3-way faucet in chrome with low barrel made in Italy</b>	
----------	------------------------------------------------------------------------	---------------------------------------------------------------------------------------

19.0

Dispenser for domestic and professional use. Accessories

## MIXER AND ADDITIONAL TAPS

**Code**      **Description**

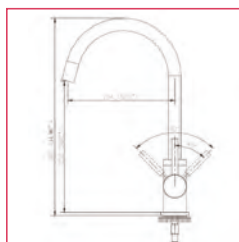
O1021991      **Chrome-plated single handle mixer 3 ways tap made in Italy, only for threated water**



O1021988      **Chrome-plated 3 way electric faucet in goose neck made in Italy**



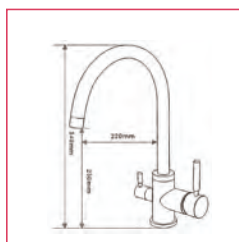
O1021990CA      **Chrome-plated 3 way mixer with curved spout CA**



3 Way faucet completely polished chrome or satined, with a high and curved spout structure. The modern but extremely elegant design makes it versatile and perfect for all enviroments and kitchens. Particularly appreciated for its soft and decisive lines, it is ideal for large and deep washbasins.



O1021990CAS      **3 way satin mixer with curved spout-satin CA**



3-way satin version, truly functional and versatile. The particular workmanship means that it also pairs perfectly with kitchens with a less modern style. The tall and curved swan body is especially appreciated in the case of large and deep sinks; the solid structure is designed and tested to maintain excellent performance over time.



O1021990      **3-way chrome-plated mixer with high barrel made in Italy Hot/cold and threated**



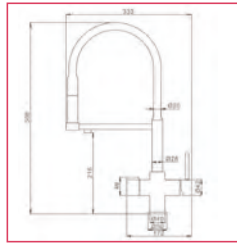


## MIXER ADDITIONAL

Codice/ Code    Descrizione/ Description

O1021981CA

Chrome-plated 3-way mixer with extractable hand shower with black silicone hose CA

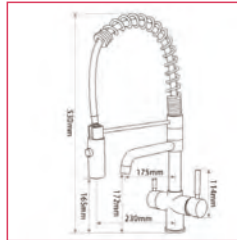


3-way tap with exclusive double swan: one rigid for purified water and one with extractable hand shower in food-grade black rubber for the two mains water. Ideal for kitchens with a large bucket or double basin, perfect for modern environments and for inserting a design element into your living area.



O1021982CA

Chrome-plated 3-way mixer with extractable hand shower CA

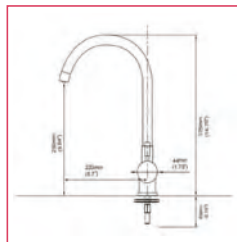


5 Way double swan faucet, one of which is rigid for treated water and one with removable shower head in flexible metal mesh for the two mains water. With it you can have various types of treated water without going to overturn the top of your kitchen



CAR4329-SK

3-way satin mixer with foldable curved spout CA



Particular 3-way model with completely foldable and 360° rotatable structure. The elegant and modern design makes it perfect for kitchens of all types, in particular for environments where it is necessary to reduce the neck to make the most of the space. Thanks to the mechanism for selecting the water available via a single lever between treated and mains water.



**NEW**

CAR4101-P

3-way satin mixer with foldable curved spout CA

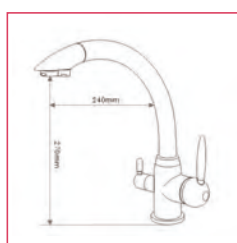
Modern and elegant 3-way tap, particularly appreciated for its design and performance. Consisting of 2 levers of different sizes, it can comfortably dispense 3 types of water, 3-way taps like this one perfectly camouflage their dual purpose: to take cold and hot water from the network and deliver treated water directly from the system.



**NEW**

CAR4104-P

3 way satin mixer with curved spout-satin CA



3-way satin version, truly functional and versatile. The particular workmanship means that it also pairs perfectly with kitchens with a less modern style. The half-curved body is appreciated both in normal and large sinks. The solid structure is designed and tested to maintain excellent performance over time.



19.0

Dispenser for domestic and professional use. Accessories



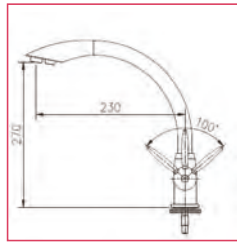
## MIXER ADDITIONAL

Code Description

**NEW**

CAR4204-P

**3 way satin mixer with curved spout-satin CA**

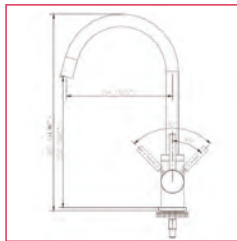


3-way satin version, truly functional and versatile. The particular workmanship means that it also pairs perfectly with kitchens with a less modern style. The half-curved body is appreciated both in normal and large sinks. The solid structure is designed and tested to maintain excellent performance over time.



O1021983CA

**Chrome-plated 4-way mixer with straight spout CA**

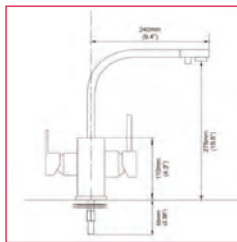


Modern and very elegant design for this 4-way tap model. The lines and its structure give character to any kitchen, carefully finished with rounded profiles, it dispenses mains water and the 2 treated waters available in total safety. Being equipped with a particular PU plastic tube, it dispenses carbonated water in total safety.



CAR4109-SK/4

**Chrome-plated 4-way mixer with flat spout CA**

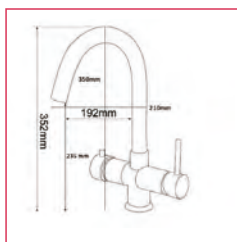


New version of 4-way mixer with flat and curved rectangular swan structure. Thanks to its refined design, it is perfect for modern kitchens that want to make the most of every accessory. Thanks to the dispensing technology for 4 types of water, you can easily obtain: hot or cold mains water, treated water and carbonated water directly from the purification system.



O1021994CA

**Chrome-plated 5 way mixer with curved spout CA**

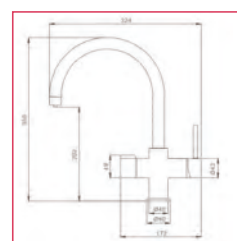


Modern 5 way with a really perfect design for any environment, it dispenses Hot and Cold mains water, ambient or cold treated water & Sparkling water. The exclusive click mechanism allows you to have the type of treated water you prefer by using a single lever. For the dispensing of sparkling water, the tube inside the swan is made of PU plastic.



O1021994CAS

**5 way satin mixer with curved spout CA**



Practical and at the same time modern 5-way tap for its curved and precise lines, it has two valves of different sizes for dispensing different waters. Adaptable to different environments including the most classic and basic ones, giving something extra to the context.



19.0

Dispenser for domestic and professional use. Accessories

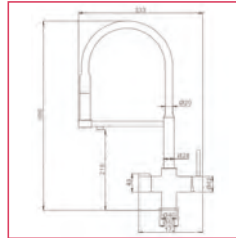
## MIXER ADDITIONAL

**Code**                      **Description**

O1021994                      **Chrome-plated 5 ways tap with high spout Made in Italy**



O1021984CA                      **5-way polished chrome mixer with extractable metal mesh hand shower CA**



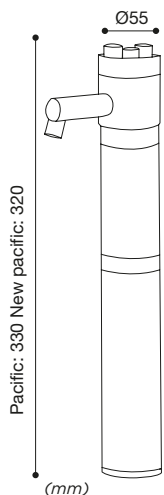
*Detail 3 way model with structure that can be completely overturned and rotated by 306 °. The elegant and modern design makes it perfect for kitchens of all types, especially for environments where it is necessary to pull down the neck to make the most of the space. Thanks to the mechanism for selecting the available water through a single lever between treated and mains water.*



**19.0**

*Dispenser for domestic and professional use. Accessories*

# COLUMN PACIFIC

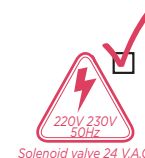
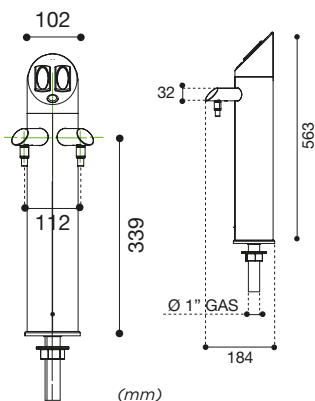


**Features**

- Font dispensing room temperature, cold and sparkling water
- Mechanical functioning
- Chrome-plated brass

Code	Description Tower	Tap	Dispensing points n°	Lines n°	Thread size	Connections ø mm
PCF1036	Chrome-plated brass	-	1	3	-	8

# ATLANTIC



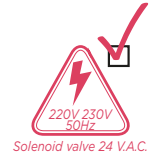
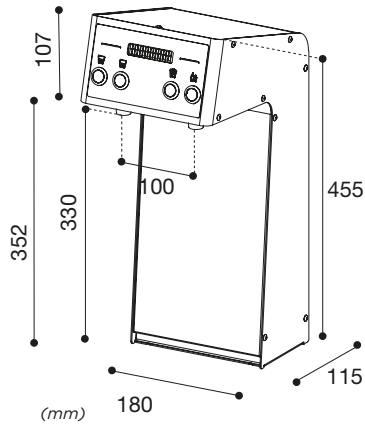
**Features**

- Font dispensing room temperature, cold and sparkling water
- Dispensing system with volume dosage: 2 volumes (glass/bottle) for cold still and sparkling water
- Electrical functioning
- Flow meter + electric valve
- Connectable to any mechanic under counter cooling system and to any filtration system
- Polished stainless steels

Code	Description Tower	Tap	Dispensing points n°	Lines n°	Thread size	Connections ø mm
ATL2*	ATLANTIC-Polished stainless	-	2	3	-	6
ATL2* 3SP	ATLANTIC-Polished stainless	-	2	3	-	6

\* Drip tray included

## EDEN NG

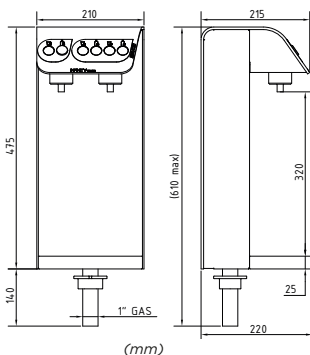
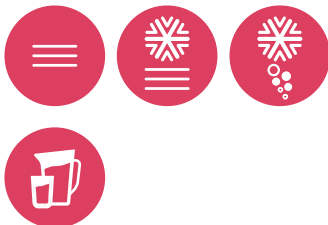


### Features

- Room temperature, cold, cold sparkling dispensing font
- Dispensing system with volume dosage: 2 volumes (small/large) on all 3 selections
- Simultaneous dispensing
- Labels and text settings can be personalized and are available in four language (Italian, English, Spanish, German)
- Possibility to set up alarms for filter replacement and water supply interruption
- Connectable to any mechanic under counter cooling system and to any filtration system
- Stainless steel

Code	Description	Tower	Tap	Dispensing points n°	Lines n°	Thread size	Connections ø mm
SS016227	Eden NG	Polished stainless steel	-	2	3	-	8

## INFINITY TOWER



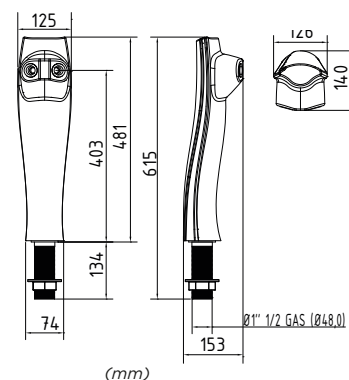
### Features

- Electronic dispensing tower for water at room temperature, cold, cold sparkling water
- 2 pre-dosages for each type of water, 2 dispensing points that can also be used simultaneously
- Tower in aluminum and stainless steel, with 6 piezoelectric buttons

Code	Description	Tower	Tap	Dispensing points n°	Lines n°	Thread size	Connections ø mm
INFT2	Infinity	Aluminium and stainless steel	Chrome	1	3	5/8"	8

## ALLEGRA

BEVCO



### Features

- Water font dispensing
- Mechanical taps
- In white polished vitreous material

Code	Description	Tower	Tap	Dispensing points	Lines	Thread size	Connections
				n°	n°		ø mm
ALL2VT588C*	Allegra	White	Chrome	2	2	5/8"	8

\* Taps and drip tray included

## PRINCESS

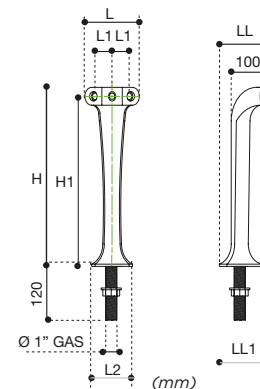
BEVCO



VIE LINES	L	L1	L2	LL	LL1	H	H1
1	65	65	105	90	120	382	367
2	90	40	105	100	120	390	368
3	160	50	120	135	130	400	380

### Features

- Water dispensing font
- Mechanical taps
- In polished chrome plated brass



Code	Description	Tower	Tap	Dispensing points	Lines	Thread size	Connections
				n°	n°		ø mm
PRS2CR588DFT*	Princess	Polished Chrome-plated brass	Polished stainless steel	2	2	5/8"	8
PRS2CR588CMB*	Princess	Polished Chrome-plated brass	Plastic	2	2	5/8"	8
PRS3CR588DFT*	Princess	Polished Chrome-plated brass	Polished stainless steel	3	3	5/8"	8
PRS3CR588CMB*	Princess	Polished Chrome-plated brass	Plastic	3	3	5/8"	8

Badge holders, spacers and drip tray included

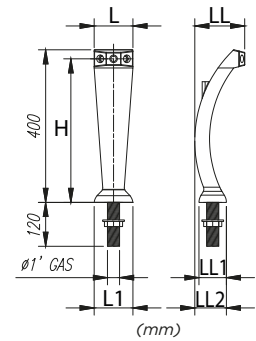
## EVOLUTION



VIE LINES	L	L1	LL	LL1	LL2	H
1	65	88	83	68	83	372
2	65	88	93	69	83	372
3	106	106	137	75	87	393

### Features

- Water dispensing font
- Mechanical taps
- In polished chrome plated brass



Code	Description	Tower	Tap	Dispensing points	Lines	Thread size	Connections
				n°	n°	5/8"	ø mm
EV1CR588DFT*	Evolution	Chrome-plated brass	Polished stainless steel	1	1	5/8"	8
EV1CR588CMB*	Evolution	Chrome-plated brass	Plastic	1	1	5/8"	8
EV2CR588DFT*	Evolution	Chrome-plated brass	Polished stainless steel	2	2	5/8"	8
EV2CR588CMB*	Evolution	Chrome-plated brass	Plastic	2	2	5/8"	8
EV3CR588DFT*	Evolution	Chrome-plated brass	Polished stainless steel	3	3	5/8"	8
EV3CR588CMB*	Evolution	Chrome-plated brass	Plastic	3	3	5/8"	8

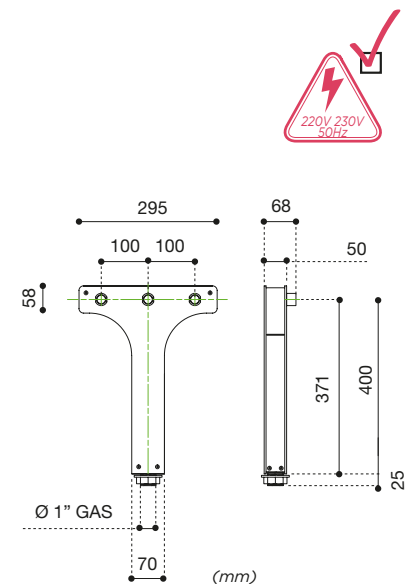
\* Badge holders, spacers and drip tray included

## SKY



### Features

- Water dispensing font
- Mechanical taps
- In brushed stainless steel
- Side led illumination



Code	Description	Tower	Tap	Dispensing points	Lines	Thread size	Connections
				n°	n°	-	ø mm
SKY3CR588CMB*	SKY	Brushed polished stainless	Plastic	1	4	-	6
SKY3CR588DFT*	SKY	Brushed polished stainless	Polished stainless	1	4	-	6

\* Spacers and drip tray included



# ACCESSORIES

## CO<sub>2</sub> TANKS FOR DOMESTIC AND PROFESSIONAL USE

19.0

Dispenser for domestic and professional use. Accessories



**Residual valve included from 1Kg upwards.**  
W 21.8-14 Thread.



**ACME 2G connection for 425 gr cylinders**

### Features

- Aluminum cylinders for food-grade CO<sub>2</sub>
- Steel cylinders for food-grade CO<sub>2</sub> E290
- TPed TUV certified, and E290 food-grade CO<sub>2</sub> can be supplied upon request.

**NEW**

Code	Description COMPLETE STEEL cylinders	Charge CO <sub>2</sub>	Diameter (mm)	Total H (mm)
890083	2 Kg STEEL CO <sub>2</sub> cylinder with residual valve - complete with CO <sub>2</sub>	2 Kg	103,5	540
890084	4 Kg STEEL CO <sub>2</sub> cylinder with residual valve - complete with CO <sub>2</sub>	4 Kg	136	630
890085	10 Kg STEEL CO <sub>2</sub> cylinder with residual valve - complete with CO <sub>2</sub>	10 Kg	154	860
Description EMPTY STEEL cylinders				
890083V	2 Kg STEEL CO <sub>2</sub> cylinder with residual valve - empty	2 Kg	103,5	540
890084V	4 Kg STEEL CO <sub>2</sub> cylinder with residual valve - empty	4 Kg	136	630
890085V	10 Kg STEEL CO <sub>2</sub> cylinder with residual valve - empty	10 Kg	154	860

Codice	Description COMPLETE ALUMINUM Cylinders	Charge CO <sub>2</sub>	Diameter (mm)	Total H (mm)
890070	CO <sub>2</sub> Cylinder 425g ALUMINUM - complete with CO <sub>2</sub>	425 Kg	60	335
890071	CO <sub>2</sub> Cylinder 1 kg ALUMINUM with residual valve - complete with CO <sub>2</sub>	1 Kg	89	410
890072	CO <sub>2</sub> Cylinder 1,5 kg ALUMINUM with residual valve - complete with CO <sub>2</sub> 1,5 kg	1,5 Kg	111	437
890073	CO <sub>2</sub> Cylinder 2 kg ALUMINUM with residual valve - complete with CO <sub>2</sub>	2 Kg	111	537
890074	CO <sub>2</sub> Cylinder 4 kg ALUMINUM with residual valve - complete with CO <sub>2</sub>	4 Kg	140	627
890075	CO <sub>2</sub> Cylinder 10 kg ALUMINUM with residual valve - complete with CO <sub>2</sub> 10 kg	10 Kg	203	737
RC01480W	FG CO <sub>2</sub> pressure reducer 1 way side connection+ar+jg			
Description EMPTY ALUMINUM Cylinders				
890070V	CO <sub>2</sub> Cylinder 425g ALUMINUM - EMPTY	425 Kg	60	335
890071V	CO <sub>2</sub> Cylinder 1 Kg ALUMINUM with residual valve - EMPTY	1 Kg	89	410
890072V	CO <sub>2</sub> Cylinder 1,5 Kg ALUMINUM with residual valve - EMPTY	1,5 Kg	111	437
890073V	CO <sub>2</sub> Cylinder 2 Kg ALUMINUM with residual valve - EMPTY	2 Kg	111	537
890074V	CO <sub>2</sub> Cylinder 4 Kg ALUMINUM with residual valve - EMPTY	4 Kg	140	627
890075V	CO <sub>2</sub> Cylinder 10 Kg ALUMINUM with residual valve - EMPTY	10 Kg	203	737

## ACCESSORIES

Code	Description	€
BTTH 252WL	Stainless steel thermos, 500ml Silver with WATERLINE, OCEANO, BEVCO logos	
BTTH252BWL	Stainless steel thermos, 500ml whitewith WATERLINE, OCEANO, BEVCO logos	
BTTUB50	Tubular bottle KEFASS trasparente glass 50 cl - H 205 Ø 68,7 mm (cap not included)	
BTTAPK	Cap for tubular bottle KEFASS 50 and 75	
BTTUB75	Tubular bottle KEFASS trasparente glass 75 cl - H 291,8 Ø 68,7 mm (cap not included)	
BTMAX50	Bottle MAXIMA RDB trasparente glass 50 cl - H 196,8 Ø 85 mm (cap not included)	
BTTAPM	Aliminium cap for bottle MAXIMA RDB	
BTMAX100	Bottle MAXIMA RDB trasparente glass 100 cl - H 243 Ø103,4 mm (cap not included)	
RCO148OW	CO2 Pressure reducer 1 way side connection, check valve and JG fitting 5/16"	



# 19.0

Dispenser for domestic and professional use. Accessories

## ACCESSORIES

19.0

Dispenser for domestic and professional use. Accessories

Code	Description	€
SR-371200	CO <sub>2</sub> Pressure reducer for disposable tank	
SR-490781	M11 adaptor for 1W21,8 for rechargeable tank	
090086	H <sub>2</sub> O Pressure reducer	
180008	Disposable 600g CO <sub>2</sub> tank	
SM004890	Shutoff valve Water Block 3/4F x 3/4M	
SM004891	External reset for Water Block shutoff valve	
CTLCMP	Water flow meter	
N94686	MICRO disposable reducer	



**NEW**





**Terms and conditions**

*For the general conditions of sale and warranty, please refer to the informatios in the section of the website [www.waterline.it](http://www.waterline.it)  
For further informations you can contact us at [info@waterline.it](mailto:info@waterline.it)*







**WaterLine®**

*All the Shapes of Water*

*WaterLine S.r.l.  
Via Caponnetto, 21  
42122 Reggio Emilia (RE)*

*[www.waterline.it](http://www.waterline.it)  
[info@waterline.it](mailto:info@waterline.it)  
+39 0522 626090*