





4.0

Click Valves

4.1 AUTOMATIC CLACK VALVES

78

VALVES CM	78
WS1CI VALVES	79
WS1EI VALVES	80
WS1CG VALVES	81
WS1TC VALVES	82
WS1.25CI VALVES	83
WS1.5PCI VALVES	84
WS1.5CI VALVES	85
WS2CI VALVES	86
WS2CI/QC VALVES	87
WS3 VALVES H	88
VALVES VTT1CI - VTT1CM TWIN	89
WS1CI - WS1CM DF DUPLEX VALVE SYSTEM	90
DUPLEX VALVE SYSTEM WS1.25CI - WS1.25 CM DF	90
WS1.5PCI DUPLEX VALVE SYSTEM	91
DUPLEX VALVE SYSTEM WS1.5CI - WS1.5CM DF	91
WS2CI - WS2CM DF DUPLEX VALVE SYSTEM	92
DUPLEX VALVE SYSTEM WS2CI QC - WS2CM QC DF	92
WS3 DUPLEX VALVE SYSTEM	93
MULTIVALVE CONTROL UNIT	93
MOTORISED 3-WAY VALVES	94
MOTORISED 2-WAY VALVES	94

4.2 CLACK ACCESSORIES

95

COUNTERS	95
FLOW CONTROL	95
FITTINGS KIT	96
BY-PASS - MIXING	97
SIDE/TOP MOUNTING ADAPTERS	97
CONNECTION CABLES	97
DIFFUSORS	97
AUXILIARY MICROSWITCH KIT	98
VARIOUS	99

4.3 CLACK SPARE PARTS AND EXPLODED VIEWS

99

SPARE PARTS TIMER CI - CM - TWIN	99
TC TIMER SPARE PARTS	100
SPARE PARTS VALVE BODY 1" - 1"1/4 CI - CM	101
SPARE PARTS INLET VALVE FITTING 1" - 1"1/4 CI - CM	102
SPARE PARTS 3/4" EXHAUST UNIT FOR VALVE 1" - 1" 1/4 CI - CM	103
SPARE PARTS EXHAUST FITTING 1" FOR VALVE 1" - 1" 1/4 CI - CM	104
SPARE PARTS EXHAUST VALVE UNIT 1" 1/2 PLASTIC CI - CM	105
SPARE PARTS TWIN BODY CI - CM	106
INJECTOR UNIT SPARE PARTS FOR 1" - 1" 1/4 - TWIN	107
INJECTOR UNIT SPARE PARTS FOR 1" 1/2 PLASTIC - TWIN	108
TURBINE SPARE PARTS FOR 1" - 1" 1/4 - TWIN	109
SPARE PARTS VALVE BODY 1" 1/2 PLASTIC CI - CM	110
SPARE PARTS VALVE BODY 1" 1/2 CI - CM	111
SPARE PARTS VALVE BODY 2" CI - CM	112
SPARE PARTS VALVE BODY 2" QC CI - CM	113
SPARE PARTS SUCTION UNIT 1" 1/2 PLASTIC CI - CM	114
SPARE PARTS SUCTION UNIT 1" 1/2	115
2" INTAKE UNIT SPARE PARTS	116
SPARE PARTS VALVE BODY 3"	117
3H TIMER SPARE PARTS NEW	118
SUCTION UNIT SPARE PARTS 3H	119
SPARE PARTS 2-WAY VALVE 1" & 1.25" FF FM	120
SPARE PARTS 2-WAY VALVE 1.5" PLASTIC	121
SPARE PARTS 2-WAY VALVE 1.5"	122
SPARE PARTS 2-WAY VALVE 2"	123
SPARE PARTS 2-WAY VALVE 3"	124
SPARE PARTS 3-WAY VALVE 1" & 1.25" FF MM	125
SPARE PARTS 3-WAY VALVE 1.5" PLASTIC	126
SPARE PARTS 3-WAY VALVE 1.5" 3H	127
SPARE PARTS 3-WAY VALVE 2"	128
SPARE PARTS 3-WAY VALVE 3"	129
ADJUSTMENT TABLE FOR SOFTENERS	130

4.1 AUTOMATIC CLACK VALVES



VALVES CM

They are programmable with dry vat or std, UF or DF regeneration system (depending on the type of version used). If dry vat UF is programmed, proportional regeneration can be set. The display is backlit. The language is in Italian. A time alarm for maintenance (quarter-year interval) can be set. The name and telephone number of the system manufacturer can be entered, which also appears on the display when the maintenance alarm is activated. The display can be set to energy-saving, it switches off after 5' if no button is pressed.

It has a relay that can be activated in several ways:

- After X amount of time from the start of regeneration it can be activated for X amount of time
- After X l in service it can be activated for X time
- After X l in service and bypass during regeneration it can be activated for X amount of time
- After X volume of water passed



WS1CM VALVES. FOR TECHNICAL SPECIFICATIONS AND ACCESSORIES, SEE WS1 CI VALVE

Code	Description	€
CL100043	Valv. Clack WS1 CM 1600 1" volume DF complete with accessories	
CL100045	Valv. Clack WS1 CM 1700 1" volume DF complete with accessories	
CL100047	Valv. Clack WS1 CM 1600 1" volume UF complete with accessories	
CL100049	Valv. Clack WS1 CM 1700 1" volume UF complete with accessories	

VALVES WS1.25 CM. FOR TECHNICAL SPECIFICATIONS AND ACCESSORIES, SEE WS1.25 CI VALVE

Code	Description	€
CL125043	Valv Clack WS1.25 CM 1600 1 1/4 volume DF complete with accessories	
CL125045	Valv Clack WS1.25 CM 1700 1 1/4 volume DF complete with accessories	
CL125047	Valv Clack WS1.25 CM 1600 1 1/4 volume UF complete with accessories	
CL125049	Valv Clack WS1.25 CM 1700 1 1/4 volume UF complete with accessories	

VALVES WS1.5 CM. FOR TECHNICAL SPECIFICATIONS AND ACCESSORIES, SEE WS1.5 CI VALVE

Code	Description	€
CL100143	Valv. Clack WS1.5 CM 1600 1 1/2 volume DF complete with accessories	
CL100145	Valv. Clack WS1.5 CM 1700 1 1/2 volume DF complete with accessories	
CL100147	Valv. Clack WS1.5 CM 1600 1 1/2 volume UF complete with accessories	
CL100149	Valv. Clack WS1.5 CM 1700 1 1/2 volume UF complete with accessories	

WS2 CM VALVES. FOR TECHNICAL SPECIFICATIONS AND ACCESSORIES, SEE WS2 CI VALVE

Code	Description	€
CL220143	Valv. Clack WS2 CM 1600 2" volume DF complete with accessories	
CL220145	Valv. Clack WS2 CM 1700 2" volume DF complete with accessories	
CL220147	Valv. Clack WS2 CM 1600 2" volume UF complete with accessories	
CL220149	Valv. Clack WS2 CM 1700 2" volume UF complete with accessories	

WS2 CM/QC VALVES. FOR TECHNICAL SPECIFICATIONS AND ACCESSORIES, SEE WS2 CI/QC VALVE

Code	Description	€
CL220245	Clack valve WS2 CM QC 1700 Volume 2" DF complete TOP	
CL220243	Clack valve WS2 CM QC 1700 Volume 2" DF complete SIDE	
CL220249	Clack valve WS2 CM QC 1700 Volume 2" UF complete TOP	
CL220247	Clack valve WS2 CM QC 1700 Volume 2" UF complete SIDE	

WS1CI VALVES

Electronic 1" valve with regeneration start by time and volume can be used for both filtration and softening. The operating parameters are fully programmable so as to optimise the system in all respects. Up to 9 steps per regeneration cycle can be set and the hardness is programmable in both ppm and °F.

All operating data and service history are stored in a non-volatile memory and can be recalled at any time for system analysis.

Technical specifications:

- Operating flow rate 1bar dP - 6.12 m³/h
- Backwash flow rate 1.7 bar dP - 6.12 m³/h
- Connections Inlet/outlet 1" on request 3/4", 1" 1/4
- Operating pressure min 1.4 bar - max 8.6 bar
- Operating temperature min 4°C - max 43°C
- Supply voltage 230 VAC
- Power supply frequency 50 Hz
- Valve body material Noryl®
- Softening cylinder 6"-16" (1600) - 18"-21" (1700)
- Filter cylinder 9"-12" (DLFC 3/4") - 13"-21" (DLFC 1")



ACCESSORIES INCLUDED IN THE SOFTENING VERSION:

- Upper filter - Code D1203
- Lower Filter - Code D1236
- Distributor Hose Ø 27 - Code ARI00364
- Transformer - Code V3186EU
- Exhaust nut - Code V3192
- Insert for drain connection - Part No. PKP10TS8-BULK
- DLFC (for Version 1600) - Code V3162-XXX
- DLFC (for Version 1700) - Code V3190-XXX
- Air Check 3/8" - Code FLA18168 (Version 1600)
- Air Check 1/2" - Code FLA18979 (Version 1700)
- 1" drain connection - Code V3008-02 (version 1700)
- Adapter for Air check 1/2" - Code KIT-57 (Version 1700)
- 3/8" Elbow Intermediate - Code PI0312S (Version 1600)
- Fitting Kit 1" Male BSP - Code V3007-06

ACCESSORIES INCLUDED IN THE FILTER VERSION:

- Upper filter - Code D1203
- Lower Filter - Code D1236
- Distributor Hose Ø 27 - Code ARI00364
- Insert for 3/4" drain connection - Code PKP10TS8-BULK
- Drain nut 3/4" - Code V3192
- DLFC (for 3/4" version) - Code V3162-XXX
- DLFC (for Version 1") - Code V3190-XXX
- 1" drain connection - Code V3008-02
- Fitting Kit 1" Male BSP - Code V3007-06
- Transformer - Code V3186EU

VALVES WITH ACCESSORIES

Code	Description	€
CL100001	Clack WS1CI 1600 electronic volume valve with accessories	
CL100002	Clack WS1CI 1700 electronic volume valve with accessories	
CL100003	Clack valve WS1CI 1600 electronic volume UF with accessories	
CL100004	Clack valve WS1CI 1700 electronic volume UF with accessories	
CL100011	Clack valve WS1CI 1600 electronic time with accessories	
CL100012	Clack valve WS1CI 1700 electronic time with accessories	
CL100013	Clack valve WS1CI 1600 electronic UF time with accessories	
CL100014	Clack valve WS1CI 1700 electronic time UF with accessories	
CL100021	Clack valve WS1CI DLFC 3/4" electronic filter with accessories	
CL100022	Clack valve WS1CI DLFC 1" electronic filter with accessories	

WS1EI VALVES

Electronic 1" valve with regeneration start by time and volume can be used for both filtration and softening. The operating parameters are fully programmable so as to optimise the system in all respects. Up to 6 phases can be set per regenerative cycle.

Technical specifications:

- Operating flow rate 1 bar dP - 6.12 m³/h
- Backwash flow rate 1.7 bar dP - 6.12 m³/h
- Connections Inlet/outlet 1" on request 3/4", 1"1/4
- Operating pressure min 1.4 bar - max 8.6 bar
- Operating temperature min 4°C - max 43°C
- Supply voltage 230 VAC
- Power supply frequency 50 Hz
- Valve body material Noryl®
- Softening cylinder 6"-16" (1600) - 18"-21" (1700)
- Filter cylinder 9"-12" (DLFC 3/4") - 13"-21" (DLFC 1")



ACCESSORIES INCLUDED IN THE SOFTENING VERSION:

- Upper filter - Code D1203
- Lower Filter - Code D1236
- Distributor Hose Ø 27 - Code ARI00364
- Transformer - Code V3186EU
- Exhaust nut - Code V3192
- Insert for drain connection - Part No. PKP10TS8-BULK
- DLFC (for Version 1600) - Code V3162-XXX
- DLFC (for Version 1700) - Code V3190-XXX
- Air Check 3/8" - Code FLA18168 (Version 1600)
- Air Check 1/2" - Code FLA18979 (Version 1700)
- 1" drain connection - Code V3008-02 (version 1700)
- Adapter for Air check 1/2" - Code KIT-57 Version 1700)
- 3/8" Elbow Intermediate - Code PI0312S
- Fitting Kit 1" Male BSP - Code V3007-06

ACCESSORIES INCLUDED IN THE FILTER VERSION:

- Upper filter - Code D1203
- Lower Filter - Code D1236
- Distributor Hose Ø 27 - Code ARI00364
- Insert for 3/4" drain connection - Code PKP10TS8-BULK
- Drain nut 3/4" - Code V3192
- DLFC (for 3/4" version) - Code V3162-XXX
- DLFC (for Version 1") - Code V3190-XXX
- 1" drain connection - Code V3008-02
- Fitting Kit 1" Male BSP - Code V3007-06
- Transformer - Code V3186EU

VALVES WITH ACCESSORIES

Code	Description	€
CL100071	Clack WS1EI 1600 electronic volume valve with accessories	
CL100072	Clack WS1EI 1700 electronic volume valve with accessories	
CL100081	Clack valve WS1EI 1600 electronic time with accessories	
CL100082	Clack valve WS1EI 1700 electronic time with accessories	

WS1CG VALVES

Electronic 1" valve with regeneration start by time and volume can be used for both filtration and softening. The operating parameters are fully programmable so as to optimise the system in all respects. Up to 6 phases can be set per regenerative cycle.

Technical specifications:

- Operating flow rate 1 bar dP - 6.12 m³/h
- Backwash flow rate 1.7 bar dP - 6.12 m³/h
- Connections Inlet/outlet 1" on request 3/4", 1"1/4
- Operating pressure min 1.4 bar - max 8.6 bar
- Operating temperature min 4°C - max 43°C
- Supply voltage 230 VAC
- Power supply frequency 50 Hz
- Valve body material Noryl®
- Softening cylinder 6"-16" (1600) - 18"-21" (1700)
- Filter cylinder 9"-12" (DLFC 3/4") - 13"-21" (DLFC 1")



ACCESSORIES INCLUDED IN THE SOFTENING VERSION:

- Upper filter - Code D1203
- Lower Filter - Code D1236
- Distributor Hose Ø 27 - Code ARI00364
- Transformer - Code V3186EU
- Exhaust nut - Code V3192
- Insert for drain connection - Part No. PKP10TS8-BULK
- DLFC (for Version 1600) - Code V3162-XXX
- DLFC (for Version 1700) - Code V3190-XXX
- Air Check 3/8" - Code FLA18168 (Version 1600)
- Air Check 1/2" - Code FLA18979 (Version 1700)
- 1" drain connection - Code V3008-02 (version 1700)
- Adapter for Air check 1/2" - Code KIT-57 Version 1700)
- 3/8" Elbow Intermediate - Code PI0312S
- Fitting Kit 1" Male BSP - Code V3007-06

ACCESSORIES INCLUDED IN THE FILTER VERSION:

- Upper filter - Code D1203
- Lower Filter - Code D1236
- Distributor Hose Ø 27 - Code ARI00364
- Insert for 3/4" drain connection - Code PKP10TS8-BULK
- Drain nut 3/4" - Code V3192
- DLFC (for 3/4" version) - Code V3162-XXX
- DLFC (for Version 1") - Code V3190-XXX
- 1" drain connection - Code V3008-02
- Fitting Kit 1" Male BSP - Code V3007-06
- Transformer - Code V3186EU

VALVES WITH ACCESSORIES

Code	Description	€
CL100095	Clack valve WS1CG 1600 DF volume complete platinum cover	
CL100094	Clack valve WS1CG 1700 DF volume complete platinum cover	

WS1TC VALVES

Simplified 1" electronic valve, with timed regeneration start for Filtration and Softening. In this version of electronics, pre-programmed cycles can be selected without being able to vary the parameter individually. The only setting that can always be changed is the brine filling time so that, in the case of softening applications, the correct amount of brine is available for the regeneration cycle.

Technical specifications:

- Operating flow rate 1 bar dP - 6.12 m³/h
- Backwash flow rate 1.7 bar dP - 6.12 m³/h
- Connections Inlet/outlet 1" on request 3/4", 1"1/4
- Operating pressure min 1.4 bar - max 8.6 bar
- Operating temperature min 4°C - max 43°C
- Supply voltage 230 VAC
- Power supply frequency 50 Hz
- Valve body material Noryl®
- Softening cylinder 6"-16" (1600) - 18"-21" (1700)
- Filter cylinder 9"-12" (DLFC 3/4") - 13"-21" (DLFC 1")



ACCESSORIES INCLUDED IN THE SOFTENING VERSION:

- Upper filter - Code D1203
- Lower Filter - Code D1236
- Distributor Hose Ø 27 - Code ARI00364
- Transformer - Code V3186EU
- Exhaust nut - Code V3192
- Insert for drain connection - Part No. PKP10TS8-BULK
- DLFC (for Version 1600) - Code V3162-XXX
- DLFC (for Version 1700) - Code V3190-XXX
- Air Check 3/8" - Code FLA18168 (Version 1600)
- Air Check 1/2" - Code FLA18979 (Version 1700)
- 1" drain connection - Code V3008-02 (version 1700)
- Adapter for Air check 1/2" - Code KIT-57 (Version 1700)
- 3/8" Elbow Intermediate - Code PI0312S
- Fitting Kit 1" Male BSP - Code V3007-06

ACCESSORIES INCLUDED IN THE FILTER VERSION:

- Upper filter - Code D1203
- Lower Filter - Code D1236
- Distributor Hose Ø 27 - Code ARI00364
- Insert for 3/4" drain connection - Code PKP10TS8-BULK
- Drain nut 3/4" - Code V3192
- DLFC (for 3/4" version) - Code V3162-XXX
- DLFC (for Version 1") - Code V3190-XXX
- 1" drain connection - Code V3008-02
- Fitting Kit 1" Male BSP - Code V3007-06

VALVES WITH ACCESSORIES

Code	Description	€
CL100051	Clack valve WS1TC 1600 electronic simplified time with accessories	
CL100052	Clack valve WS1TC 1700 electronic simplified time with accessories	
CL100061	Clack valve WS1TC DLFC 3/4" electronic simplified filter with accessories	
CL100062	Clack valve WS1TC DLFC 1" electronic simplified filter with accessories	

WS1.25CI VALVES

Electronic 1" 1/4 valve with regeneration start by time and volume can be used for both filtration and softening. The operating parameters are fully programmable so as to optimise the system in all respects. Up to 9 steps per regeneration cycle can be set and the hardness is programmable in both ppm and °F.

All operating data and service history are stored in a non-volatile memory and can be recalled at any time for system analysis.

Technical specifications:

- Operating flow rate 1 bar dP - 7.7 m³/h
- Backwash flow rate 1.7 bar dP - 7.3 m³/h
- Input/output connections : 1" 1/4 Male
- Operating pressure min 1.4 bar - max 8.6 bar
- Operating temperature min 4°C - max 43°C
- Supply voltage 230 VAC
- Power supply frequency 50 Hz
- Valve body material Noryl®
- Softening cylinder 10"-16" (1600) - 18"-21" (1700)
- Filter cylinder 9"-12" (DLFC 3/4") - 13"-21" (DLFC 1")



ACCESSORIES INCLUDED IN THE SOFTENING VERSION:

- Upper filter - Code D1203-03
- Lower Filter - Code D1238
- Dispenser Pipe Ø 32 x 1500 mm - Code ARI00362
- Transformer - Code V3186EU
- Exhaust nut - Code V3192
- Insert for drain connection - Part No. PKP10TS8-BULK
- DLFC (for Version 1600) - Code V3162-XXX
- DLFC (for Version 1700) - Code V3190-XXX
- Air Check 3/8" - Code FLA18168 (Version 1600)
- Air Check 1/2" - Code FLA18979 (Version 1700)
- 1" drain connection - Code V3008-02 (version 1700)
- Adapter for Air check 1/2" - Code KIT-57 (Version 1700)
- 3/8" Elbow Intermediate - Code PIO312S
- Connector Kit 1" 1/4 Male BSP - Code V3007-05

ACCESSORIES INCLUDED IN THE FILTER VERSION:

- Upper filter - Code D1203-03
- Lower Filter - Code D1238
- Dispenser Pipe Ø 32 x 1500 mm - Code ARI00362
- Insert for 3/4" drain connection - Code PKP10TS8-BULK
- Drain nut 3/4" - Code V3192
- DLFC (for 3/4" version) - Code V3162-XXX
- DLFC (for Version 1") - Code V3190-XXX
- 1" drain connection - Code V3008-02
- Connector Kit 1" 1/4 Male BSP - Code V3007-05
- Transformer - Code V3186EU

VALVES WITH ACCESSORIES

Code	Description	€
CL125001	Clack valve WS1.25CI 1600 electronic volume with accessories	
CL125002	Clack valve WS1.25CI 1700 electronic volume control with accessories	
CL125011	Clack valve WS1.25CI 1600 electronic time with accessories	
CL125012	Clack valve WS1.25CI 1700 electronic time with accessories	
CL125021	Clack valve WS1.25CI DLFC ¾" electronic filter with accessories	
CL125022	Clack valve WS1.25CI DLFC 1" electronic filter with accessories	

WS1.5PCI VALVES

Electronic 1" 1/2 valve with time and volume regeneration start that can be used for both filtration and softening. The operating parameters are fully programmable so as to optimise the system in all respects. Up to 9 steps per regeneration cycle can be set and the hardness is programmable in both ppm and °F. All operating data and service history are stored in a non-volatile memory and can be recalled at any time for system analysis.

Technical specifications:

- Operating flow rate 1.0 bar dP - 13.6 m³/h
- Backwash flow rate 1.7 bar dP - 9.8 m³/h
- Input/output connections: 1" 1/2 BSPT
- Operating pressure min 1.4 bar - max 8.6 bar
- Operating temperature min 4°C - max 43°C
- Supply voltage 230 VAC
- Power supply frequency 50/60 Hz
- Valve body material: glass-fibre reinforced plastic material
- Softening cylinder 12"-16" (1600) - 18"-24" (1700)
- Cylinder Filtration 12" up to 24"
- Cylinder Thread: 4" 8UN



ACCESSORIES INCLUDED IN THE SOFTENING VERSION:

- V3162-xx DLFC for discharge 3/4
- FLA18396 Lower diffuser Ø 50 mm
- D1199-11 Upper d.50 SNAP x Clack Valve WS1.5 PLT
- H4924 Fitting Elbow Kit 494 Air Check 1/2" Polytube Connection (version 1700)
- PI0312S 3/8 elbow intermediate (1600 version)
- FLA18979 Air Checks 900 1.88 m 1700 & 1800 (1700 version)
- FLA18168 Air Checks 500A 915 mm (36") 1600 & 1650 (1600 version)
- V3192 Exhaust nut
- PKP10TS8-BULK Insert for 3/4" drain connection
- V3186EU Transformer for Clack valve
- ARI00369 Rigid PVC pipe d.50 L= 195 cm
- V4430-02 WS15P Fitting Assembly QC to BSPT (version 1700)
- V4144-01 Elbow coupling 3/8" complete with BLFC (version 1600)
- JCPG-6PBLK Ring nut for 3/8" pipe
- JCP-P-6 Tube Insert 3/8"
- V3163 O ring drain connection brine connection
- V3165-01 Complete BLFC holder cage
- V4430-02 WS15P Fitting Assembly QC to BSPT

ACCESSORIES INCLUDED IN THE FILTER VERSION:

- V3162-075 DLFC 7.5 GPM for discharge 3/4
- FLA18396 Lower diffuser Ø 50 mm
- D1199-11 Upper d.50 SNAP x Clack Valve WS1.5 PLT
- V3186EU Transformer for Clack valve
- V4430-02 WS15P Fitting Assembly QC to BSPT
- ARI00369 Rigid PVC pipe d.50 L= 195 cm

VALVES WITH ACCESSORIES

Code	Description	€
CL100103	Clack valve WS1.5PCI 1600 electronic volume 1" 1/2 with accessories	
CL100104	Clack valve WS1.5PCII 1700 electronic volume 1" 1/2 with accessories	
CL100113	Clack valve WS1.5PCI 1600 electronic time 1" 1/2 with accessories	
CL100114	Clack valve WS1.5PCI 1700 electronic time 1" 1/2 with accessories	
CL100121	Clack valve WS1.5PCI DLFC 1" electronic filter 1" 1/2 with accessories	

WS1.5CI VALVES

Electronic 1" 1/2 valve with time and volume regeneration start that can be used for both filtration and softening. The operating parameters are fully programmable so as to optimise the system in all respects. Up to 9 steps per regeneration cycle can be set and the hardness is programmable in both ppm and °F. All operating data and service history are stored in a non-volatile memory and can be recalled at any time for system analysis.

Technical specifications:

- Operating flow rate 1 bar dP - 13.6 m³/h
- Backwash flow rate 1.7 bar dP - 11.4 m³/h
- Input/output connections: 1" 1/2 BSPT
- Operating pressure min 1.4 bar - max 8.6 bar
- Operating temperature min 4°C - max 43°C
- Supply voltage 230 VAC
- Power supply frequency 50 Hz
- Valve body material: Bronze
- Softening cylinder 14"-16" (1600) - 18"-24" (1700)
- Cylinder Filtration 14" up to 30"
- Cylinder Thread: 4" 8UN



ACCESSORIES INCLUDED IN THE SOFTENING VERSION:

- Upper Filter Subvalve - Code KIT8
- Dispenser Pipe Ø50 x 1820 mm - Code FLA18404
- Transformer - Code V3186EU
- Exhaust nut - Code V3192
- Insert for drain connection - Part No. PKP10TS8-BULK
- DLFC (for Version 1600) - Code V3162-XXX
- DLFC (for Version 1700) - Code V3190-XXX
- Air Check 3/8" - Code FLA18168 (Version 1600)
- Air Check 1/2" - Code FLA18979 (Version 1700)
- 1" drain connection - Code V3008-02 (version 1700)
- Adapter for Air check 1/2" - Code KIT-57 (Version 1700)
- 3/8" Elbow Intermediate - Code PIO312S (Version 1600)

ACCESSORIES INCLUDED IN THE FILTER VERSION:

- Upper Filter Subvalve - Code KIT8
- Dispenser Pipe Ø50 x 1820 mm - Code FLA18404
- DLFC (for Version 1") - Code V3190-XXX
- 1" drain connection - Code V3008-02
- Transformer - Code V3186EU

VALVES WITH ACCESSORIES

Code	Description	€
CL100101	Clack valve WS1.5CI 1600 electronic volume 1" 1/2 with accessories	
CL100102	Clack valve WS1.5CI 1700 electronic volume 1" 1/2 with accessories	
CL100111	Clack valve WS1.5CI 1600 electronic time 1" 1/2 with accessories	
CL100112	Clack valve WS1.5CI 1700 electronic time 1" 1/2 with accessories	
CL100120	Clack valve WS1.5CI DLFC 1" electronic filter 1" 1/2 with accessories	

WS2CI VALVES

2" electronic valve with time and volume regeneration start that can be used for both filtration and softening. The operating parameters are fully programmable so as to optimise the system in all respects. Up to 9 steps per regeneration cycle can be set and the hardness is programmable in both ppm and °F.

All operating data and service history are stored in a non-volatile memory and can be recalled at any time for system analysis.

Technical specifications:

- Operating flow rate 1 bar dP - 26.1 m³/h
- Backwash flow rate 1.7 bar dP - 18.2 m³/h
- Inlet/outlet connections 2" BSPT
- Operating pressure min 1.4 bar - max 8.6 bar
- Operating temperature min 4°C - max 43°C
- Supply voltage 230 VAC
- Power supply frequency 50 Hz
- Valve body material: Bronze
- Softening cylinder 14"-16" (1600) - 18"-48" (1700)
- Filtration cylinder 14" up to 36"
- Cylinder Thread: 4" 8UN
- Filter cylinder 9"-12" (DLFC 3/4") - 13"-21" (DLFC 1")



ACCESSORIES INCLUDED IN THE SOFTENING VERSION:

- Upper Filter Subvalve - Code KIT8
- Dispenser Pipe Ø50 x 1820 mm - Code FLA18404
- Transformer - Code V3186EU
- Exhaust nut - Code V3192
- Insert for drain connection - Part No. PKP10TS8-BULK
- DLFC (for Version 1600) - Code V3162-XXX
- DLFC (for Version 1700) - Code V3190-XXX
- Air Check 3/8" - Code FLA18168 (Version 1600)
- Air Check 1/2" - Code FLA18979 (Version 1700)
- 1" drain connection - Code V3008-05 (version 1700)
- Adapter for Air check 1/2" - Code KIT-57 (Version 1700)
- 3/8" Elbow Intermediate - Code PIO312S (Version 1600)

ACCESSORIES INCLUDED IN THE FILTER VERSION:

- Upper Filter Subvalve - Code KIT8
- Dispenser Pipe Ø50 x 1820 mm - Code FLA18404
- DLFC - Code V3162-XXX
- Drain fitting 1" 1/2 - Code V3080BSPT
- Transformer - Code V3186EU

VALVES WITH ACCESSORIES

Code	Description	€
CL220001	Clack valve WS2CI 1600 electronic volume 2" with accessories	
CL220002	Clack valve WS2CI 1700 electronic volume 2" with accessories	
CL220011	Clack valve WS2CI 1600 electronic time 2" with accessories	
CL220012	Clack valve WS2CI 1700 electronic time 2" with accessories	
CL220022	Clack valve WS2CI DLFC 1" 1/2 electronic filter 2" with accessories	

WS2CI/QC VALVES

2" electronic valve with time and volume regeneration start that can be used for both filtration and softening. The operating parameters are fully programmable so as to optimise the system in all respects. Up to 9 steps per regeneration cycle can be set and the hardness is programmable in both ppm and °F.

All operating data and service history are stored in a non-volatile memory and can be recalled at any time for system analysis. The valve has clamp-type connections for the main connections. This exists in a head-mounted or side-mounted version.

Technical specifications:

- Operating flow rate 1bar dP - 28.4 m³/h
- Backwash flow rate 1.7 bar dP - 19.3 m³/h
- Inlet/outlet connections 2" BSPT
- Operating pressure min 1.4 bar - max 8.6 bar
- Operating temperature min 4°C - max 43°C
- Supply voltage 230 VAC
- Power supply frequency 50 Hz
- Valve body material: Bronze
- Softening cylinder 16"-48" (1700)
- Cylinder Filtration 16" up to 36"
- Cylinder attachment: 6" Flanged Top/ Side Mounting



ACCESSORIES INCLUDED IN THE SOFTENING VERSION:

- Head Mounting Adapter 6" Flanged - Code V3055 (distributor pipe connection Ø 63)
- Side mounting adapter 2" BSPT - Part no. V3260BSPT-02
- Transformer - Code V3186EU
- DLFC (for Version 1700) - Code V3190-XXX
- Air Check 1/2" - Code FLA18979 (Version 1700)
- 1" drain connection - Code V3008-05 (version 1700)
- Adapter for Air check 1/2" - Code KIT-57 (Version 1700)

ACCESSORIES INCLUDED IN THE FILTER VERSION:

- Head Mounting Adapter 6" Flanged - Code V3055 (distributor pipe connection Ø 63)
- Side mounting adapter 2" BSPT - Part no. V3260BSPT-02
- DLFC (for Version 1") - Code V3162-XXX
- Drain fitting 1" 1/2 - Code V3080BSPT
- Transformer - Code V3186EU

VALVES WITH ACCESSORIES

Code	Description	€
CL220048	Clack valve WS2CI/QC 1700 electronic volume 2" TOP mounting with accessories	
CL220049	Clack valve WS2CI/QC 1700 electronic volume 2" SIDE mounting with accessories	
CL220038	Clack valve WS2CI/QC 1700 electronic time 2" TOP mounting with accessories	
CL220039	Clack valve WS2CI/QC 1700 electronic time 2" SIDE mounting with accessories	
CL220058	Clack valve WS2CI/QC electronic filter 2" TOP mounting with accessories	
CL220059	Clack valve WS2CI/QC electronic filter 2" SIDE mounting with accessories	

WS3 VALVES H

3" electronic valve with time and volume regeneration start for Softening and Filtration. The operating parameters are fully programmable so as to optimise the system in all respects. This valve exists in several configurations so that it can be mounted on both single-hole flanged 6" cylinders (Top Mount) and double-hole cylinders (Side Mount).

Technical specifications:

- Operating flow rate 1 bar dP - 56.8 m³/h
- Backwash flow rate 1.7 bar dP - 50 m³/h
- Input/output connections: 3"
- Operating pressure min 1.4 bar - max 8.6 bar
- Operating temperature min 4°C - max 43°C
- Supply voltage 230 VAC
- Power supply frequency 50 Hz
- Valve body material: Bronze
- Softening cylinder up to 79"
- Cylinder Filtration up to 63"
- Cylinder attachment: 6" Flanged Top/ Side Mounting



ACCESSORIES INCLUDED IN THE SOFTENING VERSION:

Transformer - Code V3461EU
 Head Mounting Adapter 6" Flanged - Code V3090
 Side mounting adapter 3" BSPT- Part no. V3674BSPT-02
 3" BSP Drain Connector Kit - Code V3764BSPT
 DLFC - Code V3190-XXX
 DLFC - Code V3162-XXX
 3" meter with cable (for volumetric version) - Code V3075BSPT

ACCESSORIES INCLUDED IN THE FILTER VERSION:

Transformer - Code V3461EU
 Head Mounting Adapter 6" Flanged - Code V3090
 Side mounting adapter 3" BSPT- Part no. V3674BSPT-02
 3" BSP Drain Connector Kit - Code V3764BSPT
 DLFC - Code V3190-XXX
 DLFC - Code V3162-XXX

VALVES WITH ACCESSORIES

Code	Description	€
CL300001	Clack valve WS3 electronic volume 3" TOP mounting with accessories	
CL300004	Clack valve WS3 electronic volume 3" SIDE mounting with accessories	
CL300010	Clack valve WS3 electronic time 3" TOP assembly with accessories	
CL300012	Clack valve WS3 electronic time 3" SIDE mounting with accessories	
CL300022	Clack valve WS3 electronic filter 3" TOP mounting with accessories	
CL300024	Clack valve WS3 electronic filter 3" SIDE mounting with accessories	

VALVES VTT1CI - VTT1CM TWIN

1" Electronic Duplex Valve with time and volume regeneration start that can be used for softening. The operating parameters are fully programmable so as to optimise the system in all respects. Up to 9 steps per regeneration cycle can be set and the hardness is programmable in both ppm and °F. All operating data and service history are stored in a non-volatile memory and can be recalled at any time for system analysis.

Technical specifications:

- Operating flow rate 1 bar dP - 6.12 m³/h
- Backwash flow rate 1.7 bar dP - 3.4 m³/h
- Connections Inlet/outlet 1" on request 3/4", 1" 1/4
- Operating pressure min 1.4 bar - max 8.6 bar
- Operating temperature min 4°C - max 43°C
- Supply voltage 230 VAC
- Power supply frequency 50 Hz
- Valve body material Noryl®
- Softening cylinder 6"-16" (1600) - 18"-21" (1700)
- Filter cylinder 9"-12" (DLFC 3/4") - 13"-21" (DLFC 1")



ACCESSORIES INCLUDED:

- Upper filter - Code D1203
- Lower Filter - Code D1236
- Distributor Hose Ø 27 - Code ARI00364
- Transformer - Code V3186EU
- Exhaust nut - Code V3192
- Insert for drain connection - Part No. PKP10TS8-BULK
- DLFC (for Version 1600) - Code V3162-XXX
- DLFC (for Version 1700) - Code V3190-XXX
- Air Check 3/8" - Code FLA18168 (Version 1600)
- Air Check 1/2" - Code FLA18979 (Version 1700)
- 1" drain connection - Code V3008-02 (version 1700)
- Adapter for Air check 1/2" - Code KIT-57 (Version 1700)
- 3/8" Elbow Intermediate - Code PI0312S (Version 1600)
- Fitting Kit 1" Male BSP - Code V3007-06
- Pipe diameter 1" 1/4 L=20" no. 2 pcs CodeV4052 (1700 version)
- K it fitting 1" 1/4 glue no. 2 pcs Part No. V3007-07 (1700 version)

VALVES WITH ACCESSORIES

Code	Description	€
CL100030	Clack VTT1CI 1600 Twin valve with accessories	
CL100032	Clack VTT1CI 1700 Twin valve with accessories	
CL100031	Clack VTT1CM 1600 Twin valve with accessories	
CL100033	Clack valve VTT1CM 1700 Twin with accessories	

WS1CI - WS1CM DF DUPLEX VALVE SYSTEM

Duplex systems consist of two WS1CI valves plus a 3-way valve for line alternation in service. In particular, they are systems where one column is always in service and the other is in regeneration or stand-by. Regeneration starts via the valve-built-in turbine.

Version 1600 - 3-way valve model V3069MM including Elbow Fitting Kit - Code V3191-01

Version 1700 - 3-Way Valve Model V3069FF including 1" Male Fitting Kit - Code V3007-06

ACCESSORIES INCLUDED IN THE SOFTENING VERSION:

Upper filter - Code D1203

Lower Filter - Code D1236

Distributor Hose Ø 27 - Code ARI00364

Transformer - Code V3186EU

Exhaust nut - Code V3192

Insert for drain connection - Part No. PKP10TS8-BULK

DLFC (for Version 1600) - Code V3162-XXX

DLFC (for Version 1700) - Code V3190-XXX

Air Check 3/8" - Code FLA18168 (Version 1600)

Air Check 1/2" - Code FLA18979 (Version 1700)

1" drain connection - Code V3008-02 (version 1700)

Adapter for Air check 1/2" - Code KIT-57 (Version 1700)

3/8" Elbow Intermediate - Code PI0312S (Version 1600)

Fitting Kit 1" Male BSP - Code V3007-06



VALVES WITH ACCESSORIES

Code	Description	€
CL100301	Duplex 1" WS1CI 1600 system complete with two valves and motorised 3-way valve	
CL100311	Duplex 1" WS1CI 1700 system complete with two valves and motorised 3-way valve	
CL100302	Duplex 1" WS1CM DF 1600 system complete with two valves and motorised 3-way valve	
CL100312	Duplex 1" WS1CM DF 1700 system complete with two valves and motorised 3-way valve	

DUPLEX VALVE SYSTEM WS1.25CI - WS1.25 CM DF

Duplex systems consist of two WS1.25CI valves plus a 3-way valve for line alternation in service. In particular, they are systems where one column is always in service and the other is in regeneration or stand-by. Regeneration starts via the valve-built-in turbine.

Version 1600 - 3-way valve model V3069MM including Elbow Fitting Kit - Code V3191-01

Version 1700 - 3-Way Valve Model V3069FF including 1" Male Fitting Kit - Code V3007-06

ACCESSORIES INCLUDED IN THE SOFTENING VERSION:

Upper filter - Code D1203-03

Lower Filter - Code D1238

Dispenser Pipe Ø 32 x 1500 mm - Code ARI00362

Transformer - Code V3186EU

Exhaust nut - Code V3192

Insert for drain connection - Part No. PKP10TS8-BULK

DLFC (for Version 1600) - Code V3162-XXX

DLFC (for Version 1700) - Code V3190-XXX

Air Check 3/8" - Code FLA18168 (Version 1600)

Air Check 1/2" - Code FLA18979 (Version 1700)

1" drain connection - Code V3008-02 (version 1700)

Adapter for Air check 1/2" - Code KIT-57 (Version 1700)

3/8" Elbow Intermediate - Code PI0312S (Version 1600)

Connector Kit 1" 1/4 Male BSP - Code V3007-05



VALVES WITH ACCESSORIES

Code	Description	€
CL100321	Duplex system 1" 1/4 WS1.25CI 1600 complete with two valves and motorised 3-way valve	
CL100331	Duplex system 1" 1/4 WS1.25CI 1700 complete with two valves and motorised 3-way valve	
CL100322	Duplex system 1" 1/4 WS1.25CM DF 1600 complete with two valves and motorised 3-way valve	
CL100332	Duplex 1" 1/4 WS1.25CCM DF 1700 system complete with two valves and 3-way motorised valve	

WS1.5PCI DUPLEX VALVE SYSTEM

Duplex systems consist of two WS1.5PCI valves, plus a 3-way valve for line alternation in service, in particular they are systems where one column is always in service and the other is in regeneration or stand-by. The start of regeneration is via a volumetric counter positioned after the 3-way valve. Delivery includes a 3-way valve model V3034.

ACCESSORIES INCLUDED IN THE SOFTENING VERSION:

V3162-xx DLFC for discharge 3/4
 FLA18396 Lower diffuser Ø 50 mm
 D1199-11 Upper d.50 SNAP x Clack Valve WS1.5 PLT
 H4924 Fitting Elbow Kit 494 Air Check 1/2" Polytube Connection (version 1700)
 PIO312S 3/8 elbow intermediate (1600 version)
 FLA18979 Air Checks 900 1.88 m 1700 & 1800 (1700 version)
 FLA18168 Air Checks 500A 915 mm (36") 1600 & 1650 (1600 version)
 V3192 Exhaust nut
 PKP10TS8-BULK Insert for 3/4" drain connection
 V3186EU Transformer for Clack valve
 ARI00369 Rigid PVC pipe d.50 L= 195 cm
 V4430-02 WS15P Fitting Assembly QC to BSPT (version 1700)
 V4144-01 Elbow coupling 3/8" complete with BLFC (version 1600)
 JCPG-6PBLK Ring nut for 3/8" pipe
 JCP-P-6 Tube Insert 3/8"
 V3163 O ring drain connection brine connection
 V3165-01 Complete BLFC holder cage
 V4430-02 WS15P Fitting Assembly QC to BSPT
 1" 1/2 meter with 4.5 m cable - Code V3045BSPT-15



VALVES WITH ACCESSORIES

Code	Description	€
CL100343	Duplex system 1" 1/2 WS1.5PCI 1600 complete with two valves and motorised 3-way valve	
CL100344	Duplex 1" 1/2 WS1.5PCI 1700 system complete with two valves and motorised 3-way valve	

DUPLEX VALVE SYSTEM WS1.5CI - WS1.5CM DF

Duplex systems consist of two WS1.5CI valves, plus a 3-way valve for line alternation in service, in particular they are systems where one column is always in service and the other is in regeneration or stand-by. The start of regeneration is via a volumetric counter positioned after the 3-way valve. The scope of delivery includes a 3-way valve model V3071BSPT 1" 1/2 female.

ACCESSORIES INCLUDED IN THE SOFTENING VERSION:

Upper Filter Subvalve - Code KIT8
 Dispenser Pipe Ø50 x 1820 mm - Code FLA18404
 Transformer - Code V3186EU
 Exhaust nut - Code V3192
 Insert for drain connection - Part No. PKP10TS8-BULK
 DLFC (for Version 1600) - Code V3162-XXX
 DLFC (for Version 1700) - Code V3190-XXX
 Air Check 3/8" - Code FLA18168 (Version 1600)
 Air Check 1/2" - Code FLA18979 (Version 1700)
 1" drain connection - Code V3008-02 (version 1700)
 Adapter for Air check 1/2" - Code KIT-57 (Version 1700)
 3/8" Elbow Intermediate - Code PIO312S (Version 1600)
 Meter 1" 1/2 with 4 m cable - Code V3040BSPT-15



VALVES WITH ACCESSORIES

Code	Description	€
CL100341	Duplex system 1" 1/2 WS1.5CI 1600 complete with two valves and motorised 3-way valve	
CL100351	Duplex system 1" 1/2 WS1.5CI 1700 complete with two valves and motorised 3-way valve	
CL100342	Duplex system 1" 1/2 WS1.5CM DF 1600 complete with two valves and motorised 3-way valve	
CL100352	Duplex system 1" 1/2 WS1.5CM DF 1700 complete with two valves and 3-way motorised valve	

WS2CI - WS2CM DF DUPLEX VALVE SYSTEM

Duplex systems consist of two 2" valves plus a 3-way valve for line alternation in service. In particular, they are systems where one column is always in service and the other is in regeneration or stand-by. The start of regeneration takes place via a volumetric counter in series positioned after the 3-way valve. Delivery includes a 3-way valve model V3076BSPT 2" female.

ACCESSORIES INCLUDED IN THE SOFTENING VERSION:

- Upper Filter Subvalve - Code KIT8
- Dispenser Pipe Ø50 x 1820 mm - Code FLA18404
- Transformer - Code V3186EU
- Exhaust nut - Code V3192
- Insert for drain connection - Part No. PKP10TS8-BULK
- DLFC (for Version 1600) - Code V3162-XXX
- DLFC (for Version 1700) - Code V3190-XXX
- Air Check 3/8" - Code FLA18168 (Version 1600)
- Air Check 1/2" - Code FLA18979 (Version 1700)
- 1" drain connection - Code V3008-05 (version 1700)
- Adapter for Air check 1/2" - Code KIT-57 (Version 1700)
- 3/8" Elbow Intermediate - Code PIO312S (Version 1600)
- 2" meter with 4m cable - Code V3094BSPT-15

Note: for 36"-42"-48" tank add no. 1 W3080BSPT



VALVES WITH ACCESSORIES

Code	Description	€
CL100381	2" duplex system WS2CI 1600 complete with two valves and motorised three-way valve	
CL100391	2" duplex system WS2CI 1700 complete with two valves and motorised three-way valve	
CL100382	Duplex system 2" WS2CM DF 1600 complete with two valves and motorised three-way valve	
CL100392	2" duplex system WS2CIM DF 1700 complete with two valves and motorised three-way valve	

DUPLEX VALVE SYSTEM WS2CI QC - WS2CM QC DF

Duplex systems consist of two 2" valves plus a 3-way valve for line alternation in service. In particular, they are systems where one column is always in service and the other is in regeneration or stand-by. The start of regeneration takes place via a volumetric counter in series positioned after the 3-way valve. Delivery includes a 3-way valve model V3076BSPT 2" female. The valve has clamp-type connections for the main connections. This exists in a head-mounted or side-mounted version.

ACCESSORIES INCLUDED IN THE SOFTENING VERSION:

- WS2H/2QC Head Mounting Adapter 6" Flanged - Part No. V3055 (distributor tube Ø 63)
- WS2H/2 QC Side Mounting Adapter 2" BSPT- Part No. V3260BSPT-02
- Transformer - Code V3186EU
- DLFC - Codice V3080BSPT
- Air Check 1/2" - Codice FLA18979
- 1" drain connection - Code V3008-05
- Adapter for Air check 1/2" - Code H4924
- 2" meter with 4m cable - Code V3094BSPT-15



VALVES WITH ACCESSORIES

Code	Description	€
CL100385	Duplex system 2" WS2CI QC 1700 TOP mount complete with two valves, motorised three-way valve and accessories	
CL100395	Duplex system 2" WS2CI QC 1700 SIDE mounting complete with two valves, three-way motorised valve and accessories	
CL100386	Duplex system 2" WS2CM QC 1700 TOP mount complete with two valves, three-way motorised valve and accessories	
CL100396	Duplex system 2" WS2CM QC 1700 SIDE mount complete with two valves, three-way motorised valve and accessories	

WS3 DUPLEX VALVE SYSTEM

Duplex systems consist of two WS3 valves plus a 3-way valve for line alternation in service. In particular, they are systems where one column is always in service and the other is in regeneration or stand-b. The start of regeneration takes place via a volumetric counter in series positioned after the 3-way valve. These valves can be mounted on both single-hole cylinders (Top mounting) and double-hole cylinders (Side mounting). The scope of delivery includes a 3-way valve model V3083BSPT 3" female.

ACCESSORIES INCLUDED IN THE SOFTENING VERSION:

Transformer - Code V3461EU
 Head Mounting Adapter 6" Flanged - Code V3090
 Side mounting adapter 3" BSPT- Part no. V3674BSPT-02
 3" BSP Drain Connector Kit - Code V3764BSPT
 DLFC - Code V3190-XXX
 DLFC - Code V3162-XXX
 3" meter with 4.5 m cable - Code V3075BSPT



VALVES WITH ACCESSORIES

Code	Description	€
CL300130	3" WS3 duplex system complete with two TOP-mounted valves and motorised three-way valve	
CL300135	3" WS3 duplex system complete with two SIDE-mounted valves and motorised three-way valve	

MULTIVALVE CONTROL UNIT

The control unit allows the control of up to 6 Clack valves from 1" to 2" simultaneously with different programming solutions. With this system, the manufacturer can design customised systems according to the needs of the end user. Below are the various management possibilities:

Progressive flow Each valve in the system requires its own meter. In a progressive flow system, a flow ADD-POINT must be set. This ADD-POINT is the flow quantity at which one or more units are put into service to achieve the required flow quantity. The units will be put into service after the flow exceeds this previously set ADD-POINT and will maintain this flow for 30 seconds. If the flow increase quickly exceeds the ADD-POINT by 120%, the unit will be put into service immediately to achieve the required flow. Units are taken out of service when the flow demand decreases by 90 per cent of the individual unit's ADD-POINT for 1 minute.

Alternating flow Each valve in the system requires its own meter. In an alternating system, one unit will always be in WAIT or REGENERATION with all others in SERVICE. The alternating system has a unique logic that staggers the valves based solely on capacity so that there is always sufficient capacity even with a valve in regeneration.

Random Each valve in the system requires its own counter. All units are in service until a unit starts regenerating. Regeneration is only possible to one valve at a time. Each individual valve is allowed to regenerate when necessary.

Series Each valve in the system requires its own meter or it is also possible to use a single meter at the outlet of the system connected directly to the control unit. All units are in service until a unit starts regenerating. Regeneration is only possible to one valve at a time. If one of the valves indicates regeneration, that valve will be the first to go into regeneration followed by all the other valves in series.

TECHNICAL SPECIFICATIONS

- The control unit can control from 2 to 6 units. 1.0", 1.25", 1.5" or 2" Clack valves can be used
- All valves are electrically powered directly from the centreline. All operating and diagnostic data can be uploaded to a standard USB drive
- The control unit is equipped with two relays
- The volume of each individual unit can be programmed. A lithium battery maintains the time in the event of a power failure
- Microprocessor with user-friendly front programming
- The front display shows the time of day, day of the week, days until the next regeneration, current flow and total volume used by the system
- Panel LEDs indicate the status of the system Online, Standby and in regeneration



Code	Description	€
V3030-01	Multivalve control unit	
V4276-36	Control unit/valve power cable L. 11 mt	

MOTORISED 3-WAY VALVES

Code	Description	€
V3069FF	3-way motorised valve FF for alternating duplex WS1CI and WS1.25CI	
V3069MM	3-way motorised valve MM for alternating duplex WS1CI and WS1.25CI	
V3034	Motorised 3-way 1.5" plastic valve for duplex alternating WS1.5PCI	
V3071BSPT	3-way motorised valve for alternating duplex WS1.5CI	
V3076BSPT	3-way motorised valve for alternating duplex WS2CI	
V3083BSPT	3-way motorised valve for alternating duplex WS3	









MOTORISED 2-WAY VALVES

Code	Description	€
V3070FM	2-way motorised valve FM no by-pass for WS1CI and WS1.25CI valves	
V3070FF	2-way motorised valve FF no by-pass for WS1CI and WS1.25CI valves	
V3035	2-way motorised valve PLT no by-pass valve WS1.5PCI	
V3097BSPT	Two-way motorised valve no by-pass for WS1.5CI valve	
V3098BSPT	Two-way motorised valve no by-pass for WS2CI valve	
V3099BSPT	Two-way motorised valve no by-pass for WS3 valve	









4.2 CLACK ACCESSORIES

COUNTERS

Code	Description	€	
V3040BSPT	Counter 1" 1/2 MF for WS1.5CI		
V3040BSPT-15	Counter 1" 1/2 MF cable L. 4.5 metres for WS1.5CI		
V3094BSPT	2" MF counter for WS2CI		
V3094BSPT-15	Counter 2" MF cable L. 4.5 metres for WS2CI		
V3095BSPT	3" MF counter for WS3		
V3095BSPT-15	Counter 3" MF cable L. 4.5 metres for WS3		
V3039	WS1 in-line meter 1" plastic		
V3039-15	WS1 in-line meter 1" plastic cable L 4.5 m		
V3045BSPT	Inline meter 1.5" plastic		
V3045BSPT-15	Inline meter 1.5" plastic cable L. 4.5 m		
V3045QC	1.5" quick connect plastic counter		
V3221	Remote meter cable L. 4.5 m		

FLOW CONTROL

Code	Description	€	
V3008-02	Complete 1" outlet fitting for WS1/WS1.25 valves		
V3008-05	Complete 1" exhaust connection for valves WS2CI		
V3079BSPT	Outlet connection 1" 1/4 BSPT for WS1.5 valves		
V3080BSPT	Outlet connection 1" 1/2 for valves WS2CI and WS3		
V3051BSPT	Outlet connection 2" BSPT for WS2CI and WS3 valves		
V3764BSPT	Outlet connection 3" BSPT for WS3 valves		

FITTINGS KIT

Code Description €

V3007 In/out fitting kit 1" M elbow



V3007-08 1" 1/4 M straight fitting kit for WS1CI & WS1TC valves



V3007-06 In/out fitting kit 1" M straight



V3007-14 In/out fitting kit 3/4" M straight



V3007-07 1 1/4" fitting kit



V4052 Pipe diameter 1"1/4 L=20"



V4430-03 WS15P QC to QCm28.00 fitting kit



V4430-02 WS15P quick connect kit



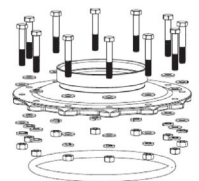
BY-PASS - MIXING

Code	Description	€
V3006	By-pass for WS1CI, WS1TC & WS1.25CI valves	
V3191-01	Elbow adaptors for by-pass V3006	
V4099	Inline-mounted external mixing valve	
V3467	WS1 Inline adapter fittings for bypass	



SIDE/TOP MOUNTING ADAPTERS

Code	Description	€
V3055	Overhead mounting adapter - 6" flange for WS2	
V3090	Overhead mounting adapter - 6" flange for WS3	
V3260BSPT-02	Side-mounting adapter 2" BSPT	
V3674BSPT-02	Side-mounting adapter 3" BSPT	



CONNECTION CABLES

Code	Description	€
V3340	Interconnecting cable for WS1/1.25/1.5 cascade regeneration	
V3474	Interconnection cable kit for duplex WS1/1.25/1.5/2 L. 2 m	
V3475-12	WS2/3 3.65 m communication cable	
V3475-24	WS2/3 7.3 m communication cable	
V3475-36	WS2/3 Communication cable 10.90 m	

DIFFUSORS

Code	Description	€
D1203	Under-valve diffuser Ø27 for WS1 valves	
D1203-03	Under-valve diffuser Ø32 for WS1.25 valves	
D1236	Ø27 lower diffuser for WS1 valves	
D1238	Ø32 lower diffuser for WS1.25 valves	

AUXILIARY MICROSWITCH KIT

Code	Description	€
V3009	Microswitch kit for WS1/1.25/1.5 for ongoing regeneration signal	
V3014	Microswitch kit complete with cable for WS1/1.25/1.5 for series regeneration	
V3017	Kit microswitch per WS2	



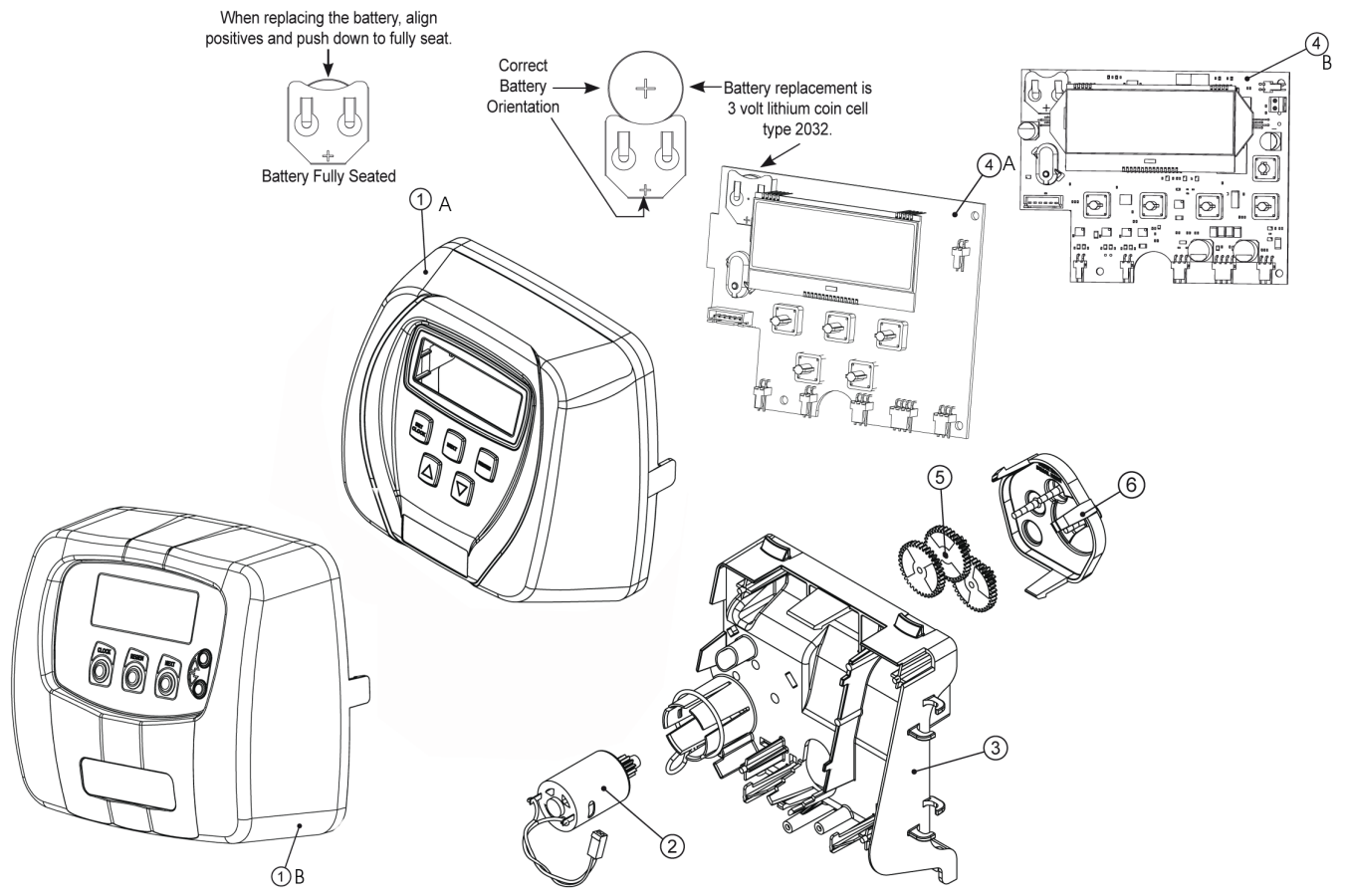
VARIOUS

Code	Description	€
V3175WC-A	Ivory splash guard cover WS1CI, WS1TC & WS1.25CI	
V3974WC-A	Ivory splash guard cover WS1.5CI	
V3783WC-A	Ivory splash guard cover WS2CI	
V4051WC	Splash guard cover WS3H	
V3193-02	Key WS1	
V3022	WS1 Spacer extractor	
V3022-15	WS1.25/1.5 Extractor for spacers	
ARI00572	Chlorine generator	



4.3 CLACK SPARE PARTS AND EXPLODED VIEWS

SPARE PARTS TIMER CI - CM - TWIN

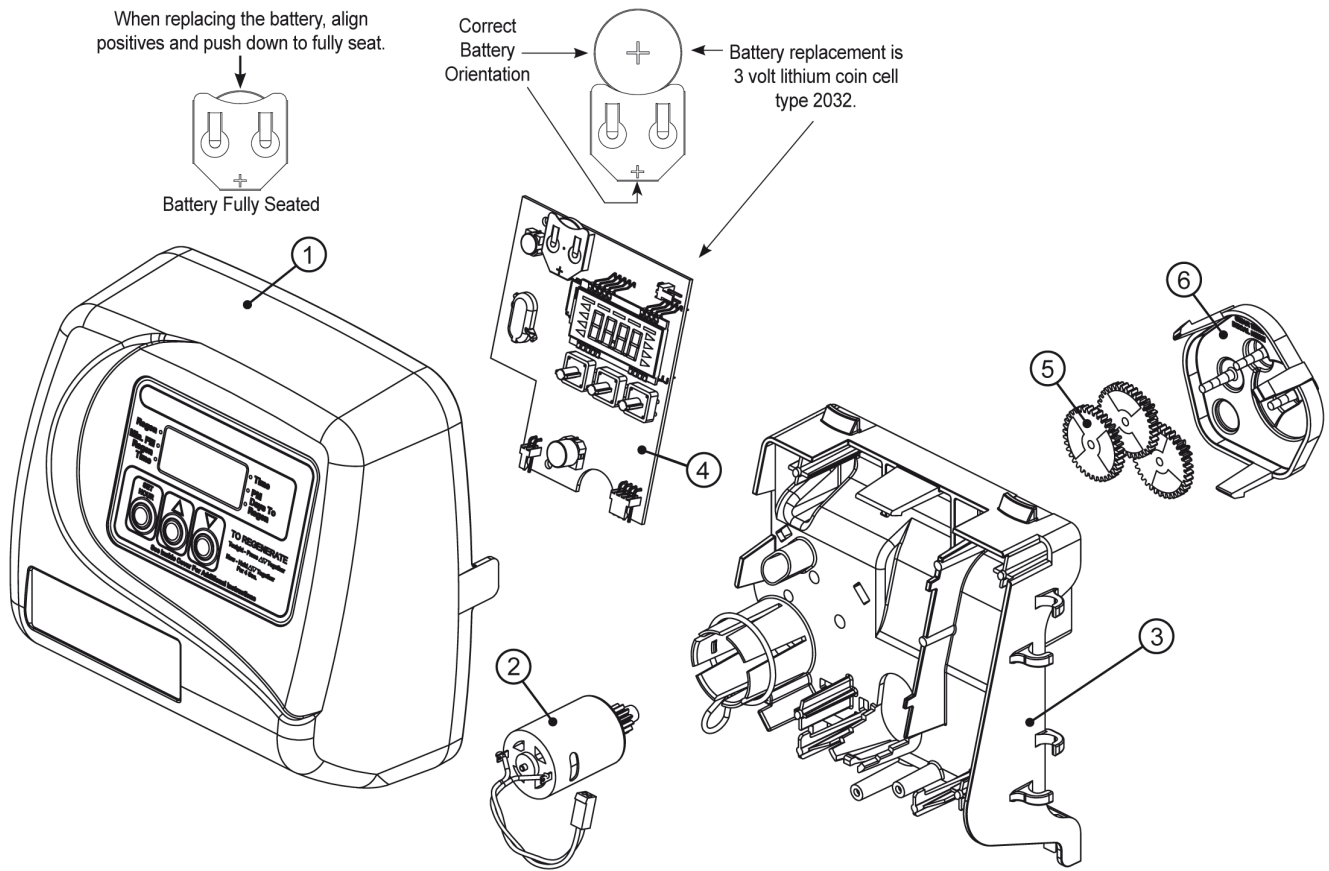


Ref.	Code	Description	€
1	V3175CI-01	WS1CI Front Cover Assembly	
1	V3998-01	WS Cm Front Cover Assembly	
1	V3175CI-01A	WS1CI Front Cover Assy Almond	
2	V3107-01	WS1 Motor	
3-5-6	V3002-A	WS1 Drive Bracket & Spring Clip	
4	V3108CI-03-BOARD	WS1 Thru 2 CI Pcb Xmega Repl	
4	V4070CM-BOARD	WS1 Thru 2 CM Pcb Xmega Repl For CM	
5	V3110	WS1 Drive Reducing Gear 12X36	
6	V3109	WS1 Drive Gear Cover	
NS	V3946	WS Wide Back Plate Cm	
NS	V3178	WS1 Drive Backplate	
NS	V3186EU	WS1 Ac Adapter 220-240V-12V Eu	

TC TIMER SPARE PARTS

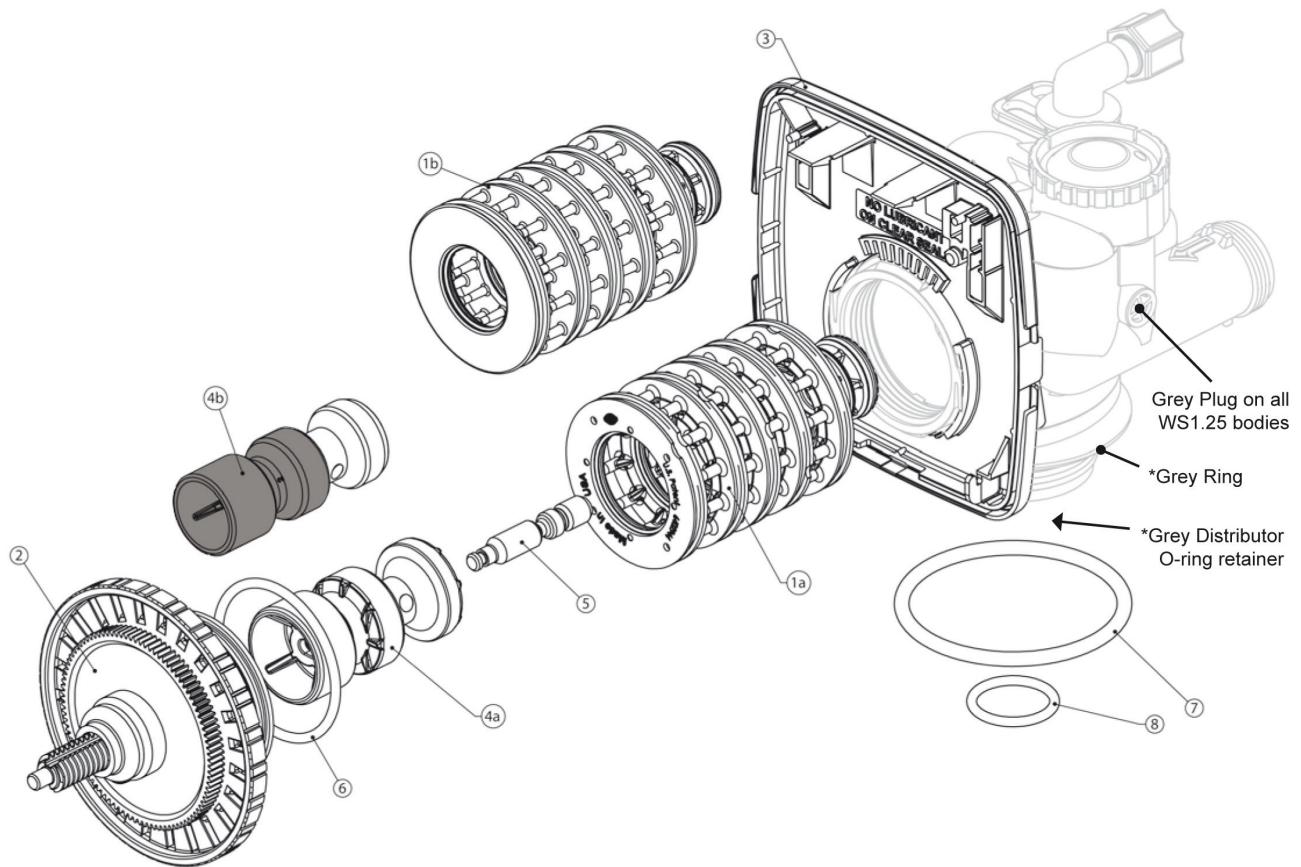
4.0

Click Valves



Ref.	Code	Description	€
1	V3175TC-01A	WS1Tc Front Cover Asy Almond	
1	V3175TC-01	WS1Tc Front Cover Asy Black	
2	V3107-01	WS1 Motor Asy	
3-5-6	V3200-A	WS1 Drive Bracket & Spring Clip	
4	V3818TC-BOARD	WS1Tc Pc Board 4-Digit	
5	V3110	WS1 Drive Reducing Gear 12 X 36	
6	V3109	WS1 Drive Gear Cover	
NS	V3186EU	WS1 Ac Adapter 220-240V-12V Eu	
NS	V3178	WS1 Drive Backplate	

SPARE PARTS VALVE BODY 1" - 1 1/4 CI - CM

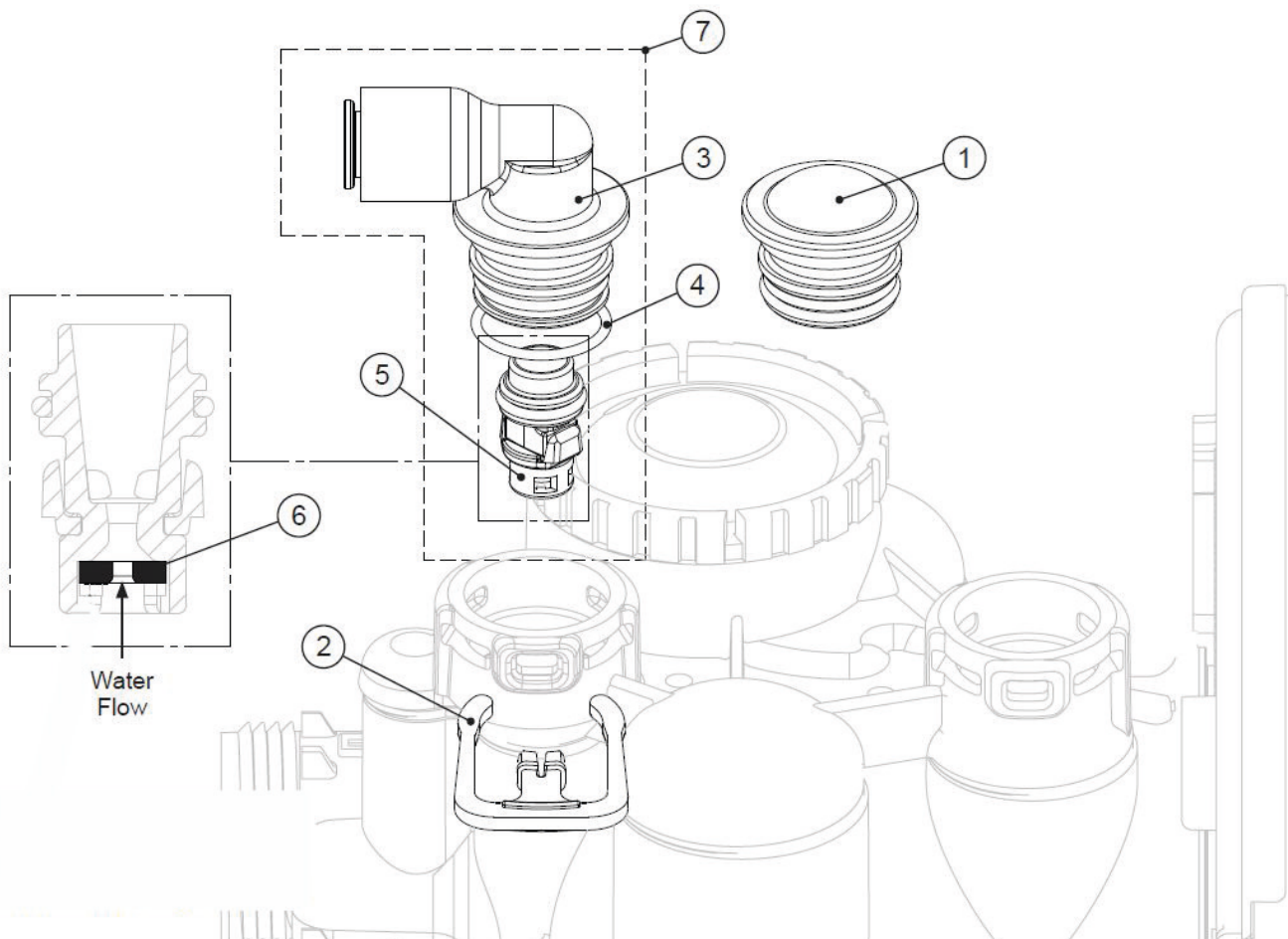


Ref.	Code	Description	€
1b	V3005	WS1 Spacer Stack Assembly	
1a	V3430	WS1.5 Spacer Stack Assembly	
2	V3004	Drive Cap Asy	
3	V3178	WS1 Drive Backplate	
3	V3946	WS1 Drive Back Plate Cm	
4a	V3407	WS125/15 Piston Downfl Ow Asy (Amber)	
4a	V3011	WS1 Piston Downfl Ow Asy	
4b	V3011-01	WS1 Piston Upfl Ow Asy	
4b	V4042	WS125/15 Piston Upfl Ow Asy (Black In Color)	
5	V3174	WS1 Regenerant Piston	
6	V3135	O-ring 228	
7	V3180	O-ring 337	
8	V3357	O-ring 218 (Distributor Tube Opening 32Mm)	
8	V3105	O-ring 215 (Distributor Tube)	

SPARE PARTS INLET VALVE FITTING 1" - 1 1/4 CI - CM

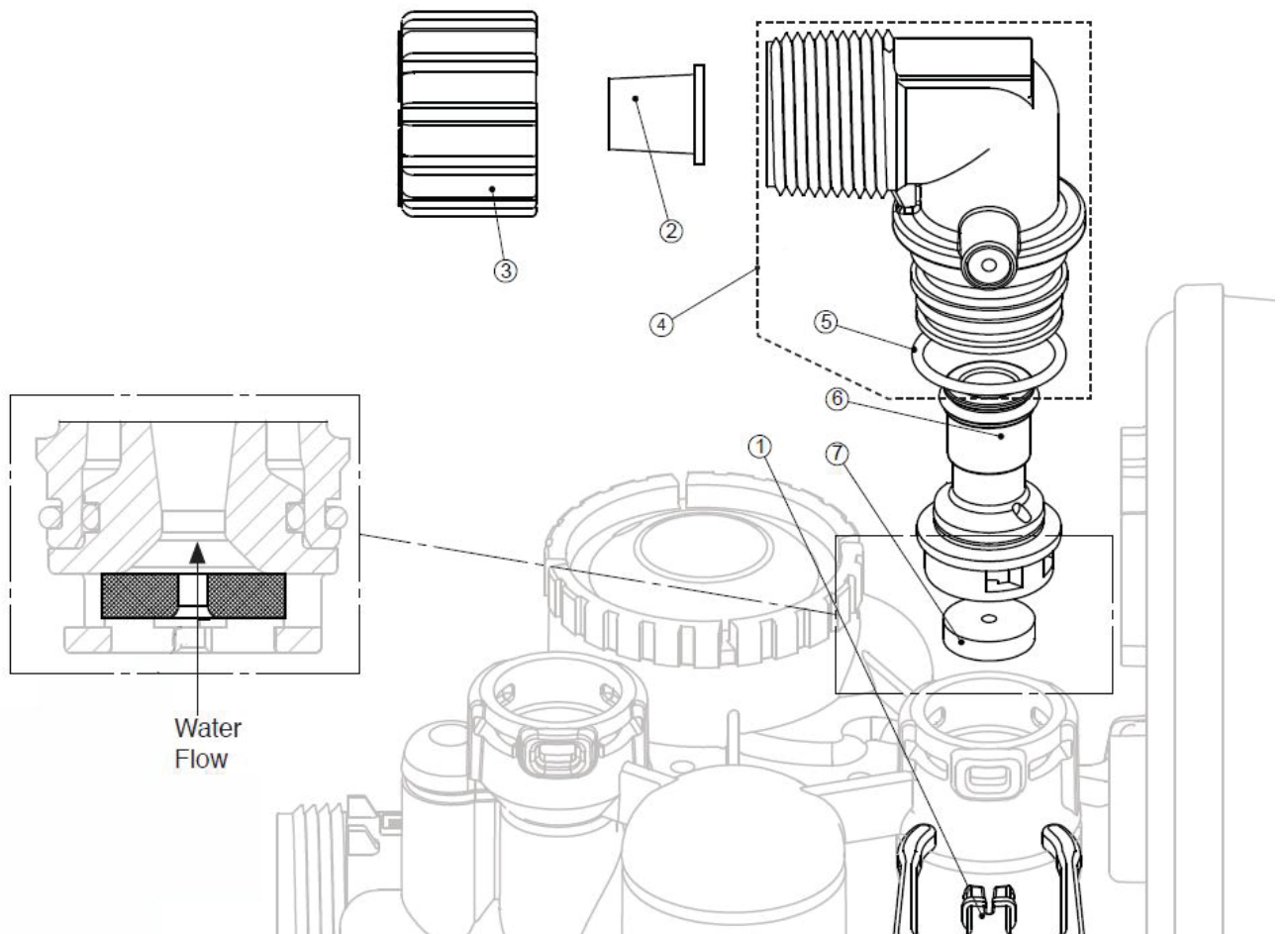
4.0

Clack Valves



Ref.	Code	Description	€
1	V3195-01	WS1 Refill Port Plug Asy	
2	H4615	Elbow Locking Clip	
3	H4628	Elbow 3/8" Liquifit	
4	V3163	O-ring 019	
5	V3165-01*	WS1 RFC Retainer Asy (0.5 gpm)	
6	V3182	WS1 RFC	
7	V4144-01	Elbow 3/8", pl, Liquifit Asy w/RFC	
NS	V3552	WS1 Brine Elbow Asy w/RFC	

SPARE PARTS 3/4" EXHAUST UNIT FOR VALVE 1" - 1" 1/4 CI - CM

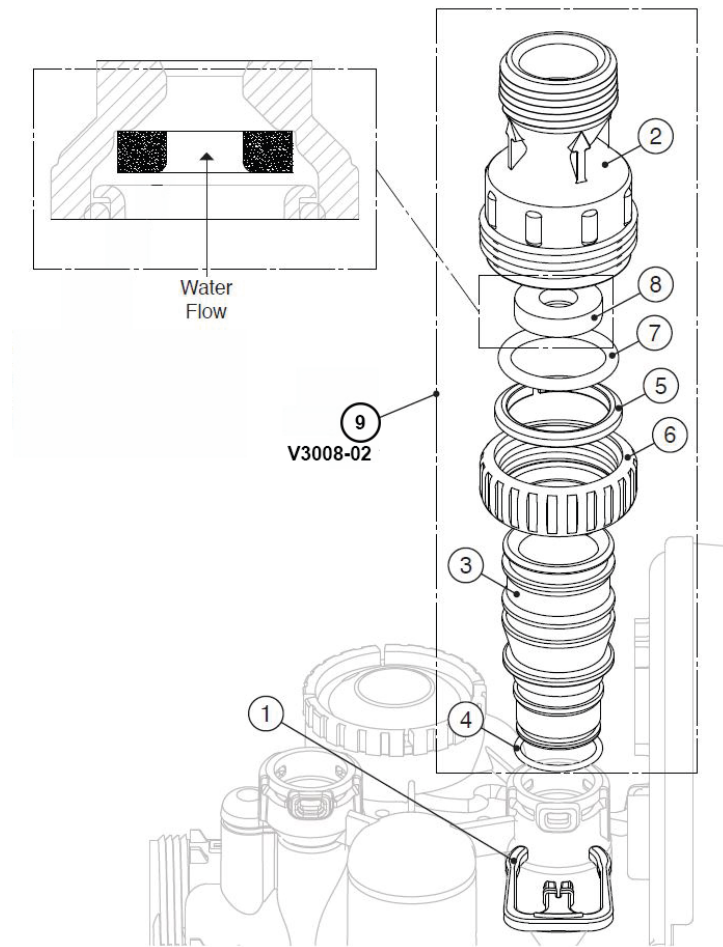


Ref.	Code	Description	€
1	H4615	Elbow Locking Clip	
2	PKP10TS8-BULK	Polytube insert 5/8	
3	V3192	WS1 Nut 3/4 Drain Elbow	
4	V3158-01	WS1 Drain Elbow 3/4 Male No Silencer	
5	V3163	O-ring 019	
6	V3159-01	WS1 DLFC Retainer ASY	
	V3162-007	WS1 DLFC 0.7 gpm for 3/4	
	V3162-010	WS1 DLFC 1.0 gpm for 3/4	
	V3162-013	WS1 DLFC 1.3 gpm for 3/4	
	V3162-017	WS1 DLFC 1.7 gpm for 3/4	
	V3162-022	WS1 DLFC 2.2 gpm for 3/4	
	V3162-027	WS1 DLFC 2.7 gpm for 3/4	
7	V3162-032	WS1 DLFC 3.2 gpm for 3/4	
	V3162-042	WS1 DLFC 4.2 gpm for 3/4	
	V3162-053	WS1 DLFC 5.3 gpm for 3/4	
	V3162-065	WS1 DLFC 6.5 gpm for 3/4	
	V3162-075	WS1 DLFC 7.5 gpm for 3/4	
	V3162-090	WS1 DLFC 9.0 gpm for 3/4	
	V3162-100	WS1 DLFC 10.0 gpm for 3/4	

SPARE PARTS EXHAUST FITTING 1" FOR VALVE 1" - 1" 1/4 CI - CM

4.0

Clack Valves



Ref.	Code	Description	€
1	H4615	Elbow Locking Clip	
2	V3166	WS1 Drain FTG Body 1 FTG Flow Control Body Female 1"	
3	V3167	WS1 Drain FTG Adapter 1"	
4	V3163	O-ring 019	
5	V3150	WS1 Split Ring	
6	V3151	WS1 Nut 1" QC	
7	V3105	O-ring 215	
8	V3190-090	WS1 DLFC 9.0 gpm for 1	
	V3190-100	WS1 DLFC 10.0 gpm for 1	
	V3190-110	WS1 DLFC 11.0 gpm for 1	
	V3190-130	WS1 DLFC 13.0 gpm for 1	
	V3190-150	WS1 DLFC 15.0 gpm for 1	
	V3190-170	WS1 DLFC 17.0 gpm for 1	
	V3190-200	WS1 DLFC 20.0 gpm for 1	
	V3190-250	WS1 DLFC 25.0 gpm for 1	
9	V3008-02	WS1 Drain Fitting 1" Straight w/Silencer	

SPARE PARTS DISCHARGE UNIT FOR VALVE 1" 1/2 PLASTIC CI - CM

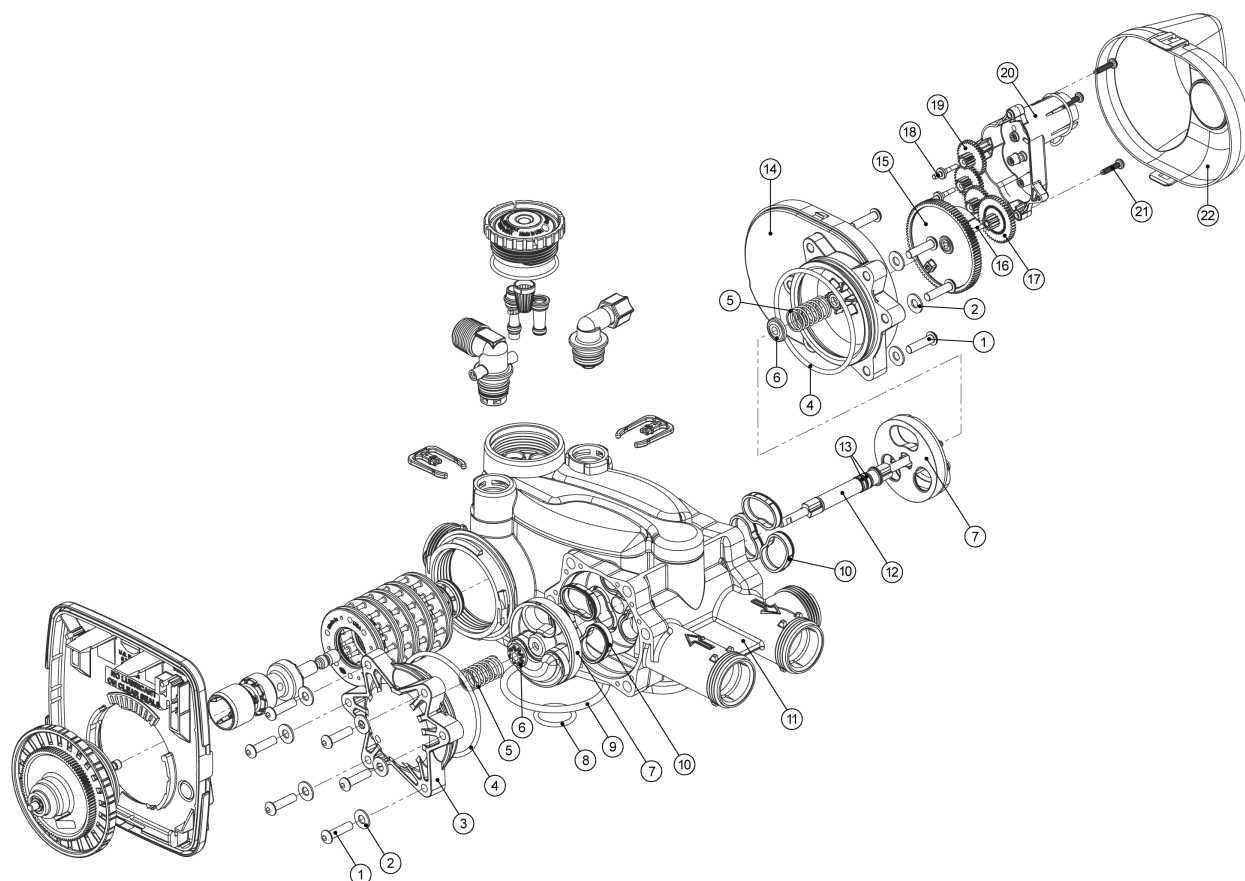


Ref.	Code	Description	€
1A	V4358	WS15P DRAIN ELBOW 1" NPT	
1B	V4359	WS15P DRAIN ELBOW 1" BSPT	
2	V4345	WS15P SPLIT RING	
3	V4344	QC NUT 1.5 PLASTIC	
4	V4367	O-RING 222	
5	V4351	FLOW CONTROL HOUSING	
6	V4352	FLOW CONTROL RETAINER	
7	V4364	O-RING 129	

SPARE PARTS TWIN BODY CI - CM

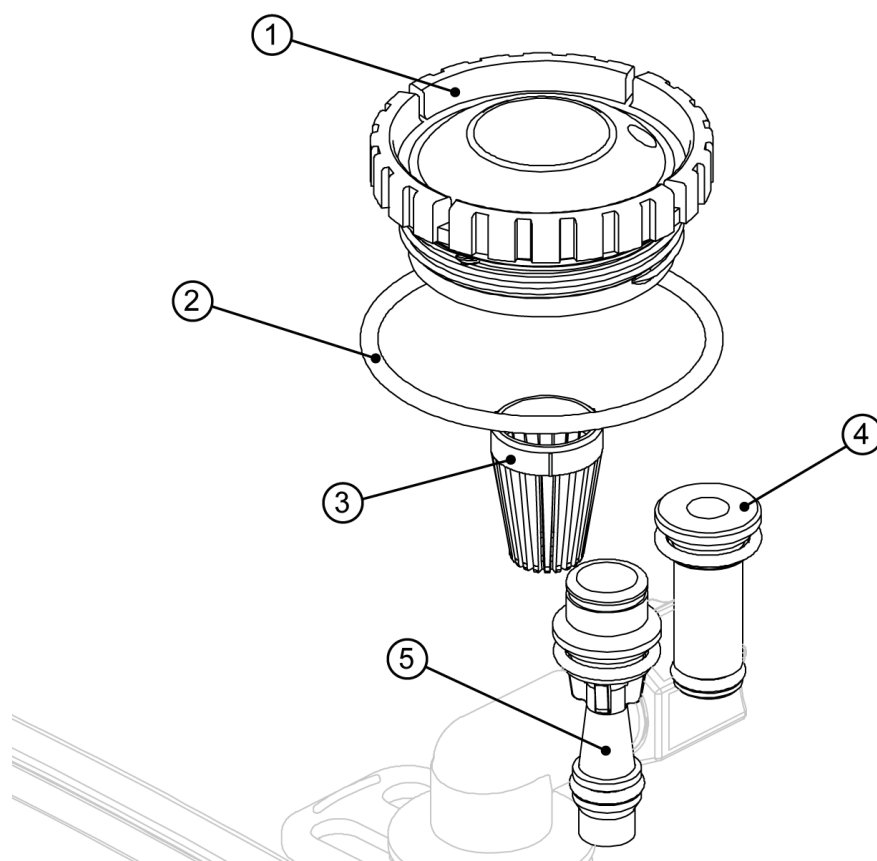
4.0

Clack Valves



Ref.	Code	Description	€
1	V3470	Screw Bhc 1/4-20 X 1 Ss	
2	V3724	Washer Flat Ss 1/4	
3	V4005-01	T1 Transfer Cap Asy	
4	V4029	O-ring 236	
5	V4015	T1 Transfer Spring	
6	V4014	T1 Transfer Spring Support	
7	V4036	T1 Rotor Disk Asy	
8	V3105	O-ring 215	
9	V3180	O-ring valve-tank o-ring 337	
10	V4016	T1 Transfer Seal	
11	V3031	T1 Body Sft Wtr Regen	
12	V4023	T1 Transfer Drive Shaft Asy	
13	V3287	O-ring 110	
14	V4006-01	T1 Transfer Drive Cap Asy	
15	V4011-01	T1 Transfer Drive Gear Asy	
16	V4012	T1 Transfer Drive Gear Axle	
17	V4013	T1 Transfer Reduction Gear	
18	V3264	WS2 Reduction Gear Axel	
19	V3110	Transmission gear with mirrors	
20	V3262-01	WS1.5/2 ALT /2 Reduction Gear Cover Assembly	
21	V3592	Screw #8-1 Phpn T-25 Ss	
22	V4049	T1 Cover Assembly	

INJECTOR UNIT SPARE PARTS FOR 1" - 1" 1/4 - TWIN



Ref.	Code	Description	Cylinder type	€
1	V3176	INJECTOR CAP		
2	V3152	O-RING 135		
3	V3177-01	INJECTOR SCREEN CAGE		
4	V3010-1Z	WS1 INJECTOR ASY Z PLUG		
5	V3010-1A	WS1 INJECTOR ASY A BLACK	6"	
5	V3010-1B	WS1 INJECTOR ASY B BROWN	7	
5	V3010-1C	WS1 INJECTOR ASY C VIOLET	8"	
5	V3010-1D	WS1 INJECTOR ASY D RED	9"	
5	V3010-1E	WS1 INJECTOR ASY E WHITE	10	
5	V3010-1F	WS1 INJECTOR ASY F BLUE	12	
5	V3010-1G	WS1 INJECTOR ASY G YELLOW	13	
5	V3010-1H	WS1 INJECTOR ASY H GREEN	14	
5	V3010-1I	WS1 INJECTOR ASY I ORANGE	6	
5	V3010-1J	WS1 INJECTOR ASY J LIGHT BLUE	18	
5	V3010-1K	WS1 INJECTOR ASY K LIGHT GREEN	21"	
NS	V3170	O-ring 011		
NS	V3171	O-ring 013		

INJECTOR UNIT SPARE PARTS FOR 1" 1/2 PLASTIC - TWIN

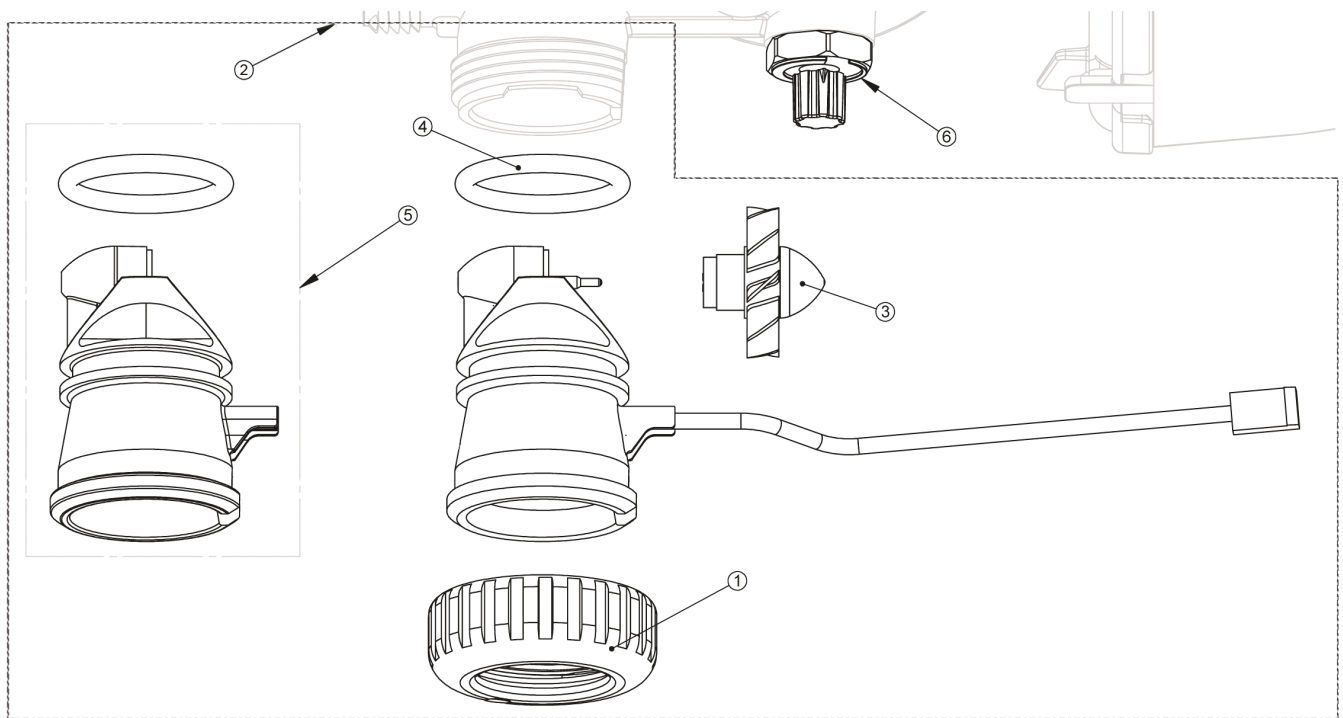


Ref.	Code	Description	€
1	V4349	WS15P INJECTOR CAP	
2	V3152	O-RING 135	
3	V4120	INJECTOR SCREEN	
4	V4350-15Z	WS15P INJECTOR FEED PLUG	
5	V3010-15Z	WS15 INJECTOR PLUG ASY	
6	V3010-15X	WS15 INJECTOR ASY	



Ref.	Code	Description	Injector colour	Cylinder diameter for DF systems
1	V3010-15B	WS1.5 Injector Asy B	Violet	12
	V3010-15C	WS1.5 Injector Asy C	Prep	13
	V3010-15D	WS1.5 Injector Asy D	White	14
	V3010-15E	WS1.5 Injector Asy E	Blue	6
	V3010-15F	WS1.5 Injector Asy F	Yellow	18
	V3010-15G	WS1.5 Injector Asy G	Green	21"
	V3010-15H	WS1.5 Injector Asy H	Orange	24
2	V3010-15Z	WS1.5 Injector Plug		N/A

TURBINE SPARE PARTS FOR 1" - 1" 1/4 - TWIN

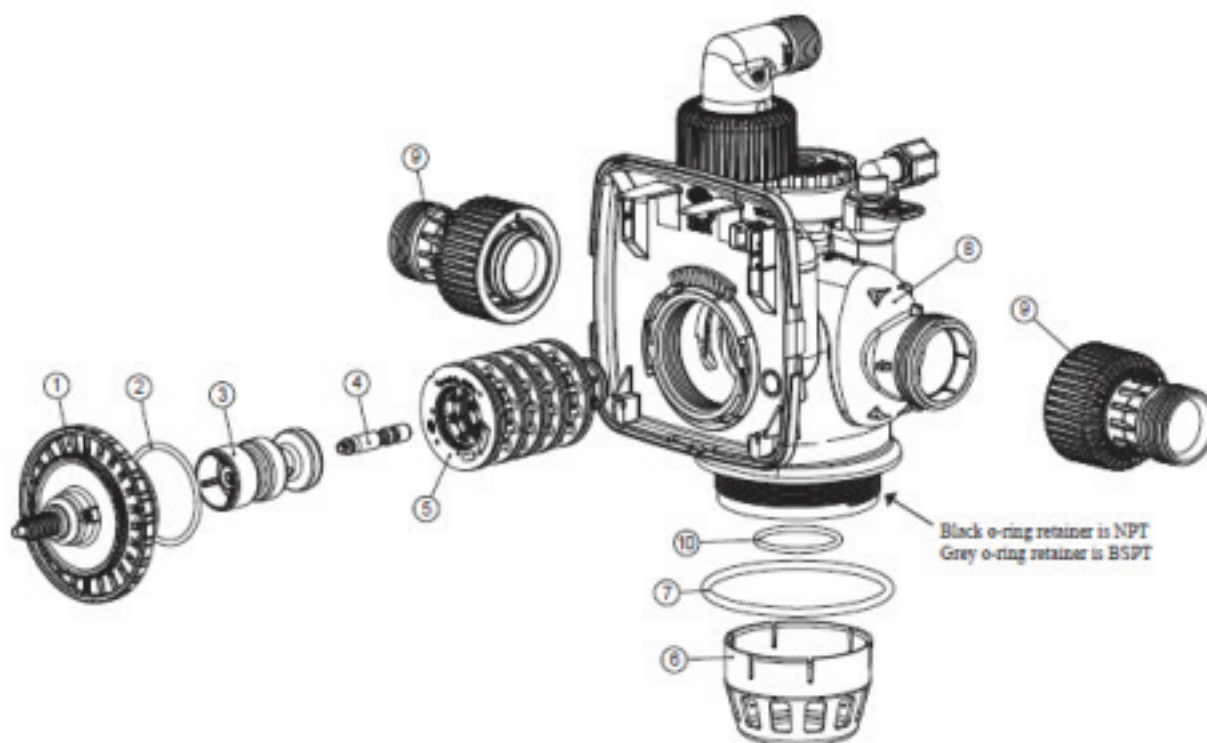


Ref.	Code	Description	€
1	V3151	WS1 Nut 1" Qc	
2	V3003	WS1 Meter Asy	
3	V3118-01	WS1 Turbine Asy	
4	V3105	O-ring 215	
5	V3003-01	WS1 Meter Plug Asy	
6	V3013	Mixing Valve	

SPARE PARTS VALVE BODY 1" 1/2 PLASTIC CI - CM

4.0

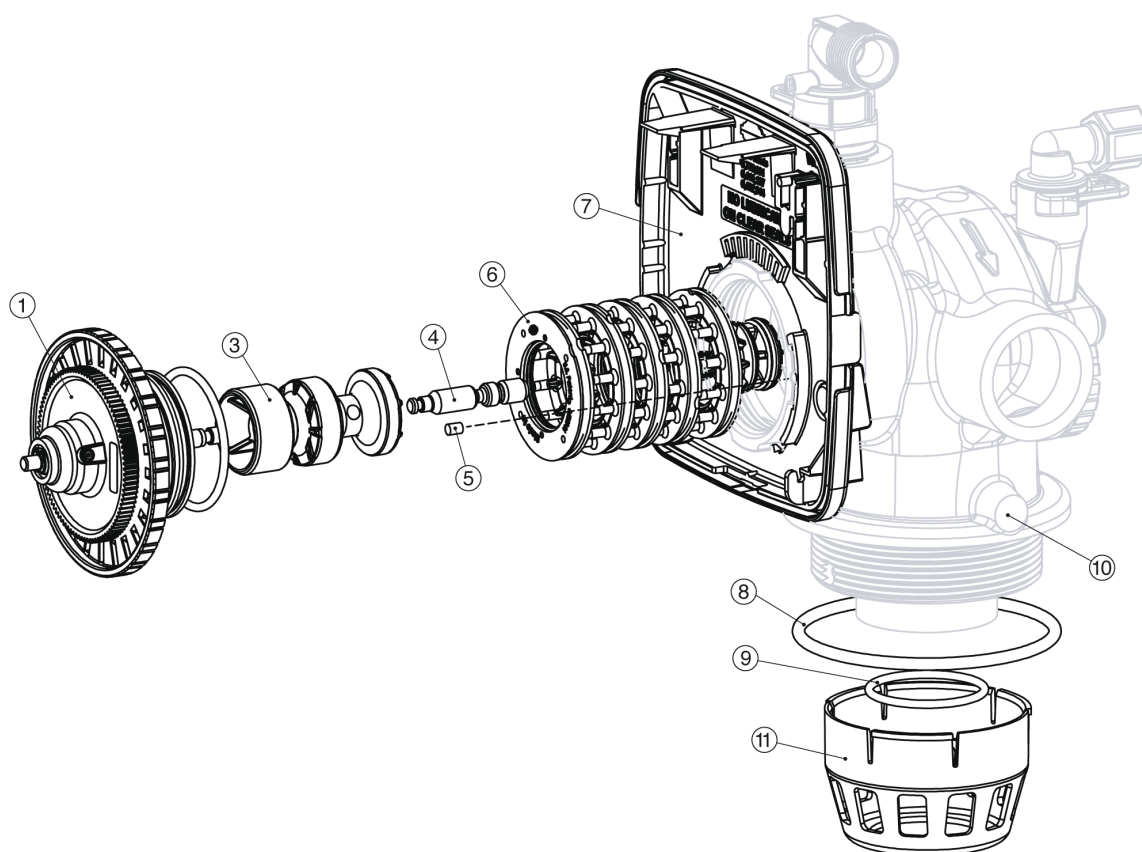
Clack Valves



Ref.	Code	Description	€
1	V3004	WS1 Drive Cap Assembly	
2	V3135	O-Ring 228	
3	V3407	WS1.25/1.5 Piston Downflow Assembly (Amber In Color)	
3	V4042	WS1.25/1.5 Piston Upflow Assembly (Black In Color)	
4	V3174*	WS1 Regenerant Piston	
5	V3430-01	WS1.5 Backplate Dowel	
6	D1300	TOP BAFFLE DIFFUSER 1.5/55MM	
7	V3419	O-RING 347	
8	V4400-NPT	WS15P NPT BODY ASSEMBLY	
	V4400-BSPT	WS15P BSPT BODY ASSEMBLY	
9	V4430-01	WS15P FTG ASY QC TO NPT	
	V4430-02	WS15P FTG ASY QC TO BSPT	
10	V3641	O-RING 225 FOR VALVE BODIES WITH NPT THREADS	
	V3441	O-RING 226 FOR VALVE BODIES WITH BSPT THREADS	

* V3174 Regenerating piston not used for filter valves. Use blind injector V3010-15Z and cap assembly V3195-01.

SPARE PARTS VALVE BODY 1" 1/2 CI - CM

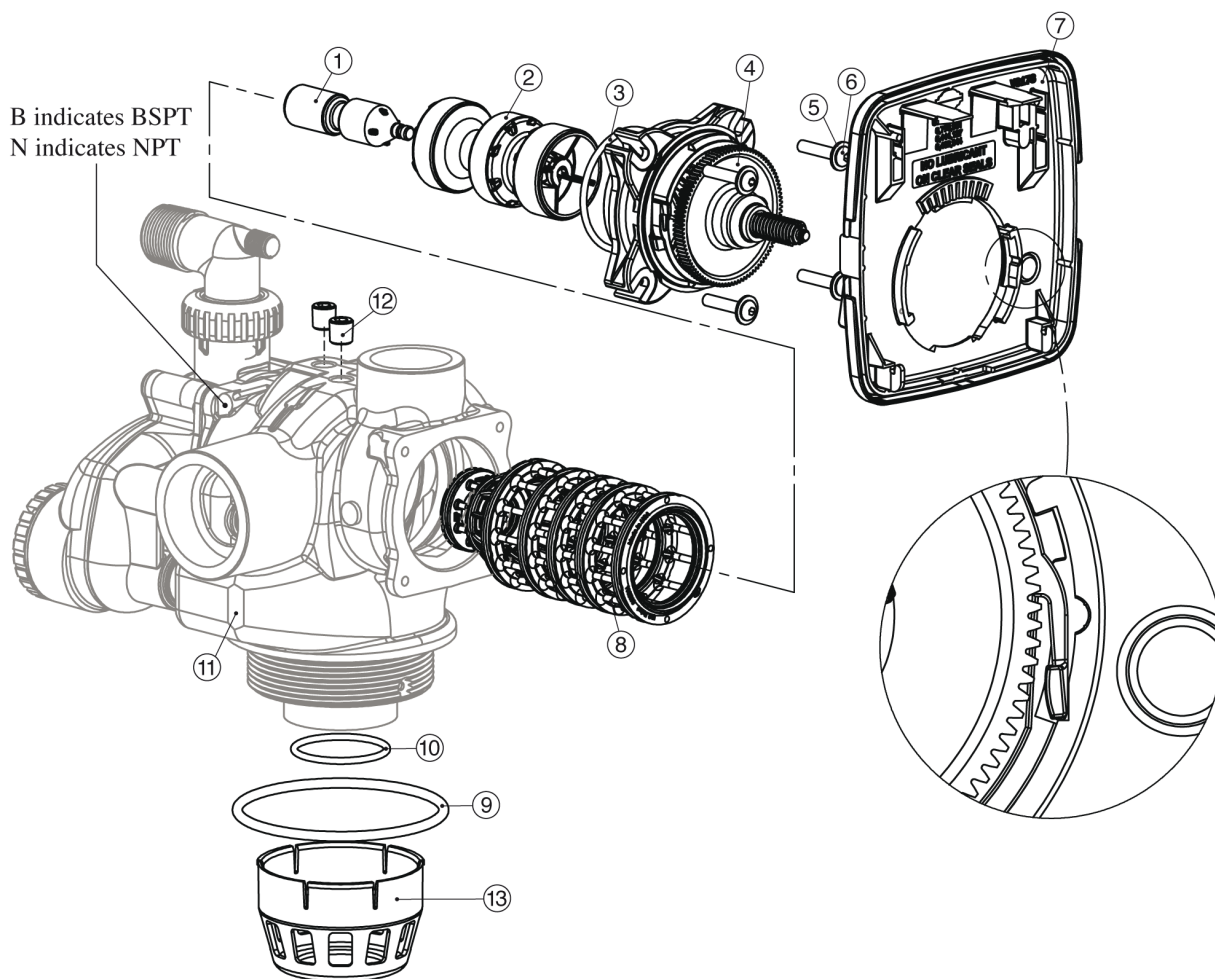


Ref.	Code	Description	€
1	V3004	WS1 Drive Cap Assembly	
2	V3135	O-Ring 228	
3	V3407	WS1.25/1.5 Piston Downflow Assembly (Amber In Color)	
3	V4042	WS1.25/1.5 Piston Upflow Assembly (Black In Color)	
4	V3174	WS1 Regenerant Piston	
5	V3423	WS1.5 Backplate Dowel	
6	V3430	WS1.5 Spacer Stack Assembly	
7	V3178	WS1 Drive Backplate	
8	V3419	O-Ring 347	
9	V3441	O-Ring 226 For Valve Bodies With Bspt Threads	
11	D1300	Top Baffle Diffuser, 1.5/50Mm	

SPARE PARTS VALVE BODY 2" CI - CM

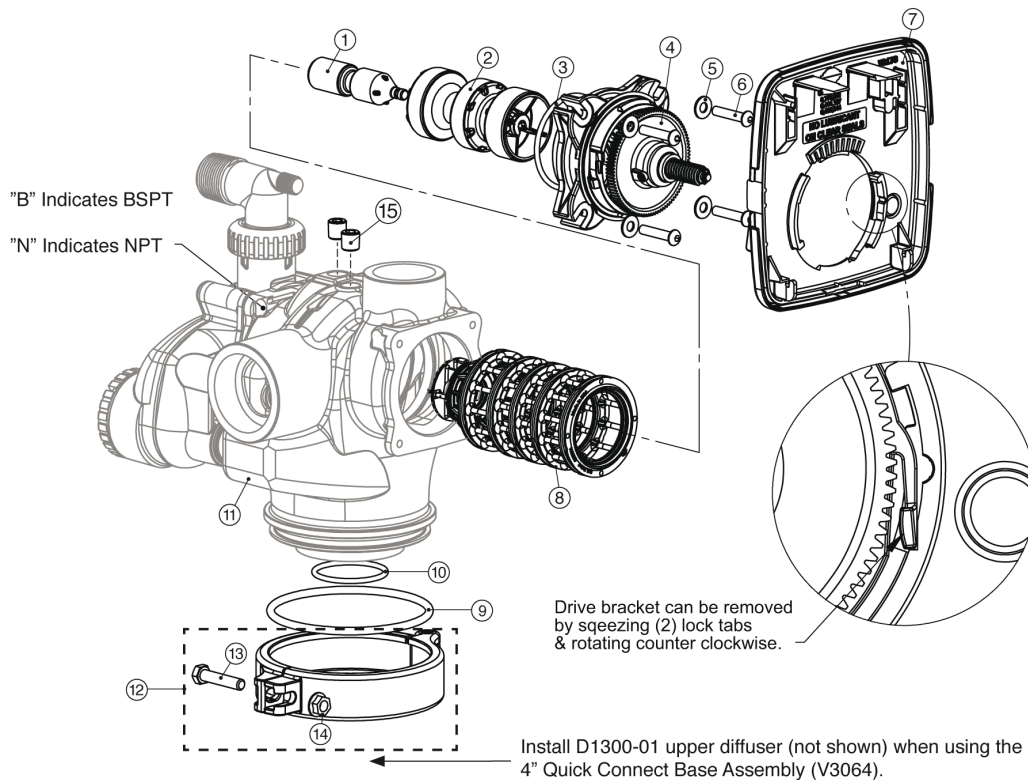
4.0

Clack Valves



Ref.	Code	Description	€
1	V3726	WS2 Brine Piston Assembly	
2	V3725	WS2 Piston Downflow Assembly (Amber In Color)	
2	V4059	WS2 Piston Upflow Assembly (Black In Color)	
3	V3452	O-ring 230	
4	V3728	WS2 Drive Cap Assembly	
5	V3724	Washer Flat Ss 1/4	
6	V3642	Bolt Bhcs Ss 1/4-20 X 1.25	
7	V3178	WS1 Drive Backplate	
7	V3946	WS Wide Back Plate Cm	
8	V3729	WS2 Stack Downflow Assembly (Black In Color)	
8	V3729-01	WS2 Stack Upflow Assembly (Black And Grey In)	
9	V3419	O-ring 347	
10	V3441	O-ring 226 For Valve Bodies With Bspt Threads	
13	D1300	Top Baffle Dfsr Clack 1.5/50Mm	

SPARE PARTS VALVE BODY 2" QC CI - CM

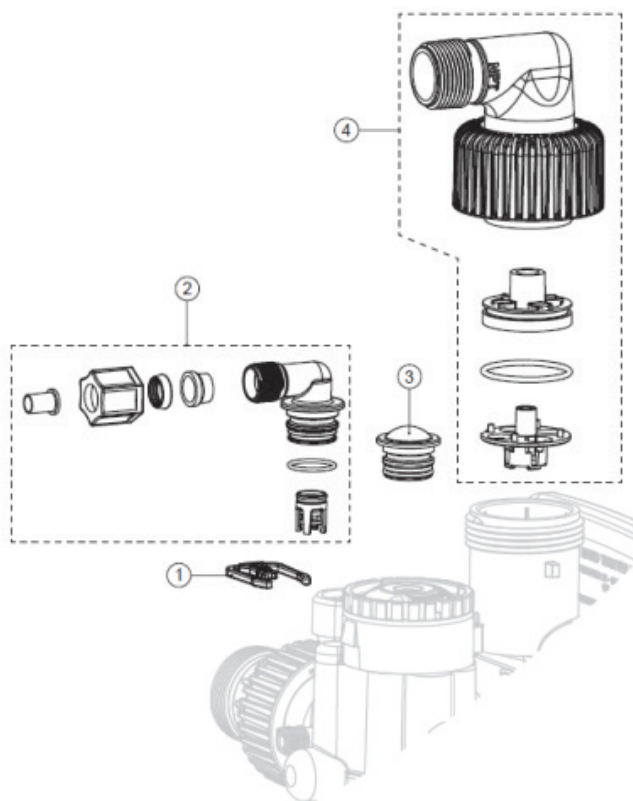


Ref.	Code	Description	€
1	V3726	WS2 Brine Piston Assembly	
1	V3054	WS2 QC/2H 4" Base Clamp Assembly	
2	V3725	WS2 Piston Assy Downflow (color amber)	
2	V4059	WS2 Piston Assembly Upflow (color black)	
3	V3452	O-Ring 230 (Drive Cap Assy)	
4	V3728	WS2 Drive Cap Assembly	
5	V3724	Washer Flat SS 1/4	
6	V3642	Bolt BHCS SS 1/4-20 x 1.25	
7	V3178	Backplate for gears for WS1CI, WS1TC & WS1.5CI	
7	V3946	WS Wide Back Plate CM	
8	V3729	WS2 Stack Assembly Downflow	
8	V3729-01	WS2 Stack Assembly Upflow (color black and gray)	
9	V3279	O-Ring 346 (WS2H Body)	
10	V3280	O-Ring 332	
10	V3452	WS2 O-Ring 230	
11	V3737BSPT-01	WS2 Body QC BSPT	
12	V3054	WS2 4" base clamp assembly	
13	V3276	WS2H bolt HEX 5/16 - 18 XI-3/4	
14	V3269	WS2H nut 5/16 - 18 HEX NPT	
15	V3468	WS2H plug 1/4 - 18 SS HEX	
NS	D1300-01	Top Baffle Diffuser 2"/63mm	

SPARE PARTS SUCTION UNIT 1" 1/2 PLASTIC CI - CM

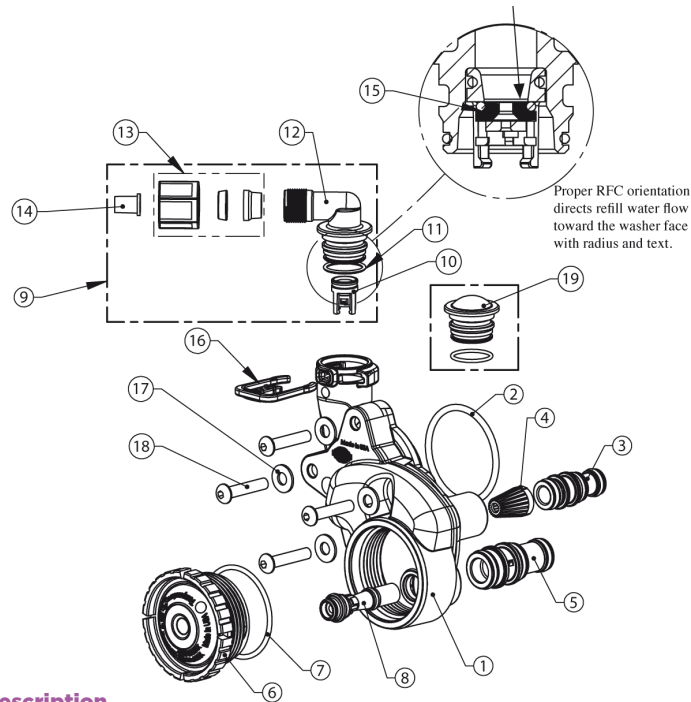
4.0

Clack Valves



Ref.	Code	Description	€
1	H4615	RETAINING CLIP	
2	V3498	WS15 BRINE ELBOW ASY W/RFC ½	
3	V3195-01	REFILL PORT PLUG ASY	
4	V4430-04NPT	WS15P NPT DRAIN KIT	
4	V4430-04BSPT	WS15P BSPT DRAIN KIT	

SPARE PARTS SUCTION UNIT 1" 1/2

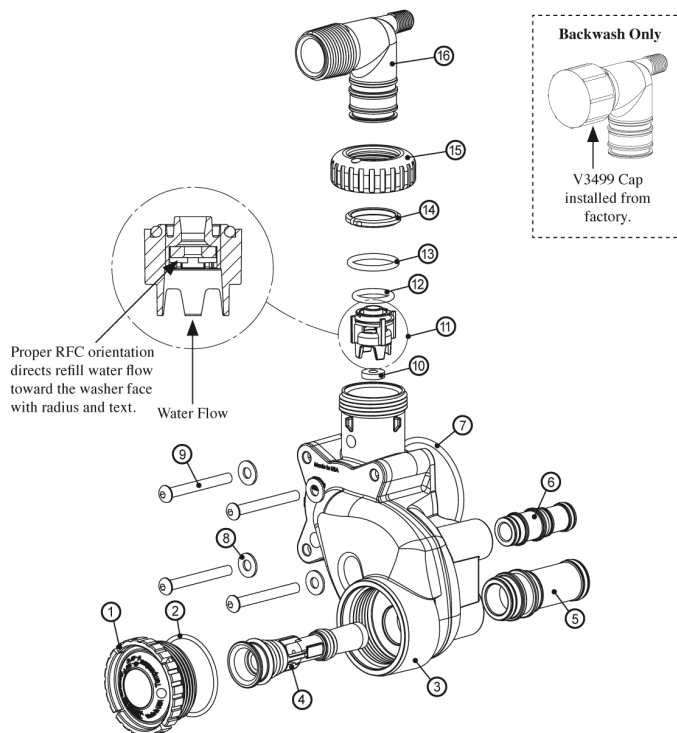


Ref.	Code	Description	€
1	V3967	WS1.5 injector body, welded assembly	
2	V3441	O-ring -226	
3	V3968	WS1.5 injector feed tube downflow (black)	
3	V3968-01	WS1.5 injector feed tube upflow (grey)	
4	V3177-01	WS1 injector screen	
5	V3969	WS1.5 injector draw tube downflow (black)	
5	V3969-01	WS1.5 injector draw tube upflow (grey)	
6	V3176	WS1 injector cap	
7	V3152	O-ring -135	
8	V3010-15D	Injector white for valve 1"1/2 x 14"	
8	V3010-15E	Injector blu for valve 1" 1/2 x 16"	
8	V3010-15F	Injector yellow for valve. 1) 1/2 x 18	
8	V3010-15G	Injector green for valve 1" 1/2 x 21"	
8	V3010-15H	Injector orange for valve 1"1/2 x 24"	
8	V3010-15I	WS15/2I injector assembly i x 30"	
8	V3010-15Z	Injector blind x ws1.5ci filt	
9	V3498	WS 1.5 injector refill flow control, 1/2"	
10	V3428	WS 1.5 refill retainer assembly (0.5 gpm)	
11	V3163	O-ring -019	
12	H4612	Regenerant elbow w/flow control	
13	JCPG-8PBLK	Nut, compression, 1/2" black	
14	JCP-P-8	Insert, polytube 1/2"	
15	V3182	Refill flow control (0.5 gpm)	
16	H4615	Retaining clip	
17	V3724	Washer, flat stainless steel	
18	V3642	Bolt, bhcs stainless steel 1/4-20x 1 1/4	
19	V3195-01	Refill port plug	

2" INTAKE UNIT SPARE PARTS

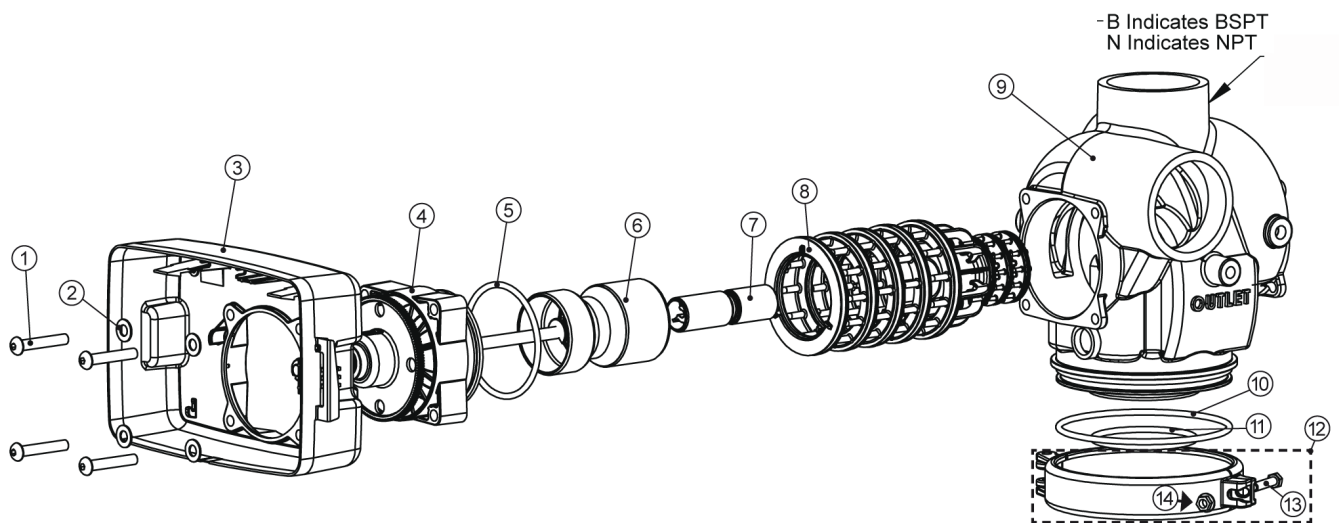
4.0

Click Valves



Ref.	Code	Description	€
1	V3477	WS2H/3 Injector Cap Machined	
2	V3152	Injector plug o-ring 135	
3	V3727	WS2 Injector Body Assembly	
4	V3010-2T-15D	WS2/2H/3 Injector Assembly white x 14"	
4	V3010-2U-15E	WS2/2H/3 Injector Assembly blu x 16"	
4	V3010-2A	WS2/2H/3 Injector Assembly A x 18"	
4	V3010-2B	WS2/2H/3 Injector Assembly B x 21"	
4	V3010-2C	WS2/2H/3 Injector Assembly C x 24"	
4	V3010-2D	WS2/2H/3 Injector Assembly D x 30"	
4	V3010-2E	WS2/2H/3 Injector Assembly E x 36"	
4	V3010-2F	WS2/2H/3 Injector Assembly F x 42"	
4	V3010-2G	WS2/2H/3 Injector Assembly G x 48"	
5	V3731	WS2 Injector Draw Tube Assy Downflow (color black)	
5	V3731-01	WS2 Injector Draw Tube Upflow (color gray)	
6	V3730	WS2 Injector Feed Tube Assy Downflow (color black)	
6	V3730-01	WS2 Injector Feed Tube Upflow (color gray)	
7	V3315	O-ring 231 (WS2H Injector Housing)	
8	V3724	Washer Flat SS 1/4	
9	V3643	Bolt BHCS SS 1/4" 20X2,25	
10	V3162-022	DLFC 2.2 GPM x exhaust 3/4	
11	V3231	WS2/2H/3 Refill Flow Control Retainer	
12	V3277	O-ring 211 (Refill Flow Control Assy)	
13	V3105	O-ring 215 in-out fitting	
14	V3150	In/out fitting ring	
15	V3151	WS1 Nut 1" QC	
16	V3149	WS1 Fitting 1" PVC Male NPT Elbow	

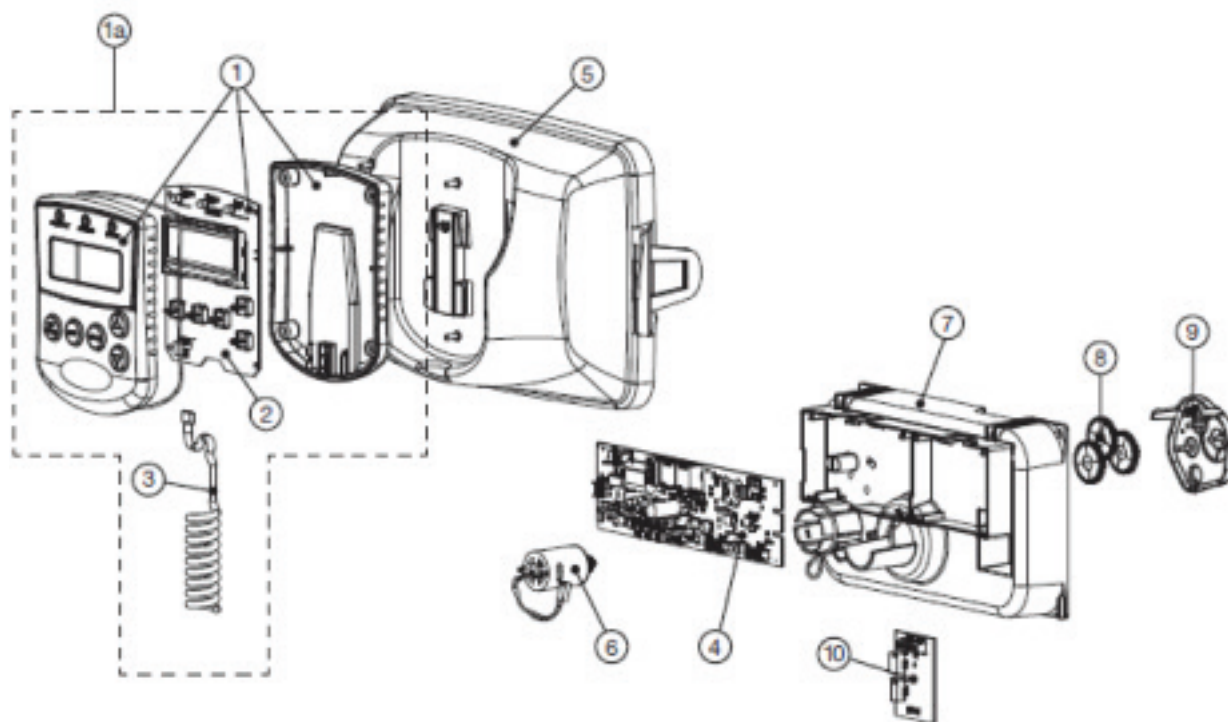
SPARE PARTS VALVE BODY 3"



Install V3672 upper diffuser (not shown) when using the 6" Flange Base (V3090) →

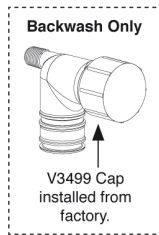
Ref.	Code	Description	€
1	V3274	WS2 screw BTNSKT HD SS 3/8" - 16X2	
2	V3291	WS2 Washer SS 3/8"	
3	V3225	WS2H/3 Back Plate	
4	V3093	WS3 Drive Assembly	
5	V3289	O-ring 344 (WS2H/3 Drive Cap)	
6	V3666-01	WS3 Piston	
7	V3238-01	WS2H/3 Brine Piston	
8	V3092	WS3 Stack Assembly	
9	V3667BSPT-03	WS3 BSPT body W/V3465 plug	
10	V3763	O-ring 361 (WS3 Body)	
11	V3762	O-ring 341 (For Valve Bodies W/NPT or BSPT Threads)	
12	V3091	WS3 Base Clamp Assembly	
13	V3276	WS2 bolt HEX SS 5/16"-18X1 3/4	
NS	V3672	WS3 Top Baffle Diffuser 3"/90mm	

3H TIMER SPARE PARTS NEW

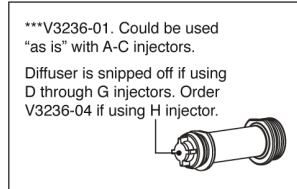
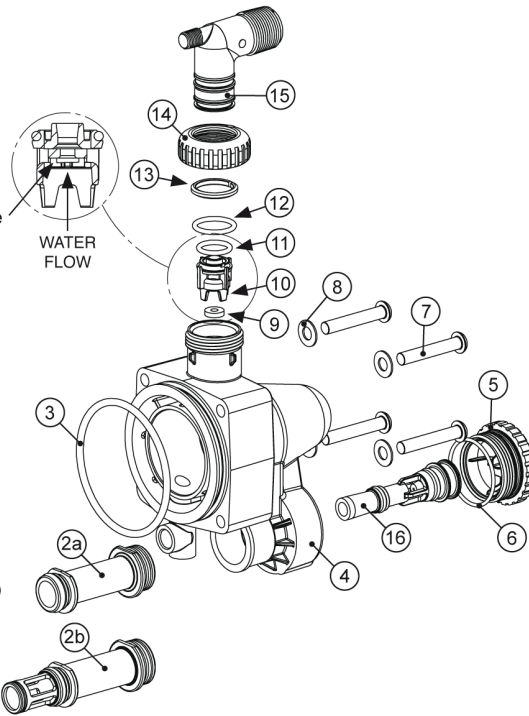


Ref.	Code	Description	€
1	V3068	WS2H/3 Pod front/back covers	
1a	V3082-01	WS2H/3 Graphics pod asy w/brd	
2	V3241-02BOARD	WS2H/3 display grph pod pcb repl	
3	V3248-01	WS2H/3 graphics pod cable	
4	V3242-03BOARD	WS2H/3 lv w/ modbus pcb repl	
5	V3224-01R	WS2H/3 Cover asy platinum	
6	V3107-01	WS1 Motor asy	
7	V3226-01	WS2H/3 Drive bracket asy	
8	V3110	WS1 Drive gear 12x36	
9	V3109	WS1 Drive gear cover	
10	V4427	WS2H/3 pcb relay exp kit	
NS	V3461-02	WS2H/3 24VDC 0.8A PWR SUPPLY	
NS	V3461EU-02	WS2H/3 24VDC 0.8A EU PWRSUPPLY	
NS	V3461UK-02	WS2H/3 24VDC 0.8A UK PWRSUPPLY	

SUCTION UNIT SPARE PARTS 3H



Proper RFC orientation directs refill water flow towards the washer face with radius and text.

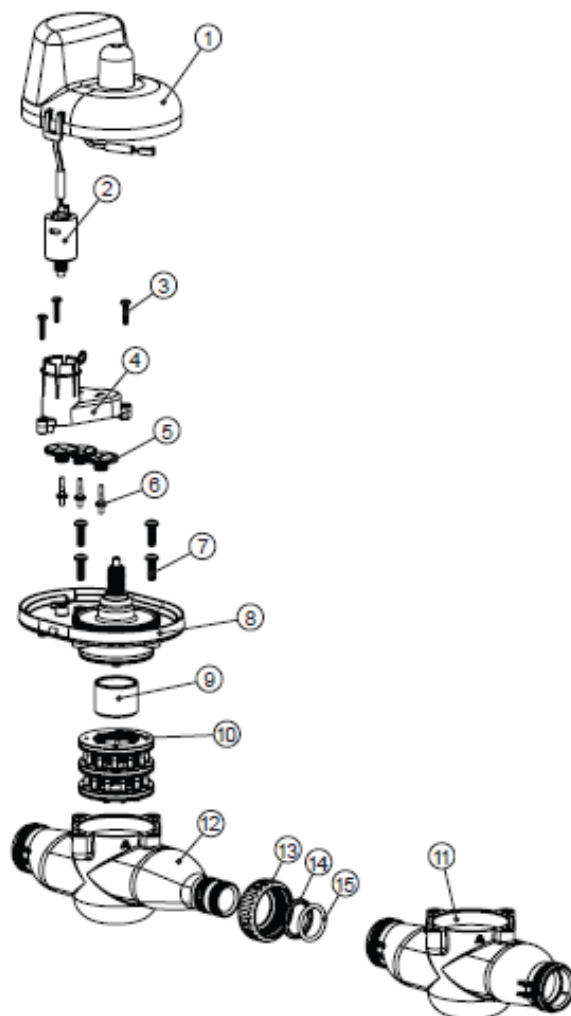


Ref.	Code	Description	€
1	V3237-01	WS2H/3 Soft Water Fill Tube Assembly	
2a	V3236-04	WS2H Injector Tube Assembly A through H	
2b	V3670-01	WS3 Injector Tube Downflow Assembly	
3	V3289	O-ring 344	
4	V3067	WS2H/3 Brine Body Assembly	
5	V3477	WS2H/3 Injector Cap Machined	
6	V3152	Injector plug o-ring 135	
7	V3275	WS2 screw BSHD SS 3/8"-16X2 1/4"	
8	V3291	WS2 Washer SS 3/8"	
9	V3162-022	DLFC 2.2 GPM for drain 3/4	
10	V3231	WS2/2H/3 Refill Flow Control Retainer	
11	V3277	O-Ring 211 (Refill Flow Control Assy)	
12	V3105	O-Ring 215 in-out fitting	
13	V3150	In/out fitting ring	
14	V3151	Plastic ferrule in/out fitting	
15	V3149	WS1 Fitting 1" PVC Male NPT Elbow	
16	V3010-2A	WS2/2H/3 Injector Assembly A x 18"	
16	V3010-2B	WS2/2H/3 Injector Assembly B x 21"	
16	V3010-2C	WS2/2H/3 Injector Assembly C x 24"	
16	V3010-2D	WS2/2H/3 Injector Assembly D x 30"	
16	V3010-2E	WS2/2H/3 Injector Assembly E x 36"	
16	V3010-2F	WS2/2H/3 Injector Assembly F x 42"	
16	V3010-2G	WS2/2H/3 Injector Assembly G x 48"	
16	V3010-2H	WS2H/3 Injector Assembly grey H x 63"	
NS	V3189	WS1 Fitting 3/4" & 1" PVC Solvent Elbow	
NS	V3499	WS2H/3 Fitting Cap 1" Threaded	
NS	V3797	WS1 Fitting 1" PVC Male BSPT Elbow	

SPARE PARTS 2-WAY VALVE 1" & 1.25" FF FM

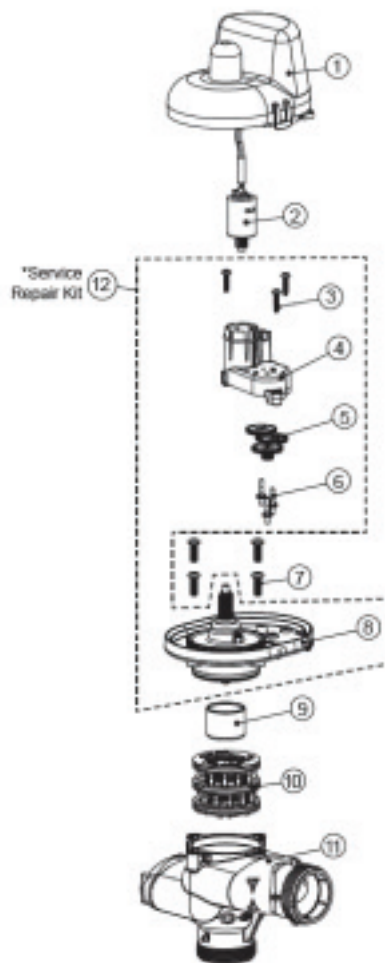
4.0

Clack Valves



Ref.	Code	Description	€
1	V3073	MAV/NOHWBY COVER ASY	
2	V3476	WS MOTOR ASY 8 FT	
3	V3592	SCREW #8-3/4 PHPN T-25 SS	
4	V3262-01	WS1.5&2ALT/2BY REDUCGEARCVRAS	
5	V3110	WS1 DRIVE REDUCING GEAR 12X36	
6	V3264	WS2 BYPASS REDUCTION GEAR AXLE	
7	V3527	SCREW 1/4-20 X 3/4 BHSCS SS	
8	V3072	MAV/NOHWBY 1/125/15 DRIVE ASY	
9	V3506-01	MAV/NOHRD 1/125/15 PISTON	
10	V3074	MAV/NOHWBY 1/125/15 STACK ASY	
11	V3521FF	NOHRD WTR BYPASS BODY ASY F-F	
12	V3521FM	NOHRD WTR BYPASS BODY ASY F-M	
13	V3151	WS1 NUT 1 QC	
14	V3150	WS1 SPLIT RING	
15	V3105	O-RING 215	

SPARE PARTS 2-WAY VALVE 1.5" PLASTIC

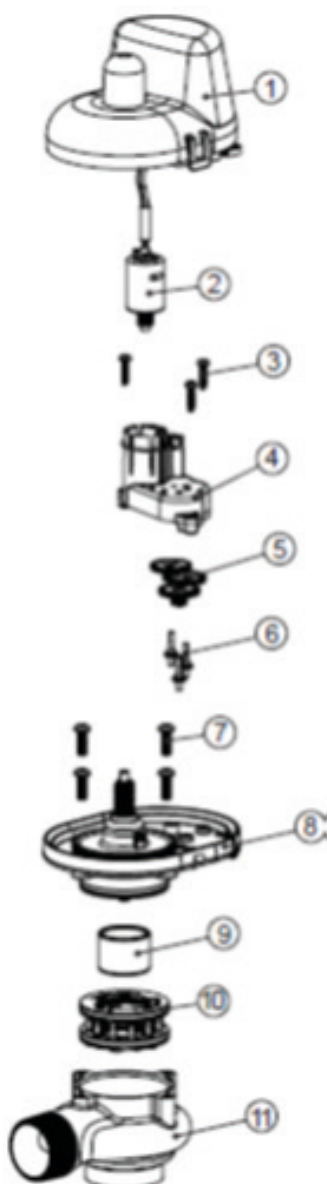


Ref.	Code	Description	€
1	V3073	MAV/NOHWBY COVER ASY	
2	V3476	WS MOTOR ASY 8 FT	
3	V3592	SCREW #8-1 PHPN T-25 SS	
4	V3262-01	WS REDUCTION GEAR COVER ASY	
5	V3110-01	WS1 DRIVE REDUCING GEAR PLAIN	
6	V3264	WS2 BYPASS REDUCTION GEAR AXLE	
7	V3527	SCREW 1/4-20 X 3/4 BHSCS SS 5/32" HEX ALLEN WRENCH REQUIRED)	
8	V3072	MAV/NOHWBY 1/125/15 DRIVE ASY	
9	V3506-01	MAV/NOHRD 1/125/15 PISTON	
10	V3074	MAV 1/125/15 STACK ASY	
11	V4380	WS15P NHWBY BONDED BODY	
12	V3042	WS1/1.25/1.5 MAV & NHWB SERVICE PACK	
Not Shown	V3805	STRAIN RELIEF COVER KIT	

SPARE PARTS 2-WAY VALVE 1.5"

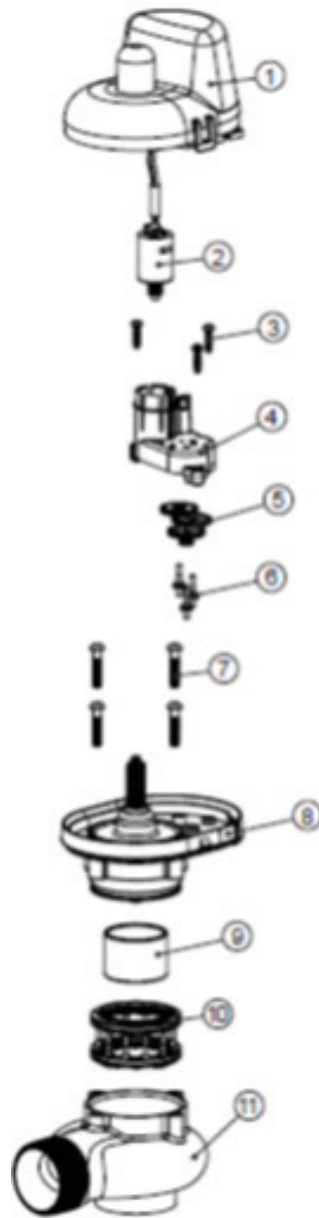
4.0

Clack Valves



Ref.	Code	Description	€
1	V3073	MAV/NOHWBY COVER ASY	
2	V3476	WS MOTOR ASY 8 FT	
3	V3592	SCREW #8-3/4 PHPN T-25 SS	
4	V3262-01	WS1.5&2ALT/2BY REDUCGEARCVASY	
5	V3110-01	WS1 DRIVE REDUCING GEAR PLAIN	
6	V3264	WS2 BYPASS REDUCTION GEAR AXLE	
7	V3527	SCREW 1/4-20 X 3/4 BHSCS SS 5/32" HEX ALLEN WRENCH REQUIRED)	
8	V3072	MAV/NOHWBY 1/125/15 DRIVE ASY	
9	V3506-01	MAV/NOHRD 1/125/15 PISTON	
10	V3886	WS15 NHWBY STACK ASY	
11	V3832BSPT-01	WS15 NHWBY BODY M X F BSPT	
Not Shown	V3805	STRAIN RELIEF COVER KIT	

SPARE PARTS 2-WAY VALVE 2"

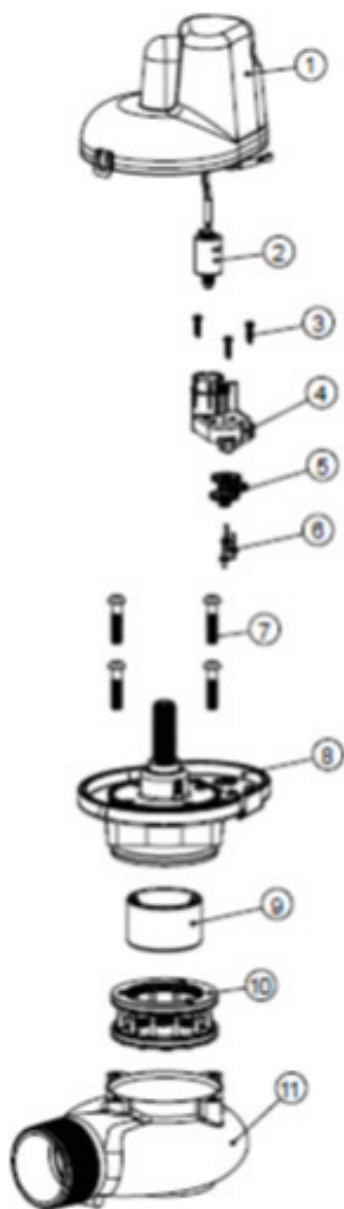


Ref.	Code	Description	€
1	V3073	MAV/NOHWBY COVER ASY	
2	V3476	WS MOTOR ASY 8 FT	
3	V3592	SCREW #8-3/4 PHPN T-25 SS	
4	V3262-01	WS1.5&2ALT/2BY REDUCGEARCVASY	
5	V3110-01	WS1 DRIVE REDUCING GEAR PLAIN	
6	V3264	WS2 BYPASS REDUCTION GEAR AXLE	
7	V3642	SCREW 1/4-20 X 1 1/4 BHSCS SS (5/32" HEX ALLEN WRENCH REQUIRED)	
8	V3078	MAV/NOHWBY 2 DRIVE ASY	
9	V3634-01	MAV/NOHWBY 2 PISTON	
10	V3887	WS2 NHWBY STACK ASY	
11	V3828BSPT-01	WS2 NHWBY BODY M X F BSPT	
Not Shown	V3805	STRAIN RELIEF COVER KIT	

SPARE PARTS 2-WAY VALVE 3"

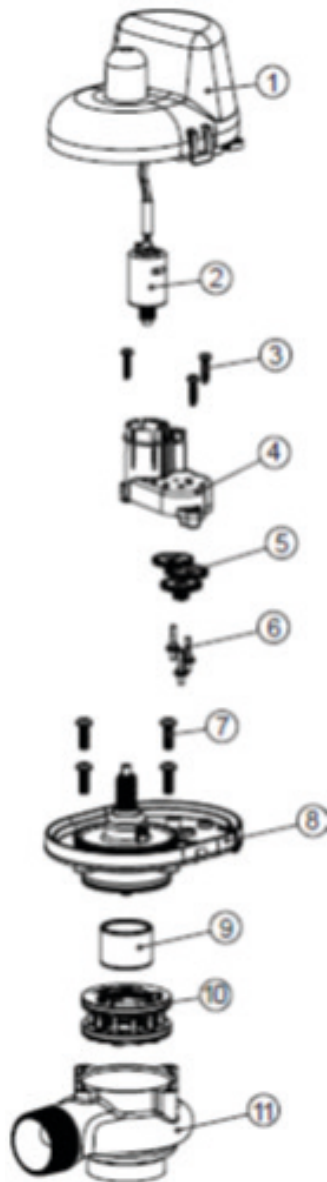
4.0

Clack Valves



Ref.	Code	Description	€
1	V3696	WS3 MAV COVER	
2	V3476	WS MOTOR ASY 8 FT	
3	V3592	SCREW #8-3/4 PHPN T-25 SS	
4	V3262-01	WS 1.5&2ALT/2BY REDUCGEARCVASY	
5	V3110-01	WS1 DRIVE REDUCING GEAR PLAIN	
6	V3264	WS2 BYPASS REDUCTION GEAR AXLE	
7	V3789	SCREW 3/8-16 X 1.75 BHCS SS (7/32" hex allen wrench required)	
8	V3085	WS3 MAV DRIVE CAP ASY	
9	V3695-01	WS3 MAV PISTON	
10	V3888	WS3 NHWBY STACK ASY	
11	V3830BSPT-01	WS3 NHWBY M X F BODY BSPT	

SPARE PARTS 3-WAY VALVE 1" & 1.25" FF MM

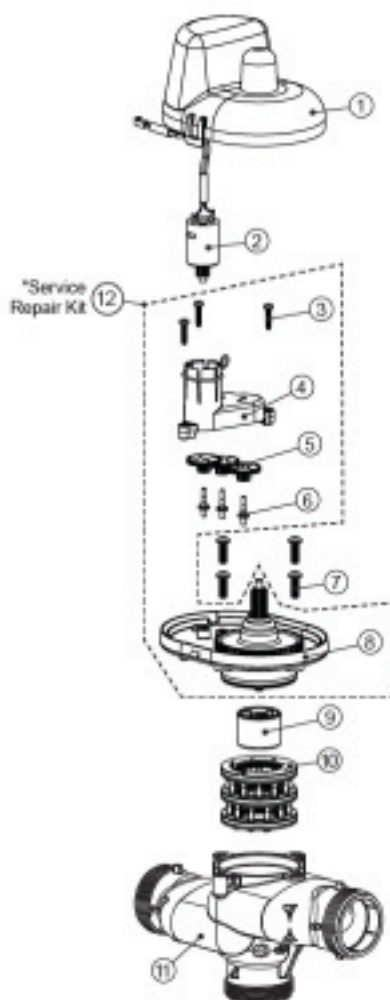


Ref.	Code	Description	€
1	V3073	MAV/NOHWBY COVER ASY	
2	V3476	WS MOTOR ASY 8 FT	
3	V3592	SCREW #8-3/4 PHPN T-25 SS	
4	V3262-01	WS1.5&2ALT/2BY REDUCGEARCVASY	
5	V3110-01	WS1 DRIVE REDUCING GEAR PLAIN	
6	V3264	WS2 BYPASS REDUCTION GEAR AXLE	
7	V3527	SCREW 1/4-20 X 3/4 BHSCS SS	
8	V3072	MAV/NOHWBY 1/125/15 DRIVE ASY	
9	V3506-01	MAV/NOHRD 1/125/15 PISTON	
10	V3074	MAV/NOHWBY 1/125/15 STACK ASY	
11	V3504FF	MAV BODY 1/125 ASY F-F	
12	V3504MM	MAV BODY 1/125 ASY M-M	
13	V3151	WS1 NUT 1 QC	
14	V3150	WS1 SPLIT RING	
15	V3105	O-RING 215	
Not Shown	V3474	WS ALT MAV 1/125 CORD 8FT BLK	

SPARE PARTS 3-WAY VALVE 1.5" PLASTIC

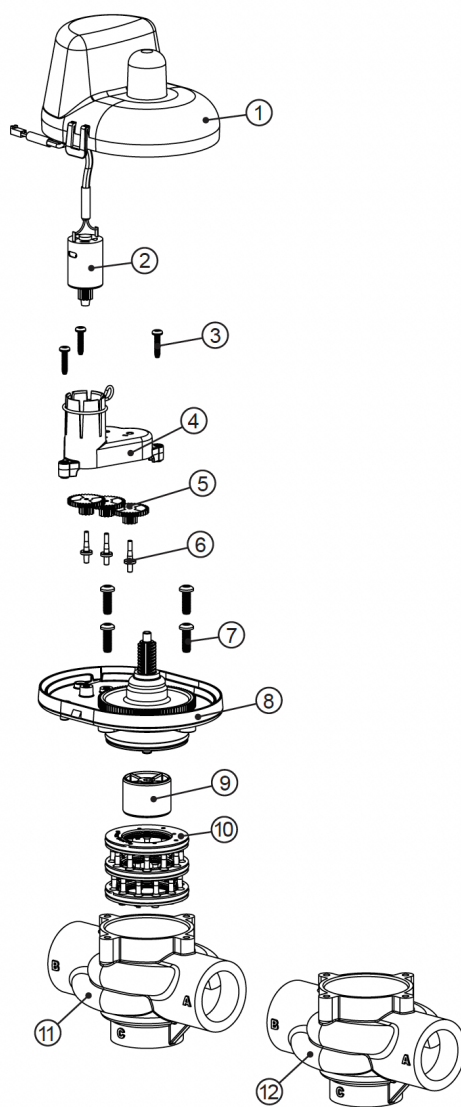
4.0

Clack Valves



Ref.	Code	Description	€
1	V3073	MAV/NOHWBY COVER ASY	
2	V3476	WS MOTOR ASY 8 FT	
3	V3592	SCREW #8-1 PHPN T-25 SS	
4	V3262-01	WS REDUCTION GEAR COVER ASY	
5	V3110-01	WS1 DRIVE REDUCING GEAR PLAIN	
6	V3264	WS2 BYPASS REDUCTION GEAR AXLE	
7	V3527	SCREW 1/4-20 X 1 BHSCS SS (5/32" HEX ALLEN WRENCH REQUIRED)	
8	V3072	MAV/NOHWBY 1/125/15 DRIVE ASY	
9	V3506-01	MAV/NOHRD 1/125/15 PISTON	
10	V3074	MAV 1/125/15 STACK ASY	
11	V4368	WS1.5P MAV BONDED BODY	
12	V3042	WS1/1.25/1.5 MAV & NHWB SERVICE PACK	
NS	V3474	WS ALT CONNECT CORD 8FT BLK	

SPARE PARTS 3-WAY VALVE 1.5" 3H

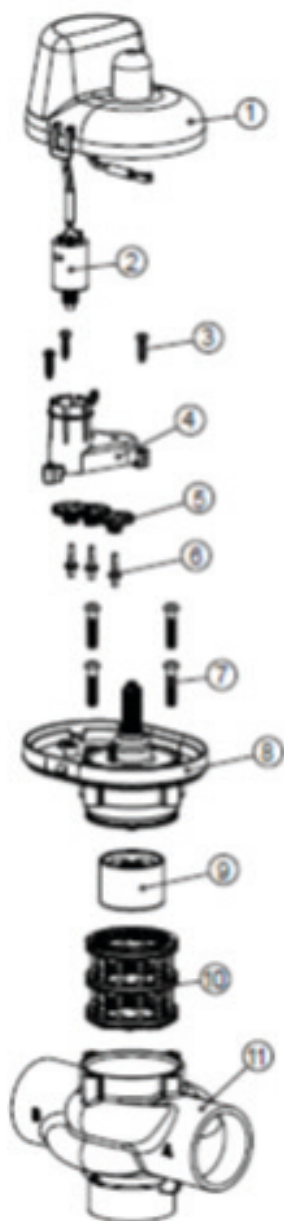


Ref.	Code	Description	€
1	V3073	MAV/NOHWBY COVER ASY	
2	V3476	WS MOTOR ASY 8 FT	
3	V3592	SCREW #8-3/4 PHPN T-25 SS	
4	V3262-01	WS1.5&2ALT/2BY REDUCGEARCVRAS	
5	V3110-01	WS1 DRIVE REDUCING GEAR PLAIN	
6	V3264	WS2 BYPASS REDUCTION GEAR AXLE	
7	V3527	SCREW 1/4-20 X 3/4 BHSCS SS	
8	V3072	MAV/NOHWBY 1/125/15 DRIVE ASY	
9	V3506-01	MAV/NOHRD 1/125/15 PISTON	
10	V3074	MAV/NOHWBY 1/125/15 STACK ASY	
12	V3525BSPT-01	MAV BODY 1.5 BSPT	
Not Shown	V3474	WS ALT CONNECT CORD 8FT BLK	

SPARE PARTS 3-WAY VALVE 2"

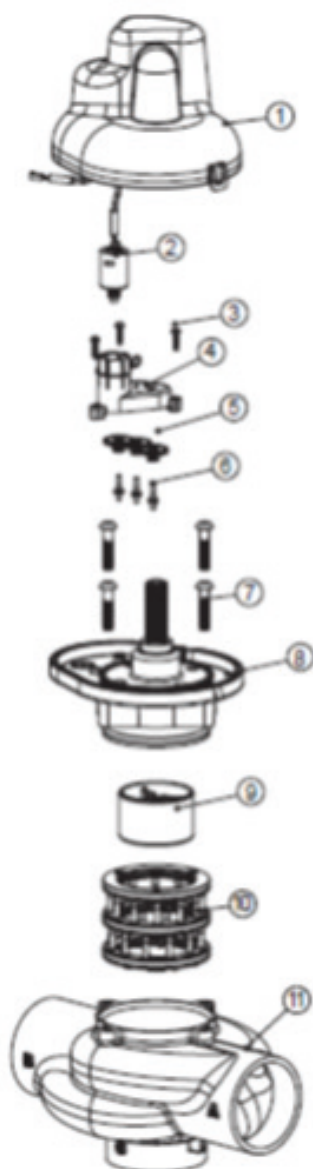
4.0

Clack Valves



Ref.	Code	Description	€
1	V3073	MAV/NOHWBY COVER ASY	
2	V3476	WS MOTOR ASY 8 FT	
3	V3592	SCREW #8-3/4 PHPN T-25 SS	
4	V3262-01	WS1.5&2ALT/2BY REDUCGEARCVRAS	
5	V3110-01	WS1 DRIVE REDUCING GEAR PLAIN	
6	V3264	WS2 BYPASS REDUCTION GEAR AXLE	
7	V3527	SCREW 1/4-20 X 3/4 BHSCS SS	
8	V3078	MAV/NOHWBY 2 DRIVE ASY	
9	V3634-01	MAV/NOHWBY 2 PISTON	
10	V3077	MAV/NOHWBY 2 STACK ASY	
11	V3633BSPT-01	WS2 MAV BODY BSPT	
Not Shown	V3474	WS ALT CONNECT CORD 8FT BLK	

SPARE PARTS 3-WAY VALVE 3"



Ref.	Code	Description	€
1	V3696	WS3 COVER ASY	
2	V3476	WS MOTOR ASY 8 FT	
3	V3592	SCREW #8-3/4 PHPN T-25 SS	
4	V3262-01	WS1.5,2,3 REDUCGEARCVASY	
5	V3110-01	WS DRIVE REDUCING GEAR PLAIN	
6	V3264	WS BYPASS REDUCTION GEAR AXLE	
7	V3789	SCREW 3/8-16 x 1 3/4 BHSCS SS 7/32" hex allen wrench required)	
8	V3085	WS3 MAV DRIVE CAP	
9	V3695-01	MAV/3" PISTON	
10	V3084	MAV/STACK ASY 3"	
11	V3693BSPT-01	WS3 MAV BODY BSPT	
Not Shown	V3474	WS ALT CONNECT CORD 8FT BLK	

ADJUSTMENT TABLE FOR SOFTENERS

For Up-Flow versions, scale the injector by two sizes.

WS1 & WS1.25 Twin Injectors			DLFC GPM
		Tank Diameter	
Injector	Injector Color	Downflow	
V3010-1A	Black	6"	1
V3010-1B	Brown	7"	1,3
V3010-1C	Violet	8"	1,7
V3010-1D	Red	9"	2,2
V3010-1E	White	10"	2,7
V3010-1F	Blue	12"	3,2
V3010-1G	Yellow	13"	4,2
V3010-1H	Green	14"	5,3
V3010-1I	Orange	16"	7,5
V3010-1J	Light Blue	18"	9
V3010-1K	Light Green	21"	10

WS1.5 Injectors			
		Tank Diameter	
Injector	Injector Color	Downflow	
V3010-15D	White	14"	5,3
V3010-15E	Blue	16"	7,5
V3010-15F	Yellow	18"	9
V3010-15G	Green	21"	10
V3010-15H	Orange	24"	17
V3010-15I	GREY (Machined)	30"	25

WS2 & WS2 QC Injectors			
		Tank Diameter	
Injector	Injector Color	Downflow	
V3010-2R-15B	Violet	12"	3,2
V3010-2S-15C	Red	13"	4,2
V3010-2T-15D	White	14"	5,3
V3010-2U-15E	Blue	16"	7,5
V3010-2A	Black	18"	9
V3010-2B	Black	21"	10
V3010-2C	Black	24"	17
V3010-2D	Black	30"	25
V3010-2E	Black	36"	35
V3010-2F	Black	42"	50
V3010-2G	Black	48"	70

WS3 Injectors			
		Tank Diameter	
Injector	Injector Color	Downflow	
V3010-2A	Black	18"	9
V3010-2B	Black	21"	10
V3010-2C	Black	24"	17
V3010-2D	Black	30"	25
V3010-2E	Black	36"	35
V3010-2F	Black	42"	50
V3010-2G	Black	48"	70
V3010-2H	GREY (Machined)	63"	100

