





11.0

**Brine cabinets, brine
vats and softening
accessories •
Hydropneumatic and
manual valves**

11.1 CABINETS AND SALT VATS

282

PEARL SERIES CABINETS 282

PEARL MINI SERIES	284
SERIE PEARL MAXI	285
PEARL SERIES ACCESSORIES	285

UNDER-SINK CABINETS 286

BINGO SERIES	286
MICRO WL SERIES	286
SERIES UNDER	286
CABINETS EUROPE SERIES	287
MINIBOX SERIES EUROPE	287
MAXIBOX SERIES EUROPE	287
SERIES EUROPE SPARE PARTS	287
CWS SERIES CABINETS	288
WL10 SERIES CABINETS	288

BRINE VATS 289

BRINE VATS WITHOUT ACCESSORIES	289
TSCAN SERIES BRINE VATS WITH ACCESSORIES	289
BRINE VATS WITH ACCESSORIES	289
PERMANGANATE VATS	290

ACCESSORIES FOR CABINETS AND SALT VATS 290

TSE SALT VAT GRATES	290
MANHOLES	290
COVERS	290

11.2 SOFTENING ACCESSORIES

291

CHLORINE GENERATORS 291

UNIVERSAL MODEL	291
MODEL FOR CLACK VALVES	291
CHLORINE GENERATOR ELECTRODE FOR RUNXIN VALVE F79/F82	291
CHLORINE GENERATOR ELECTRODE FOR LOGIX VALVE	292
SPARE PARTS FOR CHLORINE GENERATORS	292

SALT LEVEL ALARMS	292
SALT DETECT	293
SALT GUARD	293
BRINE SUCTION ACCESSORIES FOR AUTOTROL	293
ACCUMULATION-LIMIT TIME	293
BRINE VALVES	293
SPEAKER TUBES	294
BACKGROUND SPEAKERS	294
SUBVALVE	295
FLEXIBLE PIPES	295
EXTENSIONS - REDUCTIONS - CAPS	295
EXTENSION CORDS	295
REDUCTIONS	295
CAPS	295

11.3 CAST-IRON HYDROPNEUMATIC VALVES **296**

TWO-WAY NO/NC DIAPHRAGM VALVES FOR FLUIDS	296
HYDROPNEUMATIC VALVE ACCESSORIES	296
ORIGINAL	296
SET)	296
PINS	296
NBR MEMBRANES	297
SEALS	297

11.4 MANUAL VALVES **298**

IN/OUT VALVES	298
VALVES IN/OUT PLUG CLACK 3/4"	298
VALVES WITH MANUAL BACKWASH	299

11.1 CABINETS AND SALT VATS PEARL SERIES CABINETS

Pearl
softener
cabinet

- White/black cab body
- Blue/black/transparent cab cover
- Salt cover
- Well complete with accessories
- Cylinder Ø 7" to 10"



11.0

Cabinets, brine vats and softening accessories • Hydropneumatic and manual valves



White body
transparent blue lid



Black body
smoked black lid



White body
Transparent cover.



Innovative Design

Defined and linear shapes



Customisation

Choice of colour (on minimum batches) and branding customisation possibilities



VERSATILITY

Valve cover suitable for the main valves on the market



Italianness

Designed and manufactured entirely in Italy



- completeness

One-piece cabin cruiser with cockpit



Functional packaging

Single packaging until final assembly

Pearl, the new one-piece cabinet for domestic water softeners designed and manufactured by Water Line entirely in Italy is a real gem in terms of design, versatility and functionality.

The linearity of the shapes and the colour variants make it a modern design object, suitable to be placed in different environments, without renouncing functionality: consisting of a linear body with dedicated housing for universal Water Line chlorine generators, it is completed by a cover with a semi-transparent front, which can be removed without interfering with the valve.

Pearl is also extremely versatile thanks to its high level of compatibility: it is able to accommodate 99% of the valves on the European market such as Autotrol, Canature, Clack, Fleck, Runxin. Particular attention in the product design was also paid to the packaging: the cabinets feature functional packaging designed to remain unique from the first assembly to the transformation into a finished softener.

Valve cover designed to accommodate valves

Clack Valve
Autotrol 255 Logix
Runxin
Canature
Fleck 5600

Version with accessories includes

Well
Cockpit cap
Overflow

PEARL MINI SERIES

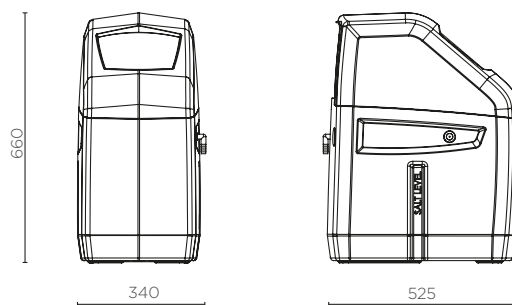
Food-grade HDPE Monobloc Body

ABS lid

Brine lid in food-grade HDPE

Overall dimensions LxWxH: 34x52.5x66 cm

Canisters from: 7x17 - 8x17 - 9x17 - 10x17

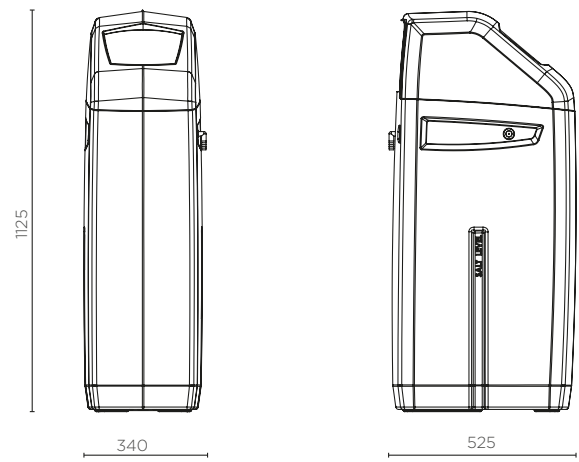


Code	Model	Body	Cover	Cylinder	€
CBWP0717BA	MINI PEARL	WHITE	LIGHT BLUE	7X17	
CBWP0717BT	MINI PEARL	WHITE	CLEAR	7X17	
CBWP0717NN	MINI PEARL	NEGRO	FUMÉ	7X17	
CBWP0817BA	MINI PEARL	WHITE	LIGHT BLUE	8X17	
CBWP0817BT	MINI PEARL	WHITE	CLEAR	8X17	
CBWP0817NN	MINI PEARL	NEGRO	FUMÉ	8X17	
CBWP0917BA	MINI PEARL	WHITE	LIGHT BLUE	9X17	
CBWP0917BT	MINI PEARL	WHITE	CLEAR	9X17	
CBWP0917NN	MINI PEARL	NEGRO	FUMÉ	9X17	
CBWP1017BA	MINI PEARL	WHITE	LIGHT BLUE	10X17	
CBWP1017BT	MINI PEARL	WHITE	CLEAR	10X17	
CBWP1017NN	MINI PEARL	NEGRO	FUMÉ	10X17	

SERIE PEARL MAXI

Food-grade HDPE Monobloc Body
 ABS lid
 Brine lid in food-grade HDPE

Overall dimensions LxWxH: 34x52.5x112.5 cm
 Canisters from: 7x17 - 8x17 - 9x17 - 10x17



Code	Model	Body	Cover	Cylinder	€
CBWP0735BA	MINI PEARL	WHITE	LIGHT BLUE	7X35	
CBWP0735BT	MINI PEARL	WHITE	CLEAR	7X35	
CBWP0735NN	MINI PEARL	NEGRO	FUMÈ	7X35	
CBWP0835BA	MINI PEARL	WHITE	LIGHT BLUE	8X35	
CBWP0835BT	MINI PEARL	WHITE	CLEAR	8X35	
CBWP0835NN	MINI PEARL	NEGRO	FUMÈ	8X35	
CBWP0935BA	MINI PEARL	WHITE	LIGHT BLUE	9X35	
CBWP0935BT	MINI PEARL	WHITE	CLEAR	9X35	
CBWP0935NN	MINI PEARL	NEGRO	FUMÈ	9X35	
CBWP1035BA	MINI PEARL	WHITE	LIGHT BLUE	10X35	
CBWP1035BT	MINI PEARL	WHITE	CLEAR	10X35	
CBWP1035NN	MINI PEARL	NEGRO	FUMÈ	10X35	

PEARL SERIES ACCESSORIES

Code	Description	€
CBWP00010A	Transparent Blue Pearl Lid	
CBWP00010N	Transparent Black Pearl Lid	
CBWP00010T	Transparent Pearl Lid	
CBWP00015N	Black brine lid	

UNDER-SINK CABINETS

BINGO SERIES

Food-grade PE monobloc body
 Brine lid in PP
 Overall dimensions LxWxH: 28x48x35.5 cm
 Canisters from: 7 "x13"



Version with accessories includes

Well
 Cockpit cap
 Overflow

Code	Description	€
CB100022	BINGO white cabin cruiser with empty salt lid without accessories	
CB100023	White BINGO cabin cruiser with salt cover complete with accessories	
CB100024	BINGO white cabin cruiser with salt cover complete with 7x13 cylinder and accessories	

MICRO WL SERIES

One-piece body in food-grade HDPE
 ABS enclosure lid
 7 "x13" cylinders can be inserted
 Overall dimensions LxWxH: 20x36x36.5 cm



Code	Description	€
CB300713GB	MICRO cabin cruiser grey/blue complete with 7x13 IDROPRO cylinder	
CB300713GN	MICRO cabin cruiser grey/black complete with 7x13 IDROPRO cylinder	
CB300713WW	MICRO white/white cabin cruiser complete with 7x13 IDROPRO cylinder	

SERIES UNDER

Food-grade PE monobloc body
 Brine lid in PP
 Overall dimensions LxWxH: 22.5x43.5x35.5 cm
 Canisters from: 7 "x13"



Code	Description	€
CB100020	Cabin UNDER white with empty salt cover without accessories	
CB100021	Cabin UNDER white with salt cover complete with 7x13 cylinder	

ACCESSORIES

Code	Description	€
CB100025	Salt cover for UNDER cab	

CABINETS EUROPE SERIES

Valve cover designed to accommodate valves

Siata V132
 Fleck 4600/5000/5600/6600/6700
 Autotrol 255 Logix
 1" Clack valve

Version with accessories includes

Well
 Cockpit cap
 Overflow



MINIBOX SERIES EUROPE

Food-grade PE monobloc body
 PP Food Grade Valve Covers
 Food grade PP brine lid
 Overall dimensions LxWxH: 32x48x65.5 cm
 Canisters from: 7x17 - 8x17 - 9x17

Code	Description	€
CB100120	MINIBOX EUROPA white cabin cruiser with empty slide without accessories	
CB100130	MINIBOX EUROPA white cabin cruiser with slide complete with accessories	

MAXIBOX SERIES EUROPE

- Overall dimensions LxWxH: 32x48x112 cm
- Canisters from: 7x35 - 8x35 - 9x35

Code	Description	€
CB100220	MAXIBOX EUROPA white cabinet with empty slide without accessories	
CB100230	MAXIBOX EUROPA white cabin cruiser with slide complete with accessories	

SERIES EUROPE SPARE PARTS

Code	Description	€
CB100202	Black salt cover for Europa-Bingo-Evolution cabin cruisers	
CB100018	Blue cover with slide for Europa cabin cruiser	

CWS SERIES CABINETS

Food-grade PE monobloc body

Sliding valve cover

Valve cover designed to accommodate valves

1" Clack valve

Runxin Valve and Canature

Autotrol 255 Logix and Fleck residential valves

Version with accessories includes

Well

Cockpit cap

Overflow

Overall dimensions LxWxH: 18 350x520x705cm - 35" : 350x520x1130



Code	Description	€
CBCWS0018GG	Clack cabin cruiser CWS18 MINI grey sliding cover complete with cockpit and SBV	
CBCWS0818GG	Clack cabin cruiser CWS18 MINI grey sliding cover complete with cockpit, SBV and Ø 8" cylinder	
CBCWS0918GG	Clack cabin cruiser CWS18 MINI grey sliding cover complete with cockpit, SBV and Ø 9" cylinder	
CBCWS1018GG	Clack cabin cruiser CWS18 MINI grey sliding cover complete with cockpit, SBV and Ø 10" cylinder	
CBCWS0035GG	Clack CWS35 MAXI grey sliding cover cabin cruiser complete with cockpit and SBV	
CBCWS0835GG	Clack cabin cruiser CWS35 MAXI grey sliding cover complete with cockpit, SBV and Ø 8" cylinder	
CBCWS0935GG	Clack cabin cruiser CWS35 MAXI grey sliding cover complete with cockpit, SBV and Ø 9" cylinder	
CBCWS1035GG	Clack cabin cruiser CWS35 MAXI grey sliding cover complete with cockpit, SBV and Ø 10" cylinder	
CBCWS1135GG	Clack cabin cruiser CWS35 MAXI grey sliding cover complete with cockpit, SBV and Ø 11" cylinder	

WL10 SERIES CABINETS

Food-grade PE monobloc body

Food-grade PP valve covers

Food grade PP brine lid

Valve cover designed to accommodate valves

1" Clack valve

Runxin Valve and Canature

Autotrol 255 Logix and Fleck residential valves

Version with accessories includes

Well

Cockpit cap

Overflow

Overall dimensions LxWxH: 18 350x520x705cm - 35" : 350x520x1130



Code	Description	€
CB360817GNC	WL10 Mini Cabin/Cover black with 8 x 17 cylinder complete with accessories	
CB361017GNC	WL10 Mini/Cover black with 10 x 17 cylinder complete with accessories	
CB360835GNC	WL10 Maxi Cabin/Cover black with 8 x 35 cylinder complete with accessories	
CB361035GNC	WL10 Maxi Cabin/Cover black with 10 x 35 cylinder complete with accessories	

Overall dimensions LxWxH: 18 350x520x705cm - 35" : 350x520x1130

Code	Description	€
CB360817GWAC	WL10 Mini/Cover white cabin cruiser with blue band 8 x 17 cylinder complete with accessories	
CB361017GWAC	WL10 Mini/Cover white cabin cruiser with blue 10 x 17 cylinder band complete with accessories	
CB360835GWAC	WL10 Maxi Cabin/Cover white with blue band 8 x 35 cylinder complete with accessories	
CB361035GWAC	WL10 Maxi Cabin/Cover white with blue band 10 x 35 cylinder complete with accessories	



BRINE VATS

BRINE VATS WITHOUT ACCESSORIES

Code	Description	€
TSH00040	Round salt vat 40 l Ø 34 x h 45 empty	
TSH00075	Round salt vat 75 l Ø 34 x h.89 empty	
TSE00040	Square salt vat 40 l 31x 31 x h.44 empty	
TSE00075	Square salt vat 75 l. 31 x 31 x h.89 empty	
TSE00105	Salt vat 100 l Ø 47 x h.63 empty.	
TSE00150	Salt vat 150 l Ø 53 x h.75 empty	
TSE00200	Salt vat 200 l Ø 53 x h.100 empty	
TSE00300	Salt vat 300 l Ø 62 x h.106 empty.	
TSE00500	Salt vat 520 litres Ø 86 x h.115 empty	
TSSD0500	Salt vat 500 l Ø 82 x h.107 empty	
TSSD0800	Salt vat 800 litres Ø 100 x h.120 empty	
TSSD1000	Salt vat 1000 l Ø 116 x h.125 empty	
TSSD1500	Salt vat 1500 litres Ø 122 x h.134 empty	



TSCAN SERIES BRINE VATS WITH ACCESSORIES

Code	Description	€
TSCAN0070	Salt vat 70 l d400 x h815 with well, cap, grate	
TSCAN0100	Salt vat 100 l d460 x h875 with well, cap, grate	
TSCAN0145	Salt vat 145 l d516 x h950 with well, cap, grate	
TSCAN0200	Salt vat 200 l d585 x h1040 with well, cap, grate	
TSCAN0350	Salt vat 350 l d740 x h1275 with well, cap, grid	
TSCAN0500	Salt vat 500 l d840 x h1335 with well, cap, grate	
TSCAN0750	Salt vat 750 l d960 x h1395 with well, cap, grate	
TSCAN1000	Salt vat 1000 l d1080 x h1460 with well, cap, grate	
TSCAN1500	Salt vat 1500 l d1240 x h1575 with well, cap, grid	
TSCAN2000	Salt vat 2000 l d1360 x h1690 with well, cap, grid	



BRINE VATS WITH ACCESSORIES

Code	Description	€
TSH00041	Round salt vat 40 l Ø 34 x h 45 complete with well, plug and overflow	
TSH00076	Round salt vat 75 l Ø 34 x h.89 complete with well, plug and overflow	
TSE00041	Square salt vat 40 l 31 x 31 x h.44 complete with well, plug and overflow	
TSE00076	Square salt vat 75 l. 31 x 31 x h.89 complete with well, cap and overflow	
TSE00106	Salt vat 100 l Ø 47 x h.63 complete with well, plug and overflow	
TSE00151	Salt vat 150 l Ø 53 x h.75 complete with well, plug and overflow	
TSE00201	Salt vat 200 l Ø 53 x h.100 complete with well, plug and overflow	
TSE00301	Salt vat 300 l Ø 62 x h.106 complete with well, plug and overflow	
TSE00501	Salt vat 520 litres Ø 86 x h.115 complete with well and overflow	
TSSD0501	Salt vat 500 l Ø 82 x h.107 complete with well and overflow	
TSSD0801	Salt vat 800 litres Ø 100 x h.120 complete with well and overflow	
TSSD1001	Salt vat 1000 l Ø 116 x h.125 complete with well and overflow	
TSSD1501	Salt vat 1500 litres Ø 122 x h.134 complete with well and overflow	



PERMANGANATE VATS

Code	Description	€
FZA99351	Potassium permanganate preparation vat KMnO4 complete with float valve	
FZA99352	Replacement float valve for permanganate vat	



ACCESSORIES FOR CABINETS AND SALT VATS

TSE SALT VAT GRATES

Code	Description	€
ARI00250	Plastic grid for vat 100 l - h 90 mm	
ARI00260	Plastic grid for vat 150 l - h 220 mm	
ARI00270	Plastic grid for vat 200 l - h 220 mm	
ARI00280	Plastic grating for salt vat 300 l - h 300 mm	
ARI00290	Plastic grid for salt vat 520 l - h 400 mm	

MANHOLES

Code	Description	€
ARICA709	Ø5 cm well for h13" (Micro and Under cab)	
ARI00203	Well Ø10 cm h.58 cm for 100 l TSE vat	
ARI00204	Well Ø10 cm h.100 cm for 100 l TSH and 300 l vat	
ARI00205	Ø10 cm h.70 cm well for 150 litre vat and MIDI cabinets	
ARI00206	Well Ø10 cm h.93 cm for 200 litre vat	
ARI00210	Well Ø10 cm h.38 cm for 40 litre vats and MINI cabinets	
ARI00212	Well Ø10 cm h.80 cm for 75 litre vats and MAXI cabinets	
ARI00223	Well Ø16 cm for 520 l TSE vat	
ARI00220	Well Ø20 cm h.80 cm for 500 l vat TSCAB	
ARI00222	Well Ø20 cm h.125 cm for vat 1000 l TSCAB	
ARI00240	Round plastic cap for Ø10 well	
ARICA710	Moulded cockpit for cabin cruiser H=17" complete with cap	
ARICA712	Moulded cockpit for cabin cruiser H=35" complete with cap	
ARICA714	Moulded cockpit for cabin cruiser H=44" complete with cap	



COVERS

Code	Description	€
ARI00313	Light blue lid for round vats TSH 40 - 75 - 100 litres	
ARI00314	Black lid for TSE 40 - 75 litre square vats	
ARI00312	White lid for TSE round vat 100 l	
ARI00315	White lid for round vats TSE 150 - 200 l	

11.2 SOFTENING ACCESSORIES

CHLORINE GENERATORS

UNIVERSAL MODEL

Progen 3/8" Universal Chlorine generator for resin disinfection with transformer and titanium electrode

Code	Description	€
------	-------------	---

ARI00570	PROGEN Chlorine generator kit 3/8" JACO	
----------	---	--



Progen 1/2" Universal Chlorine generator for resin disinfection with transformer and titanium electrode

Code	Description	€
------	-------------	---

ARI00571	PROGEN Chlorine generator kit 1/2" JACO	
----------	---	--



MODEL FOR CLACK VALVES

Chlorine generator for Clack valve with titanium electrode, Clack fitting and without transformer

Code	Description	€
------	-------------	---

ARI00572	PROGEN chlorine generator kit with Clack suction elbow for indoor installation	
----------	--	--



ARI00578	PROGEN chlorine generator kit internal mounting 3/8" JACO for Clack	
----------	---	--



ARI00579	PROGEN chlorine generator kit external mounting 3/8" JACO for Clack	
----------	---	--



CHLORINE GENERATOR ELECTRODE FOR RUNXIN VALVE F79/F82

Code	Description	€
------	-------------	---

ARI00577	PROGEN cell kit for Runxin valve	
----------	----------------------------------	--



CHLORINE GENERATOR ELECTRODE FOR LOGIX VALVE

Code	Description	€
ARI00573	WL Logix style cell kit	



SPARE PARTS FOR CHLORINE GENERATORS

Code	Description	€
ARI00570/5	Replacement electrode kit for chlorine-producing cell	
ARI00574	PROGEN 3/8" JACO chlorine generator replacement kit	
ARI00575	PROGEN 1/2" JACO chlorine generator replacement kit	
ARI00576	PROGEN Replacement kit chlorine generator elbow suction Clack	



SALT LEVEL ALARMS

SALT DETECT

Salt Detect' is specially designed for domestic and industrial water softeners. This detection system can be hung on the wall with double Velcro tape and/or screws. A small electrical box with power supply, built-in alarm signal and LED indicator light is connected to a sensor that monitors the salt level from above. This complete implant can fit in the palm of your hand.

The light signals are obtained thanks to two LED bulbs: "green" continuous light in the absence of an alarm and "red" flashing in the event of an alarm. You can choose whether to set the acoustic signal to a high or low tone or to switch it off with a switch, while the light indicators remain active and visible at all times. Only when the alarm goes off should the vat be filled above the minimum detection line set by the technician. In other words, you will not have to fill the salt vat completely, and in case you do not have a sufficient supply of salt, even a small amount may be enough to automatically switch off the alarm. The detection range is between 11cm and 120cm and can therefore be mounted on any type of salt vat. The detection distance is determined using a 'teach-function' button that must be held down for 2 seconds. The setting remains stored even in the event of a power failure. This unit is available in both a 220 Vac/CE version with interchangeable plugs for various European countries, and a 110 Vac/UL + CUL version with an American/Canadian plug.



Code	Description	€
ARI00601	Salt Detect model salt alarm device 220V - 50Hz power supply	

SALT GUARD

This 'wireless salt level alarm system' is designed specifically for home water softeners and operates by means of a transmitter and receiver.

The transmitter is connected via a plastic cable, which can be easily adjusted to any length, to a weight placed over the salt. When the weight tensions the plastic cable, the transmitter moves to a vertical position and then sends a signal (up to a range of 25 metres indoors) to the receiver (equipped with a built-in magnet, to be hung on the refrigerator, for example), which in turn emits an intermittent light signal every 3 seconds. When it is time to add salt, press the 'reset' button on the receiver. Batteries should be replaced once a year (a set of batteries is included in delivery). Ideal for new installations and resale.



Code	Description	€
ARI00600	Salt Guard model battery-powered salt alarm device	



BRINE SUCTION ACCESSORIES FOR AUTOTROL

Code	Description	€
ARI00320	Mesh diffuser filter for brine suction Autotrol valve without 3/8" hose	
ARI00330	PVC hose Ø 3/8" length 100 cm complete with Autotrol brine suction diffuser filter	
ARI00331	PVC pipe Ø 3/8" length 100 cm without diffuser filter	

ACCUMULATION-LIMIT TIME

Code	Description	€
ARI00300	Rubber overflow fitting 3/8" complete with nut	
ARI00310	Rubber overflow fitting 1/2" complete with nut	

BRINE VALVES

Code	Description	€
BR1-100/05	Siata brine valve BR1 height 100 cm pipe Ø 3/8"	
ARI00367	Clack 454 3/4" brine valve	
ARICA701	Brine valve 3/8 H=13" (cm 28.5)	
ARICA700	Brine valve 3/8 H=17" (cm 34.5)	
ARICA702	Brine valve 3/8 H=35" (cm 72.5)	
ARICA704	Brine valve 3/8 H=44" (cm 91.3)	
H4915	Fitting kit 1" for brine valve 494 Polytube connections	
H4940	SBV CLACK 494 1" senza Air Check	
H4950-60	Air check complete 1700 length 60"	

SPEAKER TUBES

Ø 21 mm

Code	Description	€
ARI00359	Rigid PVC pipe Ø ext. 21 mm length 120 cm	
ARI00360	Rigid PVC pipe Ø ext. 21 mm length 150 cm	

Ø 27 mm

Code	Description	€
ARI00364	Rigid PVC pipe Ø ext. 27 mm length 116 cm	
ARI00365	Rigid PVC pipe Ø ext. 27 mm length 160 cm	

Ø 32 mm

Code	Description	€
ARI00362	Rigid PVC pipe Ø ext. 32 mm length 150 cm	
ARI00361	Rigid PVC pipe Ø ext. 32 mm length 195 cm	

Ø 50 mm

Code	Description	€
ARI00369	Rigid PVC pipe Ø ext. 50 mm length 195 cm	

Ø 63 mm

Code	Description	€
ARI00335	Rigid PVC pipe Ø ext. 63 mm length 195 cm	

Ø 90 mm

Code	Description	€
ARI00336	Rigid PVC pipe Ø ext. 90 mm length 195 cm	

PIPES WITH BOTTOM DISTRIBUTOR

Code	Description	€
ARICA720	Distributor tube Ø ext. 27 H=17"	
ARICA722	Distributor tube Ø ext. 27/H'(35)	
ARICA724	Distributor tube Ø ext. 27 H=54"	
ARICA726	Distributor tube Ø ext. 27/H'(65)	

DIFFUSORS BACKGROUND

Ø 21 mm

Code	Description	€
ARI00350	Lower mushroom diffuser nozzle Ø 21 - slots 0.25 mm D/8.7	
ARI00351	Lower mushroom diffuser nozzle Ø 21 - slots 0.25 mm D/8.11	

Ø 27 mm

Code	Description	€
ARI00355	Lower mushroom diffuser nozzle Ø 27 - slots 0.25 mm D/8.7	
ARI00352	Lower mushroom diffuser nozzle Ø 27 - slots 0.25 mm D/8.11	
ARI00356	Lower mushroom diffuser nozzle Ø 27 - slots 0.25 mm DS27	



Ø 32 mm

Code	Description	€
ARI00357	Lower mushroom diffuser nozzle Ø 32 - slots 0.25 mm D/8.7	
ARI00353	Lower mushroom diffuser nozzle Ø 32 - slots 0.25 mm D/8.11	
ARI00349	Lower mushroom diffuser nozzle Ø 32 - slots 0.25 mm DS32	

SUBVALVE

Code	Description	€
ARI00340	Nozzle cracks undervalue bayonet connection Ø 21 mm ADB	
ARI00345	Nozzle cracks undervalue bayonet connection Ø 27 mm ADB	
ARI00347	Nozzle crevices undervalue threaded connection Ø 32 mm ASF32	
ARI00348	Nozzle cracks undervalue bayonet connection Ø 32 mm ASB32	
D1199-05	Under-valve diffuser for Clack QC Ø 63	



FLEXIBLE PIPES

ONLY AVAILABLE IN COMPLETE ROLLS

Code	Description	€
OI022104	Transparent 3/8" PE hose for brine suction, reels of 100 m	
OI022103	Transparent 1/2" PE hose for brine suction, reels of 100 m	



EXTENSIONS - REDUCTIONS - CAPS

EXTENSION CORDS

Code	Description	€
ARI00112	M/F extension for cylinder 2" 1/2 h. 4 cm for RunXin	



REDUCTIONS

Code	Description	€
ARI00400	PVC threaded reduction 4" x 2" 1/2 complete with O-ring	
ARI00410	Threaded PVC reduction 6" x 4" complete with O-ring	



CAPS

Code	Description	€
ARI00420	PVC threaded plug 2" 1/2 complete with O-ring	
ARI00430	4" PVC threaded plug complete with O-ring	
ARI00440	6" PVC threaded plug complete with O-ring	



11.3 CAST-IRON HYDROPNEUMATIC VALVES

TWO-WAY NO/NC DIAPHRAGM VALVES FOR FLUIDS

Two-way inclined seat valve of the integral diaphragm type for all types of fluid with normally open or normally closed operation.

The valve allows the interception of non-aggressive fluids. Opening or closing can be controlled either manually or automatically by simply intercepting the motor fluid via a pilot valve.

Manual control: can be achieved by means of a 1/4" - 1/2" three-way ball valve.

Automatic control: can be achieved by means of a three-way pilot solenoid valve.

Control fluid: The same fluid can be used to intercept. Another fluid may be used as long as it is non-aggressive or compressed air. For the valve to function properly, it is necessary that the motor or control fluid has a pressure at least equal to or greater than that of the fluid to be tapped.



Code	Description	€
41204	Cast Iron Hydropneumatic Diaphragm Valve - NA 3/4"	
41205	Cast iron hydropneumatic diaphragm valve - NA 1"	
41206	Cast iron hydropneumatic diaphragm valve - NA 1" 1/4	
41207	Cast iron hydropneumatic diaphragm valve - NA 1" 1/2	
41208	Cast iron hydropneumatic diaphragm valve - NA 2"	
41209	Cast iron hydropneumatic diaphragm valve - NA 2" 1/2	
41210	Cast iron hydropneumatic diaphragm valve - NA 3"	
41211	Cast Iron Hydropneumatic Diaphragm Valve - NA DN 80	
41212	Cast Iron Hydropneumatic Diaphragm Valve - NA DN 100	
42204	Cast Iron Hydropneumatic Diaphragm Valve - NC 3/4"	
42205	Cast Iron Hydropneumatic Diaphragm Valve - NC 1"	
42206	Cast iron hydropneumatic diaphragm valve - NC 1" 1/4	
42207	Cast iron hydropneumatic diaphragm valve - NC 1" 1/2	
42208	Cast iron hydropneumatic diaphragm valve - NC 2"	
42209	Cast iron hydropneumatic diaphragm valve - NC 2" 1/2	
42210	Cast Iron Hydropneumatic Diaphragm Valve - NC 3"	
42211	Cast Iron Hydropneumatic Diaphragm Valve - NC DN 80	
42212	Cast Iron Hydropneumatic Diaphragm Valve - NC DN 100	

HYDROPNEUMATIC VALVE ACCESSORIES

Code	Description	€
61204	LP2 flow restrictors for hydropneumatic valves Ø 3/4" - 1" 1/2	
61205	LP5 flow restrictors for hydropneumatic valves Ø 2" - 3"	
61206	LP6 flow restrictors for hydropneumatic valves DN 80-100	

ORIGINAL SET)

Code	Description	€
62204NA	Plug for hydropneumatic valves NA 3/4" - 1"	
62205NA	Plug for hydropneumatic valves NA 1" 1/4 - 1" 1/2	
62206NA	Valve plug for hydropneumatic valves NA 2"	
62207NA	Valve plug for hydropneumatic valves NA 2" 1/2	
62208NA	Valve plug for hydropneumatic valves NA 3"	

Code	Description	€
62209NA	Valve plug for hydropneumatic valves NA DN 80	
62210NA	Valve plug for hydropneumatic valves NA DN 100	
62254NC	Plug for hydropneumatic valves NC 3/4" - 1"	
62255NC	Plug for hydropneumatic NC valves 1" 1/4 - 1" 1/2	
62256NC	Valve plug for hydropneumatic valves NC 2"	
62257NC	Plug for hydropneumatic NC valves 2" 1/2	
62258NC	Plug for NC 3" hydropneumatic valves	
62259NC	Valve plug for NC hydropneumatic valves DN 80	
62260NC	Valve plug for NC hydropneumatic valves DN 100	

PINS

Code	Description	€
62304NA	AISI304 pin for hydropneumatic valve plug NA 3/4" - 1"	
62305NA	AISI304 pin for hydropneumatic valve plug NA 1" 1/4-1" 1/2	
62306NA	AISI304 pin for hydropneumatic valve plug NA 2"	
62307NA	AISI304 pin for hydropneumatic valve plug NA 2" 1/2 - 3"	
62308NA	AISI304 pin for hydropneumatic valve plug NA DN80	
62309NA	AISI304 pin for hydropneumatic valve plug NA DN100	
62304NC	AISI304 pin for hydropneumatic valve plug NC 3/4" - 1"	
62305NC	AISI304 pin for hydropneumatic valve plug NC 1" 1/4-1" 1/2	
62306NC	AISI304 pin for hydropneumatic valve plug NC 2".	
62307NC	AISI304 pin for hydropneumatic valve plug NC 2" 1/2 - 3"	
62308NC	AISI304 pin for hydropneumatic valve plug NC DN80	
62309NC	AISI304 pin for hydropneumatic valve plug NC DN100	

NBR MEMBRANES

Code	Description	€
63204	Diaphragms for hydropneumatic valves 3/4" - 1"	
63205	Diaphragm for hydropneumatic valves 1"1/4 - 1"1/2	
63206	Hydropneumatic valve diaphragm 2"	
63207	Diaphragm for hydropneumatic valves 2"1/2 - 3"	
63208	Diaphragms for hydropneumatic valves DN 80	
63209	Diaphragms for hydropneumatic valves DN 100	

SEALS

Code	Description	€
64204	Seals for hydropneumatic valves 3/4" - 1"	
64205	Seals for hydropneumatic valves 1" 1/4 - 1" 1/2	
64206	Seals for hydropneumatic valves 2"	
64207	Seals for hydropneumatic valves 2" 1/2 - 3"	
64208	Seals for hydropneumatic valves DN 80	
64209	Seals for hydropneumatic valves DN 100	

11.4 MANUAL VALVES

IN/OUT VALVES

Code **Description** €

ARI00098 PVC 3/4" 2-way manual cap valve without accessories



ARI00099 PVC 3/4" 2-way manual cap valve complete with accessories

ARI00101 PVC 1" 2-way manual cap valve without accessories



ARI00103 PVC 1" 2-way manual cap valve complete with accessories

D1220-01 CLACK openable 2-way cap valve without accessories



D1400 CLACK 2-way closed cap valve without accessories



VALVES IN/OUT PLUG CLACK 3/4"

Code **Description** €

D7173 890C



VALVES WITH MANUAL BACKWASH

Code	Description	€
ARI00104	ABS manual valve F56A2 1" without accessories	
ARI00105	ABS 1" manual valve F56A2 complete with accessories	
ARI00116	Manual valve F56D 2" IN/OUT - 1" 1/2 Drain - 4" Top-Mount without accessories	
ARI00118	Manual valve F56D 2" IN/OUT - 1" 1/2 Drain - 4" Top-Mount with accessories	
ARI00120	Manual valve F56D 2" IN/OUT - 1" 1/2 Drain - Side-Mount without accessories	

